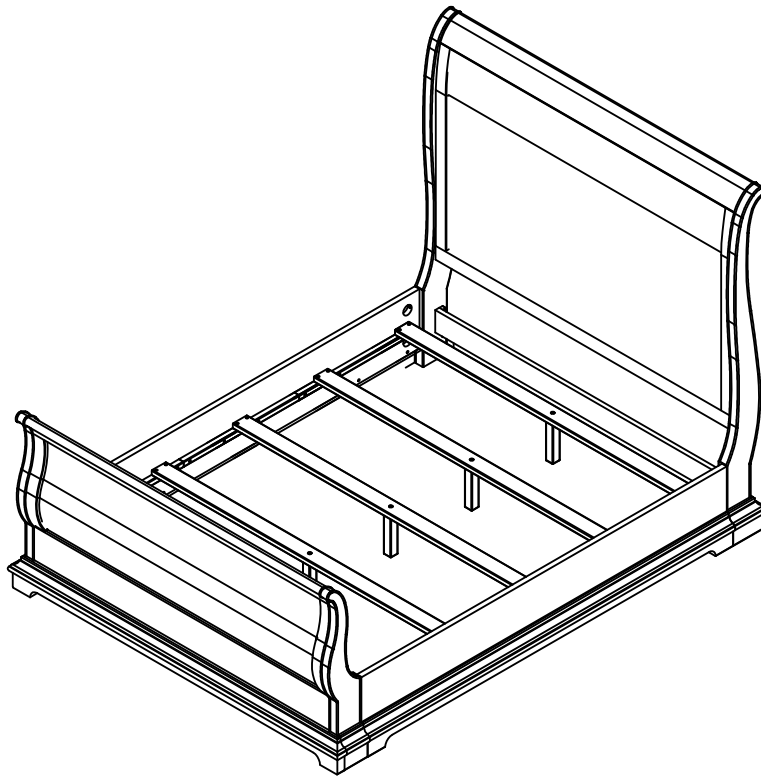


USE AND CARE GUIDE

COLTON QUEEN BED



Questions, problems, missing parts? Before returning to the store,
call Home Decorators Collection Customer Service
8 a.m. - 6 p.m., EST, Monday-Friday

1-800-986-3460

HOMEDEPOT.COM/HDC

THANK YOU

We appreciate the trust and confidence you have placed in Home Decorators Collection through the purchase of this furniture. We strive to continually create quality products designed to enhance your home. Visit us online to see our full line of products available for your home improvement needs. Thank you for choosing Home Decorators Collection!

Table of Contents

Table of Contents	2	Assembly	4
Safety Information	2	Maintenance	6
Lifetime Limited Warranty	2	Care and Cleaning	6
Pre-Assembly	3		
Planning Assembly	3		
Tools Required	3		
Package Contents	3		

Safety Information



WARNING: Handle with care. Do not drop, handle roughly, or overtighten screws as this will cause damage to the wood.

Warranty

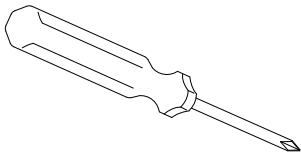
Home Decorators Collection products are manufactured with superior quality standards and workmanship and are backed by a 1-Year Manufacturer's warranty. Home Decorators Collection products are warranted to the original consumer purchaser to be free of defects in materials or workmanship. We will replace FREE OF CHARGE any product or parts that proves defective. Simply, return the product / part to any of The Home Depot retail locations or call 1-800-986-3460 to receive the replacement item. Proof of purchase (original sales receipt) from the original consumer purchaser must be made available for all Home Decorators Collection warranty claims.

This warranty excludes incidental/inconsequential damages and failures due to misuse, abuse or normal wear and tear. This warranty excludes all industrial, commercial & business usage, whose purchasers are hereby, extended a five year limited warranty from the date of purchase, with all other terms of this warranty applying except the duration of warranty.

Some states and provinces do not allow the exclusion or limitation of incidental or consequential damages, so the above limitations may not apply to you. This warranty gives you specific legal rights and you may also have other rights that vary from state to state and province to province. Please see a store or contact 1-800-986-3460 for more details.

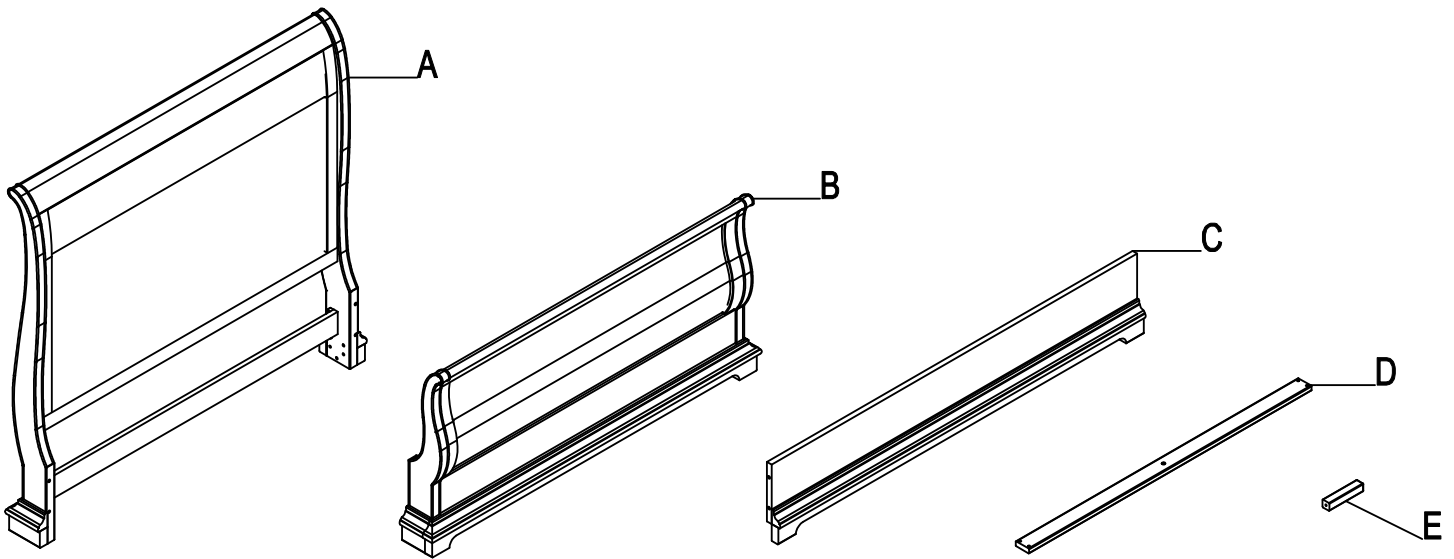
Pre-Assembly

TOOLS REQUIRED



Philips Head Screw Driver

PACKAGE CONTENTS



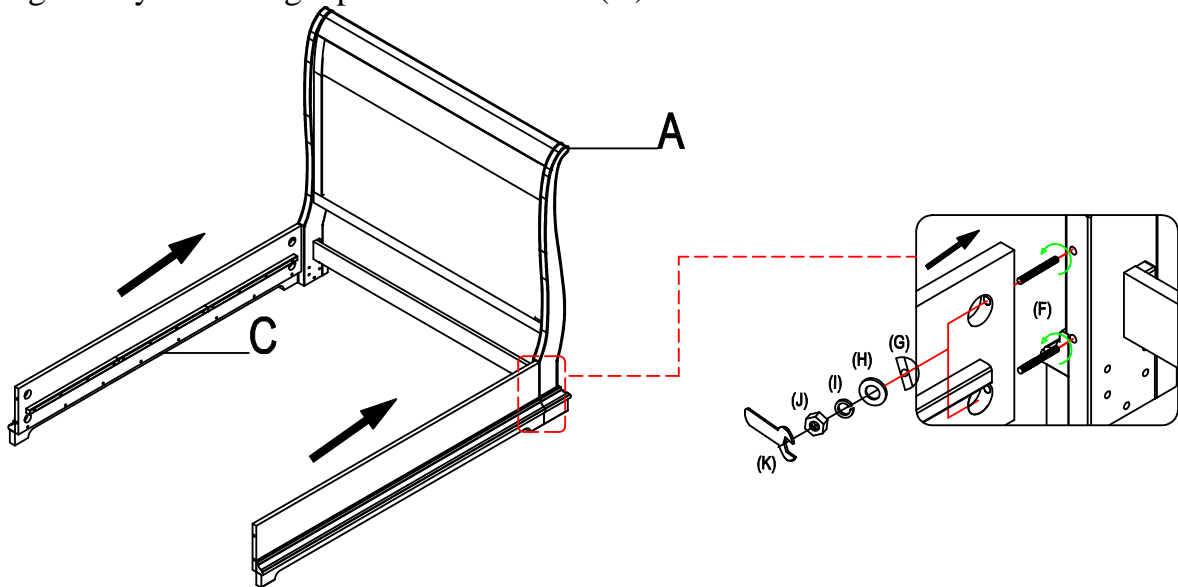
Part	Description	Qty
A	Headboard	1
B	Footboard	1
C	Side Rails	2
D	Slats	5
E	Support Legs	5

Part	Description		Qty
F	Thread Rods	5/16" * L89mm	8
G	Half-moon Washers	29*15*7.5mm	8
H	Flat Washers	5/16" (Ø16)	8
I	Spring Washers	5/16" (Ø12)	8
J	Hex Nuts	5/16" * 12mm	8
K	Open-head Wrench	5/16" - 1x	1
L	Screws	#8 * 25mm	20

Assembly

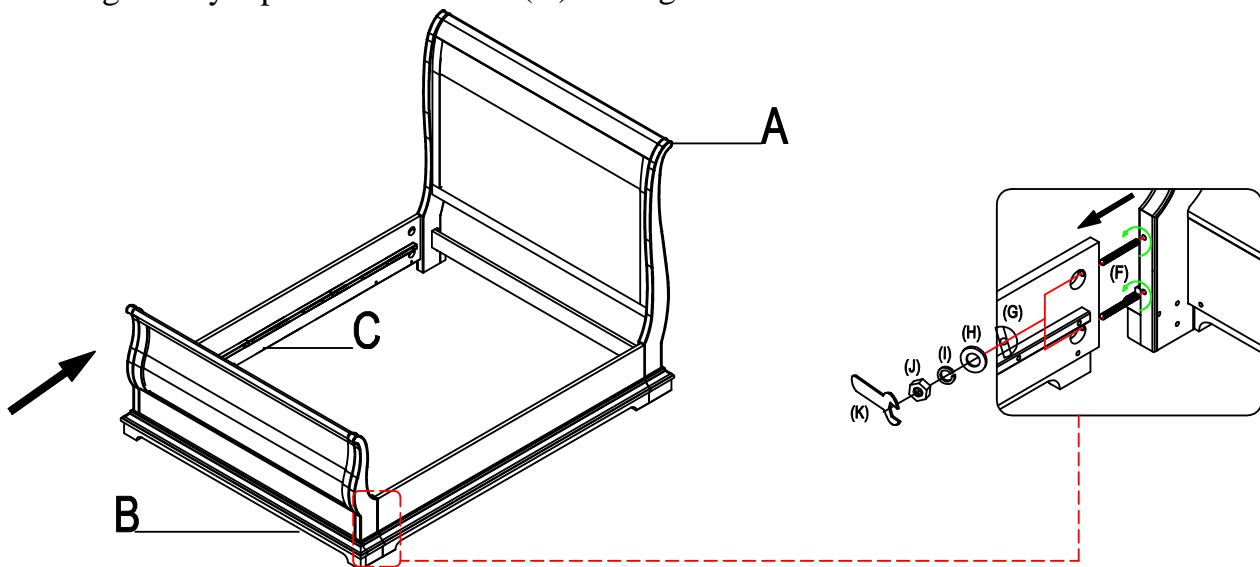
1 Assembly Rails to Headboard

- Insert and tighten Thread Rods (F) to the holes on Headboard (A) legs.
- Stand the headboard, get the rods through the holes on Side Rails (C).
- Insert Half-Moon Washer (G), Flat Washer (H), Spring Washer (I), Hex Nut (J) and tighten by half using Open-head Wrench (K).



2 Assembly Footboard

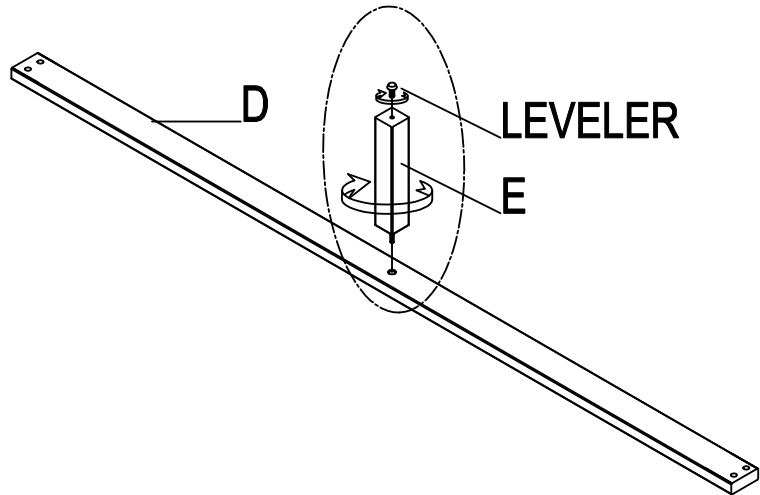
- Install Thread Rods (F) to the holes on Footboard (B).
- Get the rods through the holes on Side Rails (C).
- Insert Half-Moon Washer (G), Flat Washer (H), Spring Washer (I), Hex Nut (J) and tighten by Open-head Wrench (K). Re-tighten all the nuts.



Assembly (continued)

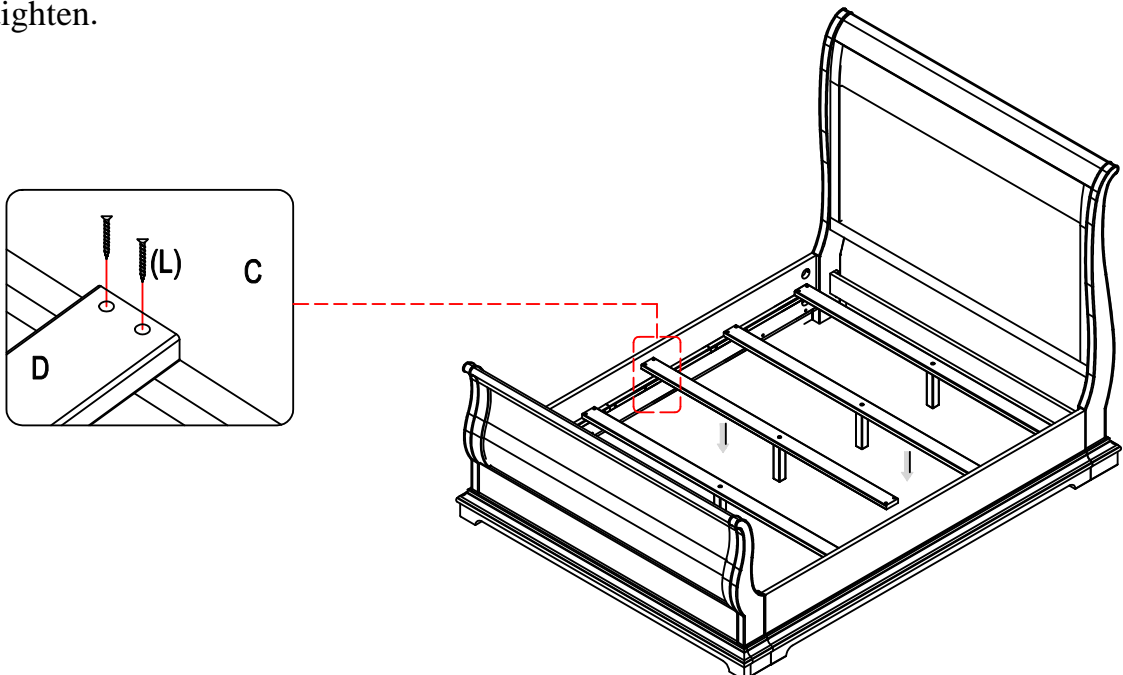
3 Assembly Slats

- Align the bolt on Support leg (E) with the hole at middle of Slat (D).
- Turn the Support Leg clockwise until it is tight.
- Repeat with all Support legs and Slats.



4 Assembly Slats to the bed

- Place the assembled slats on slat hanger bar on Side Rails.
- Secure the slats using Screws (L) by Screw Driver (not provided) as shown. Do not over tighten.



Maintenance

To protect your furniture, we suggest the following: .

- Avoid placing your furniture in direct sunlight, as sunlight causes fading.
- Clean up liquids immediately. Use a blotting rather than a wiping action. Water left over a long period of time will cause white spots in the finish.
- Alcohol, perfume, after-shave and medications can cause severe damage to the finish.

Care and Cleaning

For best results in cleaning and polishing your furniture, we recommend the following:

- Dust frequently with a clean, soft, dry, lint-free cloth. Clean the surface by rubbing in the direction of the grain.
- Polish your furniture approximately every six months with a product that contains detergents, emulsifiers and mineral oil. The detergents clean dirt from the furniture; the emulsifiers give it body to clean and last longer; the mineral oil is left behind as a barrier for dirt and moisture that can harm the finish. There is no grit to harm the finish, no wax build-up, and no silicone to raise the sheen and act as a barrier for touch-ups and refinishing.
- Clean up spills immediately. Use a blotting rather than a wiping action. Water left over a long period of time will cause white spots in the finish.
- Clean the outside surface with mild soap, warm water, and a soft cloth.
- On stubborn stains, use a powdered detergent and damp sponge or nylon scouring pad.
- Never use abrasive scouring powders, cleansers, or pads because they will scratch, damage, and dull the surface.
- Clean the sink surface with mild soap and warm water, then dry with a soft cloth.

HOME DECORATORS COLLECTION

Questions, problems, missing parts? Before returning to the store,
call Home Decorators Collection Customer Service
8 a.m. - 6 p.m., EST, Monday-Friday

1-800-986-3460

HOMEDEPOT.COM/HDC

Retain this manual for future use.