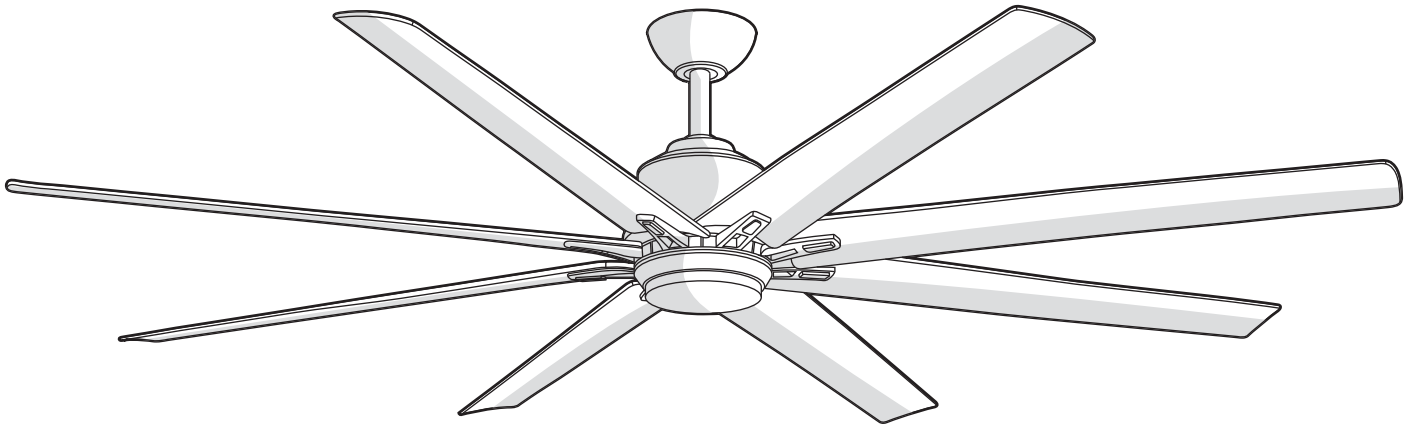


## USE AND CARE GUIDE

---

### KENSGROVE (OUTDOOR) 72 IN. CEILING FAN



Questions, problems, missing parts? Before returning to the store,  
call Home Decorators Collection Customer Service  
8 a.m. - 7 p.m., EST, Monday-Friday, 9 a.m. - 6 p.m., EST Saturday

1-800-986-3460

[HOMEDEPOT.COM/HOMEDECORATORS](http://HOMEDEPOT.COM/HOMEDECORATORS)



---

#### THANK YOU

*We appreciate the trust and confidence you have placed in Home Decorators Collection through the purchase of this ceiling fan. We strive to continually create quality products designed to enhance your home. Visit us online to see our full line of products available for your home improvement needs. Thank you for choosing Home Decorators Collection!*

# Table of Contents

---

<b>Table of Contents</b> .....	<b>2</b>	<b>Operation</b> .....	<b>16</b>
<b>Safety Information</b> .....	<b>3</b>	Remote Control Operating Instructions .....	<b>16</b>
<b>Warranty</b> .....	<b>4</b>	Installing the Remote Control Holder .....	<b>17</b>
<b>Pre-Installation</b> .....	<b>4</b>	Reverse Switch Operating Instructions .....	<b>17</b>
Specifications .....	<b>4</b>	<b>Care and Cleaning</b> .....	<b>18</b>
Tools Required .....	<b>4</b>	<b>Troubleshooting</b> .....	<b>18</b>
Hardware Included .....	<b>5</b>	<b>Service Parts</b> .....	<b>20</b>
Package Contents .....	<b>6</b>		
Dual Mounting Instructions .....	<b>7</b>		
<b>Installation</b> .....	<b>8</b>		
<b>Assembly</b> .....	<b>9</b>		
Standard Ceiling Mounting .....	<b>9</b>		
Close-to-Ceiling Mounting .....	<b>10</b>		
Hanging the Fan .....	<b>11</b>		
Attaching the Fan Blades .....	<b>14</b>		
Installing the Light Kit .....	<b>15</b>		

# Safety Information

1. To reduce the risk of electric shock, ensure electricity has been turned off at the circuit breaker or fuse box before beginning.
2. All wiring must be in accordance with the National Electrical Code “ANSI/NFPA 70-1999” and local electrical codes. Electrical installation should be performed by a qualified licensed electrician.
3. The outlet box and support structure must be securely mounted and capable of reliably supporting a minimum of 35 lbs. Use only UL-listed outlet boxes marked “FOR FAN SUPPORT.”
4. The fan must be mounted with a minimum of 7 ft. clearance from the trailing edge of the blades to the floor.
5. Avoid placing objects in the path of the blades.
6. To avoid personal injury or damage to the fan and other items, be cautious when working around or cleaning the fan.
7. Do not use water or detergents when cleaning the fan or fan blades. A dry dust cloth or lightly dampened cloth will be suitable for most cleaning.
8. After making electrical connections, spliced conductors should be turned upward and pushed carefully up into the outlet box. The wires should be spread apart with the grounded conductor and the equipment-grounding conductor on one side of the outlet box and ungrounded conductor on the other side of the outlet box.
9. All setscrews must be checked and retightened where necessary before installation.
10. This device complies with part 15 of the FCC Rules. Operation is subject to the following two conditions: (1) This device may not cause harmful interference, and (2) this device must accept any interference received, including interference that may cause undesired operation.

**Warning:** Changes or modifications to this unit not expressly approved by the party responsible for compliance could void the user's authority to operate the equipment.

**NOTE:** This equipment has been tested and found to comply with the limits for a Class B digital device, pursuant to Part 15 of the FCC Rules. These limits are designed to provide reasonable protection against harmful interference in a residential installation. This equipment generates, uses and can radiate radio frequency energy and, if not installed and used in accordance with the instructions, may cause harmful interference to radio communications.

However, there is no guarantee that interference will not occur in a particular installation. If this equipment does cause harmful interference to radio or television reception, which can be determined by turning the equipment off and on, the user is encouraged to try to correct the interference by one or more of the following measures:

- Reorient or relocate the receiving antenna.
- Increase the separation between the equipment and receiver.
- Connect the equipment into an outlet on a circuit different from that to which the receiver is connected.
- Consult the dealer or an experienced radio/TV technician for help.



**WARNING:** To reduce the risk of electrical shock or fire, do not use this fan with any solid-state fan speed control device. It will permanently damage the electronic circuitry.



**WARNING:** To reduce the risk of personal injury, do not bend the blade arms (also referred to as flanges), when installing the brackets, balancing the blades or cleaning the fan.



**WARNING:** Do not insert foreign objects between rotating fan blades.



**WARNING:** To reduce the risk of fire, electric shock or personal injury, mount the fan to the outlet box marked acceptable for fan support with the screws provided with the outlet box.



**CAUTION:** To reduce the risk of personal injury, use only the screws provided with the outlet box.

**NOTICE:** The fan includes a 75W limiter to comply with the department of energy 2009 regulation. Lamping this product over 75W will cause this fan to not light. Please use bulbs with a total wattage under the 190W regulation.

# Warranty

We warrant the fan motor to be free from defects in workmanship and material present at time of shipment from the factory for a period of lifetime after the date of purchase by the original purchaser. We also warrant that all other fan parts, excluding any glass or acrylic blades, to be free from defects in workmanship and material at the time of shipment from the factory for a period of two years after the date of purchase by the original purchaser. We agree to correct such defects without charge or at our option replace with a comparable or superior model if the product is returned. To obtain warranty service, you must present a copy of the receipt as proof of purchase. All costs of removing and reinstalling the product are your responsibility. Damage to any part such as by accident, misuse, improper installation or by affixing any accessories, is not covered by this warranty. Because of varying climatic conditions this warranty does not cover any changes in brass finish, including rusting, pitting, corroding, tarnishing or peeling. Brass finishes of this type give their longest useful life when protected from varying weather conditions. A certain amount of "wobble" is normal and should not be considered a defect. Servicing performed by unauthorized persons shall render the warranty invalid. There is no other express warranty. We hereby disclaim any and all warranties, including but not limited to those of merchantability and fitness for a particular purpose to the extent permitted by law. The duration of any implied warranty which cannot be disclaimed is limited to the time period as specified in the express warranty. Some states do not allow limitation on how long an implied warranty lasts, so the above limitation may not apply to you. The retailer shall not be liable for incidental, consequential, or special damages arising out of or in connection with product use or performance except as may otherwise be accorded by law. Some states do not allow the exclusion of incidental or consequential damages, so the above exclusion or limitation may not apply to you. This warranty gives specific legal rights, and you may also have other rights which vary from state to state. This warranty supersedes all prior warranties. Shipping costs for any return of product as part of a claim on the warranty must be paid by the customer.

Contact the Customer Service Team at 1-800-986-3460 or visit [www.HOMEDEPOT.COM/HOMEDECORATORS](http://www.HOMEDEPOT.COM/HOMEDECORATORS)

# Pre-Installation

## SPECIFICATIONS

Fan size	Speed	Volts	Amps	Watts	RPM	CFM	N.W.	G.W.	C.F.
72 in.	1	120	0.4	33.0	110	10484	12.05 kg (26.52 lbs.)	13.73 kg (30.20 lb)	2.61 ft.
	2		0.31	24.0	100	9579			
	3		0.24	17.8	90	8697			
	4		0.17	12.3	81	7568			
	5		0.12	8.0	70	6675			
	6		0.09	5.8	61	5674			
	7		0.062	3.6	51	4669			
	8		0.045	2.2	40	3571			
	9		0.038	1.6	31	2607			



**NOTE:** These are approximate measures. They do not include amps and wattage used by the light kit.



## TOOLS REQUIRED



Phillips screwdriver



Flat blade screwdriver



Step ladder



Wire stripper



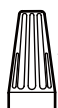
Electrical tape

# Pre-Installation (continued)

## HARDWARE INCLUDED



**NOTE:** Hardware shown to actual size unless noted otherwise in the table below.



AA



EE



II



BB



FF



JJ



CC



GG



KK



DD



HH

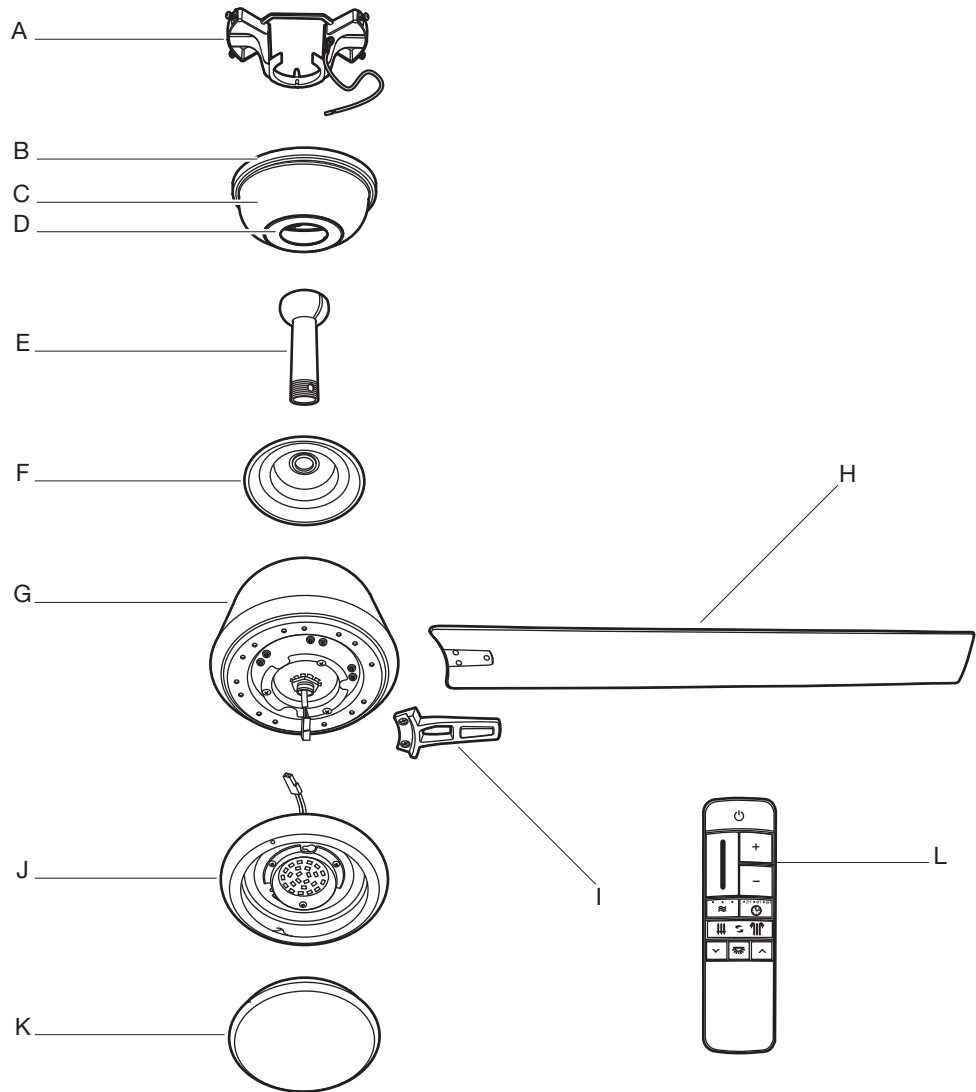


LL

Part	Description	Quantity
AA	Plastic wire nut	4
BB	Canopy mounting bracket screw with washer (preassembled)	4
CC	Blade attachment screw and fiber washer	25
DD	Blade arm screw and lock washer (preassembled)	16
EE	Clevis pin (preassembled)	1
FF	Cotter pin (preassembled)	1
GG	Cross pin (preassembled)	1
HH	Setscrew (preassembled)	1
II	Collar setscrew (preassembled)	2
JJ	Collar mounting screw with lock washer (preassembled)	6
KK	Light kit mounting screw (preassembled)	3
LL	1.5V AAA battery (not to scale)	2

# Pre-Installation (continued)

## PACKAGE CONTENTS



Part	Description	Quantity
A	Mounting bracket (preassembled)	1
B	Canopy ring (preassembled)	1
C	Canopy	1
D	Canopy bottom cover (preassembled)	1
E	Hanger ball/downrod assembly	1
F	Coupling cover	1

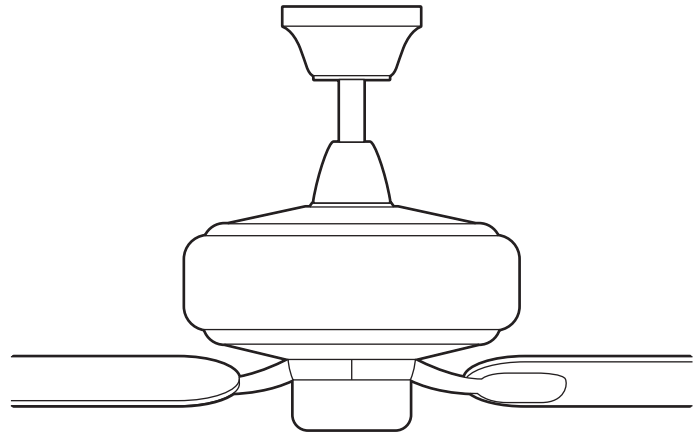
Part	Description	Quantity
G	Fan motor assembly	1
H	Blade	8
I	Blade arm	8
J	16 watt LED Light kit	1
K	Glass shade	1
L	Remote control	1

## DUAL MOUNTING INSTRUCTIONS

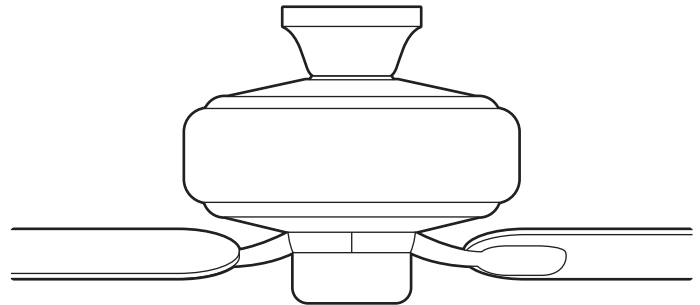
This ceiling fan is supplied with two types of hanging assemblies: the standard ceiling installation using the downrod with ball and socket mounting, and the "close-to-ceiling" mounting. The "close-to-ceiling" mounting is recommended in rooms with less than 8 ft. ceilings or in areas where additional space is desired from the floor to the fan blades.

When using the standard downrod installation, the distance from the ceiling to the bottom of the fan blades will be approximately 12 in. The "close-to-ceiling" installation reduces the distance from the ceiling to the bottom of the fan blades to approximately 9 in.

Once you have decided which ceiling installation you will use, refer to the corresponding sections and procedures during the assembly period. Where necessary, each section of the instructions will note the different procedures to follow for the two types of installation.



Standard Ceiling Mounting



Close-to-Ceiling Mounting

# Installation

## MOUNTING OPTIONS

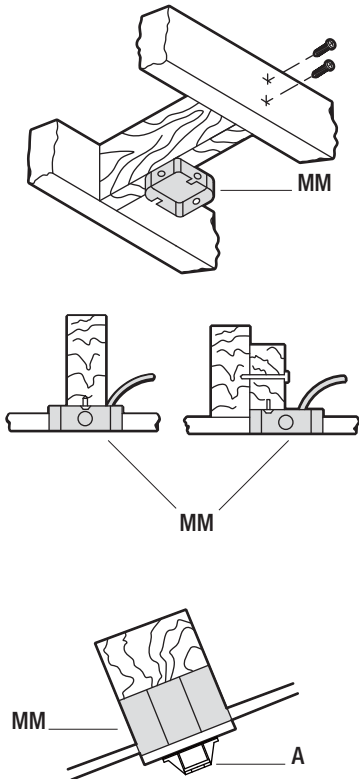


**WARNING:** To reduce the risk of fire, electric shock, or personal injury, mount the fan to an outlet box marked acceptable for fan support using the screws provided with the outlet box. An outlet box commonly used for the support of lighting fixtures may not be acceptable for fan support and may need to be replaced. If in doubt, consult a qualified electrician.

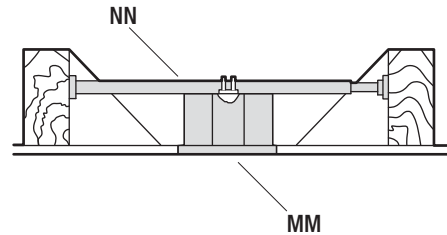
If your ceiling fan does not have an existing UL-listed mounting box, then install one using the following instructions:

- Disconnect the power by removing the fuses or turning off the circuit breakers.
- Secure the outlet box (MM) (not included) directly to the building structure. Use appropriate fasteners and materials (not included). The outlet box and its bracing must be able to fully support the weight of the moving fan (at least 35 lbs.). Do not use a plastic outlet box.

The illustrations below show three different ways to mount the outlet box (MM) (not included).



**NOTE:** You may need a longer downrod to maintain proper blade clearance when installing on a steep, sloped ceiling. The maximum angle allowable is 18° away from horizontal. If the canopy (C) touches the hanger ball/downrod assembly (E), then remove the decorative canopy bottom cover (D) and turn the canopy (C) 180° before attaching the canopy (C) to the mounting bracket (A).



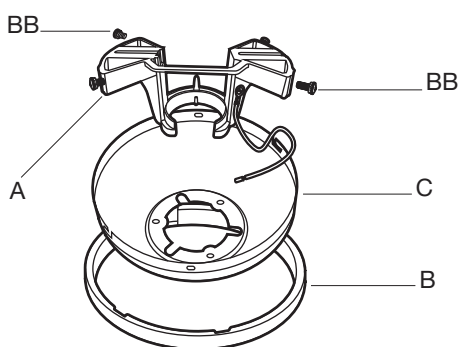
To hang your fan where there is an existing fixture but no ceiling joist, you may need an installation hanger bar (NN) (not included) as shown above.



# Assembly — Standard Ceiling Mounting

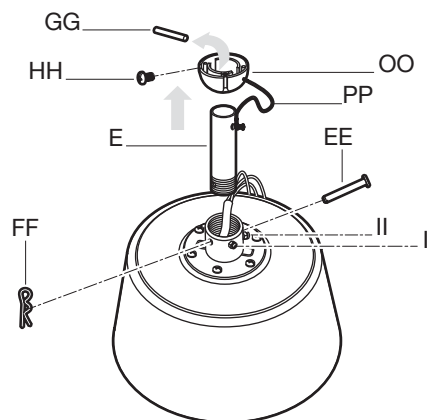
## 1 Preparing the canopy

- Remove the canopy ring (B) from the canopy (C).
- Remove the two non-slotted mounting bracket screws (BB) from the canopy (C), and loosen the slotted mounting bracket screws (BB) on the canopy (C).
- Remove the canopy (C) from the mounting bracket (A) by turning the canopy (C) counterclockwise.



## 2 Preparing the motor

- Remove the cotter pin (FF) and clevis pin (EE), and loosen the two collar setscrews (II) from the motor collar.
- Take out the setscrew (HH) located in the hanger ball (OO), lower the hanger ball (OO) and remove the cross pin (GG). Remove the hanger ball (OO) from the hanger ball/downrod assembly (E).
- Remove the ground lead (PP) from the downrod assembly (E).



## 3 Assembling the fan

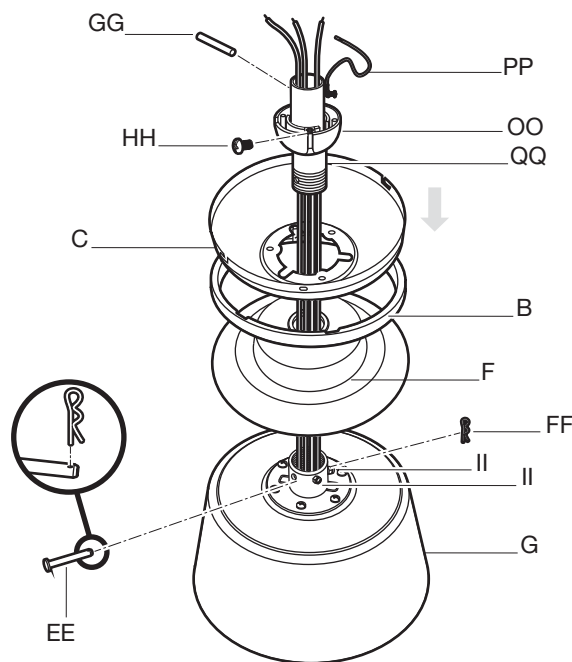


**WARNING:** Failure to properly install the cotter pin (FF) could result in the fan loosening and possibly falling.



**NOTE:** If a longer downrod (not included) is needed, take out the screw located in the hanger ball (OO), lower the hanger ball (OO) and remove the pin (GG). Remove all three pieces from the downrod and assemble them onto the new longer downrod before proceeding to the downrod installation.

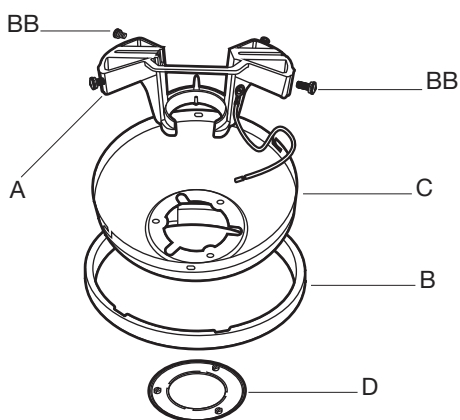
- Carefully feed the motor wires up through the downrod (QQ). Thread the downrod (QQ) into the collar.
- Align the holes and replace the clevis pin (EE) and cotter pin (FF). Tighten the two collar setscrews (II).
- Slip the coupling cover (F), canopy ring (B), and canopy (C) onto the downrod (QQ).
- Carefully reinstall the hanger ball (OO) onto the downrod (QQ) and reinstall the ground lead (PP) onto the downrod (QQ), being sure that the cross pin (GG) is in the correct position, the setscrew (HH) is tightened and wires are not twisted.



# Assembly — Close-to-Ceiling Mounting

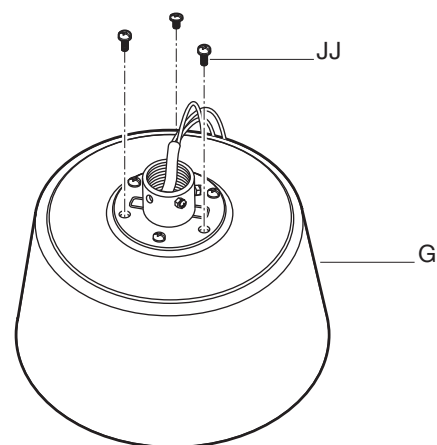
## 1 Preparing the canopy

- Remove the canopy ring (B) from the canopy (C).
- Remove the mounting bracket (A) from the canopy (C) by loosening the four canopy mounting bracket screws (BB) on the top of the canopy (C). Remove the two non-slotted canopy mounting bracket screws (BB) and loosen the slotted canopy mounting bracket screws (BB).
- Remove the canopy bottom cover (D) from the canopy (C).



## 2 Preparing the motor

- Remove three of the six collar mounting screws with lock washers (JJ) (every other one) from the collar on top of the fan motor assembly (G).

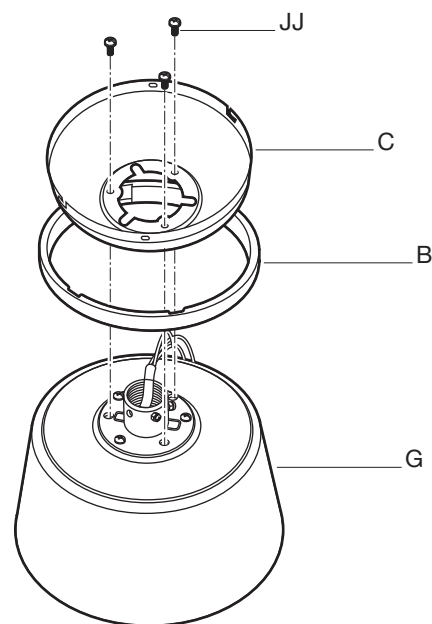


## 3 Assembling the fan



**WARNING:** Failure to completely tighten the three collar mounting screws (JJ) could result in the fan becoming loose and possibly falling.

- Make sure the slot openings of the canopy ring (B) are on top, and then proceed to place the canopy ring (B) and canopy (C) over the collar at the top of the fan motor assembly (G).
- Align the mounting holes in the bottom of the canopy (C) with the holes in the top of the fan motor assembly (G). Fasten using the three collar mounting screws with lock washers (JJ) previously removed.
- Tighten the collar mounting screws (JJ) securely.



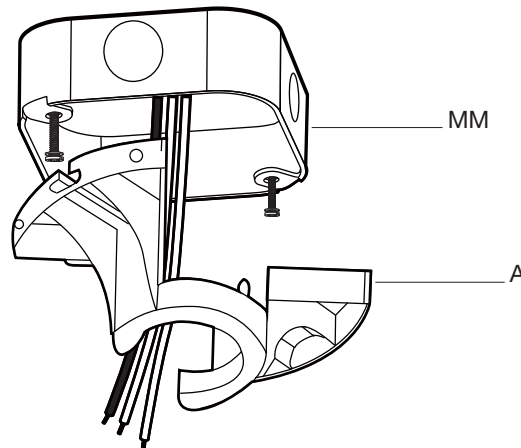
# Assembly — Hanging the Fan

## 4 Attaching the fan to the electrical box



**WARNING:** To reduce the risk of fire, electric shock or other personal injury, mount the fan only to an outlet box or supporting system marked acceptable for fan support and use the mounting screws provided with the outlet box.

- Pass the 120-volt supply wires through the center hole in the mounting bracket (A).
- Attach the mounting bracket (A) on the outlet box (MM) by sliding the mounting bracket (A) over the screws provided with the outlet box. When using “close-to-ceiling” mounting, it is important that the mounting bracket (A) be level. If necessary, use leveling washers (not included) between the mounting bracket (A) and the outlet box (MM). Note that the flat side of the mounting bracket (A) is toward the outlet box (MM).
- Securely tighten the two mounting screws.

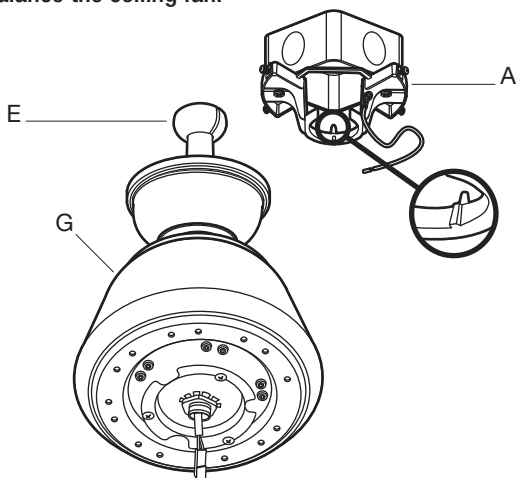


## 5a Hanging instructions for standard mounting



**WARNING:** The tab in the ring must rest in the groove of the hanger ball (E). Failure to properly seat the tab in the groove could cause damage to the wiring.

- Carefully lift the fan motor assembly (G) up to the mounting bracket (A) and seat the hanger ball (E) in the mounting bracket (A) socket. Make sure the tab on the mounting bracket (A) socket is properly seated in the groove in the hanger ball (E). This will help to balance the ceiling fan.

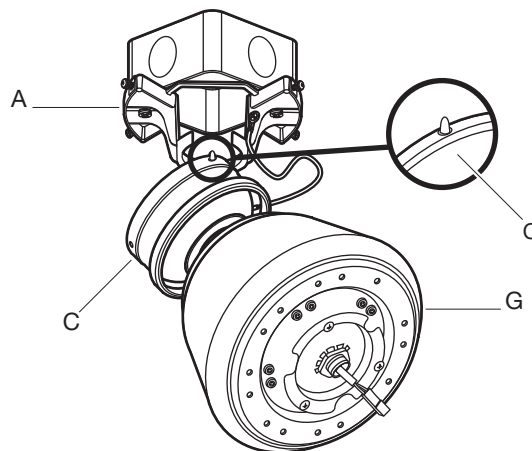


## 5b Hanging instructions for close-to-ceiling mounting



**WARNING:** The hook is only to hold the fan while attaching wiring. Failure to hang as instructed may result in the tab breaking causing the fan to fall. The hook must pass from the inside to the outside of the canopy.

- Carefully lift the fan motor assembly (G) up to the mounting bracket (A) and hang the fan on the hook provided using one of the holes at the outer rim of the canopy (C).



## Assembly — Hanging the Fan (continued)

### 6 Making the electrical connections



**WARNING:** To avoid possible electrical shock, be sure electricity is turned off at the main fuse box before wiring.



**WARNING:** Check to see that all connections are tight, including ground, and that no bare wire is visible at the wire nuts (except for the ground wire).

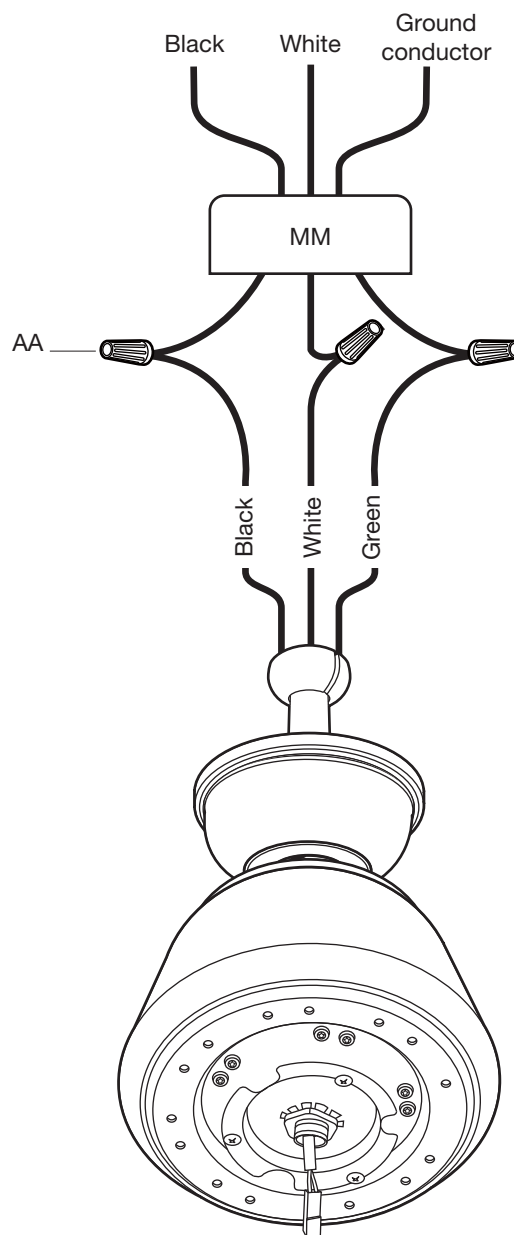


**WARNING:** To reduce the risk of fire or electric shock, do not use this fan with any solid-state speed control device.

If you feel you do not have enough electrical wiring knowledge or experience, have your fan installed by a licensed electrician.

Follow the steps below to connect the fan to your household wiring. Use the plastic wire nuts (AA) with your fan. Secure the plastic wire nuts (AA) with electrical tape. Make sure there are no loose strands or connections.

- Connect the ground conductor of the 120V supply (this may be a bare wire or a wire with green colored insulation) to the green ground lead(s) of the fan. When using standard ceiling mounting, there are two green grounding leads: one from the mounting bracket (A) and one from the hanger ball/downrod assembly (E). When using “close-to-ceiling” mounting, there is only one green ground lead from the mounting bracket (A) since the hanger ball/downrod assembly (E) is not used.
- Connect the fan motor white wire to the supply white (neutral) wire using a plastic wire nut (AA).
- Connect the fan motor black wire to the supply black (hot) wire using a plastic wire nut (AA).



# Assembly — Hanging the Fan (continued)

## 7a Standard ceiling mounting

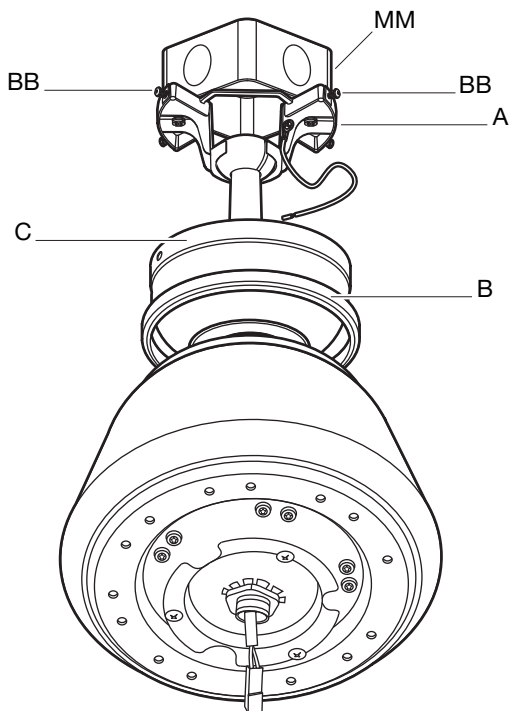


**WARNING:** Make sure the tab on the mounting bracket (A) properly sits in the groove in the hanger ball (E) before attaching the canopy (C) to the mounting bracket (A) by turning the canopy (C) until it drops into place.



**WARNING:** The locking slots of the canopy (C) are provided only as an aid to mounting. Do not leave the fan assembly unattended until all four canopy mounting bracket screws (BB) are engaged and firmly tightened.

- Slide the canopy (C) up to the ceiling. Make sure you have placed the wires safely into the outlet box (MM).
- Secure the canopy (C) to the mounting bracket (A) with the four canopy mounting bracket screws and lock washers (BB) included with your fan.
- Slide the canopy ring (B) over the canopy (C) and tighten by turning the ring (B).

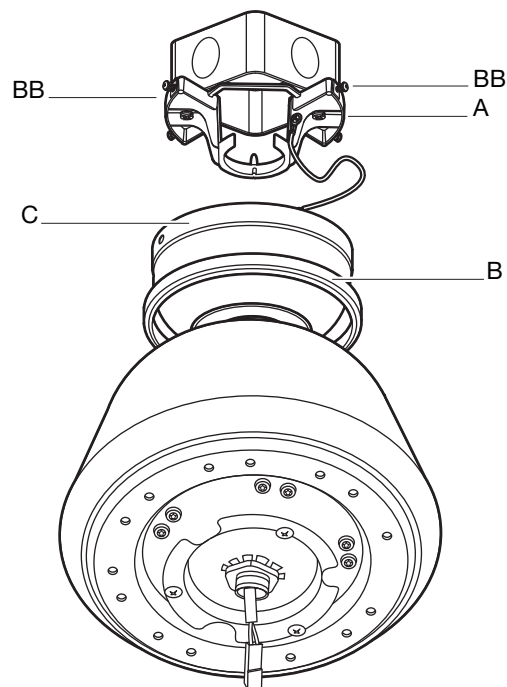


## 7b Close-to-ceiling mounting



**WARNING:** Locking slots of the canopy (C) are provided only as an aid to mounting. Do not leave the fan assembly unattended until all four canopy screws (BB) are engaged and firmly tightened.

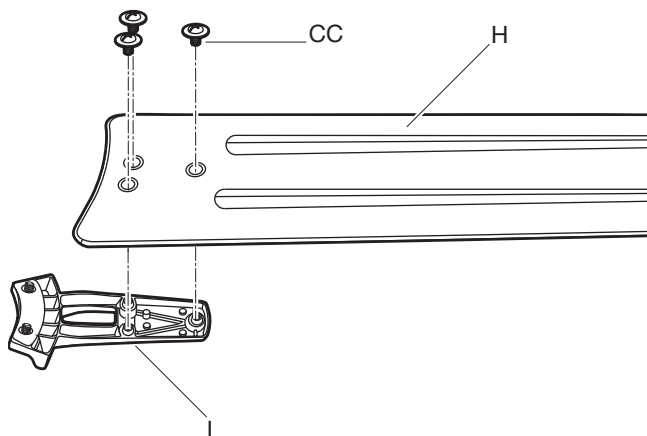
- Remove the fan from the hook on the mounting bracket (A).
- Secure the canopy (C) to the mounting bracket (A) with the four mounting bracket screws with lock washers (BB) provided.
- Slide the canopy ring (B) over the canopy (C) and tighten by turning the ring (B).



# Assembly — Attaching the Fan Blades

## 8 Attaching the blades to the blade arms

- Attach the blades (H) to the blade arms (I) using the three blade attachment screws and fiber washers (CC). Start a screw with fiber washer (CC) into the blade arms (I), but do not tighten.
- Repeat for the two remaining blade attachment screws and fiber washers (CC).
- Tighten each screw securely starting with the center screw. Make sure the blade (H) is straight.
- Repeat these steps for the remaining blades (H).

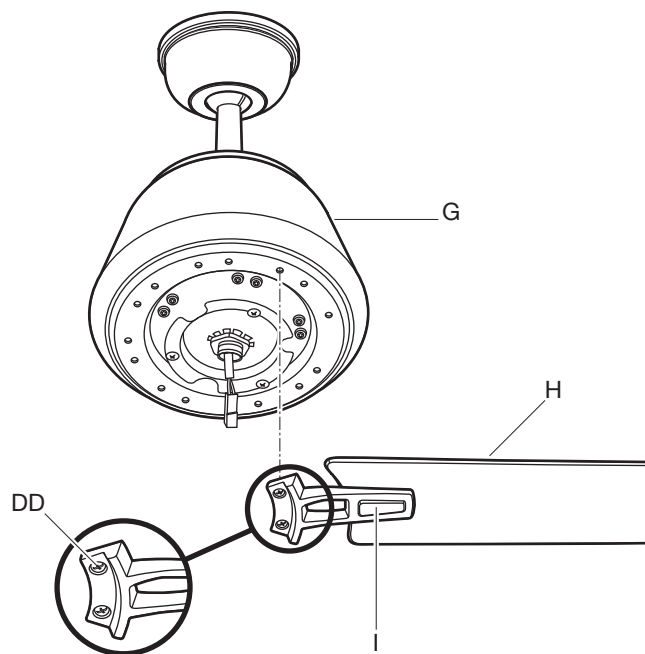


## 9 Fastening the blade assemblies to the motor



**WARNING:** To reduce the risk of personal injury, do not bend the blade arms (I) while installing, balancing the blades (H), or cleaning the fan. Do not insert foreign objects between rotating fan blades (H).

- Fasten the blade assemblies to the fan motor assembly (G).
- Tighten the two blade arm screws and lock washers (DD) already installed in the blade arms (I).
- Repeat this procedure for the remaining blade arms (I).



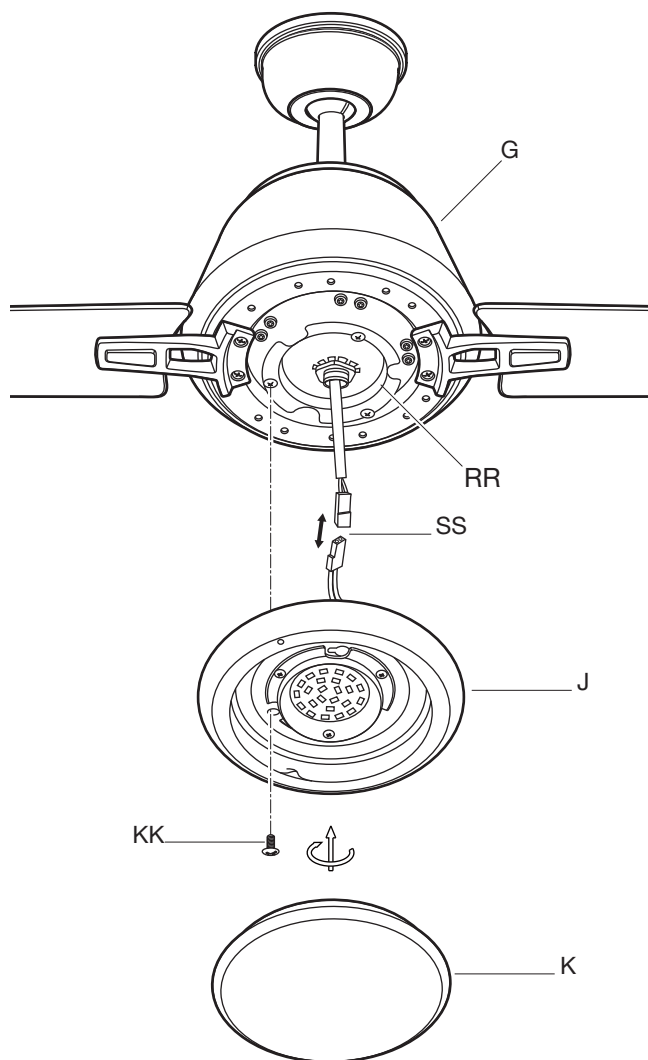
## Assembly – Installing the Light Kit

### 10 Attaching the LED light kit and glass shade



**CAUTION:** Before starting installation, disconnect the power by turning off the circuit breaker or removing the fuse at the fuse box. Turning power off using the fan switch is not sufficient to prevent electric shock.

- Remove one of the three light kit mounting screws (KK) from the mounting ring (RR) and loosen the other two screws. (Do not remove.)
- While holding the 16W LED light kit (J) under the fan motor assembly (G), make the 2-pin wire connections: (SS)
  - Red to white
  - Black to black
- Place the key holes in the 16W LED light kit (J) over the two mounting screws (KK) previously loosened from the mounting ring (RR). Turn the 16W LED light kit (J) until the 16W LED light kit (J) locks in place at the narrow section of the key holes. Securely tighten the two light kit mounting screws (KK) previously loosened and the one (KK) previously removed.
- Raise the glass shade (K) up against the 16W LED light kit (J) and secure it to the fan by turning the glass shade (K) clockwise until snug. **DO NOT OVERTIGHTEN.**



# Operation

## SETTING THE CODE ON THE TRANSMITTER

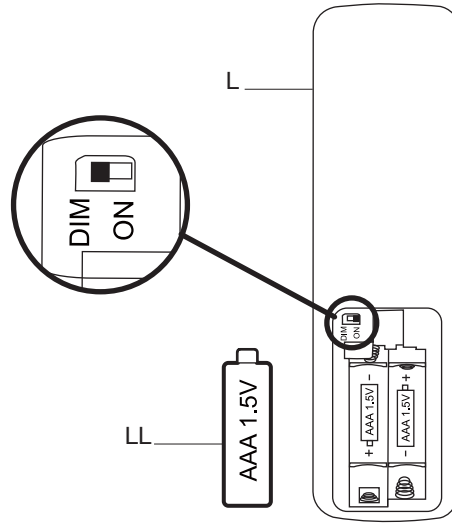


**NOTE:** The battery will weaken with age and should be replaced before leaking takes place as this will damage the remote control. Dispose of used battery properly and keep the battery out of the reach of children.



**NOTE:** The switch marked ON/DIM controls the dimming function of the lights. If using non-dimmable bulbs, use a ballpoint pen or small screwdriver to set the switch to ON to disable the dimming function. If using dimmable bulbs, set the switch to DIM to enable the dimming function.

- Remove the battery cover by pressing firmly on the arrow and sliding the cover off.
- Install two 1.5V AAA batteries (LL) (included).
- Replace the battery cover on the remote control (L).



## LEARNING PROCESS



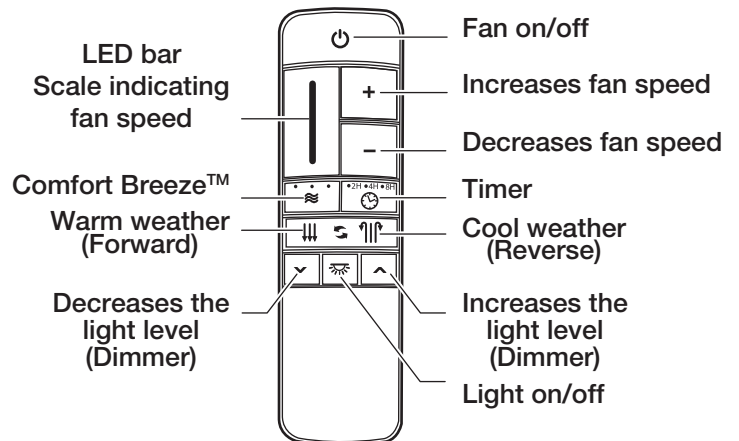
**NOTE:** After the AC power is on, do not press any other button on the remote control before pressing the “⏻” button. Doing so will cause the procedure to fail.



**NOTE:** The remote control can learn multiple receivers. Make sure no other receivers are operating during the learning process. Separate the fan power switches by approximately 2 meters.

Should you desire to use another remote control unit with your new fan, install one using the steps below:




- Turn the main power source off to begin the learning process.
- Return the power to the unit.
- Within 30 seconds of turning the fan’s AC power ON, Press and hold ⏻ the button for 5 seconds to enter the learning function. Once the receiver has detected the set frequency, the down light of your fan, if applicable, will blink twice. There is no indication if your fan is not equipped with a light.





# Operation (continued)

## OPERATING YOUR FAN AND REMOTE CONTROL

- 1. Fan  button.** - Press and release the  button to turn the fan on or off.
  - Press and hold the  button for 5 seconds to enter the learning function.
  - Fan on. The fan memory function will resume the speed set on the fan prior to the power being turned off. The LED bar will display the current settings for 5 seconds after the button is released.



**NOTE:** If you are currently using Comfort Breeze™ mode, pressing the  button will cancel Comfort Breeze™ mode and resume normal fan operation.

- Fan off. The fan memory function will store the current setting for the next time the fan is in use.



**NOTE:** You must turn the fan on prior to using the timer function.

### 2. Speed functions

#### + button, increases the fan speed

- Pressing and releasing the + button one time will increase the speed of the fan. Each setting increase will cause the LED bar to illuminate slightly more, until the fan has reached the maximum speed setting, at that time the LED bar will be fully illuminated.
- Pressing and holding the + button will increase the fan speed automatically through the speed settings and the increments will be denoted on the LED bar. When the LED bar is fully illuminated, the fan has reached maximum speed setting.
- Pressing the + button while in Comfort Breeze™ mode will automatically cancel the Comfort Breeze™ mode and resume normal fan operation.

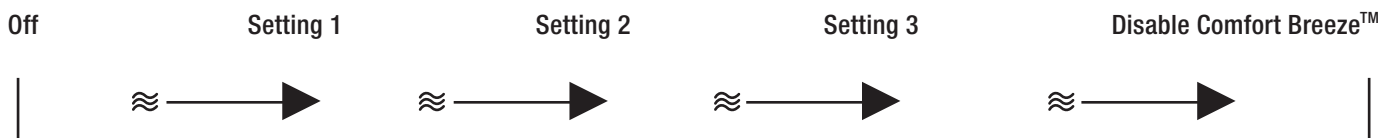
#### - button, decreases fan speed

- Pressing and releasing the - button one time will decrease the speed of the fan. Each setting decrease will cause the LED bar to dim slightly more, until the fan has reached the minimum speed setting. At that time the LED bar will be approximately 25% illuminated.
- Pressing and holding the - button will decrease the fan speed automatically through the speed settings and the increments will be denoted on the LED bar. When the LED bar is 25% illuminated, the fan has reached the minimum speed setting.
- Pressing the - button while in Comfort Breeze™ mode will automatically cancel the Comfort Breeze™ mode and resume normal fan operation.

### 3. Comfort Breeze™

There are three Comfort Breeze™ settings. Pressing the button will activate the Comfort Breeze™ mode and LED bar will illuminate slowly from bottom to top to display the current setting.

- Setting 1: Alternates through speeds 1 – 3, the LED bar should fill approximately 33%.
- Setting 2: Alternates through speeds 1 – 6, the LED bar should fill approximately 66%.
- Setting 3: Alternates through speeds 1 – 9, the LED bar should be fully illuminated.



# Operation

## 4. Timer 🕒

- Pressing the timer button will automatically turn fan and light (if light is on) off after 2, 4, or 8 hours. When you activate the timer mode, the LED to the left of the time above the clock will illuminate.



## 5. Fan reverse button (Must be pushed when the fan is in operation)

- Warm weather: ⚡ LED bar will illuminate and the lights will flow from high to low.
- Warm weather: ⚡ LED bar will illuminate and the lights will flow from high to low.

## 6. Light 🌞

- Press and release the light button to turn the light on or off.
- Light on: The fan memory function will resume the light setting (on or off and dim) on the fan prior to the power being turned off.

## 7. Dimmer

- Press ▲ to increase the desired light level.
- Press ▼ to decrease the desired light level.

## REVERSE SWITCH OPERATING INSTRUCTIONS

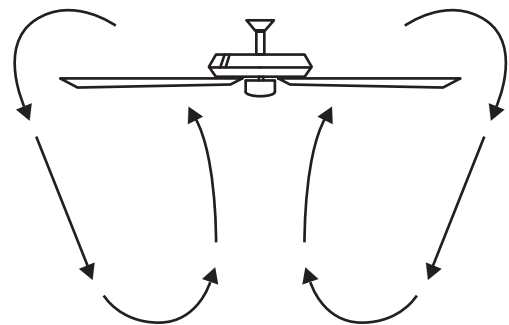
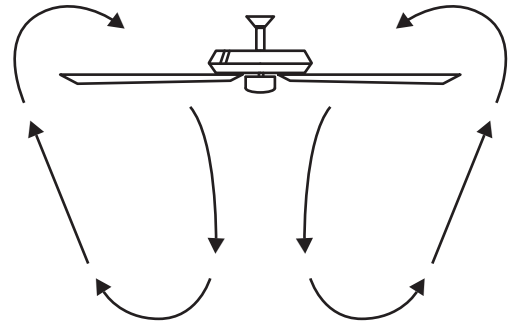
Speed settings for warm or cool weather depend on factors such as the room size, ceiling height, number of fans, and so on.



**NOTE:** To operate the reverse function on this fan, press the for/rev button while the fan is running.

**Warm weather - (Counterclockwise Direction)** A downward air flow creates a cooling effect. This allows you to set your air conditioner on a warmer setting without affecting your comfort.

**Cool weather - (Clockwise Direction)** An upward air flow moves warm air off the ceiling. This allows you to set your heating unit on a cooler setting without affecting your comfort.



# Care and Cleaning

## Do

- Check the support connections, brackets, and blade attachments twice a year. Make sure they are secure. Because of the fan's natural movement, some connections may become loose over time. It is not necessary to remove the fan from the ceiling.
- Clean your fan periodically. Use only a soft brush or lint-free cloth to avoid scratching the finish. The plating is sealed with a lacquer to minimize discoloration or tarnishing.
- (Optional) Apply a light coat of furniture polish to the wood blades.
- (Optional) Cover small scratches with a light application of shoe polish.

## Do not

- Use water when cleaning. Water could damage the motor, or the wood, or possibly cause an electrical shock.
- Apply oil to your fan or motor. The motor has permanently-lubricated sealed ball bearings.

# Troubleshooting



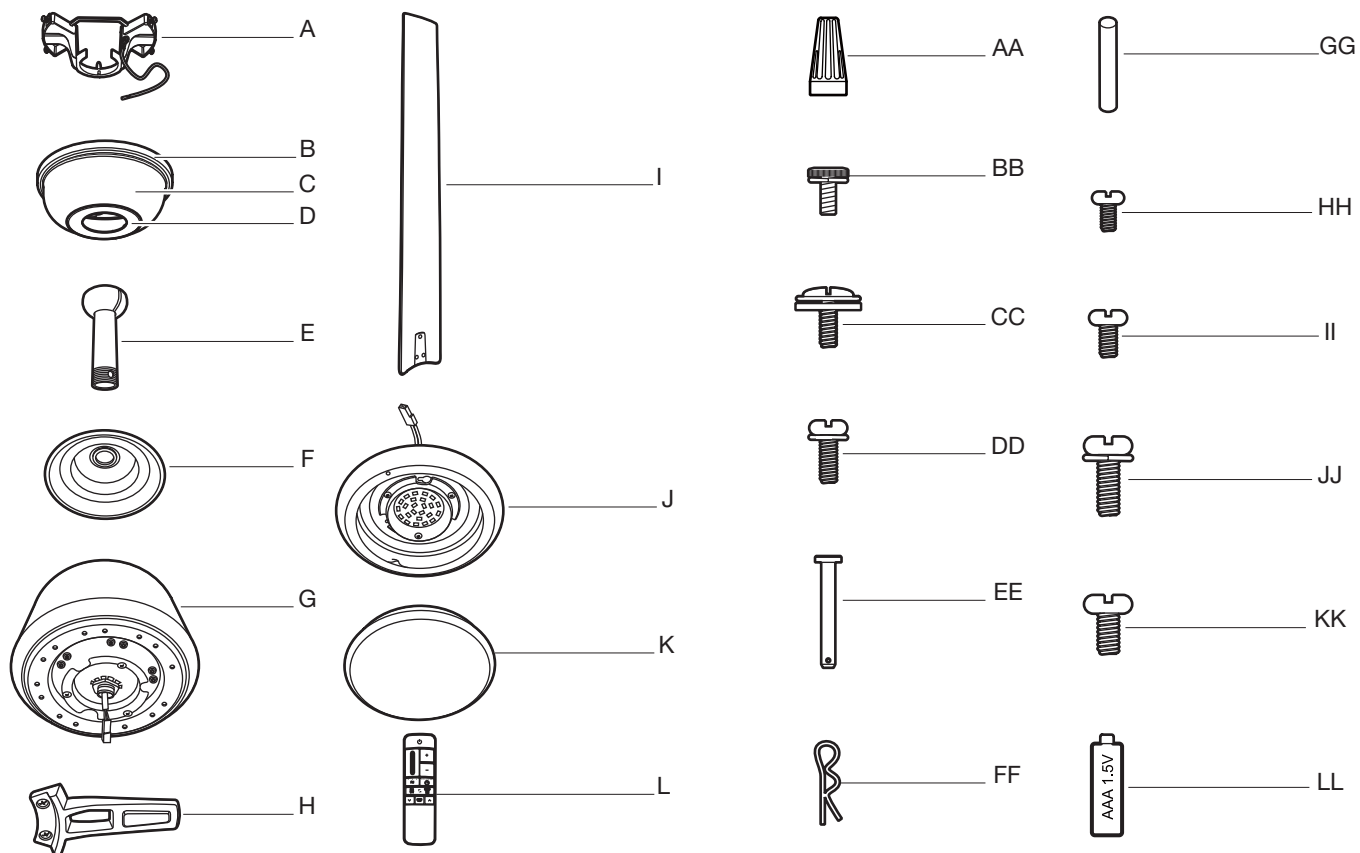
**WARNING:** Make sure the power is off at the electrical panel box before you attempt any repairs. Refer to the section "Making the Electrical Connections" on page 12.

Problem	Solution
The fan will not start.	□ Check the main and branch circuit fuses or breakers.
	□ Check the line wire connections to the fan and switch wire connections in the switch housing.
	□ Check to make sure the frequency switches from the remote control and receiver are set to the same frequency.
The fan sounds noisy.	□ Make sure all motor housing screws are snug.
	□ Make sure the screws that attach the fan blade arm to the motor hub are tight.
	□ Make sure the wire nut connections are not rattling against each other or the interior wall of the switch housing.
	□ Allow a 24-hour "breaking-in" period. Most noises associated with a new fan disappear during this time.
	□ If using the ceiling light kit, make sure the screws securing are tight. Check that the light bulb is also secure.
	□ Make sure there is a short distance from the ceiling to the canopy. It should not touch the ceiling.
□ Make sure your ceiling box is secure and that rubber isolator pads are used between the mounting bracket and outlet box.	

## Troubleshooting (continued)

Problem	Solution
Lights shut off and will not come back on.	<ul style="list-style-type: none"> <li>□ This unit is equipped with a wattage limiting device. Lamping in excess of 75 watts will disable your ceiling fan's light kit. To reset your light kit, you must turn the power off and relamp, keeping the wattage under 75 watts. Restore power to your ceiling fan and continue normal operation.</li> </ul>
The remote control is not working.	<ul style="list-style-type: none"> <li>□ Do not connect the fan with wall mounted variable speed control(s).</li> </ul>
	<ul style="list-style-type: none"> <li>□ Make sure the frequency switches are set correctly.</li> </ul>
The fan wobbles.	<ul style="list-style-type: none"> <li>□ Verify that all blades and blade bracket screws are secure (most fan wobble problems are caused by loose parts). Once the fan is properly installed, run the ceiling fan for 10 minutes to let the fan self-adjust.</li> </ul> <p>If wobble occurs after running the fan for 10 minutes, verify blade level using the following process:</p> <ul style="list-style-type: none"> <li>- Select a point on the ceiling above the tip of one of the blades, then select any fan blade and measure from the center of the selected blade to the point on the ceiling. Rotate the fan until the next blade is positioned and repeat the measurement using the same point from the ceiling for every blade. Measurement deviations should be within 1/8 in..</li> <li>- If all deviations are less than 1/8 in. and the fan continues to wobble, please call Customer Service (1-800-986-3460) to order a complimentary Blade Balancing Kit.</li> <li>- If deviation is greater than 1/8 in. , please call Customer Service (1-800-986-3460) to order complimentary replacements of your brackets.</li> </ul>

# Service Parts



Part	Description
A	Mounting bracket (preassembled)
B	Canopy ring (preassembled)
C	Canopy
D	Canopy bottom cover
E	Hanger ball/downrod assembly
F	Coupling cover
G	Fan motor assembly
H	Blade
I	Blade arm
J	16 watt LED Light kit
K	Glass shade
L	Remote control

Part	Description
AA	Plastic wire nut
BB	Canopy mounting bracket screw with washer (preassembled)
CC	Blade attachment screw and fiber washer
DD	Blade arm screw and lock washer (preassembled)
EE	Clevis pin (preassembled)
FF	Cotter pin (preassembled)
GG	Cross pin (preassembled)
HH	Setscrew (preassembled)
II	Collar setscrew (preassembled)
JJ	Collar mounting screw with lock washer (preassembled)
KK	Light kit mounting screw (preassembled)
LL	1.5V AAA battery

# HOME DECORATORS COLLECTION

Questions, problems, missing parts? Before returning to the store,  
call Home Decorators Collection Customer Service  
8 a.m. - 7 p.m., EST, Monday-Friday, 9 a.m. - 6 p.m., EST Saturday

1-800-986-3460

[HOMEDEPOT.COM/HOMEDECORATORS](http://HOMEDEPOT.COM/HOMEDECORATORS)

Retain this manual for future use.

YG4930D0002-Y