

INSTANT-FLOW® SR - LOW FLOW

APPLICATION: commercial, industrial, residential, public lavatories, kitchen/bar sink

PRODUCT FEATURES

- Unlimited hot water
- Saves water and energy - 99% energy efficient
- Meets all CAL GREEN low flow requirements
- Vandal resistant rugged cast aluminum housing
- Space saving compact size:
 6-1/4" (H) x 9-5/8" x 2-3/4"
 (159 (H) x 244 x 70mm)
- Meets applicable building codes including ADA, UL, IAPMO, UPC, CSA.
- Environmentally friendly

Chronomite Instant-Flow® SR - Low Flow models are manufactured to provide reliable point-of-use hot water. There is no pressure and temperature relief valve needed (unless required by code), saving time and money on installation.

Housing is fabricated from rugged cast aluminum alloy.

Element assembly is fabricated from Celcon plastic.

Heating coils are nichrome.

Faucet flow controls are supplied with each unit. 3/8" compression fittings are supplied (standard). Optional 1/2" male NPT water connections available.



Member of
 U.S. Green
 Building Council



Water
 Conserving
 Product

For the model being selected, please place the corresponding amps, volts and temperature rise values in the Guide Specifications to the right.



Instant-Flow® SR - Low Flow

GUIDE SPECIFICATION

Tankless Water Heater shall be a Chronomite Laboratories Model

SR - _____ L / _____ **_____**
AMPS VOLTS OPTIONS

with _____ Amps and _____ Volts

To heat 0.4 GPM (1.5 LPM) at a temperature rise of

_____ °F

Unit shall be provided with Celcon waterways, and Nichrome heating coils.

OPTIONS

- PA 765 ABS Housing (P)
- Satin Finish Stainless Steel Housing (SS)
- High Polish Finish Stainless Steel (SSP)
- Pressure & Temp Relief Valve Assembly (TP)
- 1/2" Male NPT (NPT08)
- Disconnect Switch, Rotary 40A - Lockable Nema 4X (2095-1)

MODEL	AMPS	VOLTS	WATTS	ACTIVATION GPM	°F TEMPERATURE RISE @		
					0.40 GPM	0.75 GPM	1.00 GPM
SR-15L/120	15	120	1800	0.35	31	--	--
SR-15L/277	15	277	4150	0.35	71	38	28
SR-20L/120	20	120	2400	0.35	41	22	--
SR-20L/208	20	208	4160	0.35	71	38	28
SR-20L/240	20	240	4800	0.35	82	44	33
SR-20L/277	20	277	5540	0.35	95	50	38
SR-30L/120	30	120	3600	0.35	61	33	25

Complies with Standards for:

LISTED TO:
 UL STD 499



Intertek
 5001365
 CALGreen

CERTIFIED TO:
 CAN/CSA STD C22.2 No. 88

LISTED
 ELECTRIC HEATING
 APPLIANCE
 2141

CHRONOMITE LABORATORIES, INC.

17451 Hurley St. :: City of Industry, CA 91744
 Phone 800-447-4962 :: 626-937-4270
 Fax 626-937-4279 :: www.chronomite.com

MEMBER OF



INSTANT-FLOW® SR - LOW FLOW

INSTANT-FLOW® SR - LOW FLOW METRIC CHART

MODEL	AMPS/PHASE	1 Ø VOLTAGE	WATTS	ACTIVATION LPM	°C TEMPERATURE RISE @		
					1.50 LPM	3.00 LPM	4.00 LPM
SR-15L/120	15	120	1800	1.3	17	--	--
SR-15L/277	15	277	4150	1.3	40	20	15
SR-20L/120	20	120	2400	1.3	23	11	--
SR-20L/208	20	208	4160	1.3	40	20	15
SR-20L/240	20	240	4800	1.3	46	23	17
SR-20L/277	20	277	5540	1.3	53	27	20
SR-30L/120	30	120	3600	1.3	34	17	13

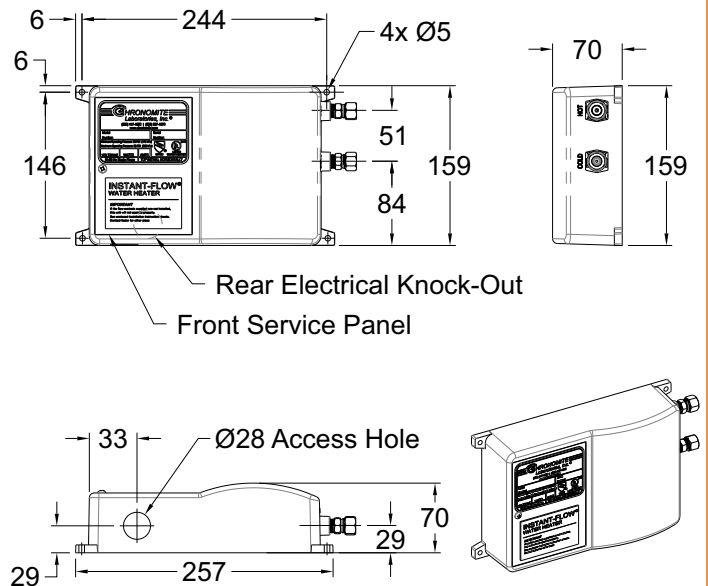
TECHNICAL DIMENSIONS

INSTANT-FLOW® SR - LOW FLOW

Dimensions:	159 (H) x 244 x 70mm
Weight:	2.27 Kg
Materials:	Rugged cast aluminum housing Celcon plastic element assembly with nichrome coils
Housing Color:	White
Minimum Operating Flow Rate:	1.3 LPM
Minimum Operating Pressure:	172 kPa
Maximum Operating Pressure:	552 kPa
Maximum Pressure:	1034 kPa
Maximum Water Temperature:	71°C
Maximum Ambient Operating Temperature:	60°C
Listing:	UL, IAPMO, UPC, ADA, ETL

GENERAL NOTES:

- 240V models when operated at 220V will have approximately a 15% temperature decrease.
- 120V models when operated 110V will have approximately a 15% temperature decrease.



Chronomite Laboratories assumes no responsibility for use of void or suspended data. © Copyright Chronomite Laboratories, Inc. Member of Morris Group International, City of Industry, CA Please visit www.chronomite.com for most current specifications.

SELECTION SUMMARY & APPROVAL FOR MANUFACTURING

Company _____

Model Number & Options _____ Quantity _____

Contact _____ Title _____

Signature (Approval for Manufacturing) _____ Date _____

CHRONOMITE
LABORATORIES, INC.
PH. 800-447-4962
626-937-4270
FAX 626-937-4279
www.chronomite.com

INSTANT-FLOW® SR - LOW FLOW

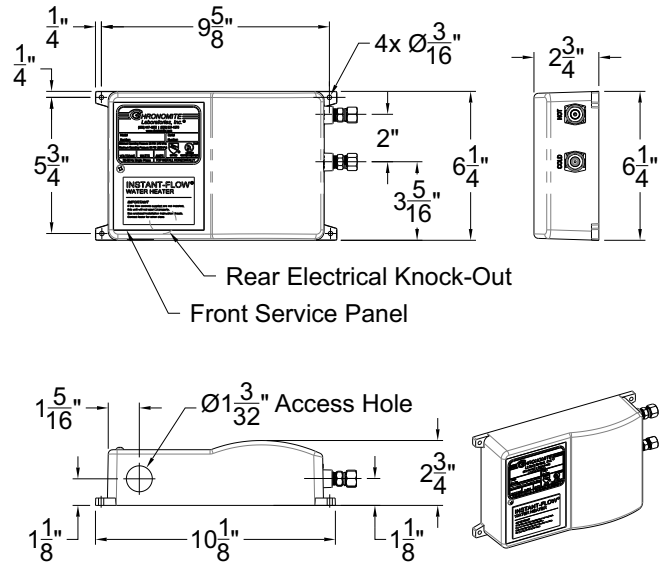
TECHNICAL DIMENSIONS

INSTANT-FLOW® SR - LOW FLOW

Dimensions:	6-1/4" (H) x 9-5/8" x 2-3/4"
Weight:	5 lbs.
Materials:	Rugged cast aluminum housing Celcon plastic element assembly with nichrome coils
Housing Color:	White
Minimum Operating Flow Rate:	0.35 GPM
Minimum Operating Pressure:	25 PSI
Maximum Operating Pressure:	80 PSI
Maximum Pressure:	150 PSI
Maximum Water Temperature:	160°F
Maximum Ambient Operating Temperature:	140°F
Listing:	UL, IAPMO, UPC, ADA, ETL

GENERAL NOTES:

- 240V models when operated at 220V will have approximately a 15% temperature decrease.
- 120V models when operated 110V will have approximately a 15% temperature decrease.



INSTALLATION DIAGRAM

Notes:

1. Heater to be installed below the level of all hot water outlets serviced by the heater.
2. Diagram shown with standard 3/8" Compression Fitting. Optional 1/2" Male NPT water connections available.

① Instant-Flow SR-L Heater

② Electrical Junction Supply Box (optional)

②A 2095-1 Disconnect Switch (optional)

③ Electrical Supply Conduit

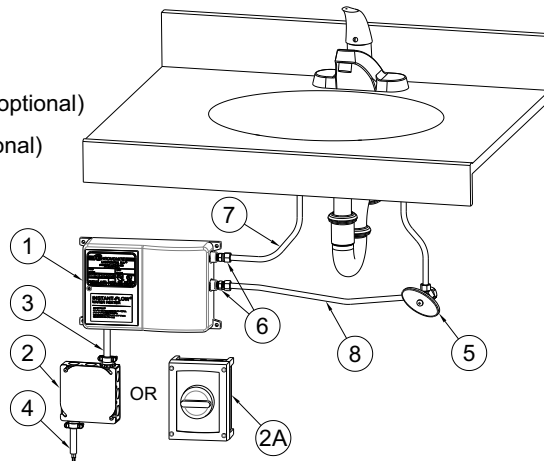
④ Electrical Supply Wire

⑤ Dual outlet Stop, 3/8" Comp. Outlet Connections

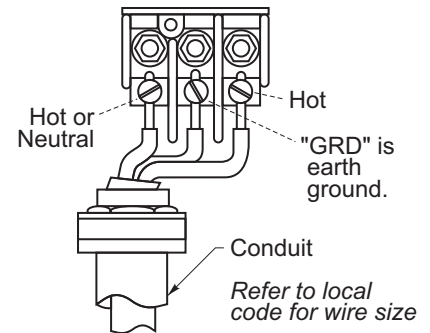
⑥ 3/8" Comp. x 1/4" NPT Fittings (supplied)

⑦ 3/8" Hot Water Outlet

⑧ 3/8" Cold Water Inlet



WIRING CONNECTION



ATTENTION:

Unit must be hard wired.
NOTE: Heaters are single phase.
All tests are measured at the output of the heater.

Chronomite Laboratories assumes no responsibility for use of void or suspended data. © Copyright Chronomite Laboratories, Inc. Member of Morris Group International, City of Industry, CA Please visit www.chronomite.com for most current specifications.

SELECTION SUMMARY & APPROVAL FOR MANUFACTURING

Company _____

Model Number & Options _____ Quantity _____

Contact _____ Title _____

Signature (Approval for Manufacturing) _____ Date _____

CHRONOMITE
LABORATORIES, INC.

PH. 800-447-4962

626-937-4270

FAX 626-937-4279

www.chronomite.com