

Use & Care Guide
Manual de Uso y Cuidado
English / Español

Kenmore®

Liquid Propane Gas Grill

Parrilla a gas de propano líquido

Model/ Modelo: PG-4030400LD_Black
PG-4030400LD_Mocha
PG-4030400LD-1 _ Red
PG-4030400LD-2 _ Teal
PG-4030400LD-3 _ Azure
PG-4030400LD-4 _ Pearl

P/N 30400412Z



 **DANGER** 

If you smell gas:

1. Shut off gas to the appliance.
2. Extinguish any open flame.
3. Open lid.
4. If odor continues, keep away from the appliance and immediately call your gas supplier or your fire department.

 **WARNING** 

1. Do not store or use gasoline or other flammable liquids or vapors in the vicinity of this or any other appliance.
2. An LP cylinder not connected for use shall not be stored in the vicinity of this or any other appliance.

Please Contact Permasteel Customer Service For Help & Parts
If you have questions or need assistance during assembly, Please
call 1-888-287-0735. M - F 8:00 - 5:00 Pacific You will be
speaking to a Representative of the grill manufacturer.

Or Visit us at www.permasteel.net

Product Record

IMPORTANT: Fill out the product record information below.

Model Number _____

Serial Number _____

Date Purchased _____

 **CAUTION** 

For residential use only. Do not use for commercial cooking.

Installation Safety Precautions

- Please read this User's Manual in its entirety before using the grill.
- Failure to follow the provided instruction can result in seriously bodily injury and/or property damage.
- Some parts of this grill may have sharp edges. Please wear suitable protective gloves.
- Use grill, as purchased, only with LP (propane) gas and the regulator/valve assembly supplied.
- Grill installation must conform with local codes, or in their absence of local codes, with either the National Fuel Gas Code, ANSI Z223.1/ NFPA 54, Natural Gas and Propane Installation Code, CSA B149.1, or Propane Storage and Handling Code, B149.2, or the Standard for Recreational Vehicles, ANSI A 119.2/NFPA 1192, and CSA Z240 RV Series, Recreational Vehicle Code, as applicable.
- All electrical accessories (such as rotisserie) must be electrically grounded in accordance with local codes, or National Electrical Code, ANSI / NFPA 70 or Canadian Electrical Code, CSA C22.1. Keep any electrical cords and/or fuel supply hoses away from any hot surfaces.
- This grill is safety certified for use in the United States and/or Canada only. Do not modify for use in any other location. Modification will result in a safety hazard.

IMPORTANT: This grill is intended for outdoor use only and is not intended to be installed in or on recreational vehicles or boats.

NOTE TO INSTALLER: Leave this User's Manual with the customer after delivery and/or installation.

NOTE TO CONSUMER: Leave this User's Manual in a convenient place for future reference.

Safety Symbols

The symbols and boxes shown below explain what each heading means. Read and follow all of the messages found throughout the manual.

 **DANGER** 

DANGER: Indicates an imminently hazardous situation which, if not avoided, will result in death or serious injury.

 **WARNING** 



WARNING: Indicates an potentially hazardous situation which, if not avoided, could result in death or serious injury.

 **CAUTION** 

CAUTION: Indicates a potentially hazardous situation or unsafe practice which, if not avoided, may result in minor or moderate injury.

TABLE OF CONTENTS

For Your Safety.....	2
Grill Service Center.....	2
Product Record Information.....	2
Installation Safety Precautions.....	2
Safety Symbols.....	2
Kenmore Grill Warranty.....	4
Use and Care.....	5-11
Parts List.....	12
Parts Diagram.....	13
Before Assembly.....	14-16
Assembly.....	17-29
Troubleshooting.....	30-32

	WARNING	
<p>Combustion byproducts produced when using this product include carbon monoxide, a chemical known to the State of California to cause birth defects or other reproductive harm. For more information go to www.P65Warnings.ca.gov</p>		

WARRANTY

KENMORE LIMITED WARRANTY

WITH PROOF OF SALE: the following warranty coverage applies when this appliance is correctly installed, operated and maintained according to all supplied instructions. Note: Consumer is responsible for Shipping & handling of all warranty replacement parts.

FOR ONE YEAR: from the date of sale this grill is warranted against defects in material or workmanship, consumer will receive free replacement parts with proof of purchase, consumer is responsible for S&H cost.

FOR FIVE YEARS: from the date of sale, any stainless-steel burner that rusts through or burns through will be replaced, proof of purchase must be provided, consumer is responsible for Shipping & Handling cost.

All warranty coverage excludes ignitor batteries and grill part paint loss, discoloration or surface rusting, which are either expendable parts that can wear out from normal use within the warranty period, or are conditions that can be the result of normal use, accident or improper maintenance.

All warranty coverage is void if this appliance is ever used for other than private household purposes. For warranty coverage details to obtain replacement parts, visit the web page: www.permasteel.net

This warranty covers ONLY defects in material and workmanship, and will NOT pay for:

1. Expendable items that can wear out from normal use within the warranty period, including but not limited to batteries, screw-in base light bulbs and surface coatings or finishes.
2. A service technician to clean or maintain this appliance, or to instruct the user in correct appliance installation, operation and maintenance.
3. Service calls to correct appliance installation not performed by Permasteel authorized service agents, or to repair problems with house fuses, circuit breakers, house wiring, and plumbing or gas supply systems resulting from such installation.
4. Damage to or failure of this appliance resulting from installation not performed by Permasteel authorized service agents, including installation that was not in accord with electrical, gas or plumbing codes.
5. Damage to or failure of this appliance, including discoloration or surface rust, if it is not correctly operated and maintained according to all supplied instructions.
6. Damage to or failure of this appliance, including discoloration or surface rust, resulting from accident, alteration, abuse, misuse or use for other than its intended purpose.
7. Damage to or failure of this appliance, including discoloration or surface rust, caused by the use of detergents, cleaners, chemicals or utensils other than those recommended in all instructions supplied with the product.
8. Damage to or failure of this appliance resulting from natural or other catastrophe, such as flood, fire or storm.
9. Damage to or failure of parts or systems resulting from unauthorized modifications made to this appliance.
10. Service to an appliance if the model and serial plate is missing, altered, or cannot easily be determined to have the appropriate certification logo.

Disclaimer of implied warranties; limitation of remedies

Customer's sole and exclusive remedy under this limited warranty shall be product repair or replacement as provided herein. Implied warranties, including warranties of merchantability or fitness for a particular purpose, are limited to one year on the appliance, five years on burners, or the shortest period allowed by law. Seller shall not be liable for incidental or consequential damages. Some states and provinces do not allow the exclusion or limitation of incidental or consequential damages, or limitation on the duration of implied warranties of merchantability or fitness, so these exclusions or limitations may not apply to you.

This warranty gives you specific legal rights, and you may also have other rights which vary from state to state.

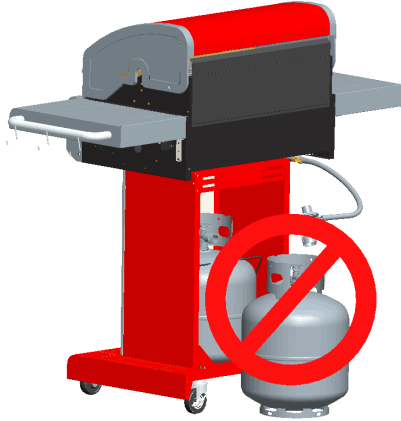
USE AND CARE



DANGER



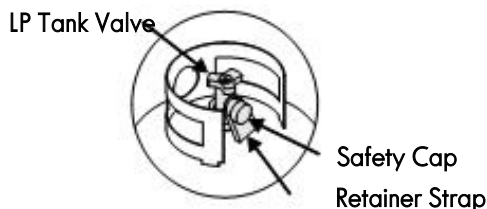
- **NEVER store a spare LP cylinder under or near the appliance or in an enclosed area.**



- **Never fill a cylinder beyond 80% full.**
- **If the information in the two points above is not followed exactly, a fire causing death or serious injury may occur.**
- **An overfilled or improperly stored cylinder is a hazard due to possible gas release from the safety relief valve. This could cause an intense fire with risk of property damage, serious injury or death.**
- **If you see, smell or hear gas escaping, immediately get away from the LP cylinder and appliance and call your fire department.**

LP Tank Removal, Transport And Storage

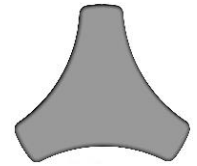
- Turn OFF all control knobs and LP tank valve. Turn coupling nut counterclockwise by hand only - do not use tools to disconnect. Lift LP tank wire upward off of LP tank collar, then lift LP tank up and off of support bracket. Install safety cap onto LP tank valve. Always use cap and strap supplied with valve. Failure to use safety cap as directed may result in serious personal injury and/or property damage.



- A disconnected LP tank in storage or being transported must have a safety cap installed (as shown). Do not store an LP tank in enclosed spaces such as a carport, garage, porch, covered patio or other building. Never leave an LP tank inside a vehicle which may become overheated by the sun.
- Do not store an LP tank in an area where children play.

LP Cylinder

- The LP cylinder used with your grill must meet the following requirements:
- Use LP cylinders only with these required measurements: 12" (30.5cm) (diameter) x 18" (45.7 cm) (tall) with 20 lb. (9 kg.) Capacity maximum.
- LP cylinders must be constructed and marked in accordance with specifications for LP cylinders of the U.S. Department of Transportation (DOT) or for Canada, CAN/CSA-B339, cylinders, spheres and tubes for transportation of dangerous goods. Transport Canada (TC). See LP cylinder collar for marking.
- LP cylinder valve must have:
 - Type 1 outlet compatible with regulator or grill.
 - Safety relief valve.
 - UL listed Overfill Protection Device (OPD). This OPD safety feature is identified by a unique triangular hand wheel. **Use only LP cylinders equipped with this type of valve.**
- LP cylinder must be arranged for vapor withdrawal and include collar to protect LP cylinder valve. Always keep LP cylinders in upright position during use, transit or storage.



OPD Hand Wheel



LP cylinder in upright position for vapor withdrawal

LP (Liquefied Petroleum Gas)

- LP gas is nontoxic, odorless and colorless when produced. **For Your Safety**, LP gas has been given an odor (similar to rotten cabbage) so that it can be smelled.
- LP gas is highly flammable and may ignite unexpectedly when mixed with air.

LP Cylinder Filling

- Use only licensed and experienced dealers.
- LP dealer **must purge new cylinder** before filling.
- Dealer should **NEVER** fill LP cylinder more than 80% of LP cylinder volume. Volume of propane in cylinder will vary by temperature.
- A frosty regulator indicates gas overfill. Immediately close LP cylinder valve and call local LP gas dealer for assistance.
- Do not release liquid propane (LP) gas into the atmosphere. This is a hazardous practice.
- To remove gas from LP cylinder, contact an LP dealer or call a local fire department for assistance. Check the telephone directory under "Gas Companies" for nearest certified LP dealers.

LP Tank Exchange

- Many retailers that sell grills offer you the option of replacing your empty LP tank through an exchange service. Use only those reputable exchange companies that inspect, precision fill, test and certify their cylinders. **Exchange your tank only for an OPD safety feature-equipped tank as described in the "LP Tank" section of this manual.**
- Always keep new and exchanged LP tanks in upright position during use, transit or storage.
- **Leak test new and exchanged LP tanks BEFORE connecting to grill.**

LP Tank Leak Test

For your safety

- Leak test must be repeated each time LP tank is exchanged or refilled.
- Do not smoke during leak test.
- Do not use an open flame to check for gas leaks.
- Grill must be leak tested outdoors in a well-ventilated area, away from ignition sources such as gas fired or electrical appliances. During leak test, keep grill away from open flames or sparks.
- Use a clean paintbrush and a 50/50 mild soap and water solution. Brush soapy solution onto areas indicated by arrows in figure below. Leaks are indicated by growing bubbles.

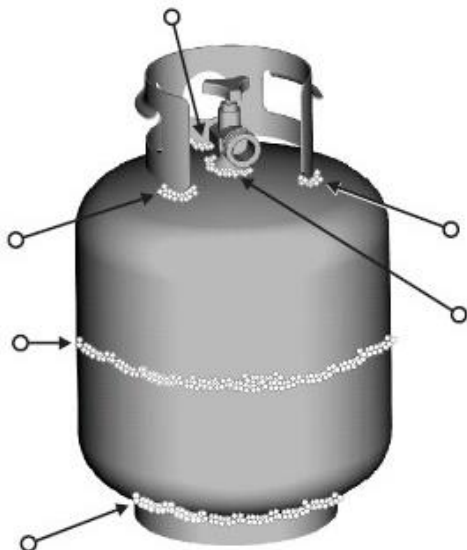


WARNING



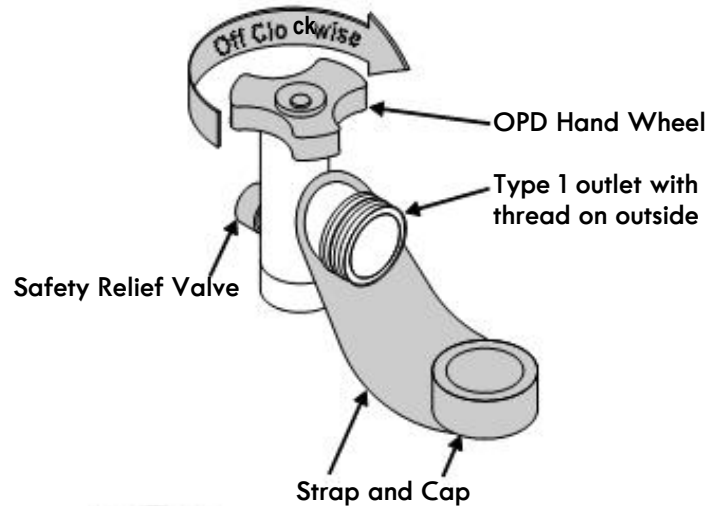
If "growing" bubbles appear do not use or move the LP tank. Contact an LP gas supplier or your fire department!

- ▲ Do not use household cleaning agents. Damage to the gas train components (valve/hose/regulator) can result.



Connecting Regulator To The LP Tank

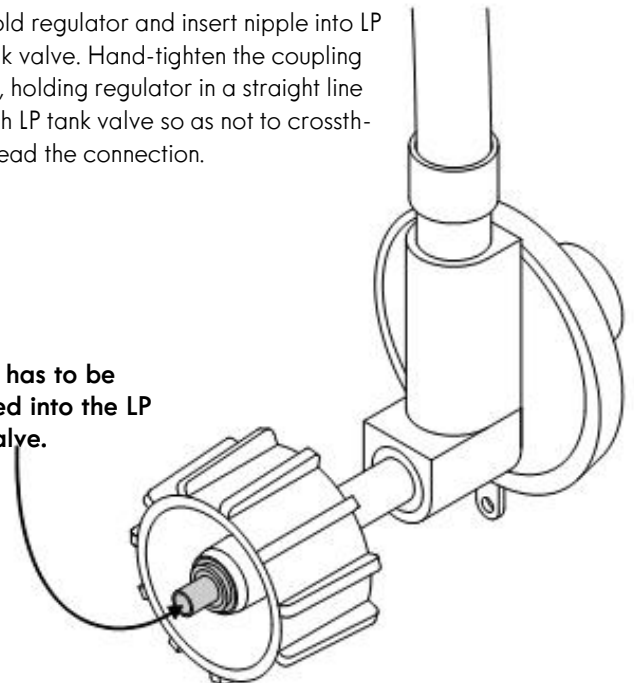
1. LP tank must be properly secured onto grill. (Refer to assembly section.)
2. Turn all control knobs to the OFF position.
3. Turn LP tank OFF by turning OPD hand wheel clockwise to a full stop.
4. Remove the protective cap from LP tank valve. Always use cap and strap supplied with valve.

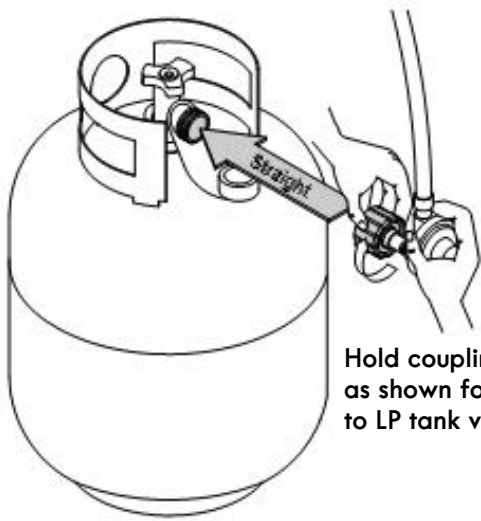


Do not insert a POL transport plug (plastic part with external threads) into the type 1 valve outlet. It will defeat the Safety Relief Valve feature.

5. Hold regulator and insert nipple into LP tank valve. Hand-tighten the coupling nut, holding regulator in a straight line with LP tank valve so as not to cross-thread the connection.

Nipple has to be centered into the LP tank valve.





Hold coupling nut and regulator as shown for proper connection to LP tank valve.

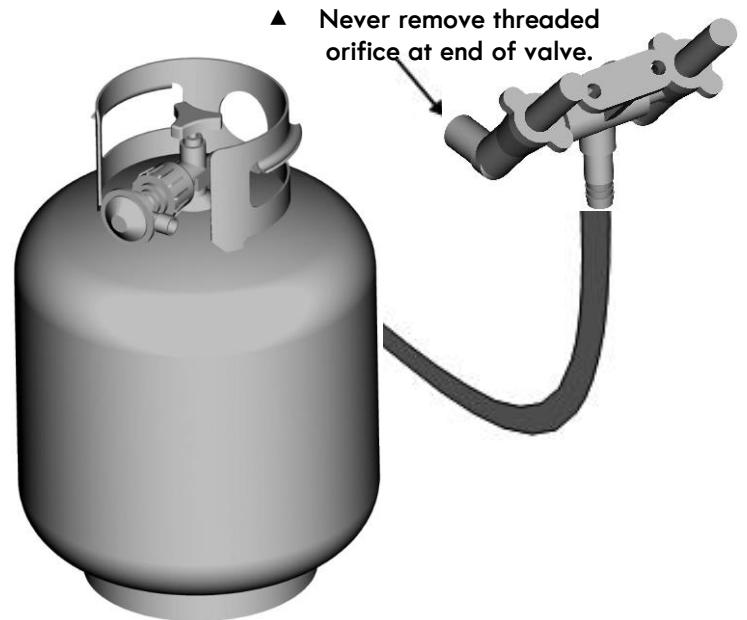
6. Turn the coupling nut clockwise and tighten to a full stop. The regulator will seal on the back-check feature in the LP tank valve, resulting in some resistance. **An additional one-half to three-quarters turn is required to complete the connection. Tighten by hand only - do not use tools.**

NOTE:

If you cannot complete the connection, disconnect regulator and repeat steps 5 and 6. If you are still unable to complete the connection, do not use this regulator! Call 1-888-287-0735 for an identical replacement part.

Leak Testing Valves, Hose and Regulator

1. Turn all grill control knobs to OFF.
2. Be sure regulator is tightly connected to LP tank.
3. Completely open LP tank valve by turning OPD hand wheel counterclockwise. If you hear a rushing sound, turn gas off immediately. There is a major leak at the connection.
4. Brush soapy solution onto areas where bubbles are shown in picture below:



5. If "growing" bubbles appear, there is a leak. Close LP tank valve immediately and retighten connections. If leaks cannot be stopped do not try to repair. Call Sears for replacement parts at 1-888-287-0735.
6. Always close LP tank valve after performing leak test by turning hand wheel clockwise.

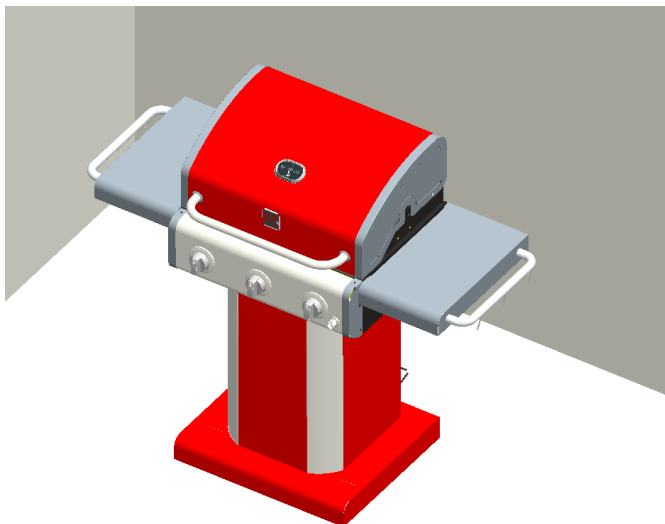
	DANGER	
<ul style="list-style-type: none"> Do not insert any tool or foreign object into the valve outlet or safety relief valve. You may damage the valve and cause a leak. Leaking propane may result in explosion, fire, severe personal injury, or death. 		

	WARNING	
<ul style="list-style-type: none"> Outdoor gas appliance is not intended to be installed in or on a boat. Outdoor gas appliance is not intended to be installed in or on an RV. Never attempt to attach this grill to the self-contained LP gas system of a camper trailer or motor home. Do not use grill until leak-tested. If a leak is detected at any time, STOP and call the fire department. If you cannot stop a gas leak, immediately close LP cylinder valve and call LP gas supplier or your fire department ! 		

WARNING

For Safe Use of Your Grill and to Avoid Serious Injury:

- Do not let children operate or play near grill.
- Keep grill area clear and free from materials that burn.
- Do not block holes in sides or back of grill.
- Use grill only in well-ventilated space. NEVER use in enclosed space such as carport, garage, porch, covered patio, or under an overhead structure of any kind.
- Do not use charcoal or ceramic briquets in a gas grill. *(Unless briquets are supplied with your grill.)*
- Use grill at least 3 ft. from any wall or surface. Maintain 10 ft. clearance to objects that can catch fire or sources of ignition such as pilot lights on water heaters, live electrical appliances, etc.



• Apartment Dwellers:

- Check with management to learn the requirements and fire codes for using an LP gas grill in your apartment complex. If allowed, use outside on the ground floor with a three (3) foot clearance from walls or rails. Do not use on or under balconies.
- NEVER attempt to light burner with lid closed. A buildup of non-ignited gas inside a closed grill is hazardous.
 - Never operate grill with LP cylinder out of correct position specified in assembly instructions.
 - Always close LP cylinder valve and remove coupling nut before moving LP cylinder from specified operation position.

Safety Tips

- ▲ Before opening LP cylinder valve, check the coupling nut for tightness.
- ▲ When grill is not in use, turn off all control knobs and LP cylinder valve.
- ▲ Never move grill while in operation or still hot.
- ▲ Use long-handled barbecue utensils and oven mitts to avoid burns and splatters.
- ▲ Maximum load for side shelf is 10 lbs.
- ▲ The Drip tray must be inserted into grill and emptied after each use. Do not remove Drip tray until grill has completely cooled.
- ▲ Clean grill often, preferably after each cookout. If a bristle brush is used to clean any of the grill cooking surfaces, ensure no loose bristles remain on cooking surfaces prior to grilling. It is not recommended to clean cooking surfaces while grill is hot.
- ▲ If you notice Drip or other hot material dripping from grill Determine the cause, correct it, then clean and inspect valve, Keep ventilation openings in cylinder enclosure (grill cart) free and clear of debris.
- ▲ Do not store objects or materials inside the grill cart enclosure that would block the flow of combustion air to the underside of either the control panel or the firebox bowl.
- ▲ The regulator may make a humming or whistling noise during operation. This will not affect safety or use of grill.
- ▲ If you have a grill problem see the "Troubleshooting Section". If the regulator frosts, turn off grill and LP cylinder valve immediately. This indicates a problem with the cylinder and it should not be used on any product. Return to supplier!

CAUTION

- Putting out drip fires by closing the lid is not possible. Grills are well ventilated for safety reasons.
- Do not use water on a drip fire. Personal injury may result. If a drip fire develops, turn knobs and LP cylinder off.
- Do not leave grill unattended while preheating or burning off food residue on HI. If grill has not been regularly cleaned, a drip fire can occur that may damage the product.



Electronic Ignition Lighting Instructions

- ▲ Do not lean over grill while lighting.
- 1. Open lid during lighting.
- 2. Turn ON gas valve on tank.
- 3. Push and turn any main burner control knob to HI and hold in. You will hear a clicking sound from the electrodes of all burners.
- 4. If ignition does NOT occur in 5 seconds, turn the burner control knob to OFF, wait 5 minutes, and repeat the lighting procedure.
- 5. To ignite another burner, repeat step 3.
- 6. Once burners are lit, adjust knobs to desired flame setting. To extinguish an individual burner, turn its knob to OFF.

If the igniter does not work, follow Match Lighting instructions

 **WARNING** 

Turn controls and gas source or tank OFF when not in use.

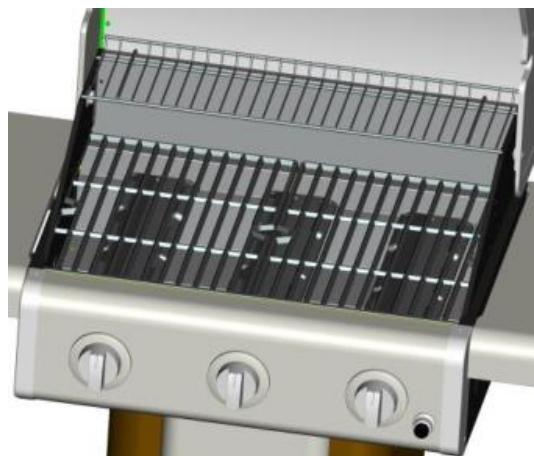
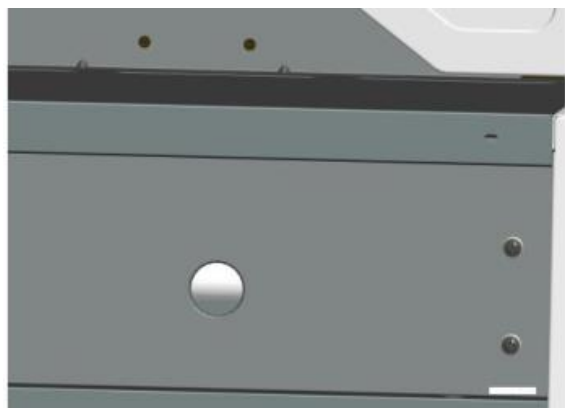
 **CAUTION** 

If ignition does NOT occur in 5 seconds, turn the burner controls OFF, wait 5 minutes and repeat the lighting procedure. If the burner does not ignite with the valve open, gas will continue to flow out of the burner and could accidentally ignite with risk of injury.

Match Lighting Instructions

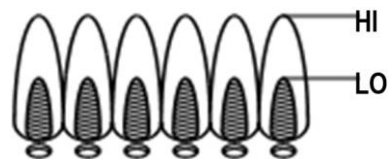
▲ Do not lean over grill while lighting.

1. Open lid during lighting.
2. Place match into match holder (hanging on left side panel).
3. Light match and insert match holder through lighting hole in side of firebox.
4. Place lighted match next to a burner. Turn burner knob to HI position. Be sure burner lights and stays lit.
5. To light the other burners repeat step 4.
6. Once burners are lit, adjust knobs to desired flame setting. To extinguish an individual burner, turn its knob to OFF.



Burner Flame Check

• Remove cooking grates and flame tamers. Light burners, rotate knobs from HIGH to LOW. You should see a smaller flame in LOW position than seen on HI. Always check flame prior to each use. If only low flame is seen refer to "Sudden drop or low flame" in the Troubleshooting Section.



Turning Grill Off

• Turn all knobs to OFF position. Turn LP cylinder off. When you are finished grilling, raise the grill lid while allowing the grill to fully cool. If the grill lid is closed during grill cooling, condensation may occur on interior grill surfaces and possibly cause them to rust.

Igniter Check

• Turn gas off at LP cylinder. Press and hold electronic ignitor button. "Clicking" should be heard and spark seen each time between collector box or burner and electrode. See "Troubleshooting" if no click or spark.

Valve Check

• Important: Make sure gas is off at LP cylinder before checking valves. Knobs lock in OFF position. To check valves, first push in knobs and release, knobs should spring back. If knobs do not spring back, replace valve assembly before using grill. Turn knobs to LOW position then turn back to OFF position. Valves should turn smoothly.

Hose Check

• Before each use, check to see if hoses are cut or worn. Replace damaged hoses before using grill. Use only valve/hose/regulator as specified in the parts list of this Use & Care Guide.

General Grill Cleaning

• Do not mistake brown or black accumulation of Drip and smoke for paint. Interiors of gas grills are not painted at the factory (**and should never be painted**). Apply a strong solution of detergent and water or use a grill cleaner with scrub brush on insides of grill lid and bottom. Rinse and allow to completely air dry. **Do not apply a caustic grill/oven cleaner to painted surfaces.**

• **Porcelain surfaces:** Because of glass-like composition, most residue can be wiped away with baking soda/water solution or specially formulated cleaner. Use nonabrasive scouring powder for stubborn stains.

• **Painted surfaces:** Wash with mild detergent or nonabrasive cleaner and warm soapy water. Wipe dry with a soft nonabrasive cloth.

• **Stainless steel surfaces:** To maintain your grill's high quality appearance, wash with mild detergent and warm soapy water and wipe dry with a soft cloth after each use. Baked-on Drip deposits may require the use of an abrasive plastic cleaning pad. Use only in direction of brushed finish to avoid damage.

Do not use abrasive pad on areas with graphics.

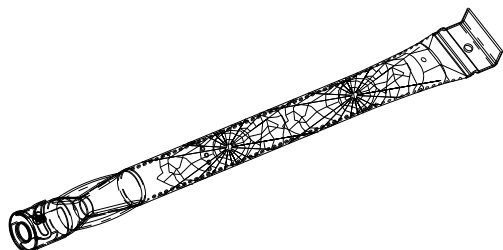
• **Cooking surfaces:** If a bristle brush is used to clean any of the grill cooking surfaces, ensure no loose bristles remain on cooking surfaces prior to grilling. It is not recommended to clean cooking surfaces while grill is hot.

Drip Tray and Cup: When the grill has completely cooled down after use, remove the Drip cup from the bottom of the Drip Tray. The Drip Tray in this grill is not removable. You will have to remove the burners to properly access the drip tray for cleaning. See the Cleaning the Burner Assembly section for instruction to remove and reinstall burners. Reinstall the burners and reattach the drip cup to the bottom of the drip tray before using the grill again.

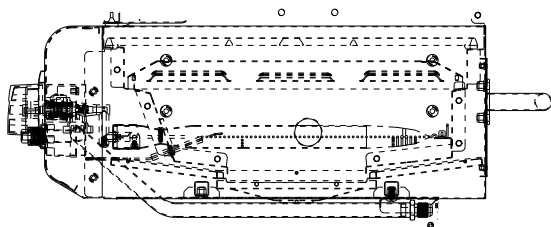
CAUTION

SPIDER ALERT!

IMPORTANT: Always ensure that the venturi burner tubes are clean. A venturi burner tube has a narrow area in which spiders tend to build nests.



If you notice that your grill is getting hard to light or that the flame isn't as strong as it should be, take the time to check and clean the venturi's.



Spiders or small insects have been known to create "flashback" problems. The spiders spin webs, build nests and lay eggs in the grill's venturi tube(s) obstructing the flow of gas to the burner. The backed-up gas can ignite in the venturi behind the control panel. This is known as a flashback and it can damage your grill and even cause injury.

To prevent flashbacks and ensure good performance the burner and venturi assembly should be removed from the grill and cleaned before use whenever the grill has been idle for an extended period.

Storing Your Grill

- Clean cooking grates.
- Store in dry location.
- When LP cylinder is connected to grill, store outdoors in a well-ventilated space and out of reach of children.
- Cover grill if stored outdoors. Choose from a variety of grill covers offered by manufacturer once available.
- Store grill indoors **ONLY** if LP cylinder is turned off and Disconnected, remove from grill and stored outdoors.
- When removing grill from storage, follow "Cleaning the Burner Assembly" instructions before starting grill.

Cleaning the Burner Assembly

Follow these instructions to clean and/or replace parts of burner assembly or if you have trouble igniting grill.

1. Turn gas off at control knobs and LP cylinder
2. Remove cooking grates and heat diffusers.
3. Remove cotter pin from rear of burners.
4. Carefully lift each burner up and away from valve openings.

We suggest three ways to clean the burner tubes. Use the one easiest for you.

- (A) Bend a stiff wire (a light weight coat hanger works well) into a small hook. Run the hook through each burner tube several times.

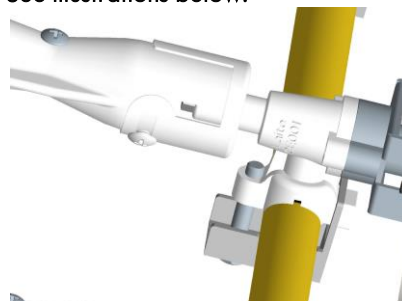


- (B) Use a narrow bottle brush with a flexible handle (do not use a brass wire brush), run the brush through each burner tube several times.

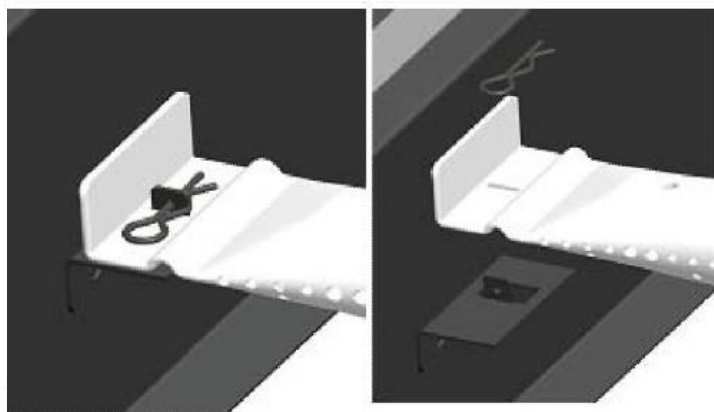
- (C) Wear eye protection: Use an air hose to force air into the burner tube and out the burner ports. Check each port to make sure air comes out each hole.

5. Wire brush entire outer surface of burner to remove food residue and dirt.
6. Clean any blocked ports with a stiff wire such as an open paper clip.
7. Check burner for damage, due to normal wear and corrosion some holes may become enlarged. If any large cracks or holes are found replace burner.

VERY IMPORTANT: Burner tubes must reengage valve openings. See illustrations below.

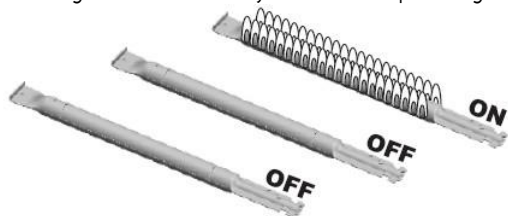


8. Carefully replace burners.
9. Attach burners to brackets with cotter pin.
10. Reposition carryover tubes and attach to burners. Replace heat diffusers and cooking grates.



Indirect Cooking

Poultry and large cuts of meat cook slowly to perfection on the grill by indirect heat. Place food over unlit burner(s); the heat from lit burners circulates gently throughout the grill, cooking meat or poultry without the touch of a direct flame. This method greatly reduces flare-ups when cooking extra fatty cuts because there is no direct flame to ignite the fats and juices that drip during cooking.

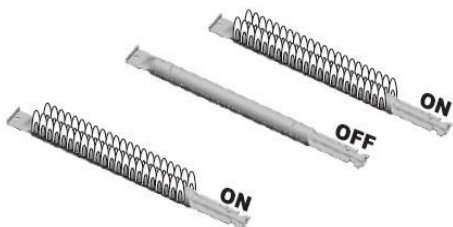


1 Burner Cooking

Cook with direct or indirect heat.
Best for smaller meals or foods.
Consumes less fuel.

Indirect Cooking Instructions

- Always cook with the lid closed.
- Once burners are lit, extinguish an individual burner by turning its knob to OFF.
- Due to weather conditions, cooking times may vary. During cold and windy conditions the temperature setting may need to be increased to insure sufficient cooking heat.
- Place food over unlit burner(s).



2 Burner Cooking

Great indirect cooking on low.
Produces slow, even heating.
Ideal for slow roasting and baking.

Food Safety

Food safety is a very important part of enjoying the outdoor cooking experience. To keep food safe from harmful bacteria, follow these four basic steps:

Clean: Wash hands, utensils, and surfaces with hot soapy water before and after handling raw meat and poultry.

Separate: Separate raw meats and poultry from ready-to-eat foods to avoid cross contamination. Use a clean platter and utensils when removing cooked foods.

Cook: Cook meat and poultry thoroughly to kill bacteria. Use a thermometer to ensure proper internal food temperatures.

Chill: Refrigerate prepared foods and leftovers promptly.

How To Tell If Meat Is Grilled Thoroughly

- Meat and poultry cooked on a grill often browns very fast on the outside. Use a meat thermometer to be sure food has reached a safe internal temperature, and cut into food to check for visual signs of doneness.
- Whole poultry should reach 180° F; breasts, 170° F. Juices should run clear and flesh should not be pink.
- Hamburgers made of any ground meat or poultry should reach 160° F, and be brown in the middle with no pink juices. Beef, veal and lamb steaks, roasts and chops can be cooked to 145° F. All cuts of pork should reach 160° F.
- NEVER partially grill meat or poultry and finish cooking later. Cook food completely to destroy harmful bacteria.
- When reheating takeout foods or fully cooked meats like hot dogs, grill to 165° F, or until steaming hot.

WARNING: To ensure that it is safe to eat, food must be cooked to the minimum internal temperatures listed in the table below.

USDA* Recommended Safe Minimum Internal Temperatures	
Beef, Veal, Lamb and Pork – Whole Cuts**	145° F
Fish	145° F
Beef, Veal, Lamb and Pork – Ground	160° F
Egg Dishes	160° F
Turkey, Chicken & Duck – Whole, Pieces & Ground	165° F

* United States Department of Agriculture

**Allow meat to rest three minutes before carving or consuming.

PART LIST

Key	Description	Qty	Part Number	Key	Description	Qty	Part Number
A01-A	Lid (Black)	1	30400004A	D02	Cotter pin	7	110050
A01-B	Lid (Red)	1	30400004B	D03-A	Grill Base (Black)	1	30400404A
A01-C	Lid (Teal)	1	30400004C	D03-B	Grill Base (Red)	1	30400404B
A01-D	Lid (Pearl)	1	30400004D	D03-C	Grill Base (Teal)	1	30400404C
A01-E	Lid (Azure)	1	30400004E	D03-D	Grill Base (Pearl)	1	30400404D
A01-F	Lid (Mocha)	1	30400004M	D03-E	Grill Base (Azure)	1	30400404E
A02	Temperature Gauge	1	40900218	D03-F	Grill Base (Mocha)	1	30400404F
A03	Logo	1	40800106	D04	Swivel Caster with Brake	2	20700048
A04	Lid Rubber Bumper, Front	2	40700103	D05	Standard Caster	1	40900214
A05	Insulation spacer handle	2	40700022	D06	Swivel Caster	1	40900213
A06	Lid Handle Bezel	2	40900013	D07-A	Back Rail (Black)	1	30400409A
A07	Lid handle	1	30400014	D07-B	Back Rail (Red)	1	30400409B
B01	Firebox	1	30400401	D07-C	Back Rail (Teal)	1	30400409C
B02	Rotate Rod, Lid	2	50300207	D07-D	Back Rail (Pearl)	1	30400409D
B03	Lid Rubber Bumper, rear	2	50300205	D07-E	Back Rail (Azure)	1	30400409E
B04	Left Back (Right Front) Side Shelf Bracket	2	30400061	D07-F	Back Rail (Mocha)	1	30400072M
B05	Left Front (Right Back) Side Shelf Bracket	2	30400063	D08-A	Left Panel (Black)	1	30400405A
B06	Main Burner Electrode L320	1	30400053	D08-B	Left Panel (Red)	1	30400405B
B07	Main Burner Electrode L480	1	30400052	D08-C	Left Panel (Teal)	1	30400405C
B08	Main Burner Electrode L150	1	30400054	D08-D	Left Panel (Pearl)	1	30400405D
B09	Back Support bar	1	30400035	D08-E	Left Panel (Azure)	1	30400405E
B10	Manifold Bracket	1	30400049	D08-F	Left Panel (Mocha)	1	30400405F
B11	Drip Tray	1	30400019	D09	Right-Front & Left-Front panel	2	30400406
B12	Front Support bar	1	30400033	D10-A	Panel Support Angle Bar (Black)	2	40900060
B13	Drip cup	1	40800026	D10-B	Panel Support Angle Bar (Red)	2	40900060B
B14	Drip Cup Clip	1	40800131	D10-C	Panel Support Angle Bar (Teal)	2	40900060C
B15	Back Panel, Firebox	1	30400402	D10-D	Panel Support Angle Bar (Pearl)	2	40900060D
B16	Warming Rack	1	30400029	D10-E	Panel Support Angle Bar (Azure)	2	40900060E
B17	Cooking Grate	2	30400030	D10-F	Panel Support Angle Bar (Mocha)	2	40900060M
B18	Heat Diffuser	3	40800023	D11-A	Front Panel (Black)	1	30400407A
B19	Main burner	3	30400037	D11-B	Front Panel (Red)	1	30400407B
C01	Gas Valve	3	30400050	D11-C	Front Panel (Teal)	1	30400407C
C02	Manifold	1	30400047	D11-D	Front Panel (Pearl)	1	30400407D
C03	Hose retaining Pin	1	30400117	D11-E	Front Panel (Azure)	1	30400407E
C04	Regulator	1	30400051	D11-F	Front Panel (Mocha)	1	30400407F
C05	Control Panel	1	30400040	D12-A	Right Panel (Black)	1	30400408A
C06	Bezel, Control Knob	3	30400114	D12-B	Right Panel (Red)	1	30400408B
C07	Side shelf front bracket	2	30400120	D12-C	Right Panel (Teal)	1	30400408C
C08	Electronic ignition module	1	30400403	D12-D	Right Panel (Pearl)	1	30400408D
C09	Control Knob	3	40900206	D12-E	Right Panel (Azure)	1	30400408E
C10	Left Side Shelf	1	30400057	D12-F	Right Panel (Mocha)	1	30400408F
C11	Right Side Shelf	1	30400065	D13	Match Holder Bracket	1	40800129
C12	Hook	6	40800123	D14	Match Holder Chain	1	120003
C13	Side Shelf Handle	2	40800099	D15	Match Holder	1	40800128
D01	Tank holder	1	20700049				

Not Pictured

Hardware Pack	1	30400410
Manual	1	30400412Z



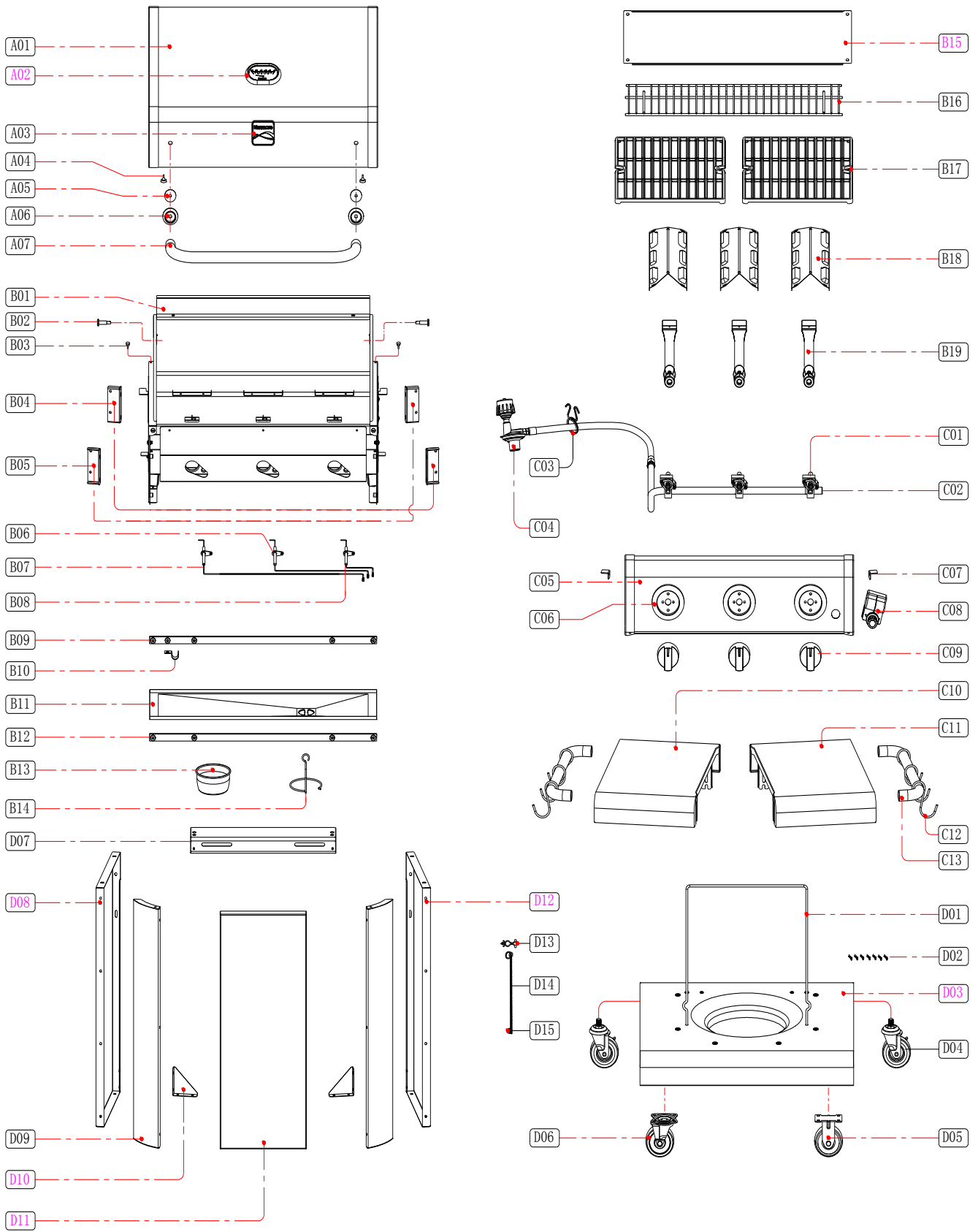
If you are missing hardware or have damaged parts after unpacking grill, call 1-888-287-0735 for replacement.

To order replacement parts after using grill, call 1-888-287-0735

Or Visit us at www.permasteel.net

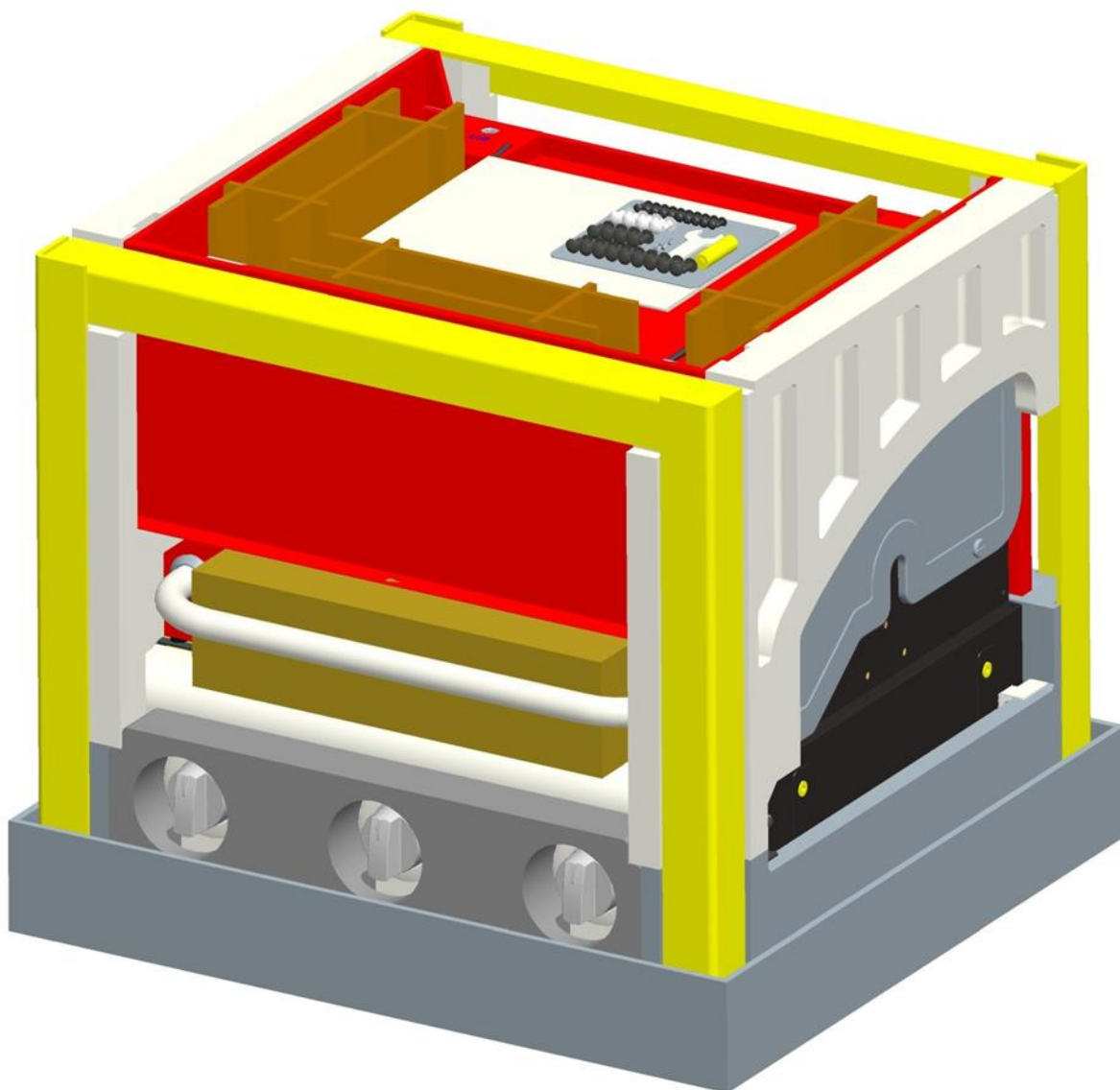
NOTE: Some grill parts shown in the assembly steps may differ slightly in appearance from Those on your particular grill model. However, the method of assembly remains the same.

DIAGRAM

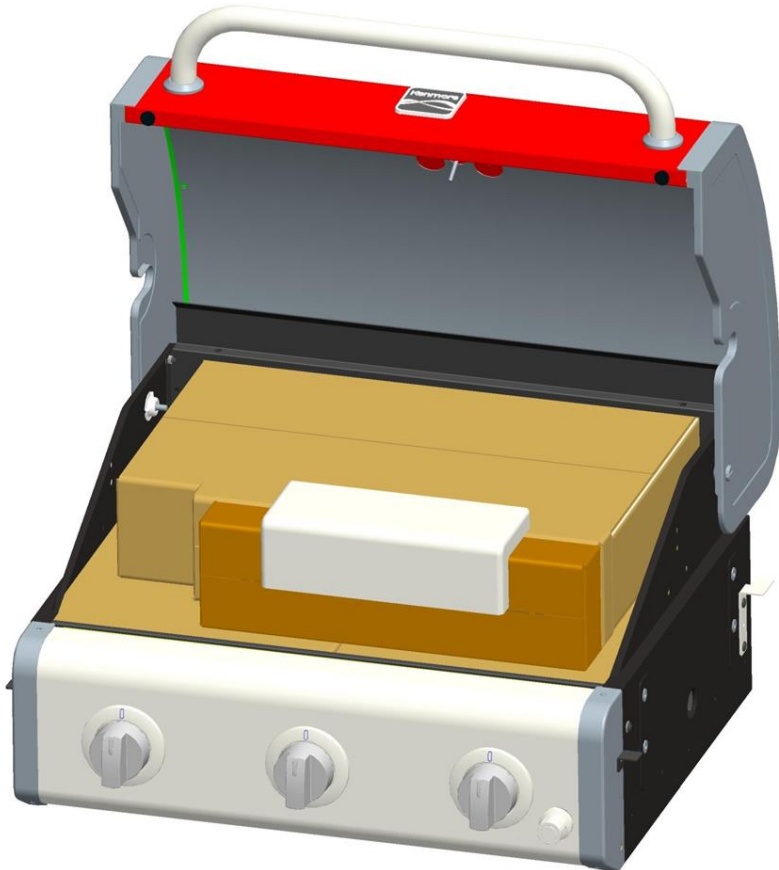
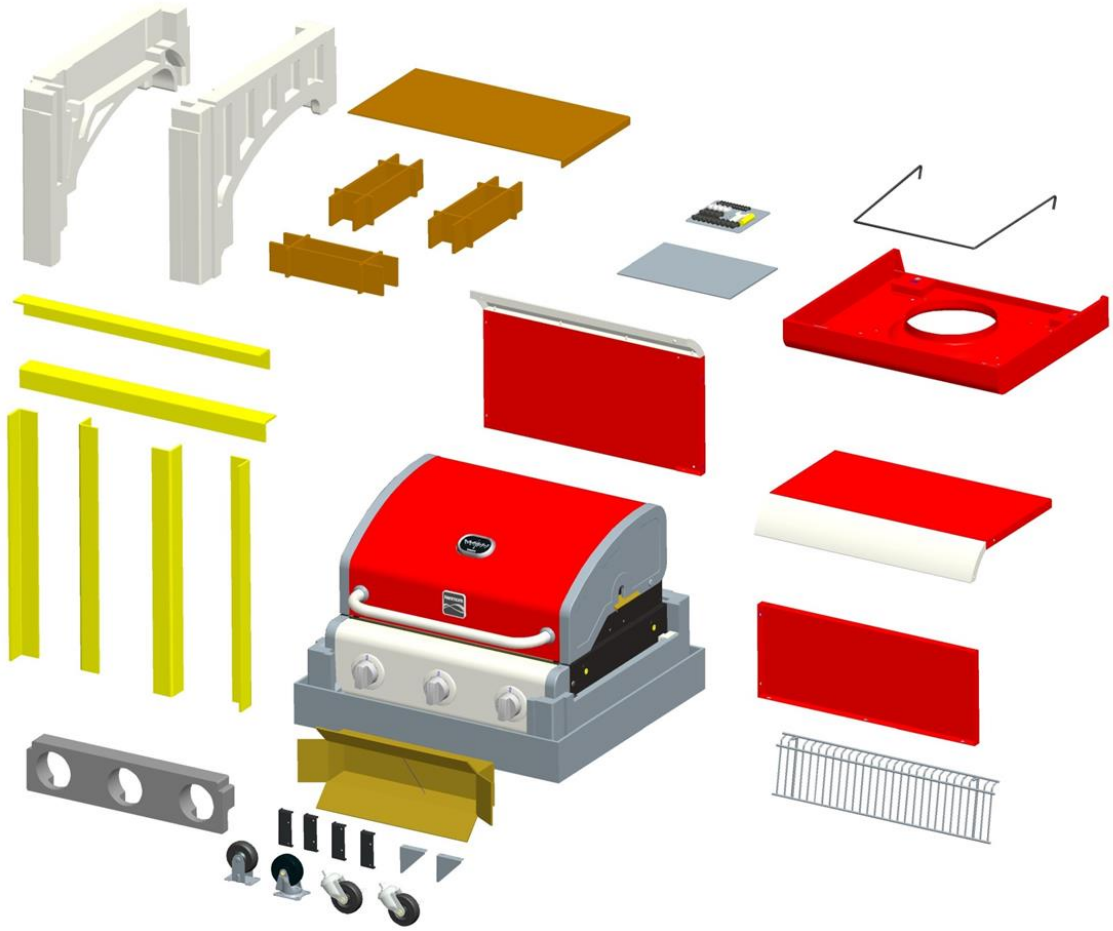


BEFORE ASSEMBLY

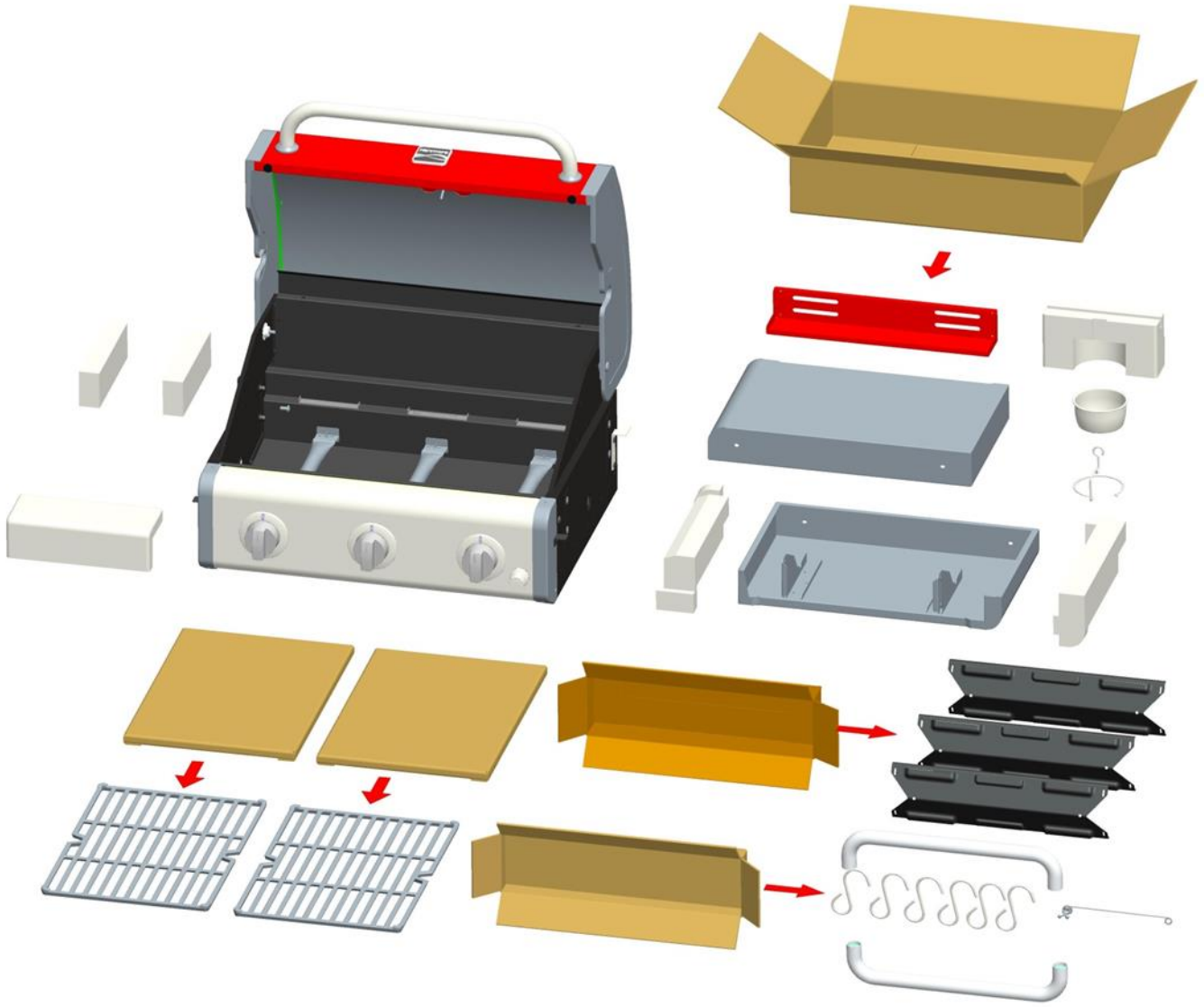
NOTICE: Once you have unpacked the grill, check all the grill parts against the pictures on this and the following two pages. If any parts are missing or damaged, please call 1-888-287-0735.



BEFORE ASSEMBLY



BEFORE ASSEMBLY


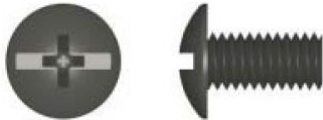

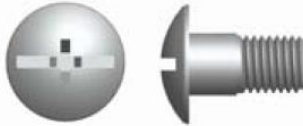




ASSEMBLY

CAREFULLY READ AND PERFORM ALL ASSEMBLY INSTRUCTIONS ON THE FOLLOWING PAGES.

Tools Required:

- Adjustable wrench (not provided)
- Screwdriver (not provided)
- 7/16" Combination wrench (not provided)
- The following hardware is provided in a blister pack for convenient use.

M4X10 screw Qty: 20 pcs 	M6X13 screw Qty: 26 pcs 	AA Battery Qty: 1 pc 
M6X12 shoulder screw Qty: 8 pcs 	Cotton Pins Qty: 2 pcs 	Hexagon Wrench Qty: 1 pc 

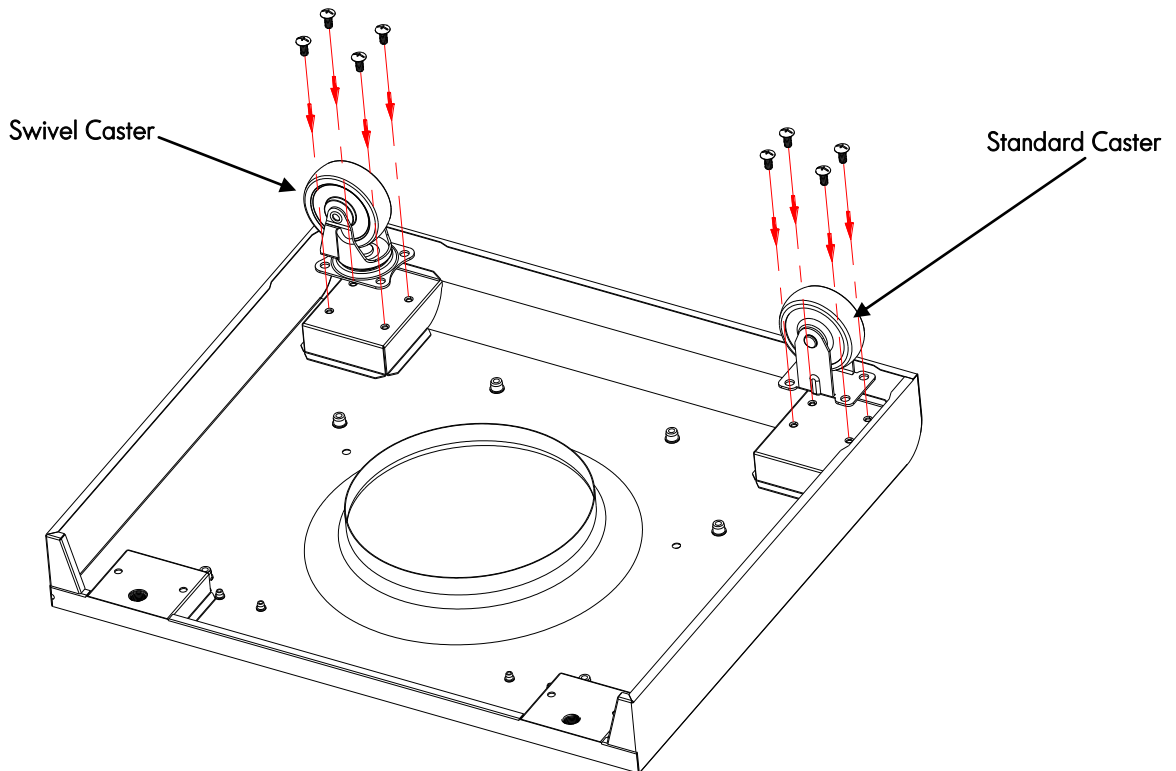
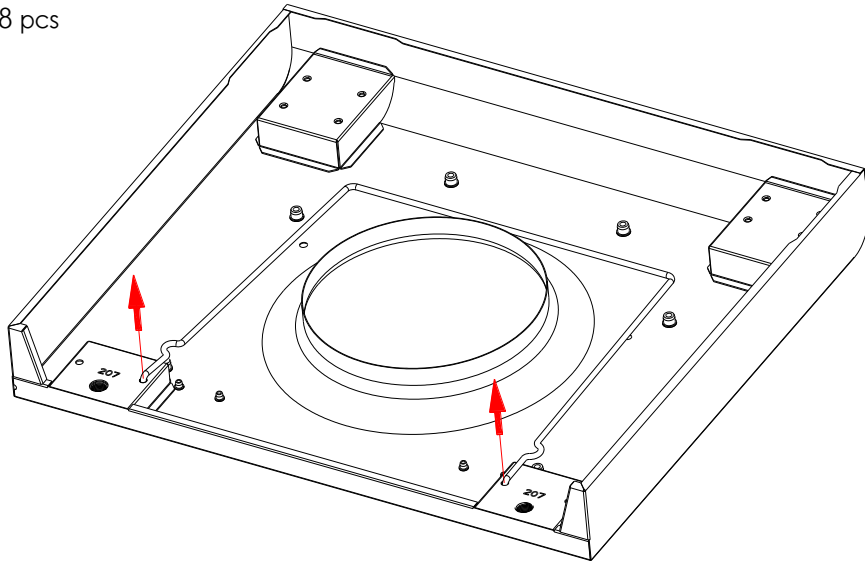
1

Grill Base

- Turn the Grill Base upside down. Remove the Tank Holder from the underside of the base. Set tank holder aside.
- Use (4) M6x13 screws each to attach the Swivel Caster to the corner on your left and the Standard Caster to the corner on your right.



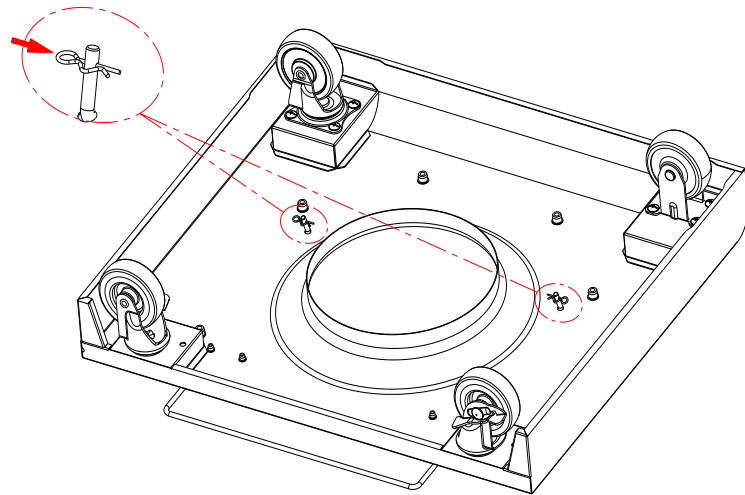
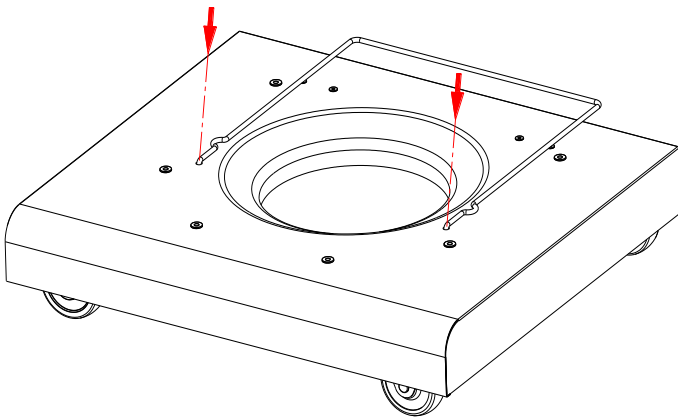
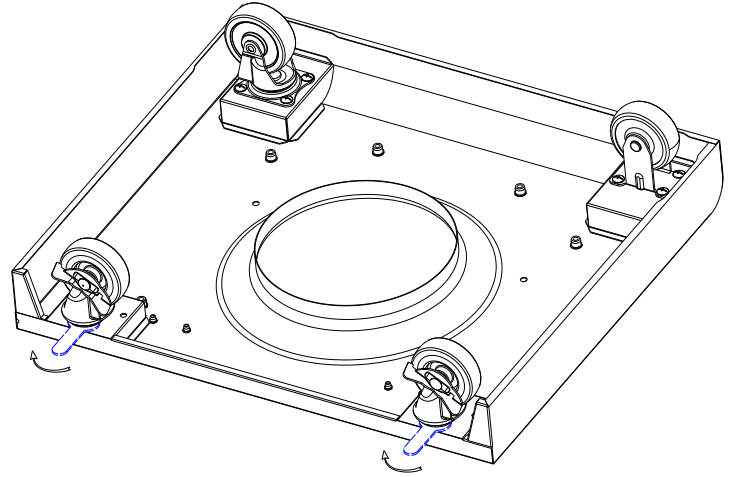
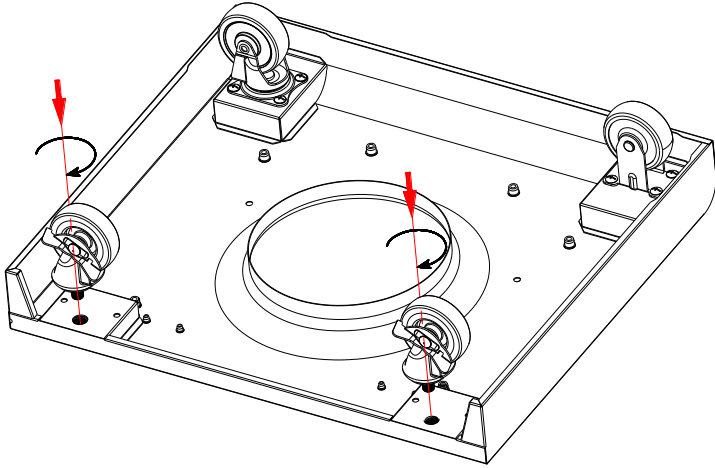
M6X13 screw Qty: 8 pcs



2

Grill Base

- Twist each Swivel Caster with Brake into the other two corners of the grill base. Use the wrench provided to firmly tighten the casters in place.
- Turn the grill base right side up. Insert the ends of the tank holder into the two holes as shown.
- Turn the grill base upside down. Insert a cotter pin into each end of the tank holder to secure in place.



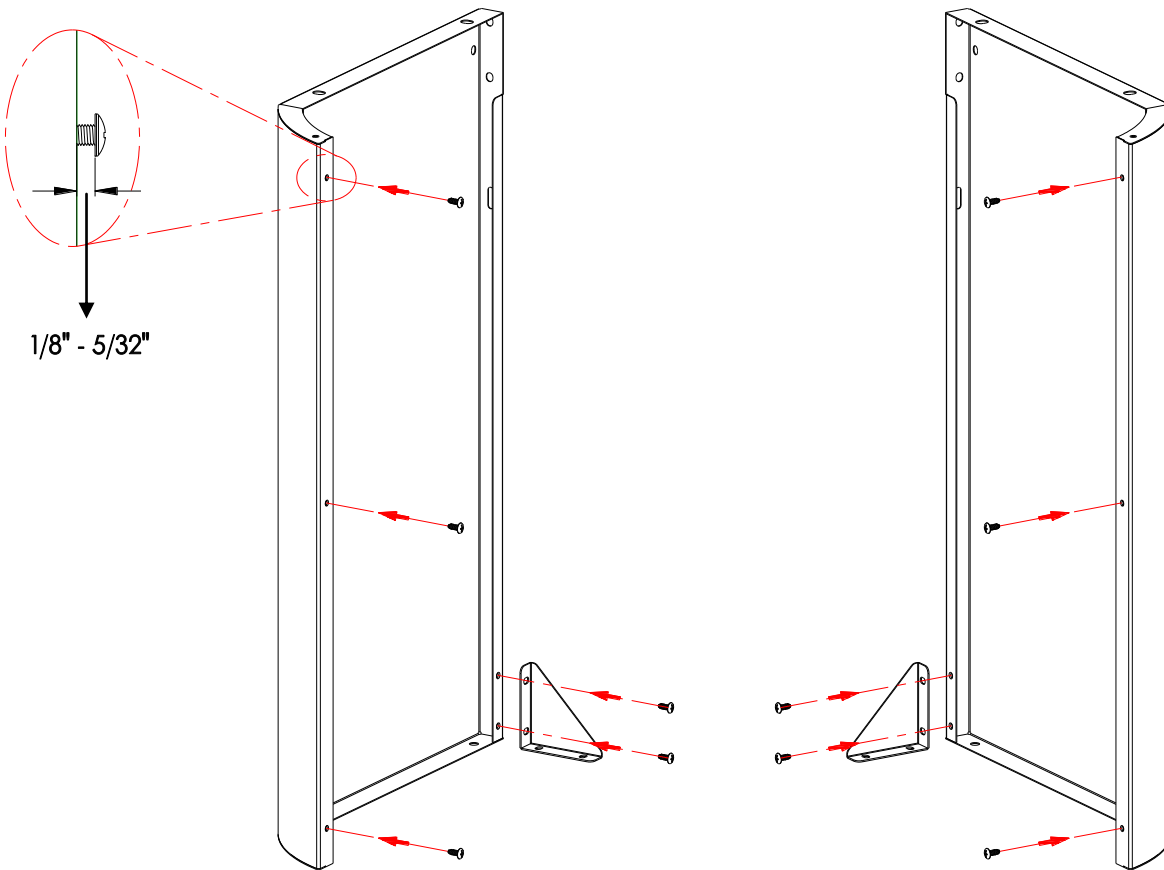
3

Pedestal

- Attach but do not fully tighten the panel support angle bars to left and right side panels with (2) M4x10 screws.
- Attach (3) M4x10 screws to left and right side panels as shown, leaving a $1/8'' - 5/32''$ gap between panel and head of screw.



M4X10 screw Qty: 10 pcs

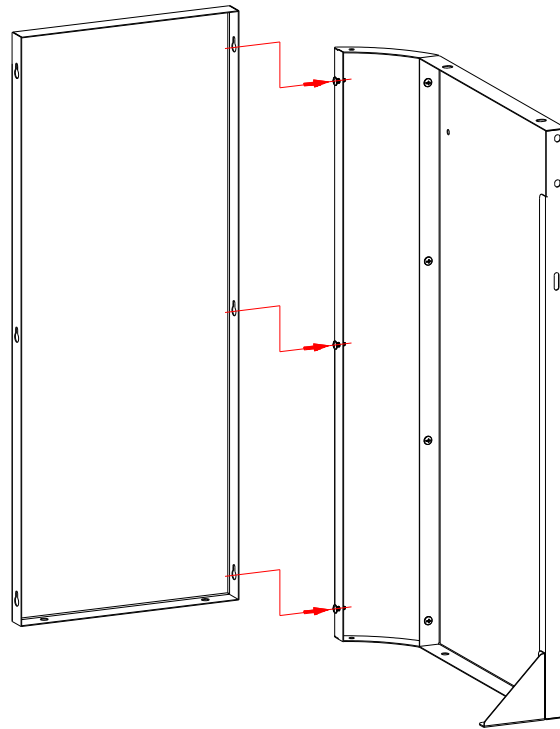


4

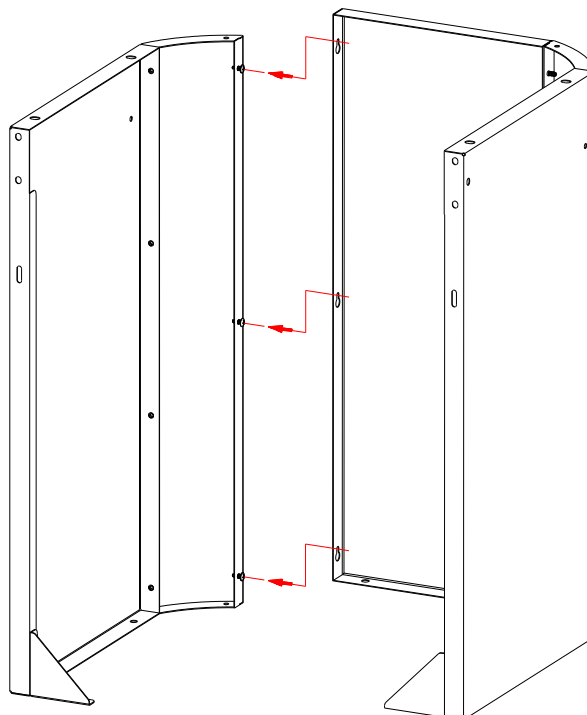
Pedestal

- A- Attach front panel to left side panel. Push wide ends of key holes over screw heads and slide front panel down. Fully tighten screws.
- B- Attach front panel to right side panel. Push wide ends of key holes over screw heads and slide front panel down. Fully tighten screws.

A



B



5

Pedestal

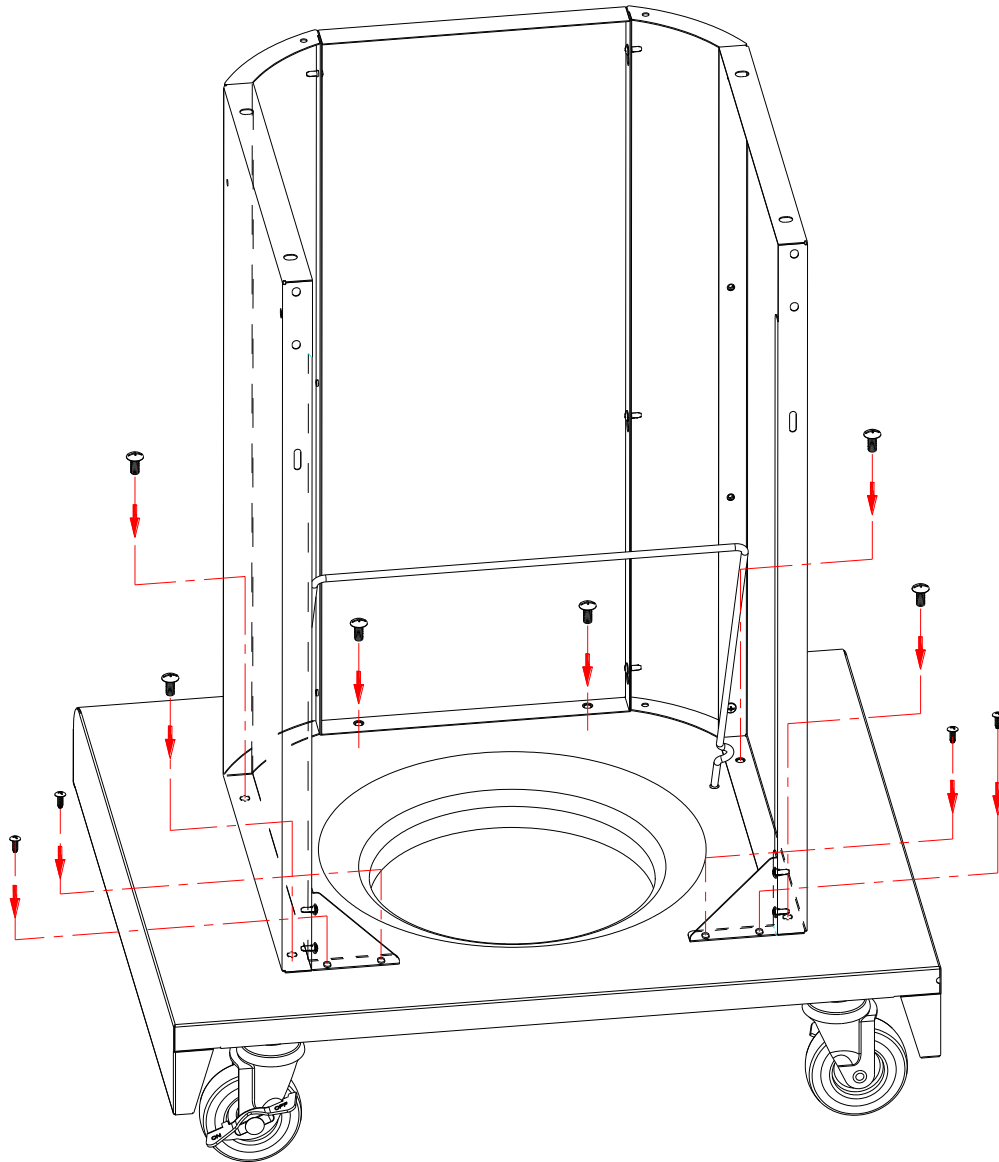
- Use (6) M6x13 screws as shown to attach pedestal panels to grill base.
 - Use (2) M4x10 screws as shown to attach each panel support angle bar to grill base.
- Fully tighten screws left partially tightened in step 3.



M6X13 screw Qty: 6 pcs



M4 X10 screw Qty: 4 pcs



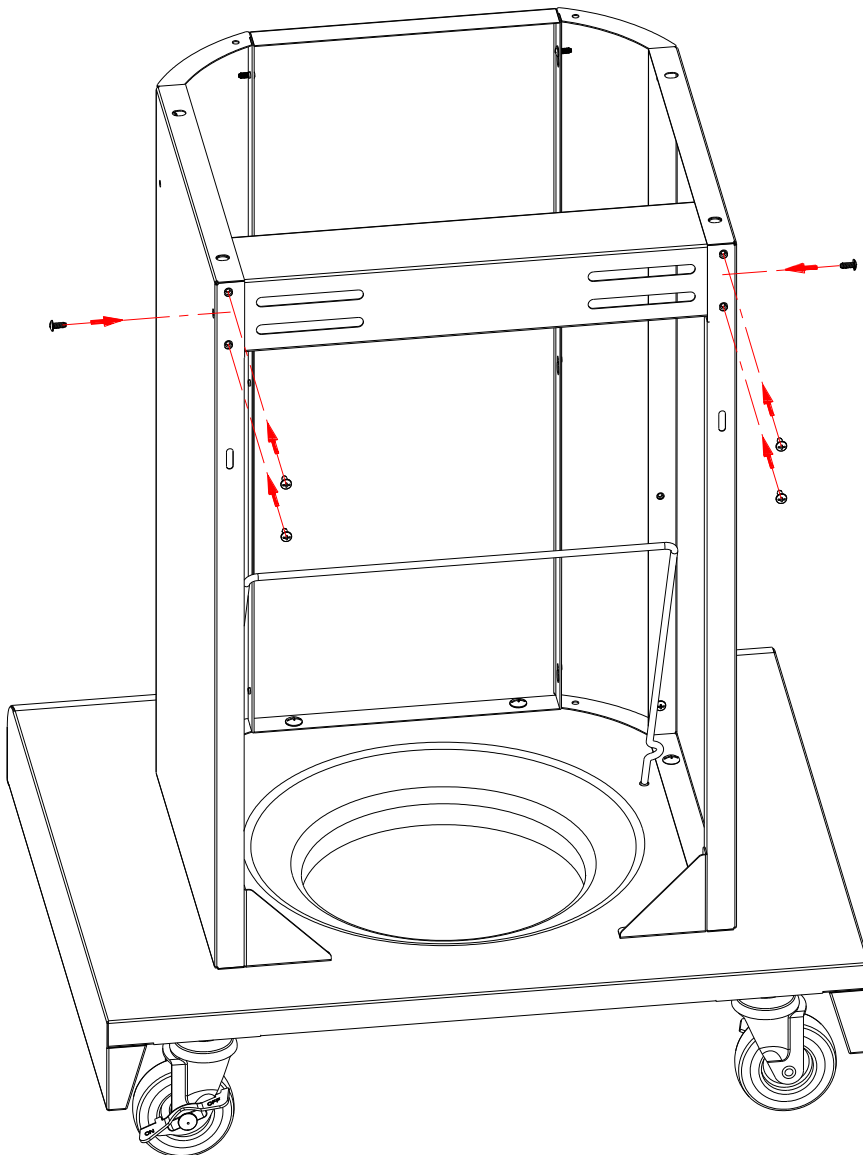
6

Pedestal

- Use (6) M4x10 screws to attach the Back Rail to the rear of the pedestal as shown.



M4x10 screw Qty: 6 pcs



7

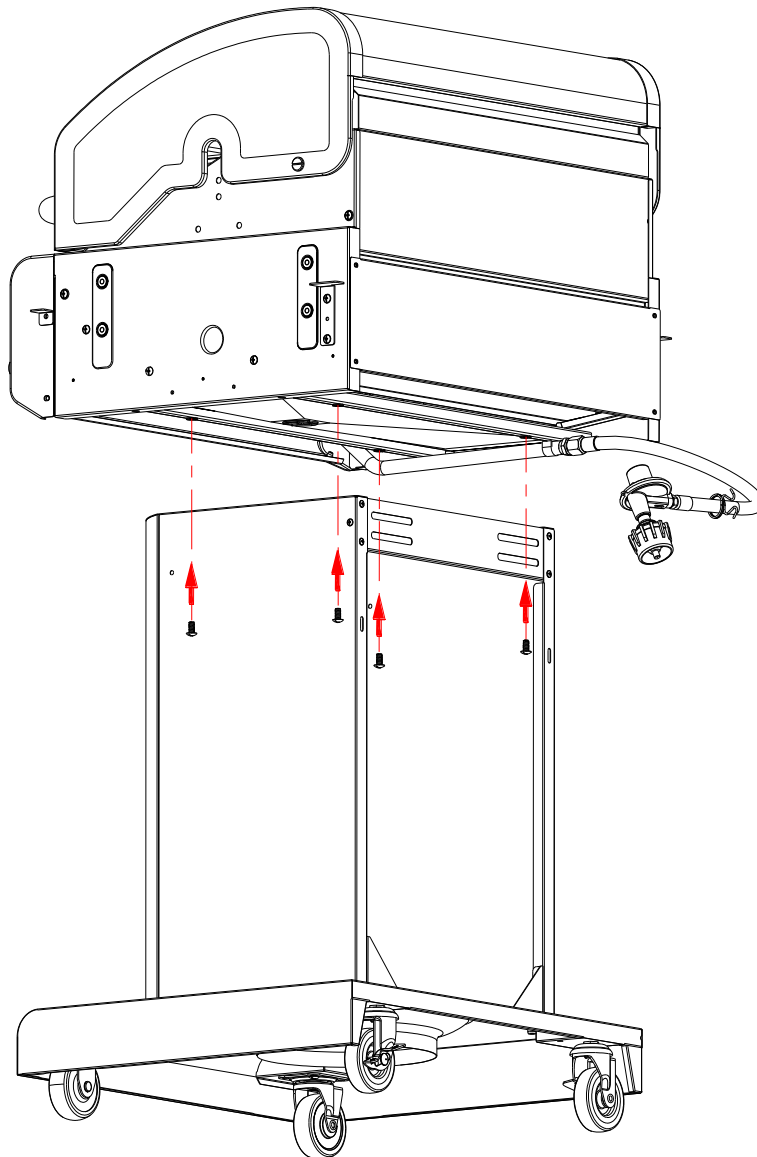
Grill Head to Pedestal

CAUTION: To avoid possible injury, two people are required to perform this step.

- Remove any wire ties holding the regulator and gas hose under the grill head, making sure the hose hangs freely.
- With the aid of an assistant, carefully lower the grill head onto the pedestal.
- While your assistant steadies the grill head on the pedestal, use (4) M6x13 screws from underneath grill head to attach head to pedestal.

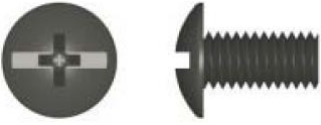


M6X13 screw Qty: 4 pcs

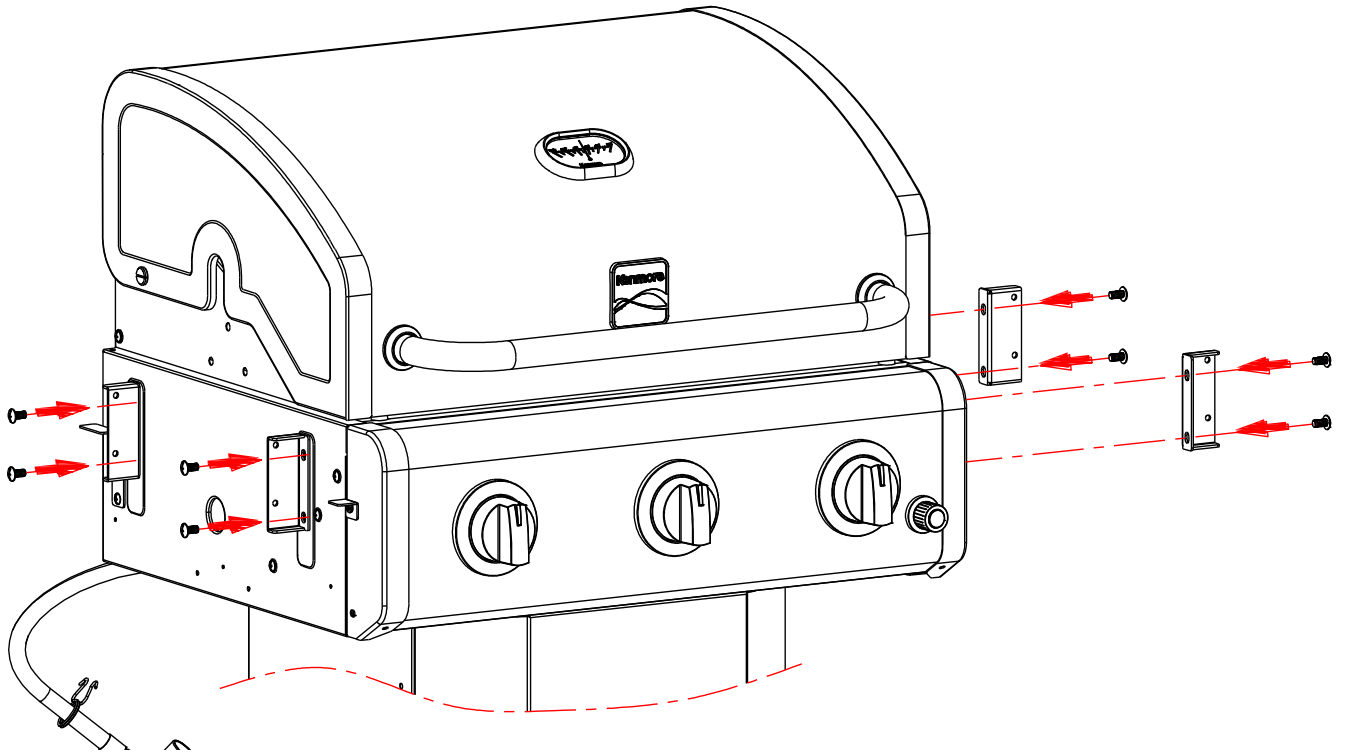


8

- Attach the 4 side shelf support brackets to firebox with (8) M6x13 screws, as shown. There is a location label on each bracket.



M6X13 screw Qty: 8 pcs

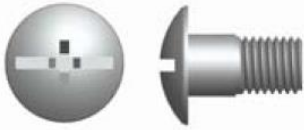


9

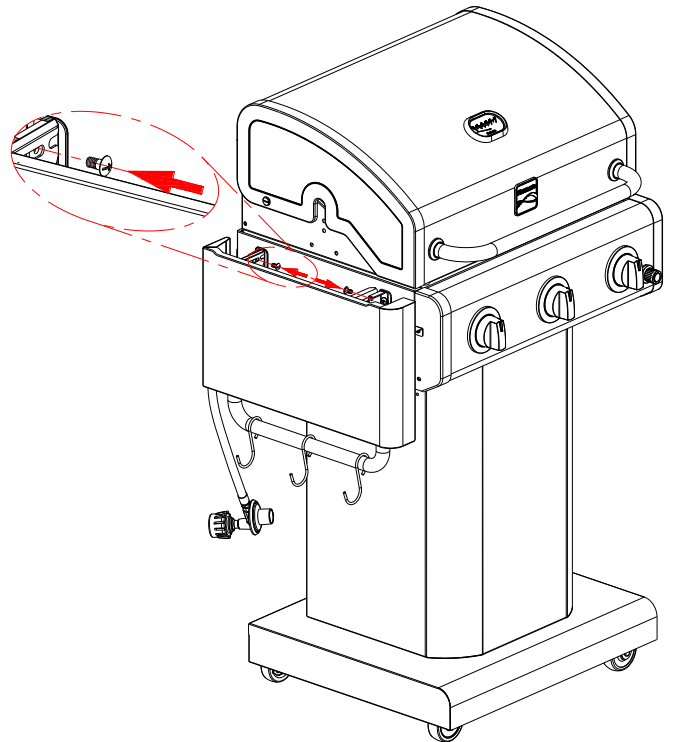
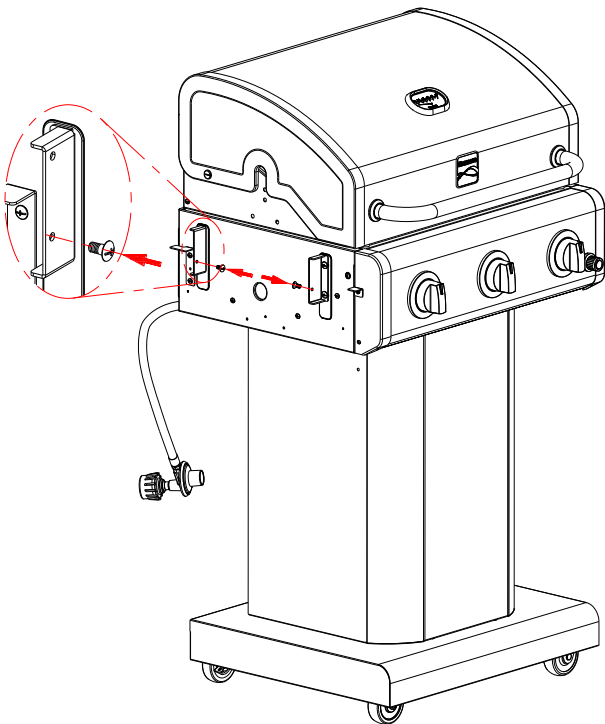
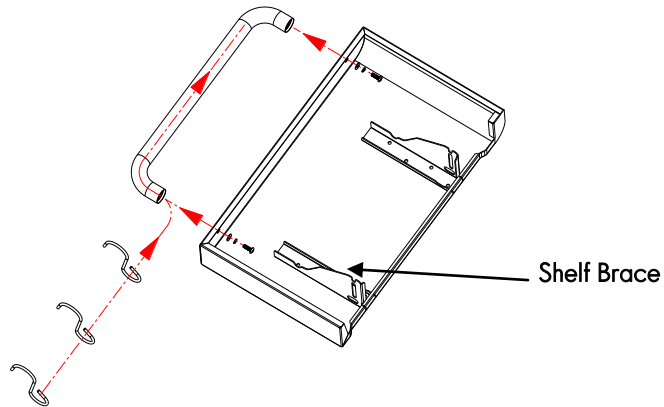
Folding Side Shelves

Perform the procedure below for both the Left and Right Side Shelf. Left side is shown below.

- Slide 3 accessory hooks onto the shelf handle in the orientation shown below. Hook ends must face away from grill body.
- Remove the screws, lock washers and flat washers preattached to the handle ends, and use them to attach the handle to the shelf.
- Screw (1) M6x12 shoulder screws into the lower hole of each shelf support bracket.
- Hang back of shelf onto front of support brackets as shown. Hold shelf in position while performing the next step.
- Screw (1) M6x12 shoulder screw through the upper slot in each shelf support brace into the upper hole of each shelf support bracket.



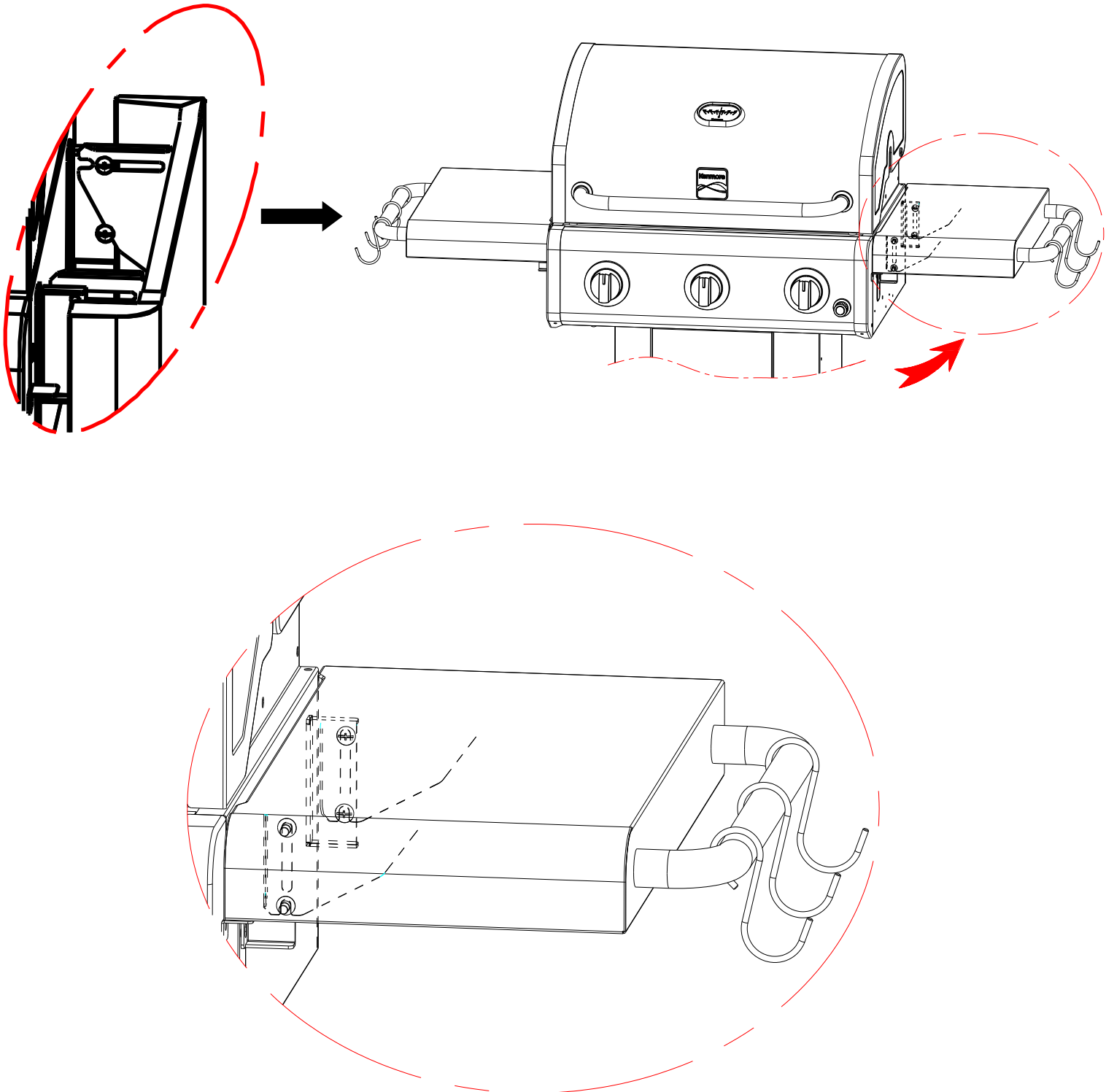
M6X12 shoulder screw Qty: 4 pcs



10

Raise and Lower Shelves

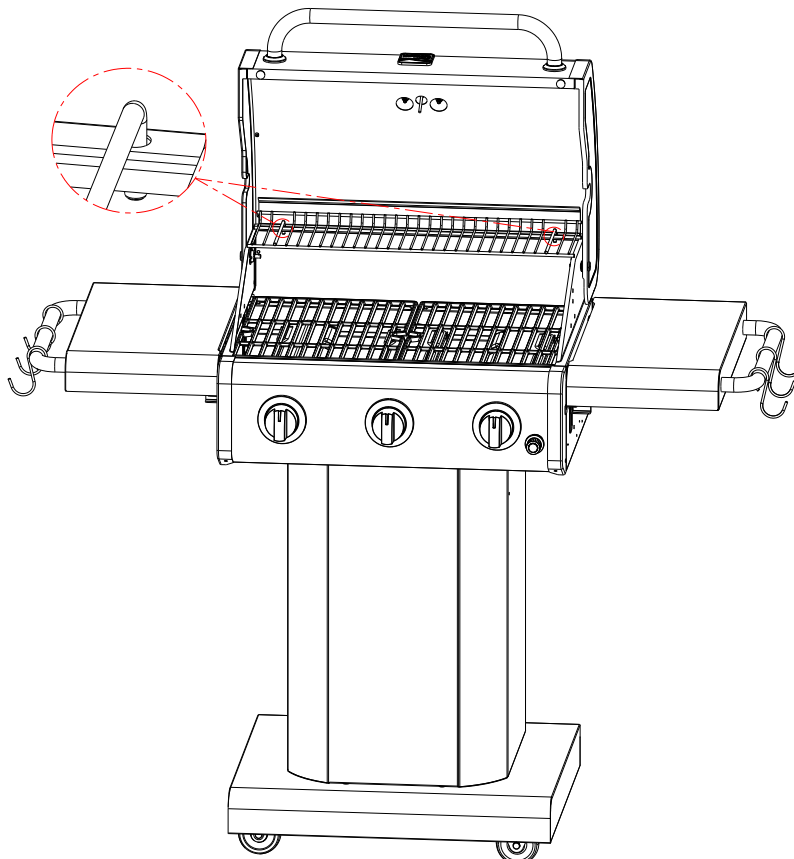
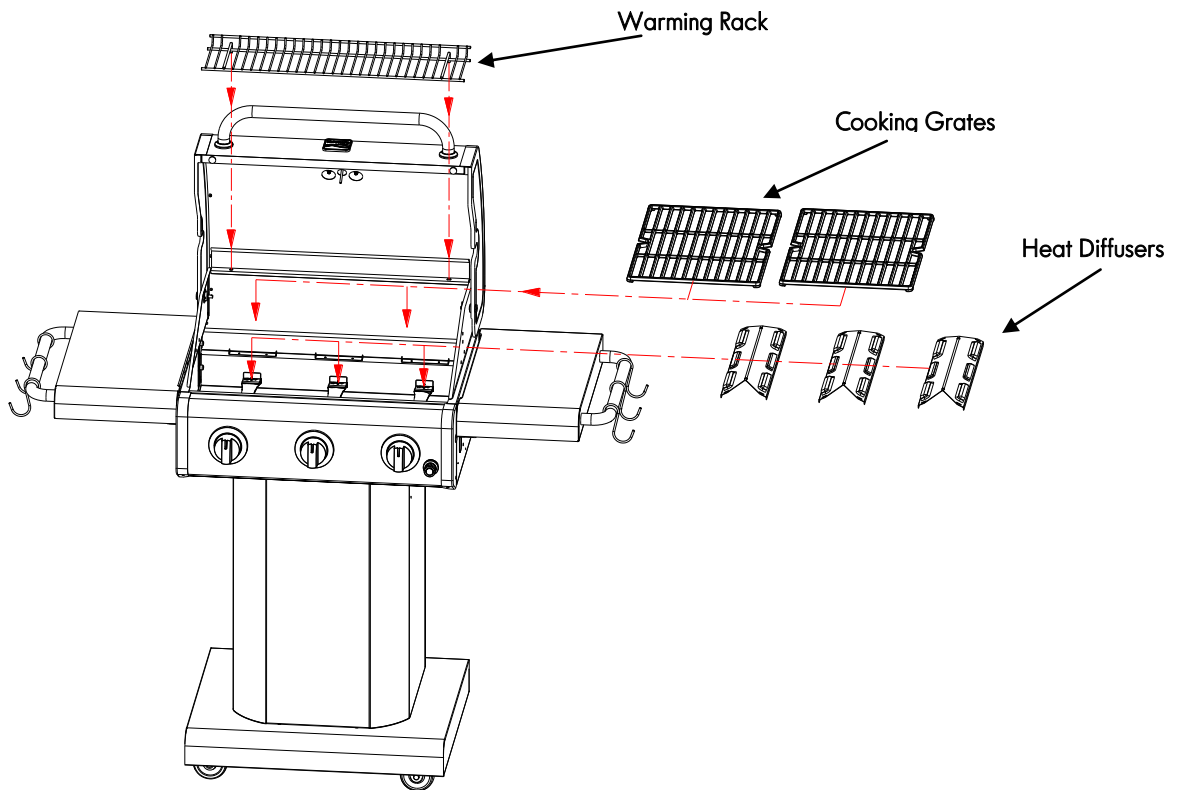
- To raise the shelves, grasp shelf by sides and lift up until slots at bottom of shelf braces clear lower shoulder screws in shelf support brackets. Lower shelf slightly for slots to secure onto screws.
- To lower the shelves, grasp shelf by sides and lift up to raise brace slots from bracket shoulder screws. Fold shelf down into position at side of pedestal.



11

Heat Diffusers, Cooking Grates, Warming Rack:

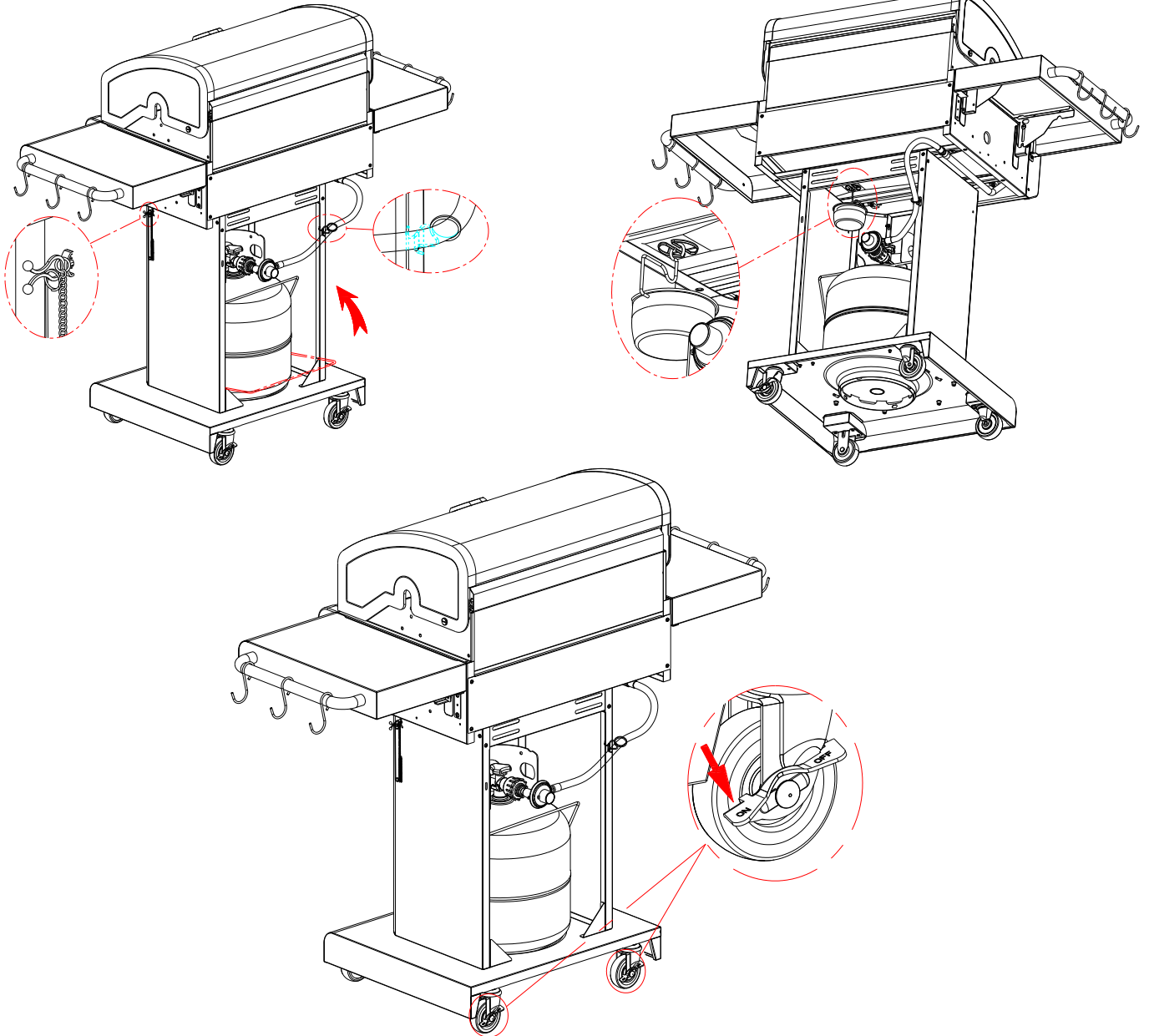
- Place heat diffusers over burners. Diffusers will fit in firebox in either direction. Fit tabs in firebox front through slots in diffuser tips. Fit diffuser tips beside tabs in firebox rear.
- Place cooking grates onto grate rests.
- Insert the tabs at the back of the warming rack into the holes in the rear panel.



12

Drip Cup

- LP tank is sold separately. Use only with an OPD (over-fill protection device) equipped LP tank. Fill and leak check before attaching to grill and regulator. Place LP tank into hole in grill base with tank collar opening facing to back as shown. Raise tank holder to hold LP tank securely in place. Secure the regulator hose to the slot hole of right side panel with hose retaining pin.
- Hang drip cup clip from bottom of firebox and place Drip cup into Drip cup clip.
- Unscrew igniter cap from control panel. Insert one AA battery (provided) into battery slot with positive end (+) facing outward. Screw cap back onto panel.
- Roll grill into place of operation. Once in place, press down on the locking levers of both Swivel Casters with Brake to lock casters in place, preventing grill from moving during grill operation. See bottom figure below.



	CAUTION	
Failure to install Drip cup clip and cup will cause hot Drip to drip from bottom of grill with risk of fire or property damage.		

	CAUTION	
Failure to install tank correctly may allow gas hose to be damaged in operation.		

EMERGENCIES: If a gas leak cannot be stopped, or a fire occurs due to gas leakage, call the fire department.

Problem	Possible Cause	Prevention / Solution
Gas leaking from cracked/cut/burned hose.	<ul style="list-style-type: none"> Damaged hose. 	<ul style="list-style-type: none"> Turn off gas at LP cylinder or at source on natural gas systems. If the hose is cracked or cut but not burned, simply replace valve / hose / regulator. If the hose is burned, the cause could be other than a faulty valve/hose/regulator. Discontinue use of grill until a plumber or gas technician has investigated and corrected the problem.
Gas leaking from LP cylinder.	<ul style="list-style-type: none"> Mechanical failure due to rusting or mishandling. 	<ul style="list-style-type: none"> Replace LP cylinder.
Gas leaking from LP cylinder valve.	<ul style="list-style-type: none"> Failure of cylinder valve from mishandling or mechanical failure. 	<ul style="list-style-type: none"> Turn off LP cylinder valve. Return LP cylinder to gas supplier.
Gas leaking between LP cylinder and regulator connection.	<ul style="list-style-type: none"> Improper installation, connection not tight, failure of rubber seal. 	<ul style="list-style-type: none"> Turn off LP cylinder valve. Remove regulator from cylinder and visually inspect rubber seal for damage. See LP Cylinder Leak Test and Connecting Regulator to the LP Cylinder.
Fire coming through control panel.	<ul style="list-style-type: none"> Fire in burner tube section of burner due to blockage. 	<ul style="list-style-type: none"> Turn off control knobs and LP cylinder valve. Leave lid open to allow flames to die down. After fire is out and grill is cold, remove burner and inspect for spider nests or rust. See Spider Alert and Cleaning the Burner Assembly sections of this Use & Care Guide.
Drip fire or continuous excessive flames above cooking surface.	<ul style="list-style-type: none"> Too much Drip buildup in burner area. 	<ul style="list-style-type: none"> Turn off control knobs and LP cylinder valve. Leave lid open to allow flames to die down. After cooling, clean food particles and excess Drip from inside firebox area, Drip tray, and other surfaces.

Troubleshooting

Problem	Possible Cause	Prevention/Solution
<p>Burner(s) will not light using igniter. (See Electronic Ignition Troubleshooting also)</p> <p>Continued on next page.</p>	<p>GAS ISSUES:</p> <ul style="list-style-type: none"> Trying to light wrong burner. Burner not engaged with control valve. Obstruction in burner. No gas flow. Vapor lock at coupling nut to LP cylinder. Coupling nut and LP cylinder valve not fully connected. Electrode cracked or broken; "sparks at crack. Electrode tip not in proper position. <ul style="list-style-type: none"> Wire and/or electrode covered with cooking residue. Wires are loose or disconnected. Wires are shorting (sparking) between igniter and electrode. <ul style="list-style-type: none"> Dead battery. 	<ul style="list-style-type: none"> See instructions on control panel and in Use and Care section. Make sure valves are positioned inside of burner tubes. Ensure burner tubes are not obstructed with spider webs or other matter. See cleaning section of Use and Care. Make sure LP cylinder is not empty. If LP cylinder is not empty, refer to "Sudden drop in gas flow." Turn off knobs and disconnect coupling nut from LP cylinder. Reconnect and retry. Turn the coupling nut approximately one-half to three-quarters additional turn until solid stop. Tighten by hand only - do not use tools. Replace electrode(s). <p>Main Burners:</p> <ul style="list-style-type: none"> Tip of electrode should be pointing toward gas port opening on burner. The distance should be 1/8" to 1/4". Adjust if necessary. <ul style="list-style-type: none"> Clean wire and/or electrode with rubbing alcohol and clean swab. Reconnect wires or replace electrode/wire assembly. Replace igniter wire/electrode assembly. <ul style="list-style-type: none"> Replace with a new AA-size alkaline battery.

Troubleshooting (continued)

Problem	Possible Cause	Prevention / Solution
Burner(s) will not light using igniter. (See Electronic Ignition Troubleshooting also)	ELECTRONIC IGNITION: <ul style="list-style-type: none"> • No spark, no ignition noise. • No spark, some ignition noise. • Sparks, but not at electrode or at full strength. 	<ul style="list-style-type: none"> • See Section I of Electronic Ignition System. • See Section II of Electronic Ignition System. • See Section III of Electronic Ignition System.
Burner(s) will not match light.	<ul style="list-style-type: none"> • See "GAS ISSUES:" on previous page. • Match will not reach. • Improper method of match-lighting. 	<ul style="list-style-type: none"> • Use long-stem match (fireplace match). • See "Match-Lighting" section of Use and Care.
Sudden drop in gas flow or low flame.	<ul style="list-style-type: none"> • Out of gas. • Excess flow valve tripped. • Vapor lock at coupling nut/LP cylinder connection. 	<ul style="list-style-type: none"> • Check for gas in LP cylinder. • Turn off knobs, wait 30 seconds and light grill. If flames are still low, turn off knobs and LP cylinder valve. Disconnect regulator. Reconnect regulator and leak-test. Turn on LP cylinder valve, wait 30 seconds and then light grill. • Turn off knobs and LP cylinder valve. Disconnect coupling nut from cylinder. Reconnect and retry.
Flames blow out.	<ul style="list-style-type: none"> • High or gusting winds. • Low on LP gas. • Excess flow valve tripped. 	<ul style="list-style-type: none"> • Turn front of grill to face wind or increase flame height. • Refill LP cylinder. • Refer to "Sudden drop in gas flow" above.
Flare-up.	<ul style="list-style-type: none"> • Drip buildup. • Excessive fat in meat. • Excessive cooking temperature. 	<ul style="list-style-type: none"> • Clean burners and inside of grill/firebox. • Trim fat from meat before grilling. • Adjust (lower) temperature accordingly.
Persistent Drip fire.	<ul style="list-style-type: none"> • Drip trapped by food buildup around burner system. 	<ul style="list-style-type: none"> • Turn knobs to OFF. Turn gas off at LP cylinder. Leave lid in position and let fire burn out. After grill cools, remove and clean all parts.
Flashback... (fire in burner tube(s)).	<ul style="list-style-type: none"> • Burner and/or burner tubes are blocked. 	<ul style="list-style-type: none"> • Turn knobs to OFF. Clean burner and/or burner tubes. See burner cleaning section of Use and Care.
Unable to fill LP cylinder.	<ul style="list-style-type: none"> • Some dealers have older fill nozzles with worn threads. 	<ul style="list-style-type: none"> • The worn nozzles don't have enough "bite" to engage the valve. Try a second LP dealer.
One burner does not light from other burner(s).	<ul style="list-style-type: none"> • Drip buildup or food particles in end(s) of carryover tube(s). 	<ul style="list-style-type: none"> • Clean carry-over tube(s) with wire brush.

Troubleshooting - Electronic Ignition

Problem	Possible Cause	Check Item	Prevention/Solution
SECTION I No sparks appear at any electrodes when control knob turned to HI; no noise can be heard from spark module.	<ul style="list-style-type: none"> Battery not installed properly. Dead battery. Button assembly not installed properly. Faulty spark module. 	<ul style="list-style-type: none"> Check battery orientation. Has battery been used previously? Check to insure threads are properly engaged. Button should travel up and down without binding. If no sparks are generated with new battery and good wire connections, module is faulty. 	<ul style="list-style-type: none"> Install battery (make sure that "+" and "-" connectors are oriented correctly, with "+" end up and "-" end down.) Replace battery with new AA-size alkaline battery. Unscrew button cap assembly and reinstall, making sure threads are aligned and engaged fully. Replace spark module assembly.
SECTION II No sparks appear at any electrodes when control knob turned to HI; noise can be heard from spark module.	<ul style="list-style-type: none"> Output lead connections not connected. 	<ul style="list-style-type: none"> Are output connections on and tight? 	<ul style="list-style-type: none"> Remove and reconnect all output connections at module and electrodes.
SECTION III Sparks are present but not at all electrodes and/or not at full strength	<ul style="list-style-type: none"> Output lead connections not connected. Electrical arc between output wires and grill frame. Weak battery. Electrodes are wet. Electrode(s) cracked or broken; sparks appear where cracked. 	<ul style="list-style-type: none"> Are output connections on and tight? If possible, observe grill in dark location. Operate ignition system and look for arcing between output wires and grill frame. All sparks present but weak or at slow rate. Has moisture accumulated on electrode and/or in burner ports? Inspect electrodes for cracks. 	<ul style="list-style-type: none"> Remove and reconnect all output connections at module and electrodes. If sparks are observed other than from burner(s), wire insulation may be damaged. Replace wires. Replace battery with a new AA-size alkaline battery. Use paper towel to remove moisture. Replace cracked or broken electrodes.
SECTION IV Grill is not getting hot only reaches 250 – 300 degrees	<ul style="list-style-type: none"> This typically occurs when you turn on your control knobs before you turn on the LP tank valve. If so this will activate the gas regulator safety device, the grill will only reach temperatures between 250 and 300F even with all burners on the high setting. 	<ul style="list-style-type: none"> Are regulator on and right? Make sure regulator is connected properly to the tank, and control knobs are all in the off position. 	<ul style="list-style-type: none"> Open the grill lid. Turn off all knobs on the control panel in front. Turn off the tank knob. Disconnect the regulator from the LP tank. Wait 30 seconds. Reconnect the regulator to the LP tank. Slowly open the LP tank knob all the way open. Do not put excessive force on the valve at the full open position to avoid damaging the valve. Turn on an appropriate control knob and light the grill per the lighting instructions.

PELIGRO

Si siente olor a gas:

1. Cierre el paso de gas al aparato.
2. Apague toda llama al descubierto.
3. Abra la tapa.
4. Si persiste el olor, aléjese del aparato y llame inmediatamente al proveedor local de gas o a los bomberos.

Medidas de seguridad para la instalación

- Por favor, lea este manual del usuario en su totalidad antes de usar la parrilla.
 - El incumplimiento de las enseñanzas impartidas en serio puede resultar en lesiones corporales y / o daños materiales.
 - Algunas partes de esta parrilla pueden tener bordes filosos. Por favor, use guantes protectores adecuados.
 - Use la parrilla únicamente con gas propano y con la unidad reguladora / de válvula suministrada.
- La instalación de la parrilla debe cumplir con las disposiciones de los códigos locales, o, en su defecto, con el **National Fuel Gas Code (o Código nacional sobre gases combustibles)**, y las normas **NFPA 54 / ANSI Z223.1** y **Natural Gas and Propane Installation Code (Código de la instalación del gas natural y del propano)**, **CSA B149.1**. El manejo y el almacenamiento de los cilindros de gas propano se debe realizar de conformidad con el código sobre gas propano **NFPA/ANSI 58**. No se debe usar la parrilla en vehículos de recreo ni en embarcaciones.
- Todos los accesorios eléctricos (tal como el asador) deben estar conectados a tierra de conformidad con los códigos locales, o con el **National Electrical Code (Código nacional sobre electricidad)**, **ANSI / NFPA 70**. Mantenga todo cable eléctrico o tubería de suministro de combustible alejados de las superficies calientes.
 - Esta parrilla únicamente cuenta con la certificación de seguridad para ser usada en los Estados Unidos. No la modifique para usarla en ningún otro lugar. Cualquier modificación puede poner en peligro su seguridad.

IMPORTANTE: Esta parrilla es para uso exclusivo al aire libre y no está destinada a ser instalada en o sobre vehículos de recreo o embarcaciones.

NOTA PARA EL INSTALADOR: Deja este manual del usuario con el cliente después de la entrega y / o instalación.

NOTA A LOS CONSUMIDORES: Deja este manual del usuario en un lugar conveniente para futura referencia.

ADVERTENCIA

1. No guarde ni use gasolina ni otros líquidos o gases inflamables cerca de éste ni de cualquier otro aparato.
2. No guarde un tanque de gas propano, que no esté conectado, cerca de éste ni de cualquier otro aparato.

Póngase en contacto con el servicio al cliente de permasteel para obtener ayuda y piezas
 Si tiene alguna pregunta o necesita ayuda durante el montaje, por favor llame al 1 - 888 - 287 - 0735.M - F 8: 00 - 5: 00
 Usted hablará con el representante del fabricante de la parrilla.
 Or Visit us at www.permasteel.net

Inscripción del producto

IMPORTANTE: Llene la siguiente información de inscripción.

Número de modelo _____

Número de serie _____

El número de serie se encuentra en la etiqueta de especificaciones de la parrilla.

Fecha de compra _____

PELIGRO

PELIGRO: Indica una situación peligrosa inminente que, de no evitarse, ocasionará la muerte o lesiones graves.

ADVERTENCIA

ADVERTENCIA: Indica una situación potencialmente peligrosa que, de no evitarse, podría causar la muerte o lesiones graves.

CAUTION

CAUTION: Indica una situación potencialmente peligrosa o práctica peligrosa que, de no evitarse, puede resultar en lesiones menores o moderadas.

CAUTION

Sólo para uso particular. No lo use para fines

TABLA DE CONTENIDO

Por tu seguridad.....	33
Grill Service Center.....	33
Información del registro del producto.....	33
Precauciones de seguridad de instalación.....	33
Símbolos de seguridad.....	33
Garantía de la parrilla Kenmore.....	35
Uso y cuidado.....	36-42
Lista de partes.....	43
Diagrama de piezas.....	44
Antes de la Asamblea.....	45-48
Asamblea.....	49-60
Solución de problemas.....	61-63

	ADVERTENCIA	
<p>Los subproductos de la combustión producidos al usar este producto incluyen monóxido de carbono, un químico conocido en el Estado de California como causante de defectos de nacimiento u otros daños reproductivos. Para obtener más información, vaya a www.P65Warnings.ca.gov</p>		

GARANTÍA LIMITADA DE KENMORE

CON LA PRUEBA DE VENTA: se aplica la siguiente cobertura de garantía cuando este dispositivo se instala, opera y mantiene correctamente de acuerdo con todas las instrucciones suministradas. Nota: El consumidor es responsable del envío y manejo de todas las piezas de repuesto bajo garantía.

POR UN AÑO: a partir de la fecha de venta, esta parrilla está garantizada contra defectos en materiales o mano de obra, el consumidor recibirá piezas de repuesto gratis con el comprobante de compra, el consumidor es responsable del costo de S&H.

POR CINCO AÑOS: a partir de la fecha de venta, se reemplazará cualquier quemador de acero inoxidable que se corra o se queme, se debe proporcionar un comprobante de compra, el consumidor es responsable del costo de envío y manejo.

Toda la cobertura de la garantía excluye las baterías de ignición y la pérdida de pintura, decoloración o corrosión de la parte de la parrilla, que son piezas fungibles que pueden desgastarse debido al uso normal dentro del período de garantía, o son condiciones que pueden ser el resultado de un uso normal, accidente o mantenimiento inadecuado .

Toda la cobertura de la garantía se anulará si este aparato se utiliza para fines distintos de los domésticos. Para obtener detalles de la cobertura de la garantía para obtener piezas de repuesto, visite la página web: www.permasteel.net

Esta garantía cubre SOLO defectos en materiales y mano de obra, y NO pagará por:

1. Artículos fungibles que pueden desgastarse debido al uso normal dentro del período de garantía, incluidas, entre otras, las baterías. Bombillas de luz de base a rosca y recubrimientos o acabados de superficie.
2. Un técnico de servicio para limpiar o mantener este dispositivo, o para instruir al usuario sobre la correcta instalación, operación y mantenimiento del dispositivo.
3. Llamadas de servicio para corregir la instalación del aparato que no realizan los agentes de servicio autorizados de Permasteel, o para reparar problemas con los fusibles de la casa, los disyuntores, el cableado de la casa y los sistemas de plomería o suministro de gas resultantes de dicha instalación.
4. Daños o fallas de este aparato como resultado de la instalación no realizada por los agentes de servicio autorizados de Permasteel, incluida la instalación que no estaba de acuerdo con los códigos de electricidad, gas o plomería.
5. Daño o falla de este aparato, incluida la decoloración o el óxido de la superficie, si no se opera y mantiene correctamente de acuerdo con todas las instrucciones suministradas.
6. Daño o falla de este aparato, incluida la decoloración o la oxidación de la superficie, como resultado de un accidente, alteración, abuso, mal uso o uso para otro propósito que no sea el previsto.
7. Daño o falla de este aparato, incluida la decoloración o la oxidación de la superficie, causado por el uso de detergentes, limpiadores, productos químicos o utensilios que no sean los recomendados en todas las instrucciones suministradas con el producto.
8. Daños o fallas de este artefacto resultantes de catástrofes naturales o de otro tipo, como inundaciones, incendios o tormentas.
9. Daño o falla de partes o sistemas que resulten de modificaciones no autorizadas hechas a este aparato.
10. Haga el servicio a un aparato si el modelo y la placa de serie faltan, se modifican o no se puede determinar fácilmente que tengan el logotipo de certificación adecuado.

Renuncia de garantías implícitas; limitación de recursos

El único y exclusivo remedio del Cliente bajo esta garantía limitada será la reparación o el reemplazo del producto según lo dispuesto en el presente documento. Las garantías implícitas, incluidas las garantías de comercialización o adecuación para un propósito particular, están limitadas a un año en el aparato, y cinco años en los quemadores, o el período más corto permitido por la ley. El vendedor no será responsable por daños incidentales o consecuentes. Algunos estados y provincias no permiten la exclusión o limitación de daños incidentales o consecuentes, o la limitación en la duración de las garantías implícitas de comercialización o adecuación, por lo que estas exclusiones o limitaciones pueden no aplicarse a usted.

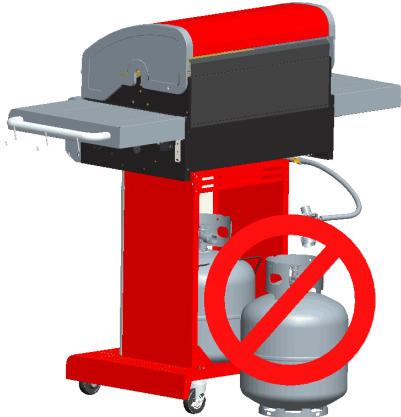
Esta garantía le otorga derechos legales específicos, y también puede tener otros derechos que varían de un estado a otro.



PELIGRO



- **NUNCA** guarde los cilindros de gas de repuesto debajo del aparato, cerca del mismo, ni en áreas cerradas.



Nunca cargue el tanque con más del 80% de su capacidad.

- Los tanques de gas propano de repuesto sobrecargados o mal llenados son peligrosos, ya que la válvula de seguridad puede dejar salir gas.

Esto puede provocar incendios intensos que pueden causar daños materiales, lesiones graves o la muerte.

- Si observa, huele o escucha una fuga de gas, aléjese de inmediato del cilindro y del aparato, y llame a los bomberos.

Remoción, transporte y almacenamiento del tanque de gas propano

- **CIERRE** todas las perillas de control y la válvula del tanque. Gire la tuerca de unión en sentido contrario a las agujas del reloj, a mano solamente; no use herramientas para desconectarla. Afloje el tornillo del tanque que se encuentra por debajo de el estante inferior, y luego levante el tanque y sáquelo del carro. Instale la tapa de seguridad en la válvula del tanque de gas.

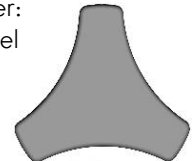


Tapa de seguridad
Tira de sujeción

- Use siempre la tapa y la tira que vienen con la válvula. Los otros tipos de cofias o tapones pueden dejar escapar el gas propano. **Si la tapa de seguridad no se usa tal como se indica, esto puede ocasionar lesiones o daños materiales graves.**
- No guarde el tanque de gas en lugares donde jueguen los niños.

Tanque de gas propano

- El tanque de gas que use con su parrilla debe cumplir los siguientes requisitos:
- Use únicamente tanques de gas que tengan las siguientes medidas obligatorias: 12" (30.5 cm) (diámetro) x 18" (45.7 cm) (altura), con una capacidad máxima de 20 lb. (9 kg).
- Debe estar fabricados y codificados según las especificaciones del Departamento de Transporte de los Estados Unidos (DOT), para tanques de gas propano. El código se encuentra en el collarín del tanque de gas.
- La válvula del tanque de gas debe tener:
 - Una salida de tipo 1, compatible con el regulador o la parrilla.
 - Una válvula de paso de seguridad.
 - Un dispositivo de seguridad volumétrica (OPD por sus siglas en inglés) certificado por UL. Esta característica de seguridad OPD se identifica mediante una manilla de forma triangular. **Use únicamente tanques equipados con válvulas de este tipo.**
- El tanque de gas debe tener un dispositivo de extracción del vapor y venir con un collarín para proteger su válvula. Siempre mantenga los tanques de gas en posición vertical durante su uso, su transporte o su almacenamiento.



Manilla del dispositivo de seguridad volumétrica



Tanque de gas en posición vertical para extraer el vapor

El gas propano (GLP)

- Es atóxico, inodoro e incoloro en el momento en que se produce. Por su propia seguridad, al gas propano se le ha incorporado un olor (parecido al de la col podrida), de modo que se pueda oler.
- El gas propano es sumamente inflamable y se puede encender en forma inesperada al mezclarse con el aire.

Carga de los tanques de gas propano

- Recorra solamente a vendedores autorizados y con experiencia.
- El vendedor de gas **debe purgar el tanque nuevo** antes de cargarlo.
- El vendedor no debe cargar **NUNCA** el tanque de gas con más del 80% de su volumen. El volumen de gas propano en el tanque puede variar con la temperatura.
- Si el regulador está empañado, eso indica que el tanque está sobrecargado. Cierre de inmediato la válvula del tanque y solicite ayuda del vendedor de gas propano.
- No deje escapar gas propano a la atmósfera. Ésta es una práctica peligrosa.
- Solicite ayuda del vendedor de propano o de los bomberos, para vaciar el gas de su tanque. Identifique a los vendedores autorizados de propano de su región en la sección de "compañías de gas" de la guía telefónica.

Cambio del tanque de gas

- Muchos comerciantes minoristas que venden parrillas, le ofrecen la opción de cambiar su tanque de gas vacío mediante un servicio de recambio. Emplee únicamente empresas de recambio de buena reputación, que inspeccionen, carguen con precisión, verifiquen y certifiquen sus cilindros. **Cambie su tanque sólo por otros tanques equipados con el dispositivo de seguridad volumétrica que se describe en la sección de *Tanques de gas* de este manual.**
- Siempre mantenga los tanques de gas, nuevos y de repuesto, en posición vertical durante su uso, su transporte o su almacenamiento.
- Verifique que los tanques de gas, nuevos o de recambio, no tengan fugas ANTES de conectarlos a la parrilla.

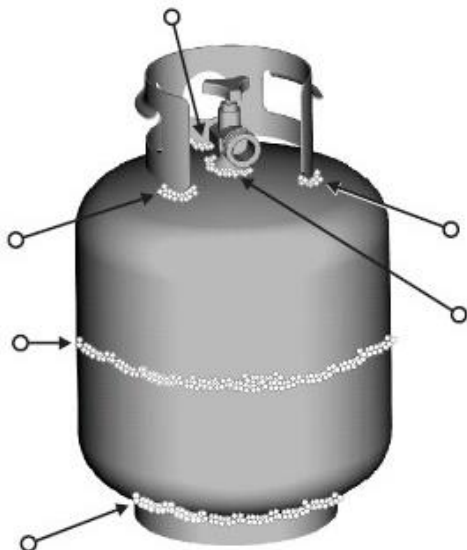
Prueba para detectar fugas del tanque de gas propano

- Se debe efectuar la prueba para detectar fugas cada vez que se cambie o se recargue el tanque.
- No fume durante la prueba para detectar fugas.
- No use una llama al descubierto para comprobar si el tanque tiene fugas.
- La prueba para detectar fugas de la parrilla se debe efectuar al aire libre, en un área bien ventilada, alejada de toda fuente de ignición tal como los artefactos a gas o eléctricos. Durante la prueba para detectar fugas, mantenga la parrilla alejada de las llamas al descubierto o de las chispas.
- Use una brocha de pintura limpia y una solución de 50/50 de agua y jabón suave. Pinte con la solución jabonosa las áreas indicadas por las flechas en la ilustración que sigue.

**ADVERTENCIA**

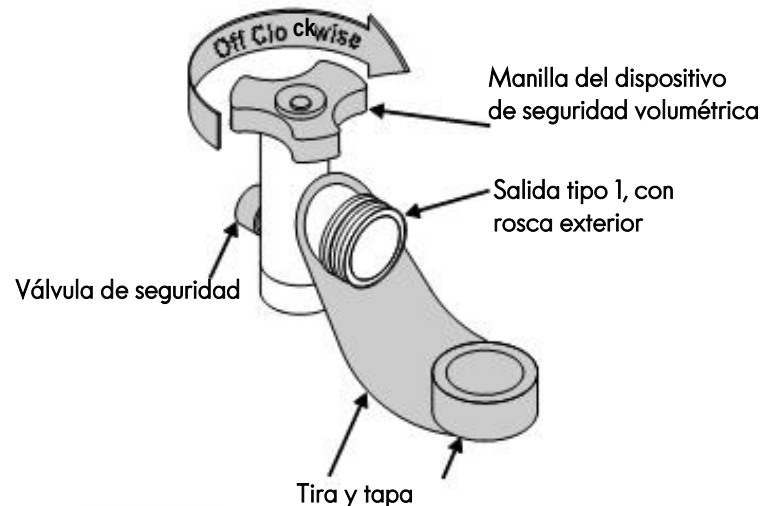
Si aparecen burbujas que aumentan de tamaño, no use ni mueva el tanque de gas. ¡Comuníquese con el proveedor de gas propano o con los bomberos!

- ▲ **No use productos de limpieza del hogar.** Esto puede dañar los componentes del circuito de gas.



Como conectar el regulador al tanque de gas propano

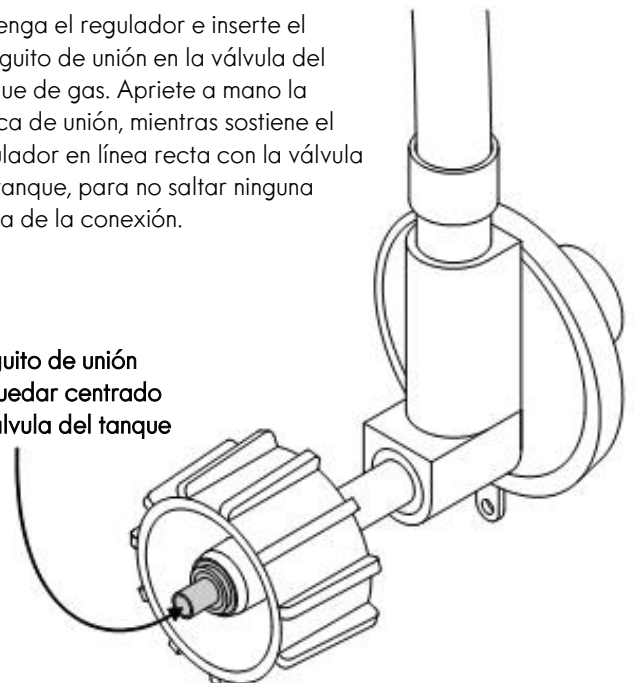
1. El tanque de gas debe quedar bien fijado a la parrilla. (Lea la sección de ensamblado.)
2. Gire todas las perillas de control a la posición APAGADO (OFF).
3. CIERRE el tanque de gas, girando la manilla de la válvula en el sentido de las agujas del reloj, hasta que **se detenga por completo**.
4. Retire la tapa protectora de la válvula del tanque de gas. Use siempre la tapa y la tira que vienen con la válvula.

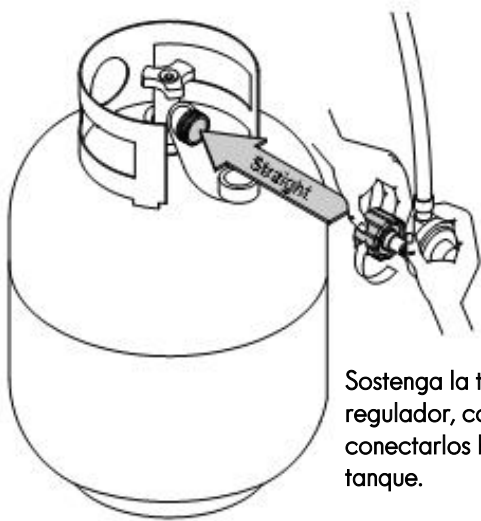


No use un tapón POL para transporte (la pieza de plástico con rosca en el exterior). Anulará la característica de seguridad de la válvula.

5. Sostenga el regulador e inserte el manguito de unión en la válvula del tanque de gas. Apriete a mano la tuerca de unión, mientras sostiene el regulador en línea recta con la válvula del tanque, para no saltar ninguna rosca de la conexión.

El manguito de unión debe quedar centrado en la válvula del tanque de gas.





Sostenga la tuerca de unión y el regulador, como se ilustra, para conectarlos bien a la válvula del tanque.

6. Gire la tuerca de unión en el sentido de las agujas del reloj, apretándola hasta que no se mueva más. El regulador formará un sello en el dispositivo de seguridad de la válvula del tanque, lo que creará cierta resistencia. **Se deberá hacer girar la tuerca entre un cuarto y tres cuartos de vuelta adicionales, para completar la conexión. Apriétela a mano únicamente -- no use herramientas.**

NOTA:

Si no puede completar la conexión, desconecte el regulador y repita los pasos 5 y 6. Si a pesar de haberlo hecho, todavía no puede completar la conexión, **¡no use este regulador!** Llame al **1-888-287-0735** para una pieza de repuesto idénticas.

PELIGRO

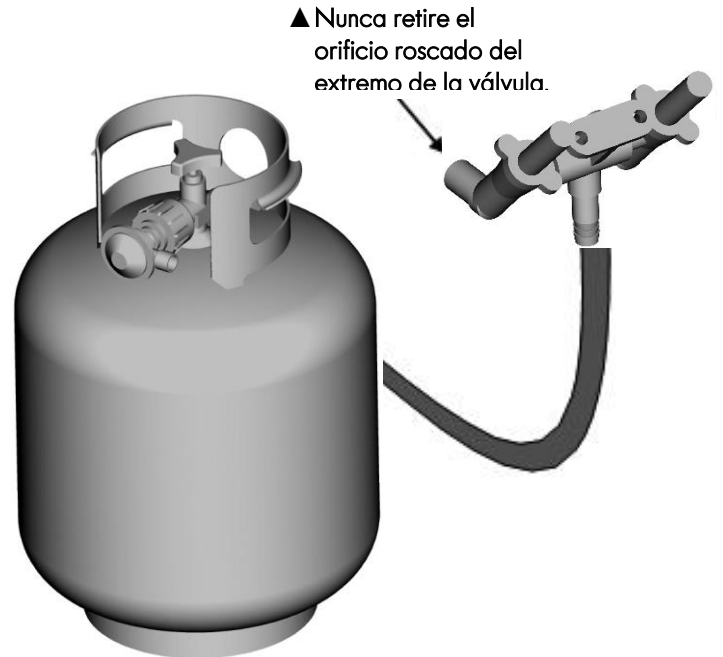
No introduzca ninguna herramienta ni ningún objeto extraño en la salida de la válvula ni en la válvula de seguridad. Puede dañarla y causar una fuga. Las fugas de gas propano pueden causar explosiones, incendios, lesiones graves o la muerte.

ADVERTENCIA

- El aparato a gas para uso al aire libre no ha sido diseñado para ser instalado en embarcaciones.
- El aparato a gas para uso al aire libre no ha sido diseñado para ser instalado en vehículos de recreo.
- Nunca trate de conectar esta parrilla al sistema de gas propano independiente de un remolque de recreo o de una casa rodante.
- No use la parrilla sin antes haber verificado que no tenga fugas.
- En caso de detectar una fuga en cualquier momento, **DETÉNGASE** y llame a los bomberos.
- Si no puede detener una fuga de gas, ¡cierre de inmediato la válvula del tanque de gas y llame al distribuidor o a los bomberos!

Prueba para detectar fugas de las válvulas, las mangueras y el regulador

1. Gire todas las perillas de control de la parrilla a la posición de **APAGADO**.
2. Cerciórese de que el regulador esté bien conectado al tanque de gas.
3. Abra por completo la válvula del tanque, girando la manilla en sentido contrario a las agujas del reloj. Si escucha un *sonido de ráfaga*, cierre de inmediato el paso de gas. La conexión tiene una fuga considerable. **Corrija esta situación antes de continuar.**
4. Aplique solución jabonosa con la brocha, en las áreas marcadas con un círculo en la ilustración que sigue.

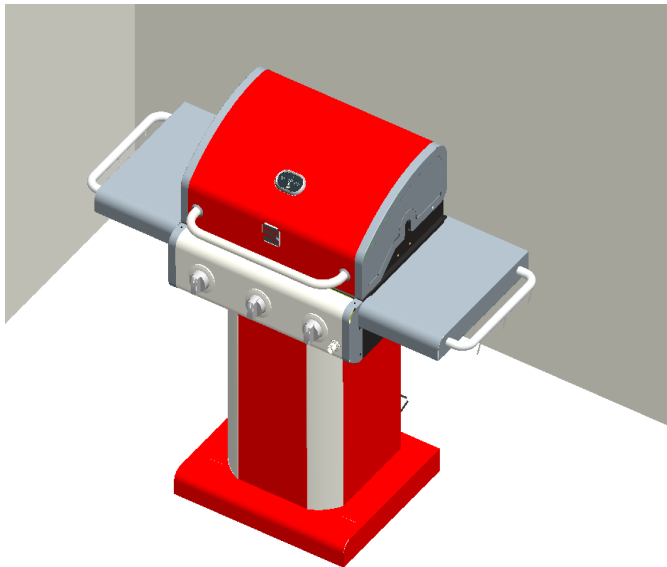


5. Si aparecen burbujas **que aumentan de tamaño**, existe una fuga. Cierre de inmediato la válvula del tanque de gas y vuelva a apretar las conexiones. **Si no puede eliminar las fugas, no intente repararlas.** Solicite una pieza de repuesto.
6. Después de hacer una prueba para detectar fugas, cierre siempre la válvula del tanque de gas, girando la manilla en el sentido de las agujas del reloj.

ADVERTENCIA

Para usar su parrilla en forma segura y para evitar lesiones graves:

- No deje que los niños usen la parrilla ni que jueguen cerca de la misma.
- Mantenga el área de la parrilla limpia y sin materiales combustibles.
- No obstruya los agujeros laterales ni los de la parte posterior de la parrilla.
- Revise periódicamente las llamas del quemador.
- Use la parrilla sólo en lugares bien ventilados. NUNCA la use en lugares cerrados tales como cocheras, garajes, porches, patios techados o debajo de superficies de ningún tipo.
- No use carbón ni briquetas de cerámica en una parrilla a gas. (Salvo que las briquetas vengan con su parrilla.)
- **Use la parrilla al menos a 3 pies de distancia de cualquier pared o superficie.** Deje un espacio de 10 pies entre la parrilla y los objetos que puedan incendiarse o que sean fuentes de ignición, tal como las llamas de encendido de calentadores de agua, electrodomésticos conectados, etc.



• Para personas que viven en apartamentos:

Pídale al administrador que le indique los requisitos y los códigos contra incendios que corresponden al uso de parrillas de gas propano en un edificio de apartamentos. Si se le permite usarla, hágalo al aire libre, en la planta baja, dejando un espacio libre de tres (3) pies entre la parrilla y las paredes o las barandillas. No la use en balcones o debajo de los mismos.

• **NUNCA trate de encender el quemador con la tapa cerrada. Las acumulaciones de gas no encendido en las parrillas tapadas son peligrosas.**

• **Nunca use la parrilla si el tanque de gas no está en la posición correcta que se especifica en las instrucciones de ensamblado.**

• **Siempre cierre la válvula del tanque de gas y retire la tuerca de unión antes de mover el tanque del sitio específico de uso**

Consejos de seguridad

- ▲ Verifique que la tuerca de unión esté bien apretada antes de abrir la válvula del tanque de gas.
- ▲ Cuando no use la parrilla, cierre todas las perillas de control y la válvula del tanque de gas.
- ▲ Si la aplicación al aire libre del gas que cocina no es adentro uso, el gas se debe dar vuelta apagado en el cilindro de la fuente. El almacenaje de una aplicación al aire libre del gas que cocina dentro es permitido solamente si el cilindro se desconecta y se quita de la aplicación.
- ▲ Nunca mueva la parrilla cuando la esté usando o mientras esté caliente.
- ▲ Use utensilios para parrilla de mango largo y guantes para hornear, para evitar quemaduras y salpicaduras.
- ▲ El peso máximo que soportan los estantes laterales es 10 lb.
- ▲ La lata para la grasa debe estar colocada en su presilla, y se debe vaciar cada vez, después de usarla. No retire la lata para la grasa hasta que la parrilla se haya enfriado por completo.
- ▲ Limpie la parrilla con frecuencia; de preferencia cada vez después de usarla. Si utiliza un cepillo de cerdas para limpiar las superficies para cocinar, antes de usar la parrilla verifique que no queden cerdas sueltas sobre éstas. Se recomienda no limpiar las superficies para cocinar cuando la parrilla esté aún caliente.
- ▲ Si observa que de la parrilla caen gotas de grasa u otras sustancias calientes a la válvula, la manguera o el regulador, cierre inmediatamente el paso de gas. Establezca la causa, corrija el problema, limpie e inspeccione la válvula, la manguera y el regulador, antes de proseguir. Haga una prueba para detector fugas.
- ▲ El regulador puede emitir un sonido zumbante o sibilante durante su uso. Esto no afectará la seguridad ni el uso de la parrilla.
- ▲ Utilice solamente el regulador de presión y el montaje de manguera provistos de esta parrilla. El regulador de presión del reemplazo y los montajes de manguera deben ser especificados o provisto cerca.
- ▲ Si tiene un problema con la parrilla, lea la sección de Resolución de problemas.
- ▲ Si el regulador se congela, apague inmediatamente la parrilla y cierre la válvula del tanque de gas. Esto indica que existe un problema con el tanque y no debe ser usado en otro producto. ¡Devuélvalo al proveedor!

PRECAUCIÓN

- No es posible apagar el fuego al cerrar la tapa. Las parrillas están bien ventiladas por razones de seguridad.
- No use agua en un fuego de goteo. Lesiones personales pueden resultar. Si se produce un incendio por goteo, apague las perillas y el cilindro LP.
- No deje la parrilla desatendida mientras precalienta o quema residuos de comida en HI. Si la parrilla no se ha limpiado regularmente, se puede producir un incendio por goteo que puede dañar el producto.

Instrucciones de encendido electrónico de encendido

▲ No se incline sobre la parrilla mientras se enciende.

1. Abra la tapa durante la iluminación.
 2. Encienda la válvula desde la fuente o tanque.
 3. Para encender, gire la perilla del quemador de encendido a HI.
 4. Mantenga presionado el botón de encendido electrónico.
 5. Si la ignición no ocurre en 5 segundos, apague los controles del quemador, espere 5 minutos y repita el procedimiento de encendido.
 6. Para encender otros quemadores principales después de encender el quemador de encendido, gire a HI una perilla de control adyacente a un quemador encendido. Encienda último quemador izquierdo último.
 7. Para encender el quemador lateral, siga los pasos 3-5 usando la perilla del quemador lateral.
- Si el encendedor no funciona, siga las instrucciones de Match Lighting.



ADVERTENCIA



Gire los controles y la fuente de gas o el tanque a la posición OFF cuando no esté en uso.



PRECAUCIÓN

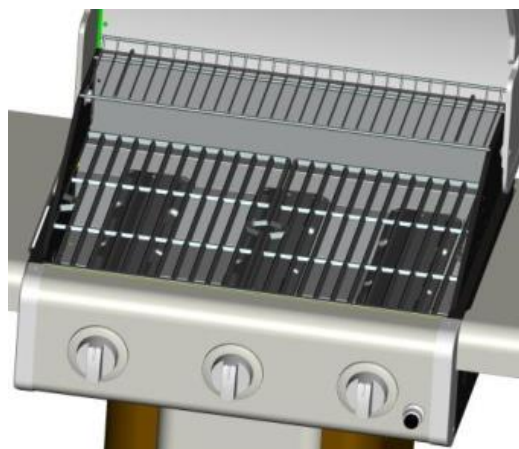
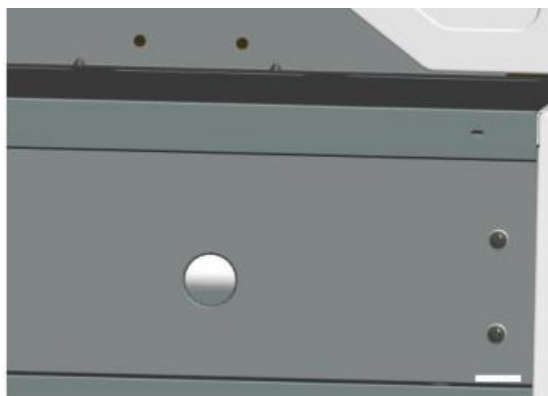


Si la ignición NO ocurre en 5 segundos, apague los controles del quemador, espere 5 minutos y repita el procedimiento de encendido. Si el quemador no se enciende con la válvula abierta, el gas continuará saliendo del quemador y podría encenderse accidentalmente con riesgo de lesiones.

Iluminación de fósforo

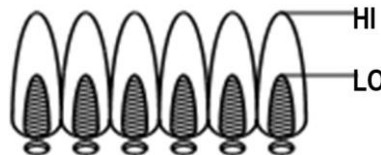
▲ No se incline sobre la parrilla mientras se enciende.

1. Abra la tapa durante la iluminación.
2. Coloque el fósforo en el soporte del fósforo (colgando en el panel lateral izquierdo).
3. Empareja la luz e inserta el soporte del fósforo a través del orificio de iluminación en el costado del fogón.
4. Coloque una cerilla encendida al lado de un quemador. Gire la perilla del quemador en la posición HI. Asegúrate de que las luces del quemador y se mantiene encendido
5. Para encender los otros quemadores repita el paso 4.
6. Una vez que los quemadores estén encendidos, ajuste las perillas al nivel deseado ajuste de la llama. Para apagar un quemador individual, gire su perilla a OFF.



Comprobación de llama del quemador

- Retire las parrillas de cocción y los domadores de llama. Encienda los quemadores, gire las perillas de ALTO a BAJO. Debería ver una llama más pequeña en posición BAJA que la que se ve en HI. Siempre revise la llama antes de cada uso. Si solo se ve poca llama, consulte "Caída repentina o llama baja" en la sección de solución de problemas.



Apagar la parrilla

- Gire todas las perillas a la posición OFF. Apague el cilindro de LP. Cuando termine de asar, levante la tapa de la parrilla y deje que la parrilla se enfríe por completo. Si la tapa de la parrilla se cierra durante el enfriamiento de la parrilla, se puede producir condensación en las superficies interiores de la parrilla y posiblemente se oxide.

Igniter Check

- Apague el gas en el cilindro LP. Mantenga presionado el botón del encendedor electrónico. Se debe escuchar "clic" y se debe ver una chispa cada vez entre la caja colectora o el quemador y el electrodo. Consulte "Solución de problemas" si no hay clic o chispa.

Chequeo de las válvulas

- Importante: Asegúrese de que el gas esté apagado en el cilindro LP antes de revisar las válvulas. Las perillas se bloquean en la posición OFF. Para revisar las válvulas, primero empuje las perillas y suéltelas, las perillas deben retroceder. Si las perillas no retroceden, reemplace el conjunto de la válvula antes de usar la parrilla. Gire los mandos a la posición BAJA y luego vuelva a la posición OFF. Las válvulas deben girar suavemente.

Comprobación de manguera

- Antes de cada uso, verifique si las mangueras están cortadas o desgastadas. Reemplace las mangueras dañadas antes de usar la parrilla. Use solo válvula / manguera / regulador como se especifica en la lista de partes de esta Guía de uso y cuidado.

Limpieza general de parrilla

- No confundas la acumulación marrón o negra de goteo y el humo para la pintura. Los interiores de las parrillas de gas no están pintados en la fábrica (**y nunca debe ser pintado**). Aplique una solución fuerte de detergente y agua o use un limpiador para parrillas con un cepillo para fregar en el interior de la tapa y el fondo de la parrilla. Enjuague y deje secar completamente al aire. **No aplique una parrilla cáustica / limpiador de hornos a las superficies pintadas.**

- **Superficies de porcelana:** Debido a la composición similar al vidrio, la mayoría de los residuos se pueden limpiar con una solución de bicarbonato de soda / agua o un limpiador especialmente formulado. Use polvo abrasivo no abrasivo para manchas difíciles.

- **Superficies pintadas:** lavar con detergente suave o un limpiador no abrasivo y agua jabonosa tibia. Seque con un paño suave no abrasivo.

- **Superficies de acero inoxidable:** para mantener la apariencia de alta calidad de su parrilla, lave con un detergente suave y agua jabonosa tibia y seque con un paño suave después de cada uso. Los depósitos de goteo horneados pueden requerir el uso de una almohadilla limpiadora de plástico abrasivo. Use solo en la dirección del acabado cepillado para evitar daños.

No use almohadilla abrasiva en áreas con gráficos.

- **Superficies de cocción:** si se utiliza un cepillo de cerdas para limpiar cualquiera de las superficies de cocción de la parrilla, asegúrese de que no queden cerdas sueltas en las superficies de cocción antes de asar a la parrilla. No se recomienda limpiar las superficies de cocción mientras la parrilla esté caliente.

Bandeja de goteo y taza: Cuando la parrilla se haya enfriado por completo después de su uso, retire la taza de goteo de la parte inferior de la bandeja de goteo. La bandeja de goteo en esta parrilla no es extraíble. Deberá quitar los quemadores para acceder correctamente a la bandeja de goteo para limpiarlos. Consulte la sección Limpieza del ensamblaje del quemador para obtener instrucciones sobre cómo quitar y reinstalar los quemadores.

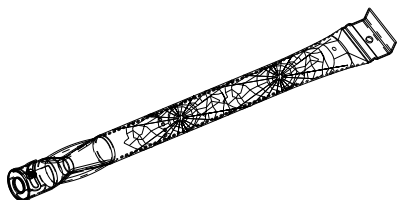
Vuelva a instalar los quemadores y vuelva a colocar la taza de goteo en la parte inferior de la bandeja de goteo antes de volver a usar la parrilla.



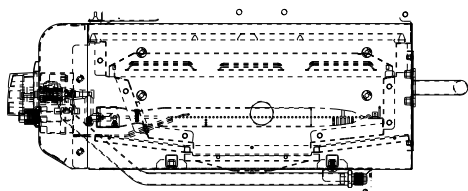
CAUTION

¡ALERTA CONTRA

IMPORTANT: Asegúrese siempre de que los tubos venturi estén limpios. Un tubo de venturi del quemador tiene un área estrecha en la que las arañas tienden a construir nidos.



! Si usted nota que le es más difícil encender la parrilla o que la llama es más débil de lo normal, examine y limpie los tubos venturi's.



Las arañas y los insectos pequeños han producido "fogonazos". Las arañas tejen sus telas, hacen sus nidos y ponen sus huevos en los tubos Venturi de las parrillas, que obstruyen el paso del gas al quemador. El gas que se acumula dentro de los tubos Venturi, ubicados en la parte posterior del tablero de control, se puede encender. A esto se le llama "fogonazo", y puede dañar su parrilla e, incluso, puede producir lesiones.

Para evitar los fogonazos y garantizar el buen funcionamiento, retire la unidad del quemador y del tubo Venturi y límpielos antes de usar la parrilla, si no la ha usado durante un tiempo prolongado.

Cómo guardar su parrilla

- Limpie las parrillas de cocción.
- Guárdela en un lugar seco.
- Cuando el tanque de gas esté conectado a la parrilla, guárdela al aire libre, en un lugar bien ventilado y fuera del alcance de los niños.
- Cubra la parrilla si la guarda al aire libre. El fabricante tiene a su disposición una variedad de cubiertas para parrillas.
- SOLO guarde la parrilla bajo techo si se ha cerrado el paso y desconectado el tanque de gas, retirándolo de la parrilla y guardándolo al aire libre.
- Siga las instrucciones sobre *Cómo limpiar la unidad del quemador* antes de encender la parrilla, cuando la misma haya estado guardada.

Cómo limpiar la unidad del quemador

Siga estas instrucciones para limpiar o cambiar piezas de la unidad del quemador, o si tiene problemas para encender la parrilla.

1. Cierre el paso de gas en las perillas de control y desde el tanque de gas.
2. Retire las parrillas de cocción y Termodisipador.
3. Extraiga el pasador de la parte posterior de los quemadores.
4. Levante y retire cuidadosamente cada quemador de las aberturas de la válvula.

Sugerimos tres maneras de limpiar los tubos del quemador. Siga la que le sea más fácil.

- (A) Doble un alambre rígido (un gancho de alambre para ropa sirve bien) para formar un gancho pequeño. Pase varias veces el gancho a través del tubo de cada quemador.

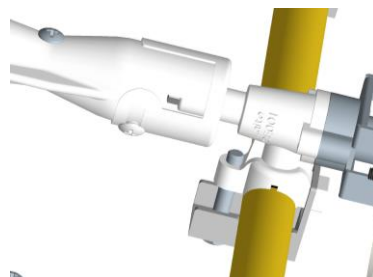


- (B) Use un cepillo delgado de botella, de mango flexible (no use un cepillo de alambre de latón), páselo varias veces a través del tubo de cada quemador.

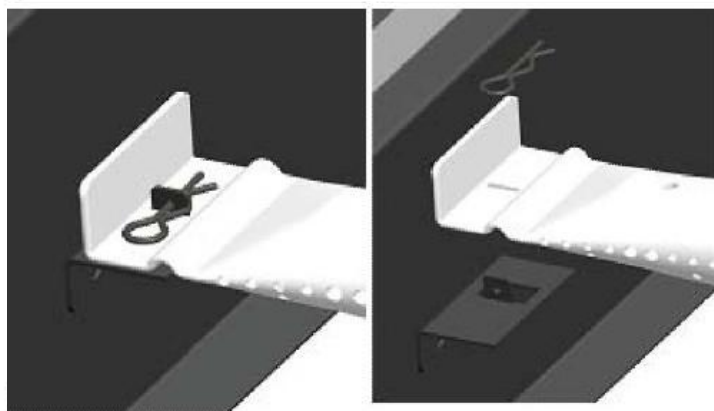
- (C) Use protectores para la vista: Con una manguera neumática,

5. Limpie todo puerto que esté atascado con un alambre rígido, tal como un sujetapapeles.
6. Examine el quemador para detectar daños; algunos orificios pueden alargarse debido al desgaste normal y a la corrosión. Si observa grietas u orificios grandes, cambie el quemador.

MUY IMPORTANTE: Los tubos del quemador se deben volver a conectar en las aberturas de la válvula. Vea las ilustraciones a la derecha.

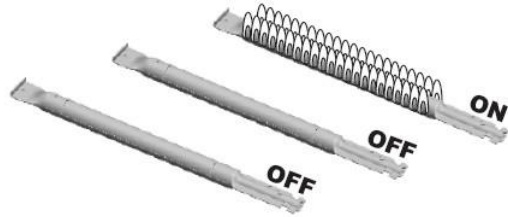


7. Vuelva a colocar cuidadosamente los quemadores.
8. Fije los quemadores a los soportes de la cámara de combustión.
9. Vuelva a colocar los tubos de arrastre y fije los quemadores. Cambie los reguladores de llama y las parrillas de cocción.



Cocina indirecta

Las aves de corral y los grandes cortes de carne se cocinan lentamente a la perfección en la parrilla por calor indirecto. Coloque los alimentos sobre los quemadores sin encender; el calor de los quemadores iluminados circula suavemente por toda la parrilla, cocinando carne o aves sin tocar una llama directa. Este método reduce en gran medida los brotes cuando se cocinan cortes grasos extra porque no hay llama directa para encender las grasas y los jugos que gotean durante la cocción.

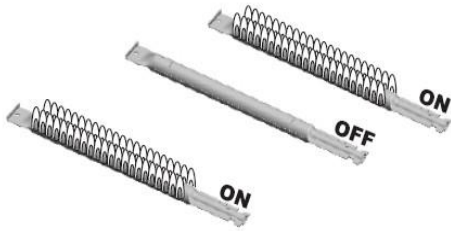


1 Quemador de cocina

Cocine con calor directo o indirecto. Lo mejor para comidas o comidas más pequeñas. Consume menos combustible

Instrucciones para cocinar indirectos

- Siempre cocine con la tapa cerrada.
- Una vez que los quemadores estén encendidos, apague un quemador individual girando su perilla a OFF.
- Debido a las condiciones climáticas, los tiempos de cocción pueden variar. En condiciones de frío y viento, es posible que se deba aumentar la temperatura para asegurar suficiente calor de cocción.
- Coloque los alimentos sobre los quemadores sin encender.



2 Quemador de cocina

Gran cocina indirecta en baja. Produce un calentamiento lento y uniforme. Ideal para tostar y hornear lentamente.

Seguridad alimentaria

La seguridad alimentaria es una parte muy importante del disfrute de su parrillada al aire libre. Para mantener los alimentos a salvo de las bacterias dañinas, siga estos cuatro pasos básicos: Limpiar: Lávese las manos, los utensilios y las superficies con agua caliente y jabón antes y después de manipular carnes y aves crudas.

Separar: Separe las carnes crudas y aves de corral desde listos para comer los alimentos para evitar la contaminación cruzada. Use un plato limpio y utensilios de los alimentos preparados.

Cocine: Cocine la carne y aves de corral a fondo para eliminar las bacterias. Use un termómetro para asegurar la temperatura adecuada de alimentos internos.

Enfriar: Refrigere los alimentos preparados y las sobras a la brevedad.

Cómo saber si las carnes están bien

- La carne y aves de corral cocinado en una parrilla a menudo se dora rápidamente en el exterior. Use un termómetro para carne para verificar que haya alcanzado una temperatura interna segura, y corte la carne para verificar si hay signos visuales de cocción.
- aves enteras debe alcanzar 180 ° F; pechos, 170 ° F. El jugo debe salir claros y la carne no deben ser de color rosa.
- las hamburguesas hechas con carne molida o ave, debe alcanzar 160 ° F, y ser de color marrón en el medio, sin jugos de color rosa. Carne de res, ternera y cordero, asados y chuletas se pueden asar a 145 ° F. Todos los cortes de cerdo debe alcanzar 160 ° F.
- NUNCA parcialmente carne o de aves y terminar la cocción más tarde. Cocine los alimentos completamente, para destruir las bacterias dañinas.
- Cuando recaliente los alimentos de comida rápida o las carnes ya cocidas por completo perros calientes, parrilla a 165 ° F, o hasta que emitan vapor.

ADVERTENCIA: Para asegurarse de que es seguro para comer, los alimentos deben cocinarse a las temperaturas internas mínimas que figuran en la siguiente tabla.

USDA* Temperaturas internas mínimas de cocción	
Carne de res, ternera, cordero y cerdo – Corta todo **	145° F
Pescado	145° F
Carne de res, ternera, cordero y cerdo— Carne	160° F
Platos a base de huevos	160° F
Pavo, pollo y pato - piezas enteras, y de tierra	165° F

* Departamento de Agricultura de Estados Unidos

** Permitir que la carne de un descanso de tres minutos antes de cortarlo o consumir.

LISTA DE PIEZAS

Llave	Descripción	Qty	Numero de parte	Llave	Descripción	Qty	Numero de parte
A01-A	Tapa (Negro)	1	30400004A	D02	Pasador de chaveta	7	110050
A01-B	Tapa (Roja)	1	30400004B	D03-A	Parrilla base (Negro)	1	30400404A
A01-C	Tapa (Trullo)	1	30400004C	D03-B	Parrilla base (Rojo)	1	30400404B
A01-D	Tapa (Perla)	1	30400004D	D03-C	Parrilla base (Trullo)	1	30400404C
A01-E	Tapa (Azur)	1	30400004E	D03-D	Parrilla base (Perla)	1	30400404D
A01-F	Tapa (Moca)	1	30400004M	D03-E	Parrilla base (Azur)	1	30400404E
A02	Indicador de temperatura	1	40900218	D03-F	Parrilla base (Moca)	1	30400404F
A03	Logo	1	40800106	D04	Ruedita giratoria con freno	2	20700048
A04	Tapa del parachoques de goma, delantero	2	40700103	D05	Ruedita estándar	1	40900214
A05	Mango de espaciador de aislamiento	2	40700022	D06	Lanzador giratorio	1	40900213
A06	Bisagra de la manija de la tapa	2	40900013	D07-A	Carril trasero (Negro)	1	30400409A
A07	Mango de la tapa	1	30400014	D07-B	Carril trasero (Rojo)	1	30400409B
B01	Caja de fuego	1	30400401	D07-C	Carril trasero (Trullo)	1	30400409C
B02	Girar la barra, la tapa	2	50300207	D07-D	Carril trasero (Perla)	1	30400409D
B03	Tapa del parachoques de goma, trasera	2	50300205	D07-E	Carril trasero (Azur)	1	30400409E
B04	Lateral izquierdo (delantero derecho) Soporte lateral del estante	2	30400061	D07-F	Carril trasero (Moca)	1	30400072M
B05	Delantero izquierdo (derecho trasero) Soporte de estante lateral	2	30400063	D08-A	Panel izquierdo (Negro)	1	30400405A
B06	Electrodo del quemador principal L320	1	30400053	D08-B	Panel izquierdo (Rojo)	1	30400405B
B07	Electrodo del quemador principal L480	1	30400052	D08-C	Panel izquierdo (Trullo)	1	30400405C
B08	Electrodo del quemador principal L150	1	30400054	D08-D	Panel izquierdo (Perla)	1	30400405D
B09	Barra de soporte trasero	1	30400035	D08-E	Panel izquierdo (Azur)	1	30400405E
B10	Soporte del colector	1	30400049	D08-F	Panel izquierdo (Moca)	1	30400405F
B11	Bandeja de goteo	1	30400019	D09	Panel frontal derecho e izquierdo frontal	2	30400406
B12	Barra de soporte frontal	1	30400033	D10-A	Barra de ángulo de soporte del panel (Negro)	2	40900060
B13	Taza de goteo	1	40800026	D10-B	Barra de ángulo de soporte del panel (Rojo)	2	40900060B
B14	Clip de la taza de goteo	1	40800131	D10-C	Barra de ángulo de soporte del panel (Trullo)	2	40900060C
B15	Panel trasero, Firebox	1	30400402	D10-D	Barra de ángulo de soporte del panel (Perla)	2	40900060D
B16	Estante de calentamiento	1	30400029	D10-E	Barra de ángulo de soporte del panel (Azur)	2	40900060E
B17	Parrilla de cocina	2	30400030	D10-F	Barra de ángulo de soporte del panel (Moca)	2	40900060M
B18	Difusor de calor	3	40800023	D11-A	Panel frontal (Negro)	1	30400407A
B19	Quemador principal	3	30400037	D11-B	Panel frontal (Rojo)	1	30400407B
C01	Válvula de gas	3	30400050	D11-C	Panel frontal (Trullo)	1	30400407C
C02	Colector	1	30400047	D11-D	Panel frontal (Perla)	1	30400407D
C03	Perno de retención de la manguera	1	30400117	D11-E	Panel frontal (Azur)	1	30400407E
C04	Regulador	1	30400051	D11-F	Panel frontal (Moca)	1	30400407F
C05	Panel de control	1	30400040	D12-A	Panel derecho (Negro)	1	30400408A
C06	Bisel, perilla de control	3	30400114	D12-B	Panel derecho (Rojo)	1	30400408B
C07	Soporte delantero del estante lateral	2	30400120	D12-C	Panel derecho (Trullo)	1	30400408C
C08	Módulo de encendido electrónico	1	30400403	D12-D	Panel derecho (Perla)	1	30400408D
C09	Perilla de control	3	40900206	D12-E	Panel derecho (Azur)	1	30400408E
C10	Estantería del lado izquierdo	1	30400057	D12-F	Panel derecho (Moca)	1	30400408F
C11	Estante lateral derecho	1	30400065	D13	Soporte del soporte del fósforo	1	40800129
C12	Gancho	6	40800123	D14	Cadena del soporte del partido	1	120003
C13	Empuñadura lateral del estante	2	40800099	D15	Titular del partido	1	40800128
D01	Tanque de tanque	1	20700049				

No aparece en la foto

Paquete de Hardware	1	30400410
Manual	1	30400412Z



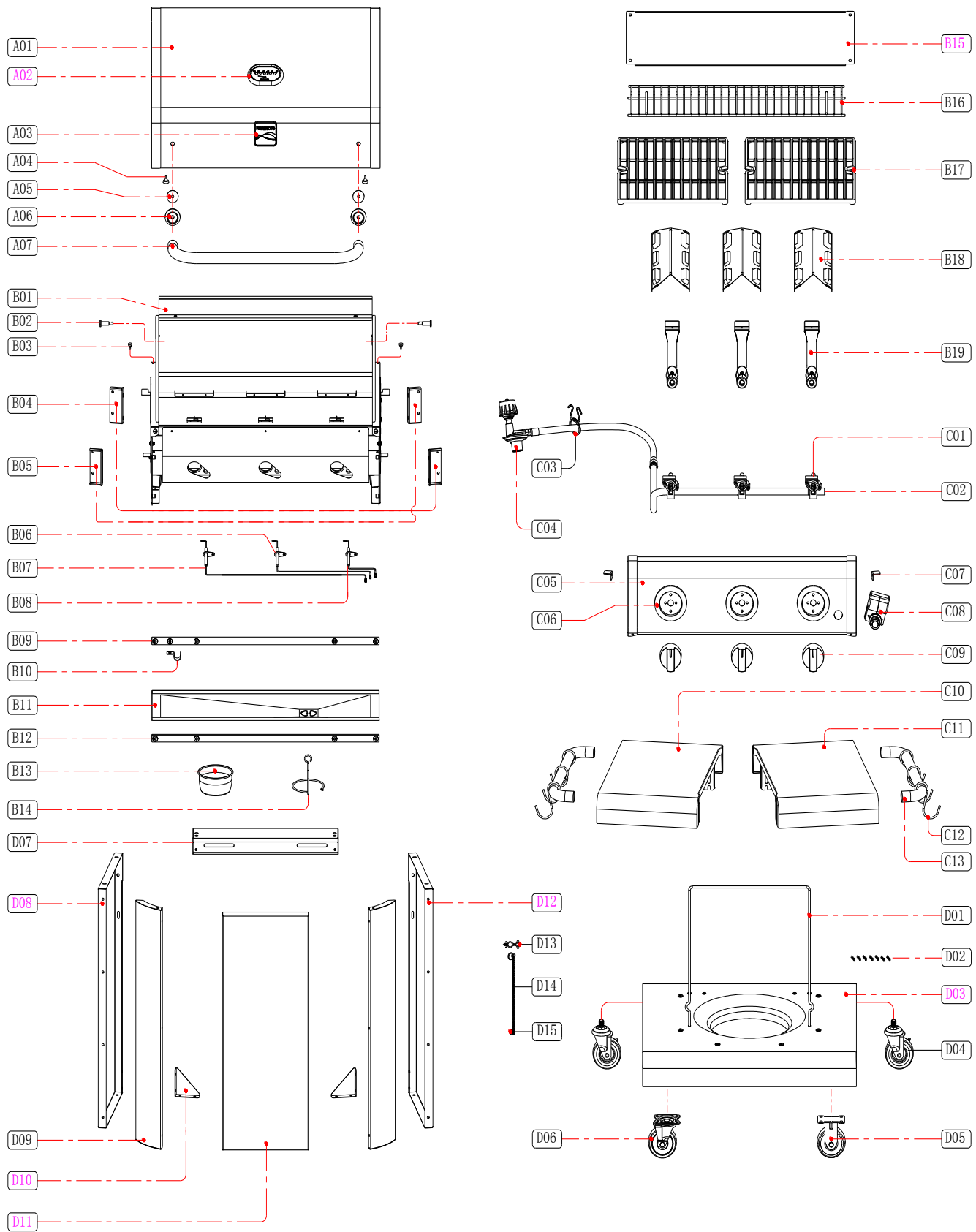
Si le falta hardware o tiene partes dañadas después de desempaquetar la parrilla, llame al 1-888-287-0735 para reemplazarlo.

Para solicitar piezas de repuesto después de usar la parrilla, llame al 1-888-287-0735

Or Visit us at www.permasteel.net

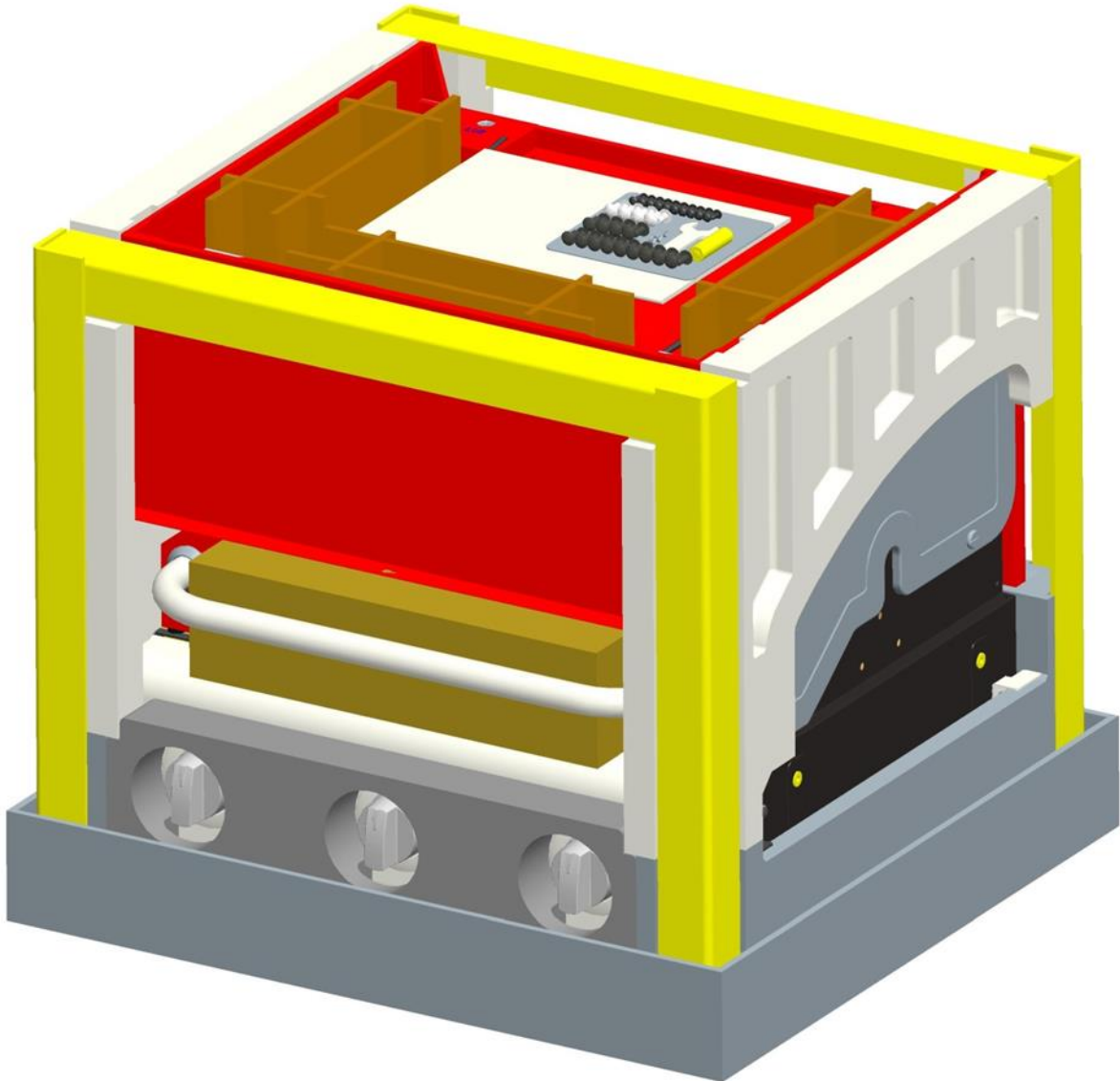
NOTA: : algunas partes de la parrilla que se muestran en los pasos del montaje pueden diferir ligeramente en apariencia de los que están en su modelo particular de parrilla. Sin embargo, el método de montaje sigue siendo el mismo.

DIAGRAM

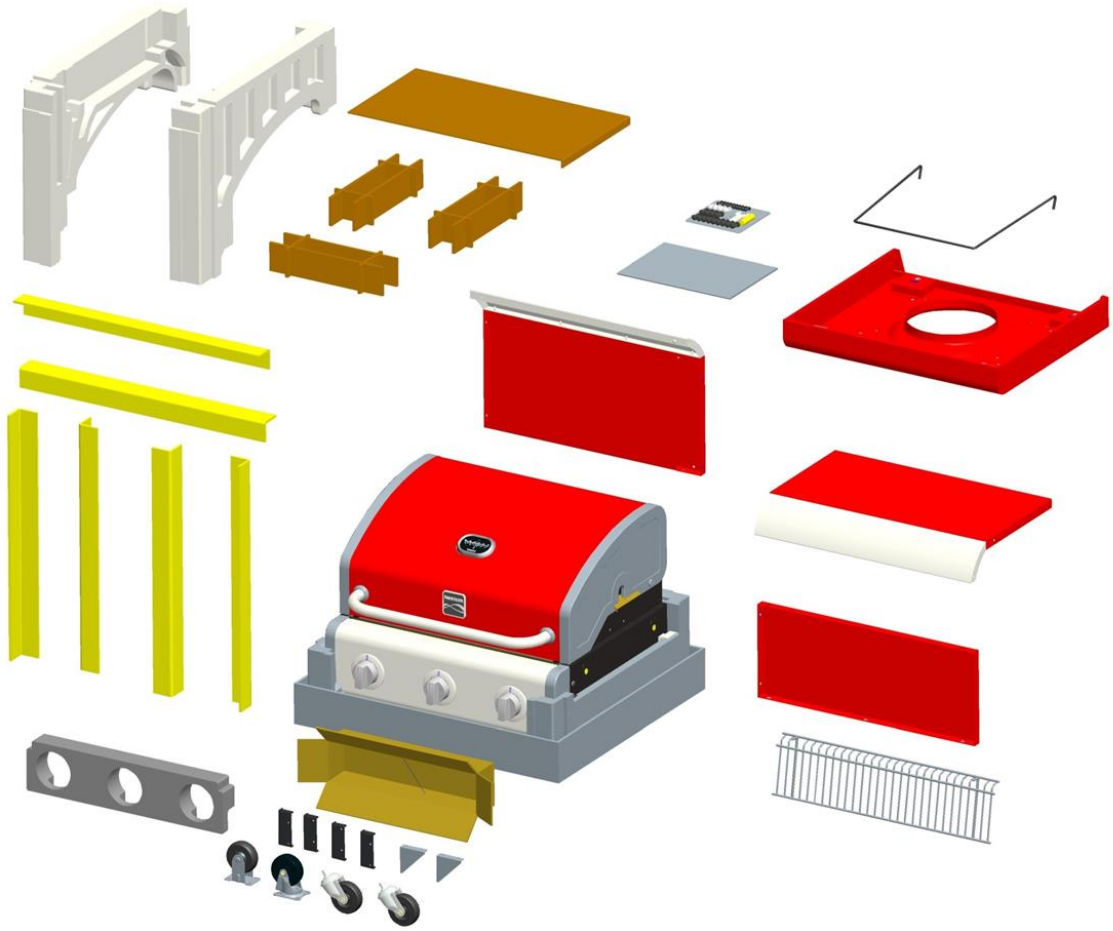


ANTES DE LA ENSAMBLAJE

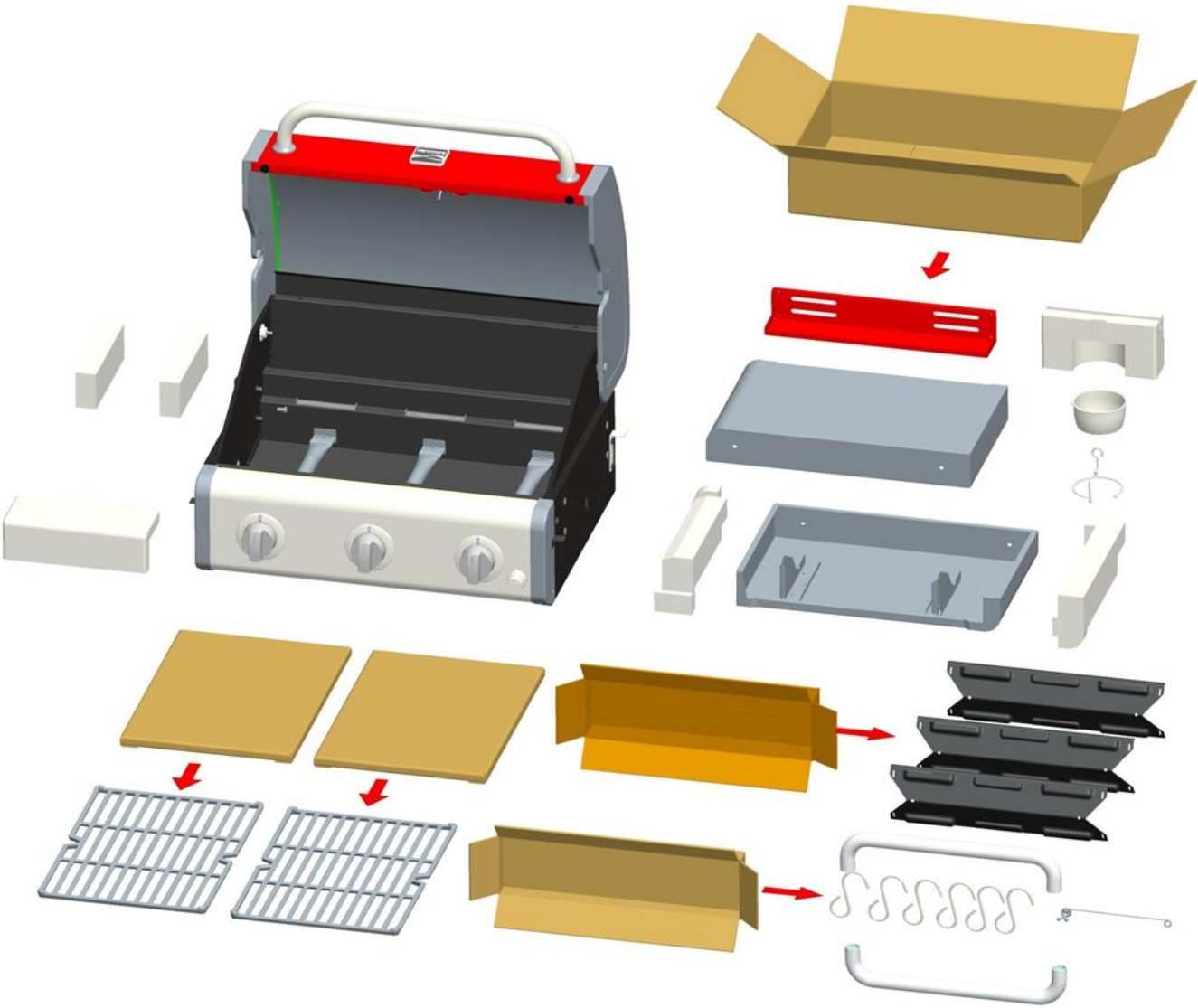
AVISO: Una vez que haya desempacado la parrilla, verifique todas las partes de la parrilla contra las imágenes en esta y las dos páginas siguientes. Si falta alguna pieza o está dañada, llame al 1-888-287-0735.



ANTES DE LA ENSAMBLAJE



ANTES DE LA ENSAMBLAJE




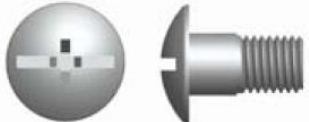
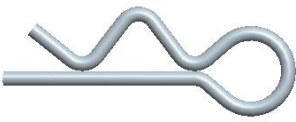



ANTES DE LA ENSAMBLAJE

LEER CUIDADOSAMENTE Y REALIZAR TODAS LAS INSTRUCCIONES DE MONTAJE EN LAS SIGUIENTES PÁGINAS.

Herramientas necesarias:

- Llave ajustable (no incluida)
- Destornillador (no proporcionado)
- 7/16 "Llave combinada (no incluida)
- El siguiente hardware se proporciona en un blíster para un uso conveniente.

M4X10 screw Qty: 20 pcs 	M6X13 screw Qty: 26 pcs 	AA Battery Qty: 1 pc 
M6X12 shoulder screw Qty: 8 pcs 	Cotter Pins Qty: 2 pcs 	Hexagon Wrench Qty: 1 pc 

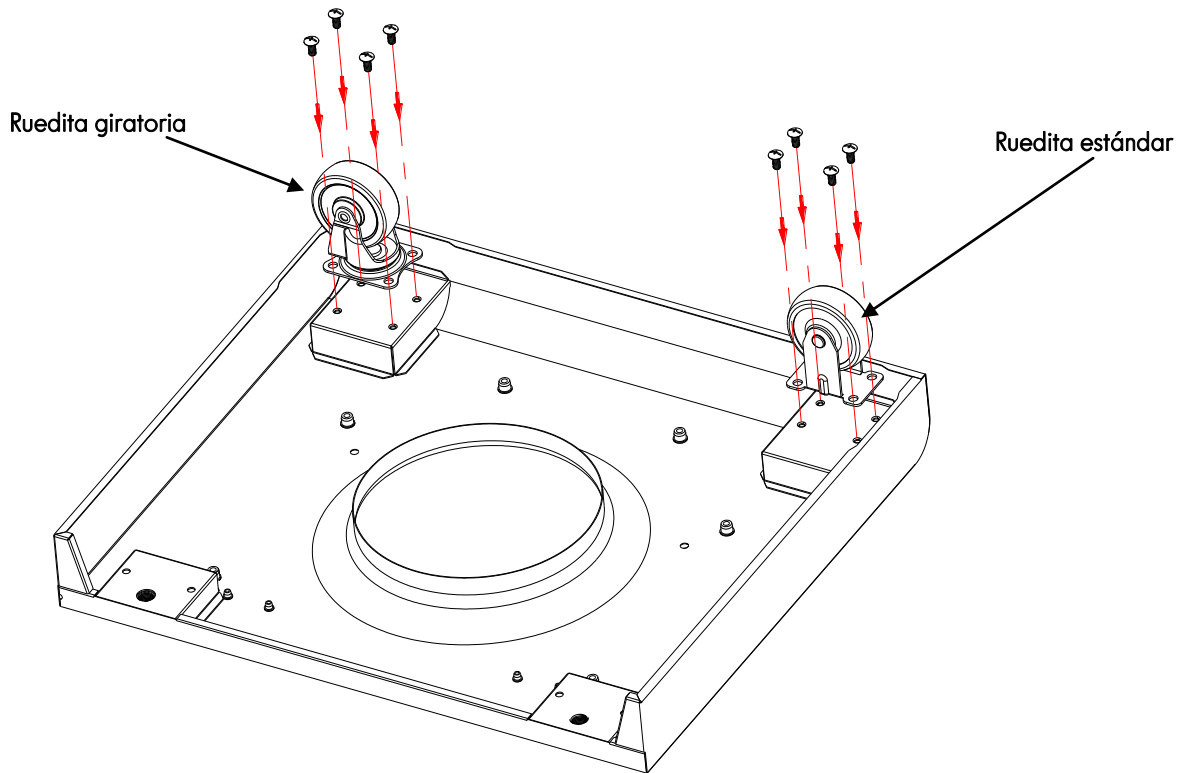
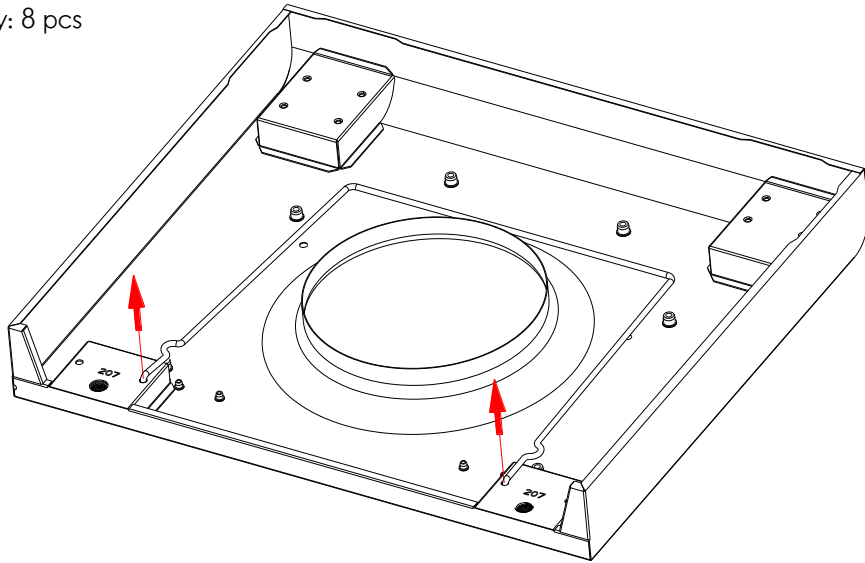
1

Parrilla de la base

- Coloque la base de la parrilla boca abajo. Retire el soporte del tanque de la parte inferior de la base. Coloque el soporte del tanque a un lado.
- Use (4) tornillos M6x13 cada uno para sujetar la Ruedita Giratoria a la esquina a su izquierda y la Ruedita Estándar a la esquina a su derecha.



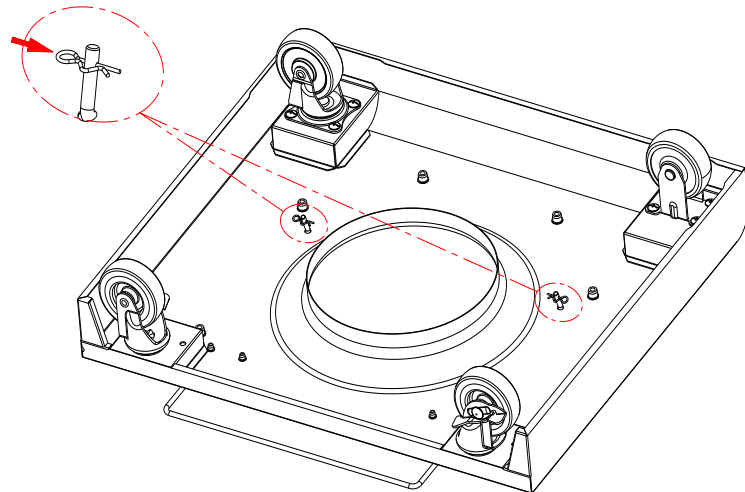
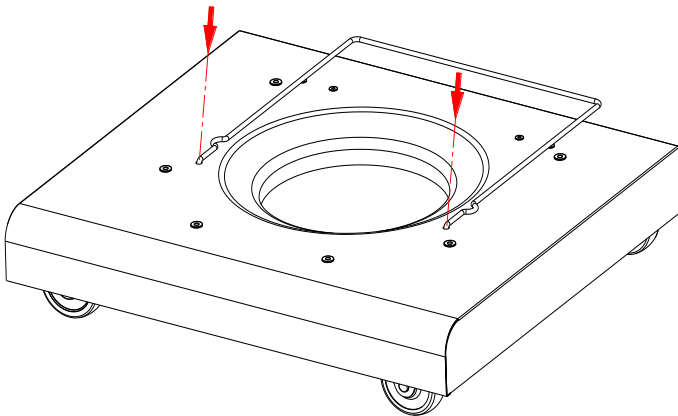
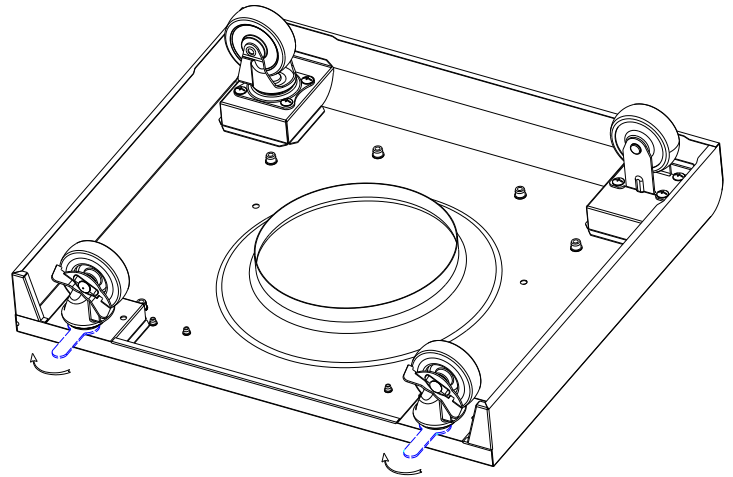
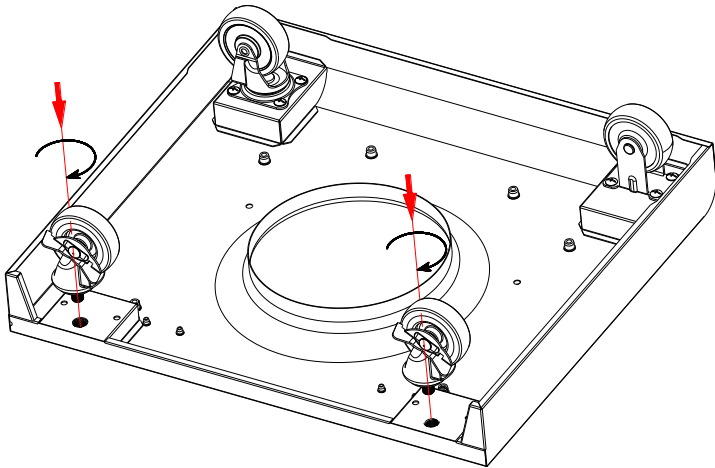
Tornillo M6X13 Qty: 8 pcs



2

Parrilla de la base

- Gire cada Ruedita giratoria con freno en las otras dos esquinas de la base de la parrilla. Use la llave provista para apretar firmemente las ruedas en su lugar.
- Levante la base de la parrilla hacia arriba. Inserte los extremos del soporte del tanque en los dos orificios como se muestra.
- Coloque la base de la parrilla boca abajo. Inserte un pasador de chaveta en cada extremo del soporte del tanque para asegurarlo en su lugar.



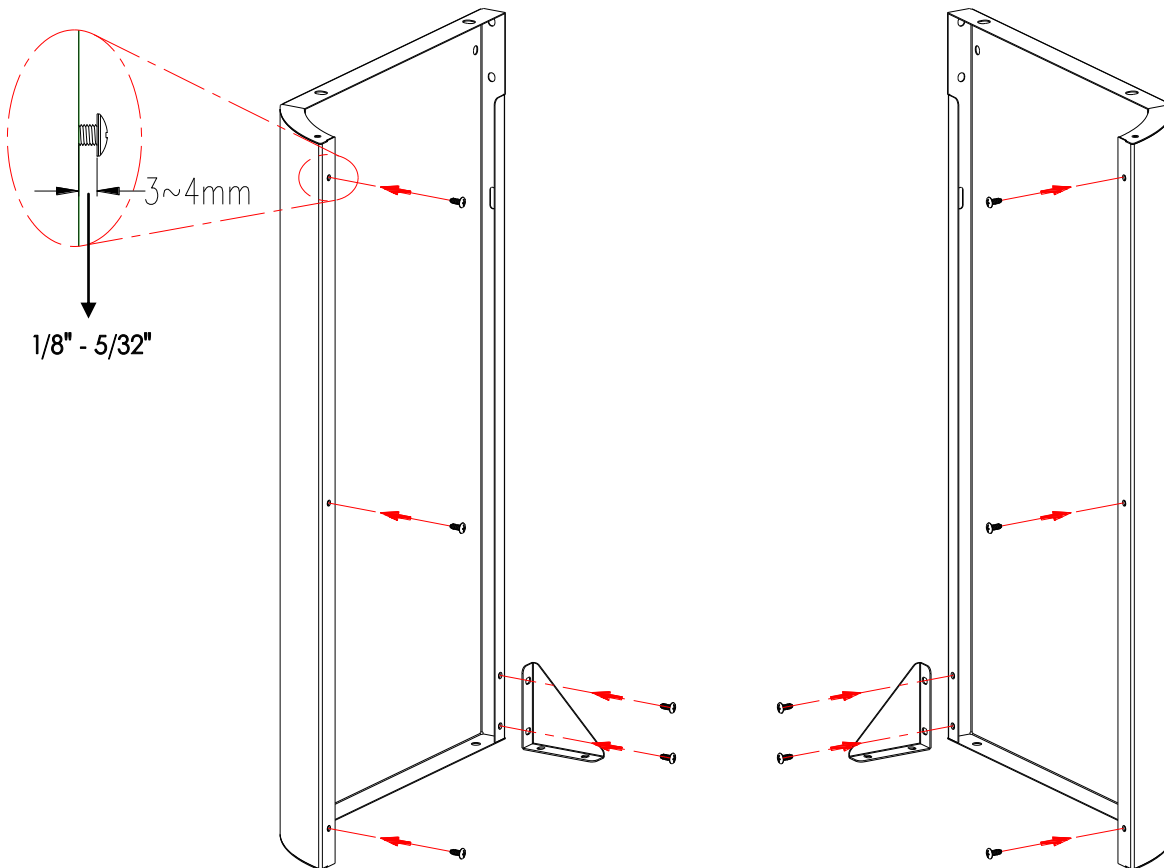
3

Pedestal

- Fije pero no ajuste completamente las barras angulares del soporte del panel a los paneles laterales izquierdo y derecho con (2) tornillos M4x10.
- Conecte (3) tornillos M4x10 a los paneles laterales izquierdo y derecho como se muestra, dejando un espacio de 1/8" a 5/32" entre el panel y la cabeza del tornillo.



Tornillo M4X10 Qty: 10 pcs

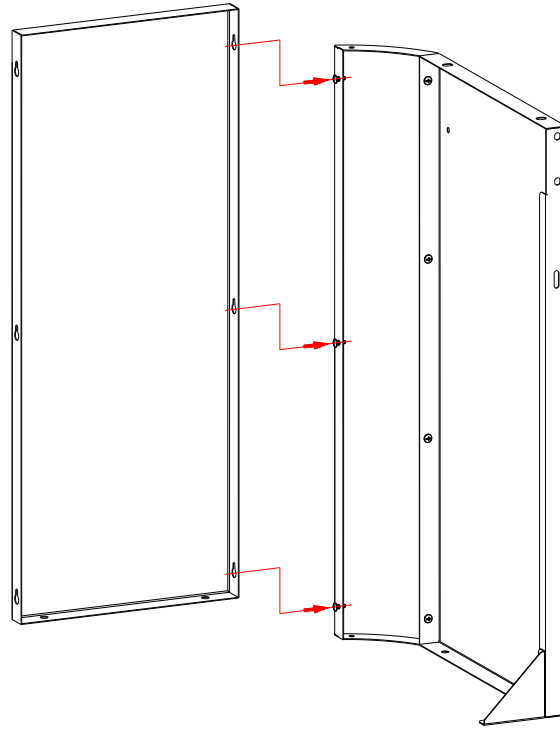


4

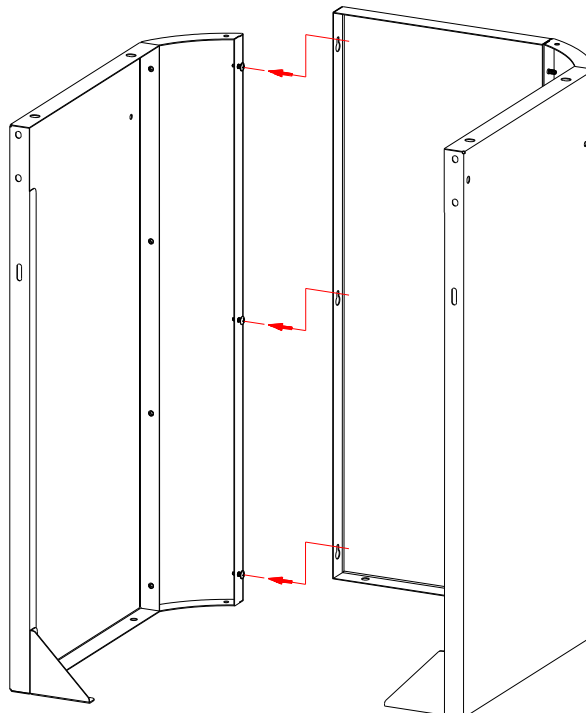
Pedestal

- A- Coloque el panel frontal en el panel lateral izquierdo. Empuje los extremos anchos de los orificios de la llave sobre los cabezales de los tornillos y deslice el panel frontal hacia abajo. Apriete completamente los tornillos.
- B- Coloque el panel frontal en el panel lateral derecho. Empuje los extremos anchos de los orificios de la llave sobre los cabezales de los tornillos y deslice el panel frontal hacia abajo. Apriete completamente los tornillos.

A



B

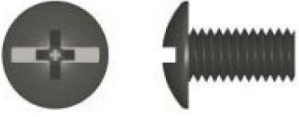


5

Pedestal

- Utilice (6) tornillos M6x13 como se muestra para unir los paneles de pedestal a la base de la parrilla.
- Use (2) tornillos M4x10 como se muestra para unir cada barra de ángulo de soporte del panel a la base de la parrilla.

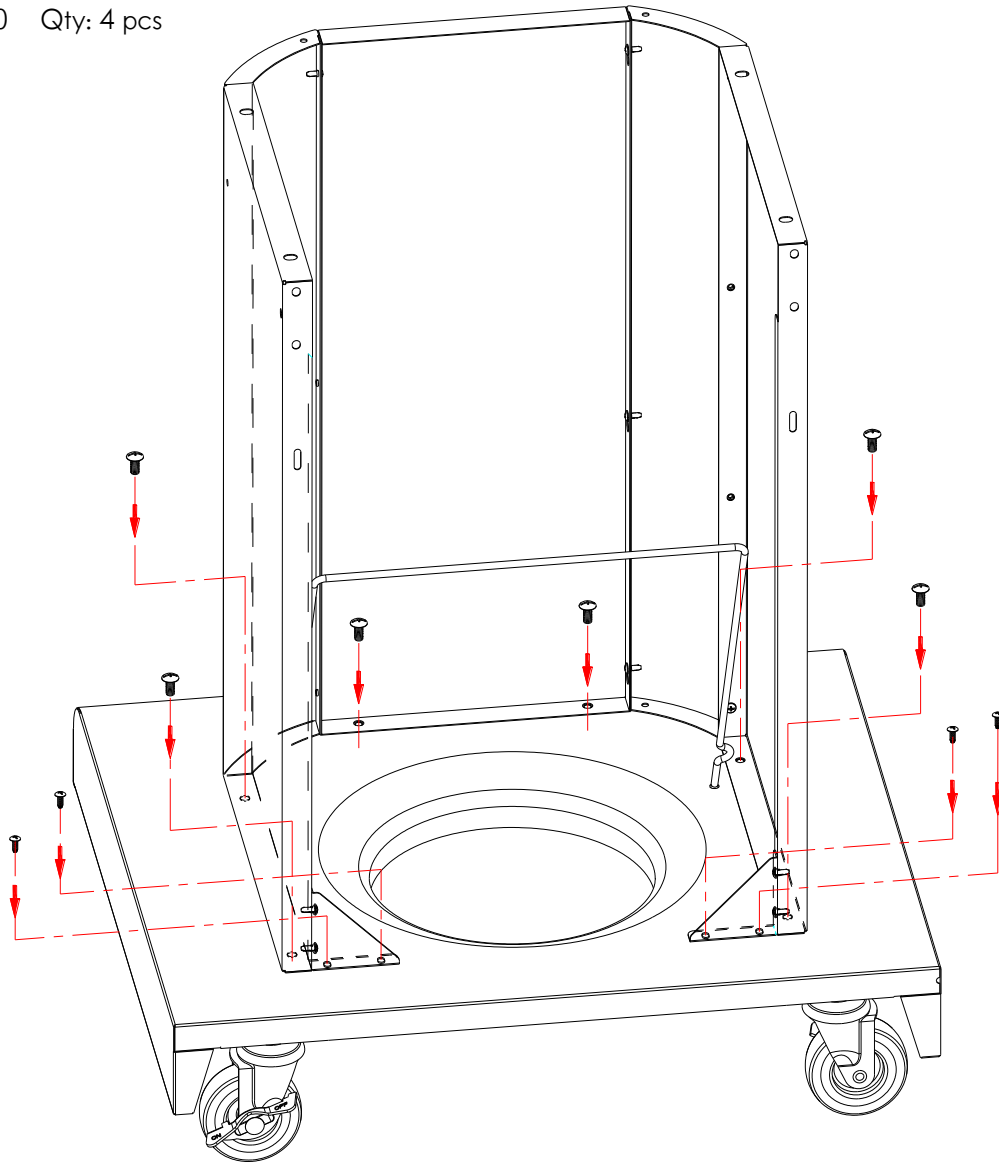
Apretete completamente los tornillos que quedaron parcialmente apretados en el paso 3.



Tornillo M6X13 Qty: 6 pcs



Tornillo M4 X10 Qty: 4 pcs



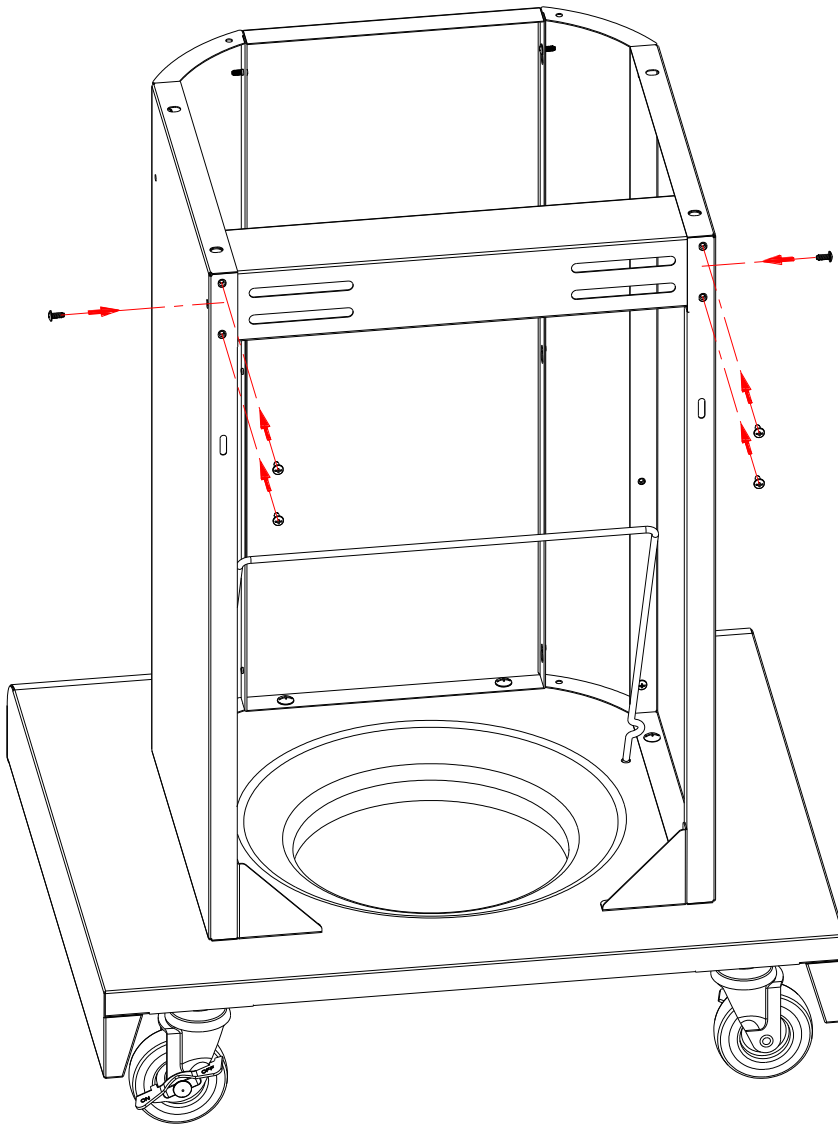
6

Pedestal

- Utilice (6) tornillos M4x10 para sujetar el riel trasero a la parte posterior del pedestal como se muestra.



Tornillo M4x10 Qty: 6 pcs



7

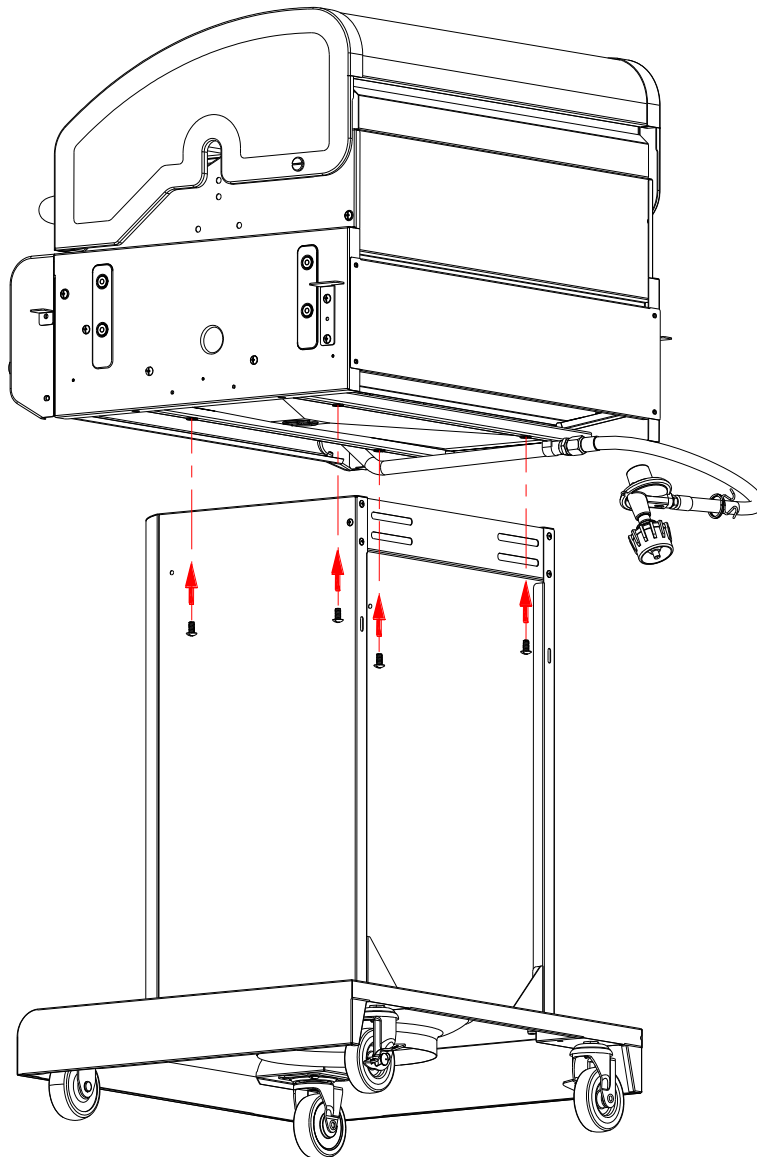
Grill Head al Pedestal

PRECAUCIÓN: para evitar posibles lesiones, se requiere que dos personas realicen este paso.

- Retire las ataduras de alambre que sujetan el regulador y la manguera de gas debajo de la cabeza de la parrilla, asegurándose de que la manguera cuelgue libremente.
- Con la ayuda de un asistente, baje cuidadosamente la cabeza de la parrilla sobre el pedestal.
- Mientras su asistente fija la cabeza de la parrilla en el pedestal, use (4) tornillos M6x13 debajo de la cabeza de la parrilla para fijar la cabeza al pedestal.

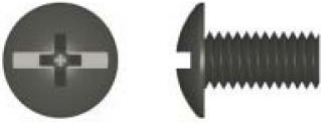


Tornillo M6X13 Qty: 4 pcs

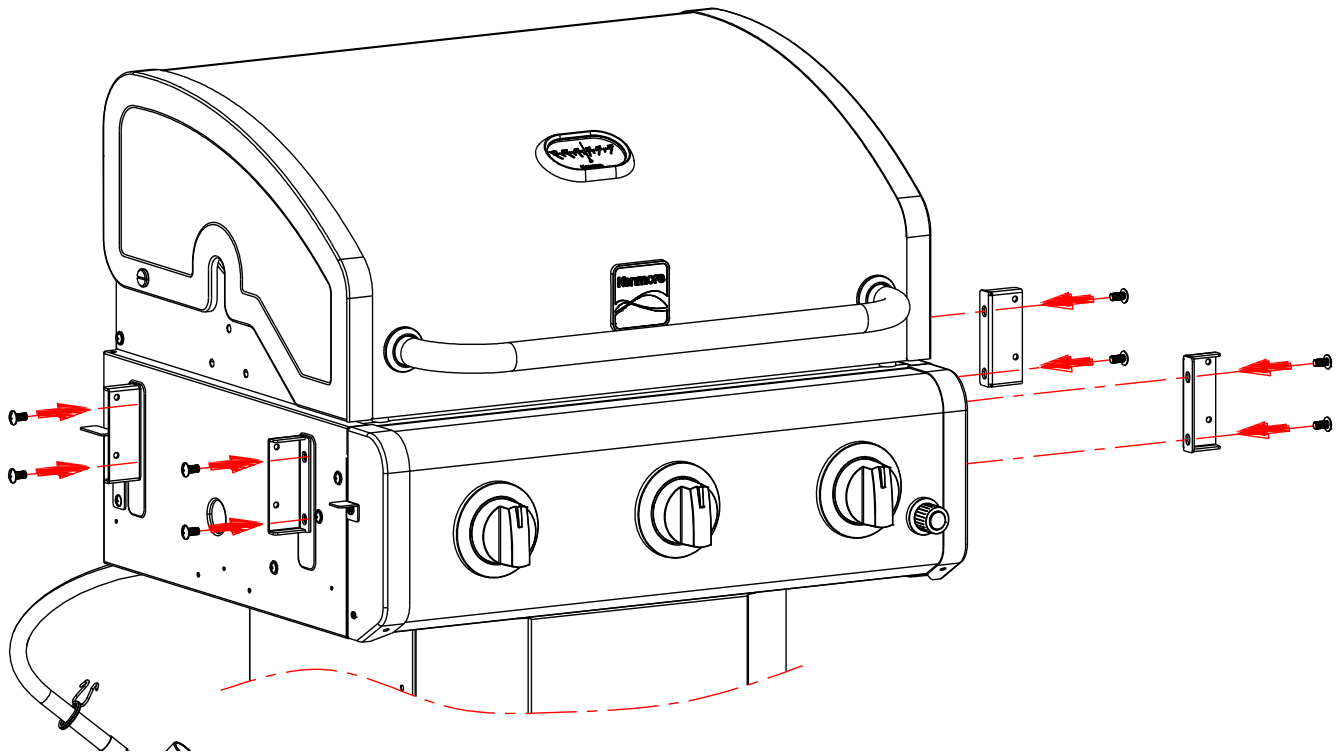


8

- Fije los 4 soportes de soporte del estante lateral a la cámara de combustión con (8) tornillos M6x13, como se muestra. Hay una etiqueta de ubicación en cada soporte.



Tornillo M6X13 Qty: 8 pcs

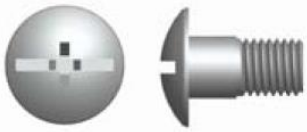


9

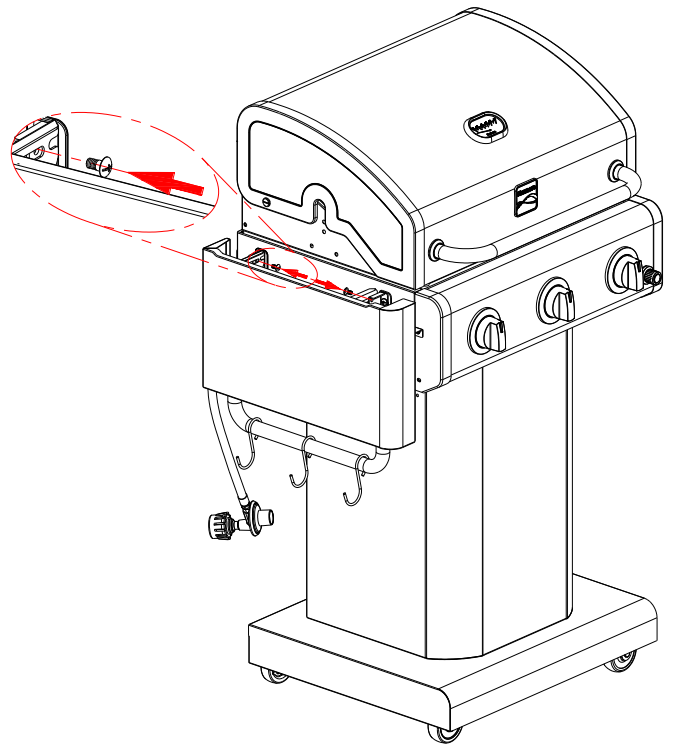
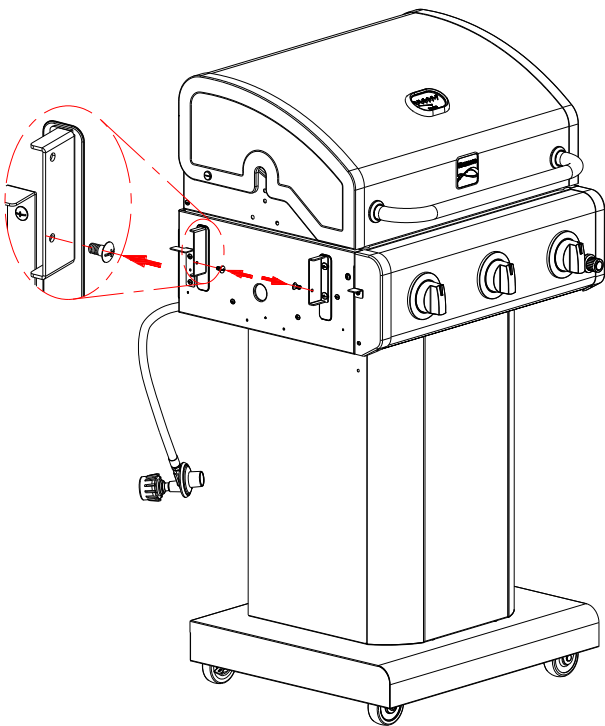
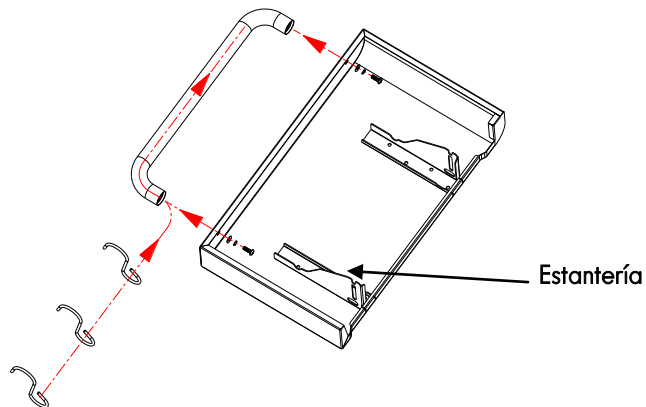
Estantes laterales plegables

Realice el siguiente procedimiento tanto para el estante del lado izquierdo como del lado derecho. El lado izquierdo se muestra a continuación.

- Deslice los 3 ganchos de accesorios en el mango del estante en la orientación que se muestra a continuación. Los extremos del gancho deben quedar alejados del cuerpo de la parrilla.
- Retire los tornillos, las arandelas de seguridad y las arandelas planas preattached a los extremos del mango, y úselas para unir el mango al estante.
- Atornille (1) tornillos de hombro M6x12 en el orificio inferior de cada soporte de soporte de estantería.
- Cuelgue la parte posterior del estante en el frente de los soportes de soporte como se muestra. Mantenga el estante en posición mientras realiza el siguiente paso.
- Atornille (1) el tornillo de tope M6x12 a través de la ranura superior en cada soporte de estantería en el orificio superior de cada soporte de estantería.



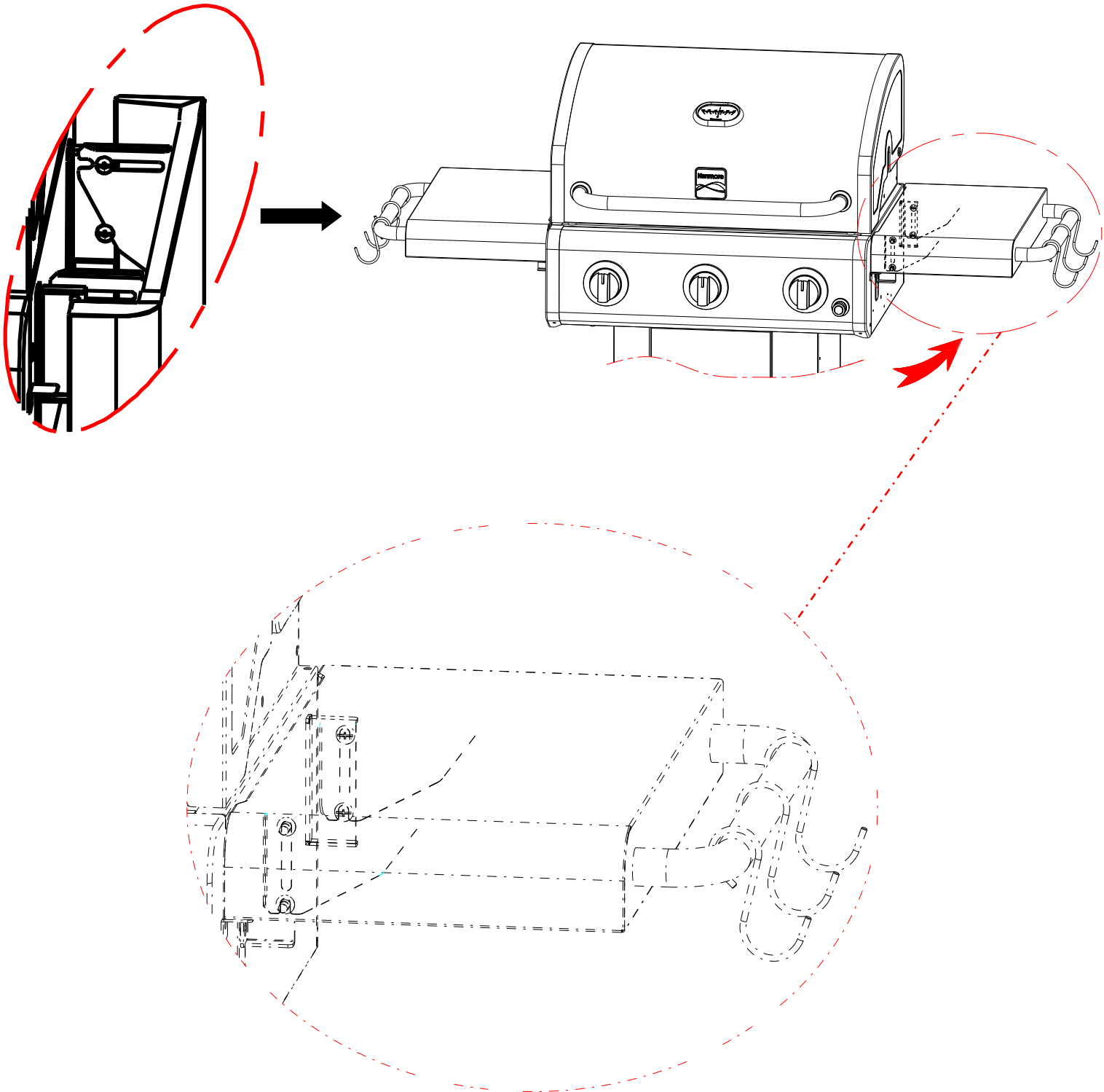
Tornillo de hombro M6X12
Qty: 4 pcs



10

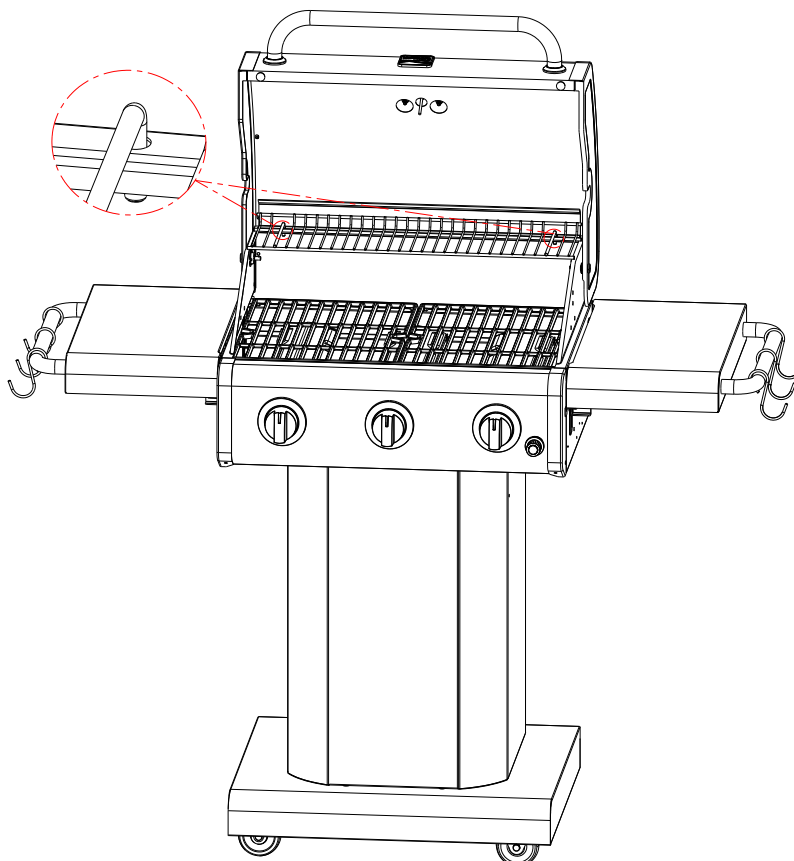
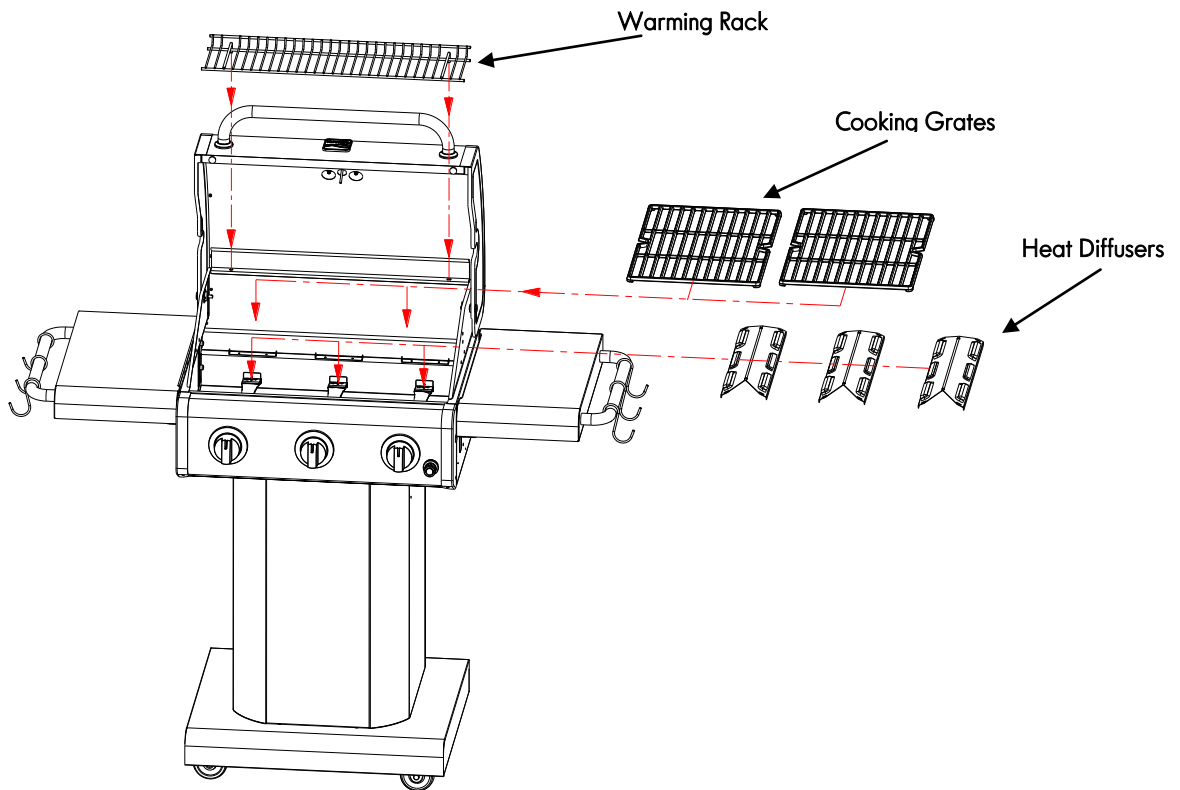
Elevar y bajar estanterías

- Para levantar los estantes, agarre el estante por los lados y levántelo hasta que las ranuras en la parte inferior del estante se apoyen en los tornillos inferiores para los hombros en los soportes de estantería. Estante inferior ligeramente para ranuras para asegurar en los tornillos.
- Para bajar los estantes, agarre el estante por los lados y levántelo para elevar las ranuras de soporte de los tornillos de los hombros del soporte. Doble el estante hacia abajo en la posición en el lado del pedestal.



Difusores de calor, rejillas de cocina, bastidor de calentamiento:

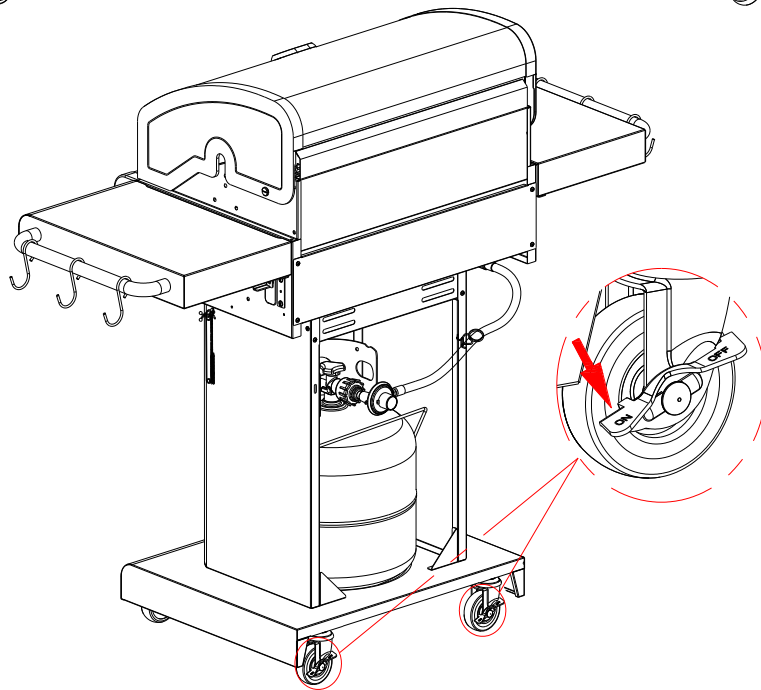
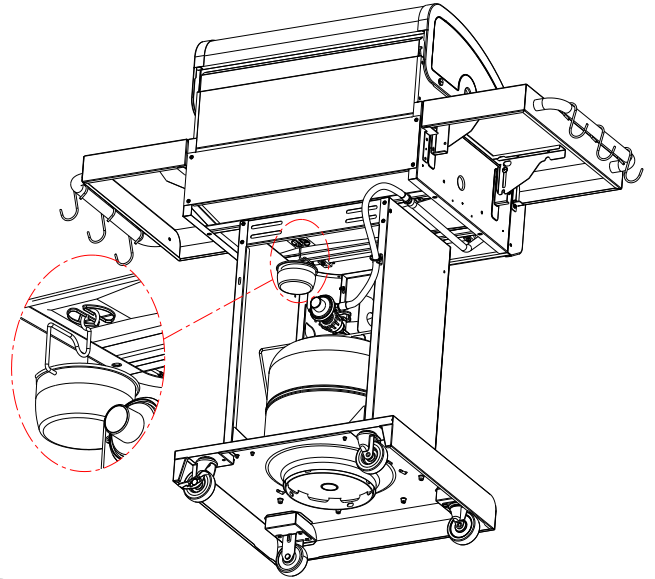
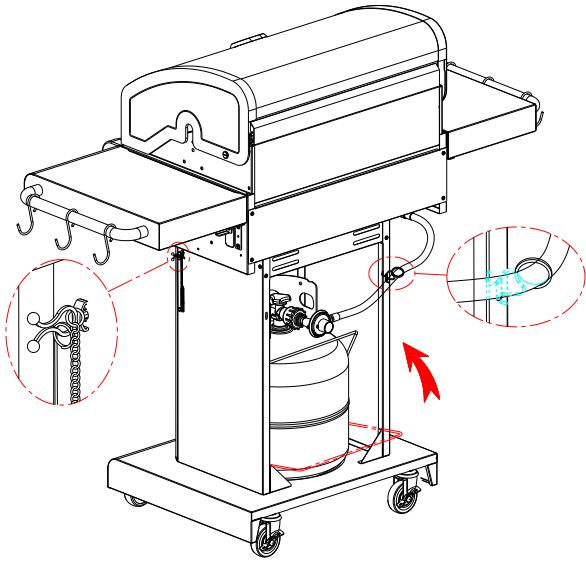
- Coloque los difusores de calor sobre los quemadores. Los difusores cabrán en la cámara de combustión en cualquier dirección.
- Coloque las lengüetas en el frente de la cámara de combustión a través de las ranuras en las puntas del difusor. Coloque las puntas del difusor al lado de las pestañas en la parte posterior de la cámara de combustión.
- Coloque las rejillas de cocción en los soportes de la rejilla.
- Inserte las lengüetas en la parte posterior de la rejilla de calentamiento en los orificios del panel posterior.



12

Copa de goteo:

- El tanque LP se vende por separado. Use solo con un tanque de LP equipado con OPD (dispositivo de protección de sobrecarga). Rellene y controle las fugas antes de colocarlas en la parrilla y el regulador. Coloque el tanque LP en el agujero en el estante inferior con la abertura del collar del tanque mirando hacia atrás como se muestra. Levante el soporte del tanque para mantener el tanque LP firmemente en su lugar. Asegure la manguera del regulador al orificio de la ranura del panel lateral derecho con el pasador de retención de la manguera.
- Cuelgue el clip de la taza de goteo en la parte inferior de la cámara de combustión y coloque la taza de goteo en el sujetador de la taza de goteo.
- Desatornille la tapa del encendedor del panel de control. Inserte una batería AA (provista) en la ranura de la batería con el extremo positivo (+) hacia afuera. Vuelva a atornillar la tapa al panel.
- Bloquee la rueda como se muestra para fijar la parrilla en un lugar seguro.



CAUTION



Si no se instala el clip de la taza de goteo y la taza, el goteo caliente goteará desde el fondo de la parrilla con riesgo de incendio o daños a la propiedad.



CAUTION



Si no instala correctamente el tanque, es posible que la manguera de gas se dañe durante el funcionamiento.

EMERGENCIAS: si no se puede detener una fuga de gas o si se produce un incendio debido a una fuga de gas, llame al departamento de bomberos.

Problema	Causa posible	Prevención / solución
Fuga de gas de la manguera agrietada / cortada / quemada.	<ul style="list-style-type: none"> Manguera dañada 	<ul style="list-style-type: none"> Apague el gas en el cilindro de LP o en la fuente en los sistemas de gas natural. Si la manguera está agrietada o cortada pero no quemada, simplemente reemplace la válvula / manguera / regulador. Si la manguera se quema, la causa podría ser otra que una válvula / manguera / regulador defectuosos. Suspenda el uso de la parrilla hasta que un técnico de fontanería o gas investigue y corrija el problema. Reemplace el cilindro LP. Apague la válvula del cilindro LP. Devuelva el cilindro de LP al proveedor de gas. Apague la válvula del cilindro LP. Retire el regulador del cilindro e inspeccione visualmente el sello de goma para ver si está dañado. Vea la Prueba de fugas del cilindro LP y el Regulador de conexión al cilindro LP. Desactive las perillas de control y la válvula del cilindro de LP. Deje la tapa abierta para permitir que las llamas desaparezcan. Después de que el fuego haya salido y la parrilla esté fría, quite el quemador e inspeccione si hay nidos de arañas u óxido. Vea las secciones de Alerta de Spider y Limpieza del ensamblaje del quemador de esta Guía de uso y cuidado. Desactive las perillas de control y la válvula del cilindro de LP. Deje la tapa abierta para permitir que las llamas desaparezcan. Después de enfriar, limpie las partículas de comida y el exceso de goteo desde el interior del área del hogar, la bandeja de goteo y otras superficies.
Fuga de gas del cilindro de LP.	<ul style="list-style-type: none"> Falla mecánica debido a la oxidación o maltrato 	
Fuga de gas de la válvula de cilindro de LP.	<ul style="list-style-type: none"> Falla de la válvula del cilindro por mal manejo o falla mecánica. 	
Fuga de gas entre el cilindro de LP y la conexión del regulador.	<ul style="list-style-type: none"> Instalación incorrecta, conexión no apretada, falla de sello de goma. 	
Fuego que entra por el panel de control.	<ul style="list-style-type: none"> Incendio en la sección del quemador debido al bloqueo. Demasiada acumulación de goteo en el área del quemador. 	

Solución de problemas

Problema	Causa posible	Prevención / solución
<p>Los quemadores no se encenderán con el encendedor. (Consulte también Solución de problemas de encendido electrónico)</p> <p>Continúa en la próxima</p>	<p>CUESTIONES DE GAS:</p> <p>Goteo de fuego o llamas excesivas continuas sobre la superficie de cocción.</p> <ul style="list-style-type: none"> Tratando de encender el quemador equivocado. Quemador no conectado con la válvula de control. Obstrucción en el quemador. No hay flujo de gas. Cerradura de vapor en la tuerca de acoplamiento al cilindro de LP. Tuerca de acoplamiento y válvula de cilindro de LP no totalmente conectado Electrodo agrietado o roto; "Chispas en crack. La punta del electrodo no está en la posición correcta. Alambre y / o electrodo cubierto con residuos de cocción <ul style="list-style-type: none"> Los cables están sueltos o desconectados. Los cables están en cortocircuito (chispas) entre el encendedor y el electrodo. Batería muerta. 	<ul style="list-style-type: none"> Consulte las instrucciones en el panel de control y en la sección Uso y cuidado. Asegúrese de que las válvulas estén ubicadas dentro de los tubos del quemador. Asegúrese de que los tubos del quemador no estén obstruidos con telarañas u otras materias. Consulte la sección de limpieza de Uso y cuidado. Asegúrese de que el cilindro LP no esté vacío. Si el cilindro LP no está vacío, consulte "Caída repentina del flujo de gas". Desactive las perillas y desconecte la tuerca de acoplamiento del cilindro de LP. Vuelva a conectar y vuelva a intentarlo. Gire la tuerca de acoplamiento aproximadamente de la mitad a las tres cuartas partes vuelta adicional hasta parada sólida. Apriete solo a mano - no use herramientas. Reemplace los electrodos. Quemadores principales: <ul style="list-style-type: none"> La punta del electrodo debe apuntar hacia la abertura del puerto de gas en el quemador. La distancia debe ser de 1/8 "a 1/4". Ajustelo si es necesario. Limpie el alambre y / o el electrodo con alcohol y un hisopo limpio. Vuelva a conectar los cables o reemplace el conjunto de electrodos / cables. Reemplace el ensamblaje del cable del encendedor / electrodo.

Solución de problemas (continuación)

Problem	Possible Cause	Prevention / Solution
Los quemadores no se encenderán con el encendedor. (Consulte también Solución de problemas de encendido electrónico)	IGNICIÓN ELECTRÓNICA: <ul style="list-style-type: none"> • Sin chispas, sin ruido de ignición. • Sin chispas, algún ruido de ignición. • Chispas, pero no en el electrodo o en su totalidad fuerza. 	<ul style="list-style-type: none"> • Vea la sección I del sistema de encendido electrónico. • Consulte la Sección II del Sistema de encendido electrónico. • Consulte la Sección III del Sistema de encendido electrónico.
Los quemadores no coincidirán con la luz.	<ul style="list-style-type: none"> • Vea "PROBLEMAS DE GAS:" en la página anterior. • El partido no llegará. • Método incorrecto de iluminación de partidos. 	<ul style="list-style-type: none"> • Use fósforo de tallo largo (fósforo de chimenea).
Caída repentina de gas flujo o baja llama	<ul style="list-style-type: none"> • Sin gasolina. • Se disparó la válvula de exceso de flujo. • Consulte la Sección III del Sistema de encendido electrónico 	<ul style="list-style-type: none"> • Verifique si hay gas en el cilindro de LP. • Desactive las perillas, espere 30 segundos y encienda la parrilla. Si las llamas aún son bajas, desconecte las perillas y la válvula del cilindro de LP. Desconecte el regulador. Vuelva a conectar el regulador y la prueba de fugas. Encienda la válvula de cilindro de LP, espere 30 segundos y luego encienda la parrilla. • Desactive las perillas y la válvula del cilindro de LP. Desconecte la tuerca de acoplamiento del cilindro. Vuelva a conectar y vuelva a intentarlo.
Las llamas se apagan.	<ul style="list-style-type: none"> • Vientos altos o racheados. • Bajo en gas LP. • Se disparó la válvula de exceso de flujo. 	<ul style="list-style-type: none"> • Gire el frente de la parrilla para enfrentar el viento o aumente la altura de la llama. • Rellene el cilindro LP. • Refiérase a "Caída repentina en el flujo de gas" arriba.
Estallar.	<ul style="list-style-type: none"> • acumulación de goteo. • Grasa excesiva en la carne. • Temperatura de cocción excesiva.. 	<ul style="list-style-type: none"> • Limpie los quemadores y el interior de la parrilla / cámara de combustión. • Recorte la grasa de la carne antes de asar a la parrilla. • Ajuste (inferior) la temperatura en consecuencia..
Persistente goteo de fuego.	<ul style="list-style-type: none"> • Goteo atrapado por la acumulación de alimentos alrededor del sistema de la hornilla. 	<ul style="list-style-type: none"> • Gire las perillas a la posición OFF. Desconecte el gas en el cilindro LP. Deje la tapa en posición y deje que se queme el fuego. Después de que la parrilla se enfríe, retire y limpie todas las partes.
Escena retrospectiva... (fuego en el (los) tubo (s) del quemador).	<ul style="list-style-type: none"> • Los quemadores y / o los tubos del quemador están bloqueados. 	<ul style="list-style-type: none"> • Gire las perillas a la posición OFF. Limpie los quemadores y / o los tubos del quemador. Vea la sección de uso y cuidado de la limpieza del quemador.
No se puede completar LP cilindro..	<ul style="list-style-type: none"> • Bloqueo de vapor en la tuerca de acoplamiento / conexión del cilindro LP • Some dealers have older fill nozzles with worn threads. 	<ul style="list-style-type: none"> • Consulte la sección "Uso de iluminación" de la sección Uso y cuidado.
Un quemador no se enciende desde otro quemador (s).	<ul style="list-style-type: none"> • Colocación de goteo o partículas de alimentos en el (los) extremo (s) del tubo (s) de arrastre. 	<ul style="list-style-type: none"> • Clean carry-over tube(s) with wire brush. • Las boquillas desgastadas no tienen suficiente "mordida" para enganchar la válvula. Prueba un segundo distribuidor de LP.

Resolución de problemas – Encendido electrónico

Problema (encendido)	Causas probables	Procedimiento de revisión	Medidas de prevención / solución
SECCIÓN I No aparecen chispas en ningún electrodo cuando se pulsa el botón de encendido; no se oye ningún sonido del módulo de chispas.	<ul style="list-style-type: none"> • La pila no está instalada adecuadamente. • Pila gastada. • La unidad del botón no está instalada adecuadamente. • Módulo de chispas defectuoso. 	<ul style="list-style-type: none"> • Revise la orientación de la pila. • ¿Es una pila usada? • Revise que las piezas estén debidamente enroscadas. El botón debe desplazarse hacia arriba y hacia abajo sin trabas. • Si no se generan chispas con la pila nueva y las conexiones del cable están bien hechas, el módulo está defectuoso. 	<ul style="list-style-type: none"> • Instale la pila (verifique que los polos “+” y “-” estén orientados correctamente, con el extremo “+” hacia arriba y el extremo “-” hacia abajo). • Cámbiela por una pila alcalina nueva, de tamaño AA. • Desenrosque la tapa del botón y vuelva a instalarla; verifique que las roscas estén bien alineadas y bien enroscadas. • Cambie la unidad del módulo de chispas.
SECCIÓN II No aparece ninguna chispa en los electrodos cuando se pulsa el interruptor de encendido; no se oye ningún sonido	<ul style="list-style-type: none"> • Las conexiones del cable de salida no están bien hechas. 	<ul style="list-style-type: none"> • ¿Están conectadas y bien hechas las conexiones de salida? 	<ul style="list-style-type: none"> • Retire y vuelva a hacer todas las conexiones de salida en el módulo y en los electrodos
SECCIÓN III Hay chispas pero no en todos los electrodos y/o no a plena potencia	<ul style="list-style-type: none"> • Las conexiones del cable de salida no están bien hechas. • El arco de la parrilla se forma lejos del (de los) quemador(es). • Pila débil. • Los electrodos están húmedos. • Los electrodos están agrietados o rotos, con "chispas en las grietas". 	<ul style="list-style-type: none"> • ¿Están conectadas y bien hechas las conexiones de salida? • Si es posible, observe la parrilla en un lugar oscuro. Haga funcionar el sistema de encendido y trate de detectar la formación del arco entre los cables de salida y el marco de la parrilla. • Se forman todas las chispas, pero son débiles o lentas. • ¿Se ha acumulado humedad en el electrodo y/o en los orificios de combustión? • Examine los electrodos para detectar grietas. 	<ul style="list-style-type: none"> • Retire y vuelva a hacer todas las conexiones de salida en el módulo y en los electrodos. • Si se observan chispas que no sean del (de los) quemador(es), es posible que esté dañado el aislamiento de los cables. Cambie los cables. • Cambie la pila por una pila alcalina nueva, de tamaño AA. • Use una toalla de papel para secar la humedad. • Cambie los electrodos agrietados o rotos.
SECCIÓN IV La parrilla no se está poniendo caliente solo alcanza 250 - 300 grados	<ul style="list-style-type: none"> • Esto generalmente ocurre cuando enciende las perillas de control antes de encender la válvula del tanque de LP. De ser así, esto activará el dispositivo de seguridad del regulador de gas, la parrilla solo alcanzará temperaturas entre 250 y 300F incluso con todos los quemadores en la posición alta. 	<ul style="list-style-type: none"> • ¿El regulador está encendido y correcto? • Asegúrese de que el regulador esté conectado correctamente al tanque y que las perillas de control estén todas en la posición de apagado. 	<ul style="list-style-type: none"> • Abra la tapa de la parrilla. • Apague todas las perillas en el panel de control en frente. • Apague la perilla del tanque. • Desconecte el regulador del tanque de LP. Espera 30 segundos • Vuelva a conectar el regulador al tanque de LP. • Abra lentamente la perilla del tanque de LP completamente abierta. No ejerza una fuerza excesiva sobre la válvula en la posición completamente abierta para evitar dañar la válvula. • Gire una perilla de control adecuada y encienda la parrilla según las instrucciones de encendido.

