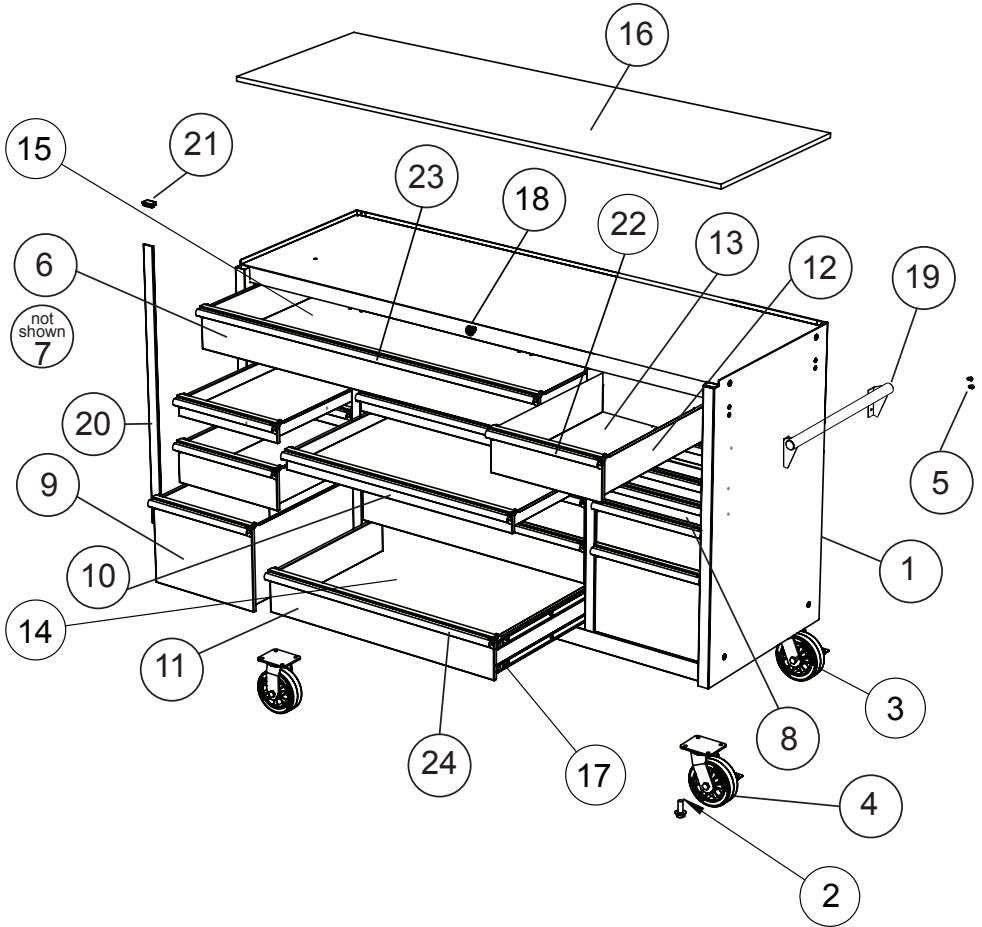


**72 inch Painted Steel  
Roller Cabinet**

**Model:  
DX722117RC**

Extreme Tools, Inc.  
740 Frontenac Road  
Naperville, Illinois 60563  
630.369.9303  
[www.ExtremeTools.net](http://www.ExtremeTools.net)

# Roller Cabinet Parts List DX722117RC



Replacement keys may be ordered using the code that appears on the face of the lock.

To order replacement parts, have the part number, tool box and drawer pull color and quantity ready.

If under warranty, the serial number is **REQUIRED** to get replacement parts.

Not all parts are available under warranty and may be purchased separately.

# Roller Cabinet Parts List

## DX722117RC

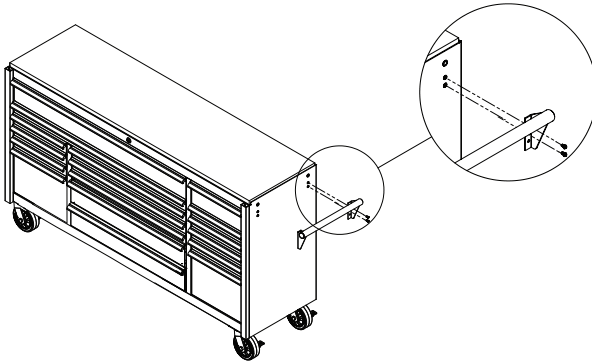
ITEM NO	PART NUMBER	DESCRIPTION	QTY
1	DX722117RC-00	BODY WELDMENT	1
2	M10-1.5 X 25	M10 CASTER BOLT	16
3	Z-CA6R(CR)	6 X 2 MAG WHEEL RIGID CASTER	2
4	Z-CA6SB(CR)	6 X 2 MAG WHEEL SWIVEL/BRAKE CASTER	2
5	Z-SCM6-12MM	M6-1.0 X 12 SOCKET HEAD SCREW	4
6	DXQDR-1A	DRAWER 1	1
7	DXQDR-2A	DRAWER 2	1
8	DXQDR-3A	DRAWER 3	7
9	DXQDR-4A	DRAWER 4	2
10	DXQDR-5A	DRAWER 5	3
11	DXQDR-6A	DRAWER 6	2
12	DXQDR-7A	DRAWER 7	1
13	Z-DL7221S	PVC DRAWER LINER - SMALL	10
14	Z-DL7221M	PVC DRAWER LINER - MEDIUM	5
15	Z-DL7221L	PVC DRAWER LINER - LARGE	2
16	Z-WT7221	LAMINATE WORK TOP	1
17	Z-SW-100LB-16938	15.25" 100 LBS. BALL BEARING SLIDE SET	23
18	304005	TUBULAR LOCK & KEYS - SEE LOCK FACE/KEYS FOR CODE	1
19	Z-HNDL15(V2)	DX SIDE HANDLE	1
20	Z-DXVT868	VERTICAL SIDE TRIM	2
21	Z-DXEC	PLASTIC END CAPS	2
22	DXDPA-399	QUICK RELEASE DRAWER PULL	10
23	DXDPA-1305	QUICK RELEASE DRAWER PULL	2
24	DXDPA-865	QUICK RELEASE DRAWER PULL	5

# ASSEMBLY

## Handle Installation

NOTE: Assemble the handle first to make it easier to move the tool cabinet.

Position the handle over the holes in the cabinet and attach with the provided (4) M6 socket head screws. Tighten securely.



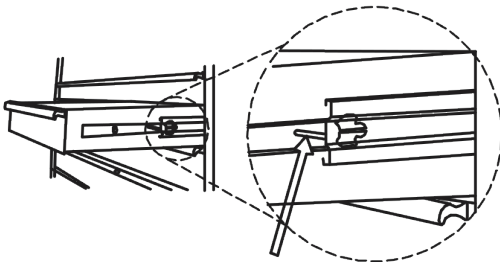
## OPERATING PROCEDURE

### Drawer Removal

Pull drawer out so that it is almost fully extended.

Push up on the black lever on one drawer slide and at the same time push down on the lever on the other side.

With the levers in these positions, pull the drawer out until it releases from the drawer slides.

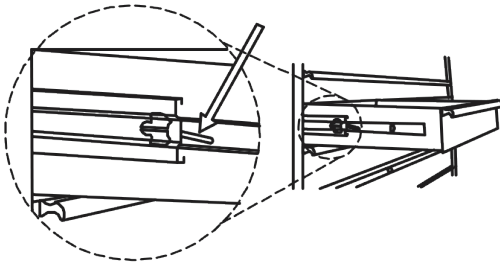


### Drawer Replacement

Extend the drawer slides.

Carefully align the brackets on the sides of the drawers with the slots of the cabinet slides. Insert the brackets on the side of each drawer into the slots of the cabinet slides.

Once properly inserted, completely close the drawer to set the slides into their properly functioning positions.



## **MAINTENANCE**

Lubricate the casters once a year with high quality ball bearing grease.

Lubricate the slides twice a year with high quality, petroleum-based lubricant. This may be required more often if operating the tool box in colder climates.

Use mild detergent and water to clean drawer fronts, drawer trim and other surfaces.

Grease and oil can be removed with standard, non-abrasive, non-flammable cleaning products.

Auto wax will help preserve the unit's high gloss finish. Follow directions as provided.

# SAFETY



## WARNING

Do not attempt to lift the cabinet by its side handle using chains, ropes or lifting device. Side handle may fail resulting in personal injury or damage to the product! Use a forklift or similar lifting device with forks placed under the bottom of the tool box to move if tool box cannot be moved by two people.

Close the drawers and lock the tool box before moving this product! If drawers are not locked they could open and make the product unstable and tip which may cause personal injury or damage to the product.

Do NOT stand on this product or lean on the drawer or work top.

Wear safety glasses when removing or repositioning the slides. The tool box could slip resulting in personal injury.

Do NOT mount this product on a truck bed or other moving object. This may cause personal injury or product damage. Mounting this product on any surface will void the warranty.

Do NOT tow with power equipment. The product could tip which may cause personal injury or product damage.

Do NOT alter this product in any manner or attach electrical equipment. This may cause personal injury or product damage and will void the warranty.

If using the combination top chest and roller cabinet, the top chest MUST be secured to the roller cabinet by following the directions provided. Not securing the top chest to the roller cabinet may cause the product to become unstable which may cause personal injury or damage to the product.



## CAUTION - IMPORTANT PRODUCT INFORMATION

### **DRAWERS MUST BE CLOSED AND TOOL BOX LOCKED USING KEYS BEFORE MOVING!**

The maximum weight for each drawer should not exceed 100 lbs. (45 kg) for single slides and 200 lbs. (90 kg) for drawers with double slides.

Maximum overall weight should not exceed 3,600 lbs. (1,632 kg.)

Use caution when closing the chest lid. Remove hands from the area before closing to prevent personal injury.

Do NOT pull this product. Push the product to prevent personal injury.

ENGAGE THE BRAKES when not moving this product. Locked casters prevent the product from rolling. Rolling may result in personal injury or damage to the product.

This product may become unstable and tip if more than one drawer is open at a time. To prevent personal injury or damage to product, OPEN ONLY ONE DRAWER AT A TIME.

Lock product before moving. Properly secure if moving with a forklift or other device.

Keep the product on a level surface. The product could become unstable and tip if stored or moved on an uneven surface which may result in personal injury or product damage.

Remove the work surface from the roller cabinet before installing top chest.