



OWNER'S MANUAL

Electric Dethatcher 13A

Copyright All Rights Reserved.

Model DT71613AA



This product has been engineered and manufactured to our high standard for dependability, ease of operation, and operator safety. Properly cared for, it will give you years of rugged, trouble-free performance.



WARNING: To reduce the risk of injury, the user must read and understand the owner's manual before using this product.

Thank you for your purchase.

DO NOT RETURN THIS PRODUCT TO THE STORE. OPERATING, ASSEMBLY, PARTS, SERVICE QUESTIONS? GO TO WWW.AMERICANLAWNMOWER.COM, OR CALL 1-800-633-1501 BETWEEN 8:00AM-5:00PM EST FOR ASSISTANCE.

SAVE THIS MANUAL FOR FUTURE REFERENCE

SYMBOLS

Some of the following symbols may be used on this product. Please study them and learn their meaning. Proper interpretation of these symbols will allow you to operate the product better and safer.



Precautions that involve your safety.



CAUTION! Read the instruction manual and follow the warning and safety instructions!



CAUTION! Remove plug from outlet immediately if the cable is damaged or cut.



SWITCH OFF! the machine, wait until it comes to a complete standstill and remove plug from outlet prior to maintenance, cleaning or repair work!



CAUTION! Always wear eye and ear protection.



Wear safe, sturdy, nonskid footwear!



DANGER! objects may be thrown out at high speed when motor is running. Do not walk in front of running machine.



Keep bystanders at a safe distance.



Keep the electrical cord free of the auger. The auger may damage the cord and cause contact with live parts.



DANGER! Rotating blades. Keep hands and feet at a safe distance.



Do not place hand under auger.



Do not expose to rain or use in damp locations.



DANGER! Risk of electric shock.



Do not use in rain or electrical storms.



Waste electrical products should not be disposed of with household waste. Please recycle where facilities exist. Check with your Local Authority or retailer for recycling advice.



IMPORTANT SAFETY WARNINGS



TO REDUCE RISK OF INJURY: Before any use be sure everyone using this product reads and understands all safety instructions and other information contained in this manual.



CAUTION: Wear appropriate personal hearing protection during use. Under some conditions and duration of use, noise from this product may contribute to hearing loss.

Save these instructions and review frequently prior to use and in instructing others.



WARNING: When using electric gardening appliances, basic safety precautions should always be followed to reduce risk of fire, electric shock, and personal injury, including the following:

READ ALL INSTRUCTIONS

GENERAL SAFETY

REPLACEMENT PARTS

When servicing use only identical replacement parts.

POLARIZED PLUGS - To reduce the risk of electric shock, this product has a polarized plug. Polarized connections will fit together only one way. Make sure that the receptacle end of the extension cord has large and small blade slot widths. If the plug does not fit fully into the extension cord, reverse the plug. If it still does not fit, obtain a suitable extension cord. If the extension cord does not fit fully into the outlet, contact a qualified electrician to install the proper outlet. Do not change the plug on the tool or the extension cord in any way.

AVOID DANGEROUS ENVIRONMENTS - Don't use this product in rainy, stormy, damp or wet locations. Do not operate in gaseous or explosive atmospheres. Motors in these products normally spark, and the sparks might ignite fumes. Don't use in rain.

KEEP CHILDREN AWAY - All visitors, children and pets should stay at a safe distance from the work area.

DRESS PROPERLY - Don't wear loose clothing or jewelry and wear protective hair covering to contain long hair. They can be caught in moving parts. Use of rubber gloves and substantial footwear is recommended when working outdoors.

USE SAFETY GLASSES - Wear safety glasses with side shields or goggles that are marked to comply with ANSI Z87.1 standard when operating this product. Use face or dust mask if environment is dusty.

USE RIGHT APPLIANCE - Do not use this product for any job except that for which it is intended.

GROUND FAULT CIRCUIT INTERRUPTER (GFCI) protection should be provided on the circuit or outlet to be used for the tiller/cultivator. Receptacles are available having built-in GFCI protection and may be used.



WARNING: To reduce the risk of electric shock, use only with an extension cord intended for outdoor use, such as an extension cord of cord type SW-A, SOW-A, STW-A, STOW-A, SJW-A, SJOW-A, SJTW-A. or SJTOW-A.

EXTENSION CORD. Make sure your extension cord is in good condition. When using an extension cord be sure it is heavy enough to carry the current your product will draw. An undersized extension cord will cause a drop in line voltage resulting in loss of power and overheating. The following table shows the correct size to use depending on cord length and nameplate ampere rating. If in doubt, use the next heavier gage. The smaller the gage number, the heavier the cord.

Volts	Minimum Gage for Cord Sets				
	Total Length of cord in Feet				
120V	0-25	26-50	51-100	101-150	
Ampere Rating	More Than		Not More Than		American wire Gage
0	6	18	16	16	
6	10	18	16	14	12
10	12	16	16	14	12
12	16	14	12	Not Recommended	

It is possible to tie the extension cord and power cord in a knot to prevent them from becoming disconnected during use. Make the knot as shown, then connect the plug end of the power cord into the receptacle end of the extension cord. This method can also be used to tie two extension cords together.



Use one of the plug-receptacle retaining straps or connectors described in this manual.

Avoid Unintentional Starting – Don't carry plugged-in appliance with finger on switch. Be sure switch is off when plugging in.

DON'T ABUSE CORD - Never carry this product by the cord or yank the cord to disconnect from the receptacle. Keep cord from heat, oil, and sharp edges.

DON'T FORCE APPLIANCE – It will do the job better and with less likelihood of a risk of injury at the rate for which it was designed.

DON'T OVERREACH - Guide the appliance at a walking pace only. Keep proper footing and balance at all times.

STAY ALERT - Watch what you are doing. Use common sense. Do not operate the appliance when you are tired or under the influence of drugs or medication.


DISCONNECT APPLIANCE – Disconnect the appliance from the power supply when not in use, before servicing, when changing accessories such as blades, and the like. Do not leave unattended.


STORE IDLE UNIT INDOORS - When not in use, the appliance should be stored indoors in a dry area out of children's reach.


GENERAL SAFETY


MAINTAIN UNIT WITH CARE - Keep clean for best performance and to reduce the risk of injury. Follow instructions for lubricating and changing accessories. Inspect unit cord periodically, and if damaged, have it repaired by an authorized service facility. Inspect extension cord periodically and replace if damaged. Keep handles dry, clean and free from oil.

CHECK FOR DAMAGED PARTS - Before further use of the product, any part that is damaged should be carefully checked to determine that it will operate properly and perform its intended function. Check for alignment of moving parts, binding of moving parts, breakage of parts, mounting and any other condition that may affect its operation. Any part that is damaged should be properly repaired or replaced. For assistance call our customer service help line at 1-800-633-1501.

 **WARNING:** Keep hands and feet away from blades.


 **DOUBLE INSULATION** – The appliance has double insulation. This means that all external metal parts are insulated from the electrical supply. This is achieved by introducing an insulation layer between electrical and mechanical parts. The double insulation guarantees you the greatest possible safety.


 **WARNING** - To reduce the risk of electric shock, do not expose unit to water or operate unit on wet ground.

 **WARNING** - To reduce the risk of injury to persons, do not operate without guards in place.

Be aware of the extension cord while operating the appliance. Be careful not to trip on the cord. Always guide the cord away from the blade.

OVERHEAT PROTECTION - If the dethatcher is blocked by a foreign object or if the motor is overloaded, the motor will switch off automatically by the protection device. Wait for the motor to cool down (approx. 15 minutes) before starting the dethatcher again.

 **CAUTION:** The appliance may bounce upward and/or jump forward if the tines strike extremely hard packed soil, frozen ground, or buried obstacles such as large stones, roots or stumps.


 **WARNING:** Replace damaged cord immediately.

LIGHTING - Only operate your appliance in daylight or good artificial light.

Do not operate the dethatcher on a slope that is too steep for safe operation. When on slopes, slow down and make sure you have good footing.


Before starting the dethatcher make sure the blade is not touching any object and are free to move.

Always hold the tool with both hands. Never operate the appliance with one hand.


 **WARNING:** Do not operate the appliance near underground electrical cables, telephone lines, pipes or hoses.

If the appliance strikes a foreign body, turn it off immediately, wait for the tines to stop and check for damage. If necessary, repair before restarting.


If the appliance starts to vibrate abnormally, turn it off immediately and check for the cause. Vibration is generally a warning of trouble.


 **DANGER: RISK OF CUT** - Wear gloves and use caution when cleaning or performing maintenance on the appliance.

Always turn off the appliance, disconnect from the power supply and wait until the tines come to a complete stop before carrying out any maintenance or repairs.

 **CAUTION:** Tines do not stop immediately after the unit is turned off.

 **CAUTION:** Risk of injury. Do not put hands, feet or any body part or clothing near the rotating tines.

 **WARNING: California Proposition 65:** This product contains chemicals known to the State of California to cause cancer, birth defects or other reproductive harm.

 **WARNING:** Some dust and debris created by the use of this tool could contain chemicals known to the State of California to cause cancer and birth defects or other reproductive harm.

Some examples of these chemicals are:

- chemicals in fertilizers
- compounds in insecticides, herbicides, and pesticides
- arsenic and chromium from chemically treated lumber

Your risk from exposure to these chemicals varies, depending on how often you do this type of work. To reduce your exposure, work in a well-ventilated area and with approved safety equipment such as dust masks that are specially designed to filter out microscopic particles.

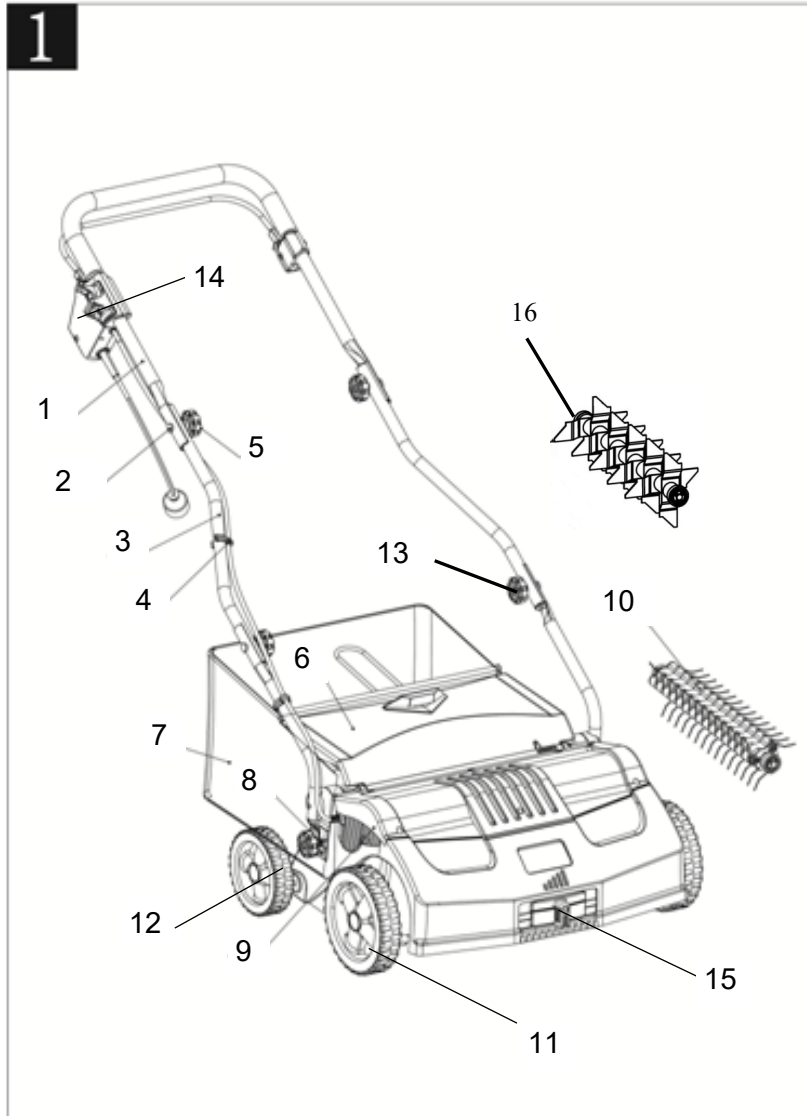
 **WARNING:** Cancer and Reproductive Harm - www.P65Warnings.ca.gov.

PRODUCT SPECIFICATIONS

Model: DT71613AA

Power supply voltage: 120 V-60 Hz
 No Load Speed: 3200 RPM
 Power Consumption: 13 Amp

Working width: 16-IN
 Working depth: -10 mm ~ 10 mm
 Grass Catcher Capacity: 1.1 Bushel



No.	Description	No.	Description
1	Upper handle	9	Motor housing
2	Upper handle bolt	10	Raker cylinder
3	Center handle	11	Front wheel
4	Cable clip	12	Rear wheel
5	Upper fluted nut	13	Lower fluted nut
6	Rear deck cover	14	Bail wire and switch box
7	Grass catcher	15	Depth adjustment lever
8	Lock Knob	16	Scarifier

ASSEMBLY

This product requires assembly.

Carefully remove the product and any accessories from the box. Make sure that all items listed in the packing list are included.

Inspect the product carefully to make sure no breakage or damage occurred during shipping.

Do not discard the packing material until you have carefully inspected and satisfactorily operated the product.

PACKING LIST

- Dethatcher
- Upper Handle Section
- Center Handle Section
- Grass catcher
- Hardware Bag
- Scarifier
- Owner's Manual

WARNING: If any parts are damaged or missing, do not operate this product until the parts are replaced. Failure to heed this warning could result in serious personal injury.

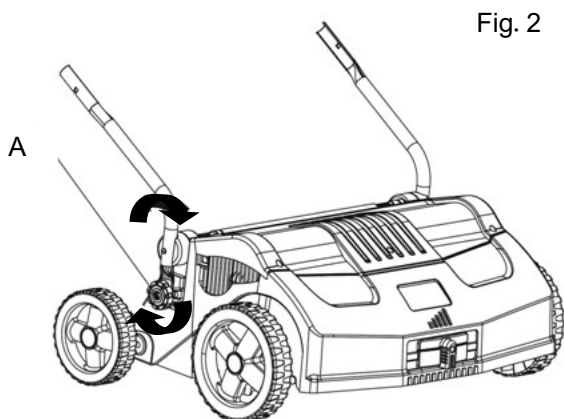
If any parts are damaged or missing, please call customer service at 1-800-633-1501 for assistance.

WARNING: Do not connect to power supply until assembly is complete. Failure to comply could result in accidental starting and possible serious personal injury.

WARNING: Do not attempt to modify this product or create accessories not recommended for use with this product. Any such alteration or modification is misuse and could result in a hazardous condition leading to possible serious personal injury.

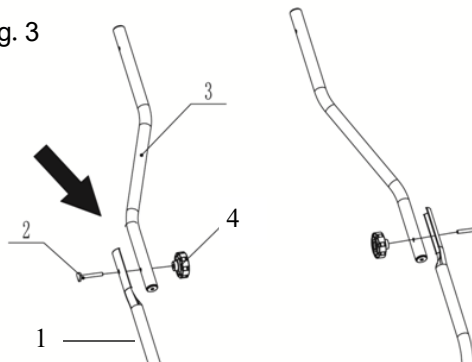
HANDLES ASSEMBLY

- Lift up the lower handle by turning the lock knob (A) clockwise to tighten. (Fig. 2)



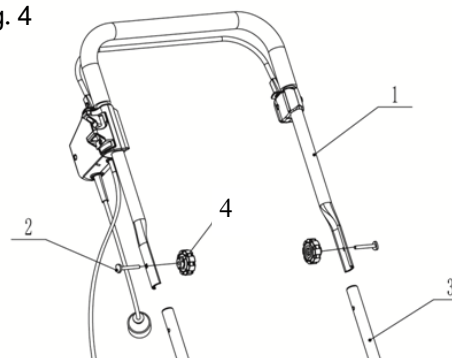
- Align the holes on lower (1) and center handles (3). Thread the handle bolt (2) into the hole and secure the handles with a fluted nut (4).
- Repeat on the opposite side. (Fig. 3)

Fig. 3



- Install the upper handle (1) onto the assembled center handles (3).
- Align the holes on upper handle with the holes on center handles. Secure the handles with bolts (2) and fluted nuts (4). (Fig. 4)

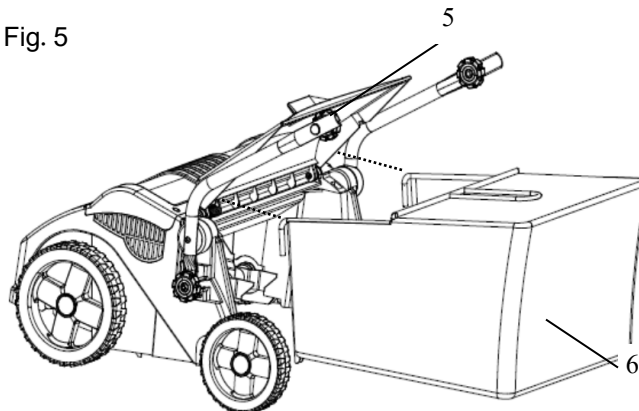
Fig. 4



GRASS CATCHER ASSEMBLY

- Lift up the rear deck cover (5) and attach the grass catcher (6) with hooks (7) onto the slots on motor housing. (Fig. 5)

Fig. 5



OPERATING

STARTING:

Secure the extension cord into the cord retainer. The loop of the extension cord must be long enough for the cord retainer to freely slide from one side to the other. Plug the extension cord into the power cord plug on the tool. (See Fig. 6)

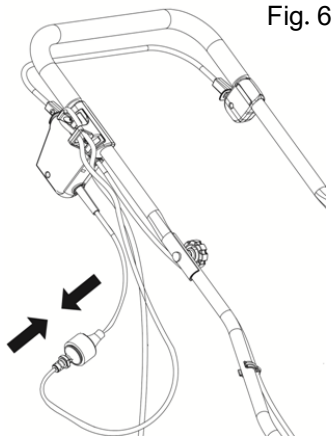


Fig. 6

Move the dethatcher to the work area prior to starting the motor.

WARNING: Do not start dethatcher if it is standing in long grass or solid ground.

To Start

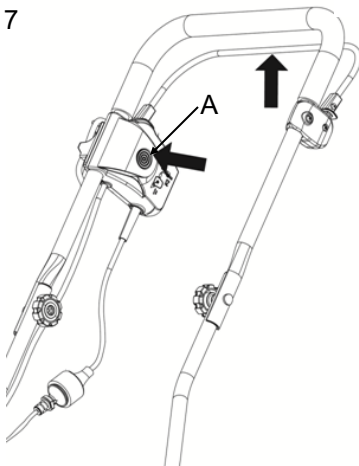
To start the dethatcher, press and hold the safety lock button (A) on the switch box while pulling the bail wire (B) up and toward the handle. The motor will start and the raker will begin to rotate. (See Fig. 7)

To stop the dethatcher, simply release the bail wire.

Before use, remove any visible stones or other foreign bodies from the area.

CAUTION: Before moving the dethatcher from one area to another switch off the motor and wait for the raker to come to a complete stop. Be careful not to let the raker touch the ground while moving the dethatcher. The raker as well as the unit itself may be damaged even if the motor is switched off.

Fig. 7



RAKER FUNCTION

With the raker cylinder, this appliance can be used as a raker for removing weeds and moss in the lawn as well as leaves debris. In order to develop a healthy lawn in the spring, it is necessary for greater amounts of air to penetrate the area around the roots of the grass. We recommend raking the lawn twice a year, e.g. in the Spring and in the Autumn.

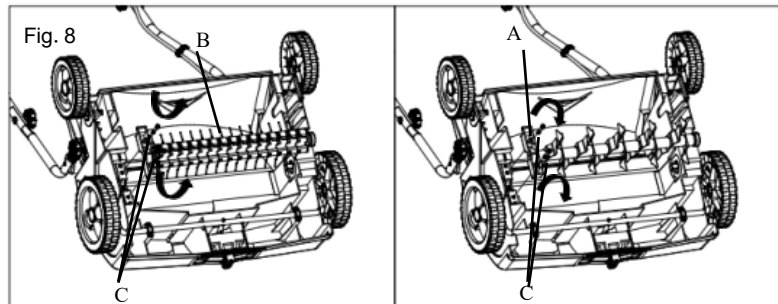
To achieve good result and increase the lifetime of the raker cylinder, mow your lawn to a shorter height (less than 4 cm) before starting.

CHANGING INTO SCARIFIER FUNCTION

This dethatcher can be used under scarifier function as needed. To start with scarifier (A), remove the raker (B) from the unit by loosening two screws (C) counter-clockwise.

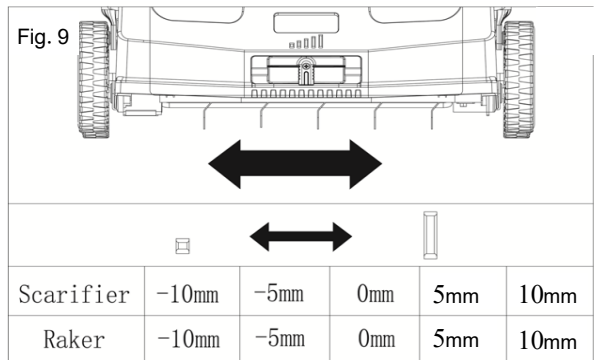
And pull it directly out of the mounting bracket. Then replace it with a scarifier by inserting the right side of the scarifier into the post as protruding out of the housing and align the other side of the scarifier with the holes on the bracket and secure them with two screws (C) by turning clockwise.

Make sure the scarifier is correctly secured on the unit before starting. (Fig. 8)



SET WORKING DEPTH

This dethatcher can be set 5 raking depth positions. Slide the depth adjustment lever to the left or right to control the working depth as follows:



Select the working depth depending upon the state of the lawn and the actual height of the grass. Tilt the dethatcher backwards slightly so that both front wheels are off the ground.

Switch the dethatcher on, the raker cylinder starts rotation freely.

Always guide the dethatcher at an even speed depending on the type of ground. Remaining in one place too long can damage the grass, if the ground is wet or too dry.

To prevent tripping, take particular care when moving backwards and when pulling the dethatcher.

Never pass the dethatcher over the extension cable while it is running; make sure it is always in a safe position behind your back. (Fig. 10).

When working on inclines always stand diagonally to the incline in a sturdy, safe stance. Do not work on extremely steep slopes.

Empty the grass box when it is full in order to prevent the blade from becoming clogged and the motor from being overload.

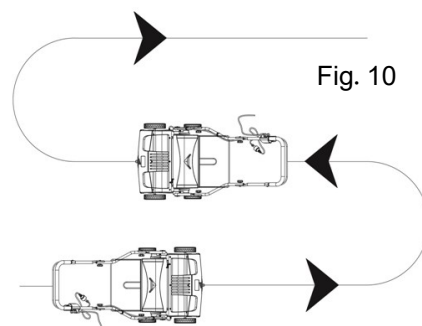


Fig. 10

MAINTENANCE

WARNING: Before carrying out maintenance operations, disconnect power supply. Failure to heed this warning could result in serious personal injury.

Before each use check the extension cord for signs of damage or aging. Replace the cable if it is cracked, split or otherwise damaged. Check the condition of the dethatcher and ensure that all threaded connections are securely tightened.

CAUTION: Always clean the dethatcher after each use. Failure to carry out proper cleaning can result in damage to the dethatcher or result in poor performance.

After each use remove the collection bag. Empty and clean the bag after each use. Always store this unit on a steady surface, and block the wheels to prevent it from rolling. Tilt the appliance forward.

Clean the underside of the housing around the blades and the safety flap with a scrubbing brush or rag. Never splash with water!

Stand the appliance on its wheels again, clean the ventilator and any remaining grass or dirt.

Replace worn or damaged parts with original replacement parts only. Parts from another dethatcher may not fit properly causing an unsafe situation.

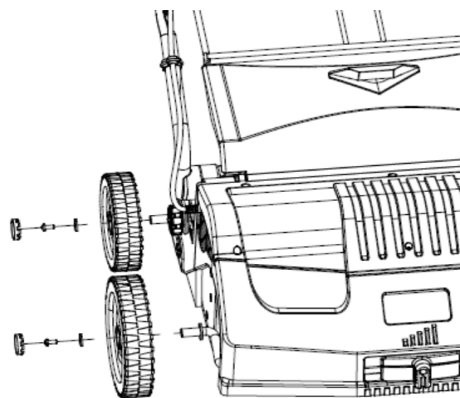
Make sure all protective devices are secure and in good condition. Repair or replace if necessary.

WARNING: Injury can occur while working on the blade. Wear protective gloves.

Wheels Removal and Installation (Fig. 11)

To remove the front and rear wheels from the shafts, pry out wheel caps, remove the M5 X 12 hex head bolts and O-rings from the shafts. Remove the wheels from the shaft. Reverse above steps to install wheels.

Fig. 11



STORAGE

Store the Dethatcher in a dry, clean area out of reach of children.

During extended periods of storage, ensure that the dethatcher is protected against corrosion and rust.

At the end of the season, or if the dethatcher is not being used for longer than a month, wipe all metal surfaces with an oil impregnated cloth to protect them from corrosion or spray with a fine coat of oil. Fold the upper handle down, and store the dethatcher in a suitable place.

TROUBLESHOOTING

Problem	Possible causes	Remedy
Motor does not start	<ul style="list-style-type: none"> Unit not plugged in No electricity Defective cable Defective safety switch/plug Overheat protection activated 	<ul style="list-style-type: none"> Plug in the unit Check power supply Check cable. Repair or replace if required Arrange for repair 1. Working depth too large, set to a shorter depth. 2. Raker cylinder blocked, remove the blockage. 3. Grass too long, mow the lawn before operation. Wait until the motor cools down for about 15 minutes before further use.
Abnormal noises	<ul style="list-style-type: none"> Raker cylinder is jammed Cogged belt slipping Bolts, nuts or other components are loose. 	<ul style="list-style-type: none"> Switch off . Wait till the raker comes to a complete stop. Remove jammed objects. Dethatcher must be repaired. Call our customer service help line at 1-800-633-1501 for assistance. Tighten all components. Arrange for repair if noises continue.
Abnormal vibrations	<ul style="list-style-type: none"> Raker or scarifier damaged or worn Working depth too large 	<ul style="list-style-type: none"> Replace damaged or worn raker or scarifier. Set to correct working depth.
Poor results	<ul style="list-style-type: none"> Working depth too small Worn raker or scarifier Discharge opening blocked 	<ul style="list-style-type: none"> Set to correct working depth. Replace damaged or worn raker or scarifier. Empty grass catcher bag and remove blockage

CALL US FIRST !!

Call us first with questions about operating or maintaining your dethatcher
at 1-800-633-1501 between 8:00 a.m. – 5:00 p.m. Eastern
Standard Time, or get assistance on www.americanlawnmower.com.

PARTS AND SERVICE

For parts or service, please call 1-800-633-1501 or visit us online at www.americanlawnmower.com. Be sure to provide all relevant information when you call or visit.

REPAIR PARTS (KITS/ ITEMS)

The model/ serial number of this tool is found on a plate or label attached to the housing. Please record the serial number in the space provided below.

MODEL NUMBER DT71613AA

SERIAL NUMBER _____

Always mention the model number when ordering kits/items for this tool.

No.	Kit/Item Number	Description	QTY
1	DT-WK-1	Front Wheel Kit	1
2	DT-WK-2	Rear Wheel Kit	1
3	DT-LHK-1	Lower Handle Kit	1
4	DT-UHK-1	Upper Handle Kit	1
5	DT-HK-1	Hardware Kit	1
6	DT-TK-1	Raker	1
7	DT-TK-2	Scarifier	1
8	DT-GC-1	DT Catcher	1

CALL US FIRST !!

Call us first with questions about operating or maintaining your dethatcher at 1-800-633-1501 between 8:00 a.m. – 5:00 p.m. Eastern Standard Time, or get assistance on www.americanlawnmower.com.



OWNER'S MANUAL Electric Dethatcher 13A

Copyright All Rights Reserved.

WARRANTY POLICY

Two (2) year limited warranty on Earthwise outdoor power equipment.

Earthwise warrants to the original owner that each new product and service part is free from defects in materials and workmanship and agrees to repair or replace any defective product or part for the warranty period as stated above from the original date of purchase except for the conditions and circumstances listed below:

This warranty applies only to the original purchaser at retail and may not be transferred.

Warranty applies if the product is used for personal, household or family use. Warranty is void if product is used for commercial, industrial or rental purposes.

Warranty does not include repairs necessary due to operator's abuse or negligence (including overloading the product beyond capacity or immersion in water), or the failure to assemble, operate, maintain or store the product according to the instructions in the operator's manual.

This warranty is not transferable and only applies to product sold directly from an authorized retailer. This warranty does not apply to any product, new or used, purchased through unauthorized third-party channels.

ANY INCIDENTAL, INDIRECT OR CONSEQUENTIAL LOSS, DAMAGE, OR EXPENSE THAT MAY RESULT FROM ANY DEFECT, FAILURE OR MALFUNCTION OF THE PRODUCT IS NOT COVERED BY THE WARRANTY. Some states do not allow the exclusion or limitation on how long an implied warranty lasts, so the above limitation may not apply to you.

Products sold damaged or incomplete, sold "as is", or sold as reconditioned are not covered under the warranty.

Damage or liability caused by shipping, improper handling, improper assembly, incorrect voltage, improper wiring, improper maintenance, improper modification or the use of accessories and/or attachments not specifically recommended is not covered by this warranty.

Expendable items that become worn during normal use are not covered by the warranty.

Warranty does not cover damage caused by cold, heat, rain, excessive humidity, corrosive environments and materials, or other contaminants.

Warranty does not include installation, assembly or normal adjustments explained in the owner's manual.

The expense of delivering the product to the vendor and the expense of returning the product or replacement parts to the owner is not covered by the warranty.

The warranty does not cover normal deterioration of the exterior finish, including but not limited to scratches, dents, paint chips or any corrosion or discoloration caused by heat, abrasive and chemical cleaners.

Proof of purchase, original dated sales receipt, must accompany all warranty claims.



American Lawn Mower Company
The Great States Corporation
7444 Shadeland Station Way
Indianapolis, IN 46256 USA
Phone 1-800-633-1501
www.americanlawnmower.com

In a continued commitment to improve quality, the Manufacturer reserves the right to make component changes or design changes when necessary.

Rev. 06/22/2021



MANUAL DEL OPERARIO Dethatcher eléctrico 13A

Copyright. Todos los derechos reservados.

Modelo DT71613AA



Este producto fue diseñado y fabricado de acuerdo con nuestros altos estándares de confiabilidad, facilidad de operación y seguridad para el operario. Si se trata con cuidado, esta herramienta le otorgará años de óptimo rendimiento y resistencia.



ADVERTENCIA: Para reducir el riesgo de sufrir alguna lesión, el usuario debe leer y comprender el manual del operario antes de usar este producto.

Muchas gracias por su compra.

NO DEVUELVA ESTE PRODUCTO A LA TIENDA. ¿TIENE PREGUNTAS SOBRE EL FUNCIONAMIENTO, EL MONTAJE, LAS PIEZAS Y EL MANTENIMIENTO? VAYA A WWW.AMERICANLAWNMOWER.COM, O LLAME AL 1-800-633-1501 ENTRE LAS 8:00 Y LAS 17:00 HORA DEL ESTE DE LOS ESTADOS UNIDOS.

GUARDE ESTE MANUAL PARA CONSULTAS FUTURAS

SÍMBOLOS

Algunos de los siguientes símbolos pueden aparecer en este producto. Tenga a bien estudiarlos y aprender su significado. La adecuada interpretación de estos símbolos le permitirá operar el producto mejor y de manera más segura.



Precauciones para su seguridad.



PRECAUCIÓN: Lea el manual de instrucciones y atienda las instrucciones de seguridad y advertencia.



PRECAUCIÓN: Retire el enchufe del tomacorriente de inmediato si el cable está dañado o cortado.



APAGUE la máquina, espere hasta que se detenga por completo y retire el enchufe del tomacorriente antes de realizar alguna tarea de mantenimiento, limpieza o reparación.



PRECAUCIÓN: Use siempre protecciones para sus ojos y oídos.



Use calzado seguro, resistente y antideslizante.



¡PELIGRO! Pueden ser lanzados objetos a gran velocidad cuando el motor está en funcionamiento. No pase delante de la máquina cuando está funcionando.



Mantenga a las personas que se encuentran en el lugar a una distancia segura.



Mantenga el cable eléctrico lejos de la barrena. La barrena puede dañar el cable y producir un contacto con piezas activas.



¡PELIGRO! Cuchillas giratorias. Mantenga manos y pies a una distancia segura.



No colocar la mano debajo de la barrena.



No colocar la mano enfrente del deflector de descarga.



No exponga la unidad a la lluvia ni la use en lugares húmedos.



¡PELIGRO! Riesgos de descargas eléctricas.



No usar en la lluvia. No usar durante tormentas eléctricas.



Los productos eléctricos no se deben desechar junto con los residuos domésticos. Recicle donde haya centros para tal fin. Consulte a la autoridad local o al distribuidor minorista para obtener asesoramiento sobre reciclado.



ADVERTENCIAS DE SEGURIDAD IMPORTANTES



PARA REDUCIR EL RIESGO DE LESIONES: Antes de utilizar este producto, cerciórese de que todos los usuarios lean y comprendan las instrucciones de seguridad y la demás información incluida en este manual.



PRECAUCIÓN: Use protección auditiva apropiada mientras trabaja. En ciertas condiciones y con cierta duración de uso, el ruido generado por este producto puede contribuir a la pérdida de la audición.

Guarde estas instrucciones y revíselas con frecuencia antes de usar la herramienta y para impartirlas a otros.



ADVERTENCIA: Al utilizar aparatos eléctricos para el jardín, se recomienda respetar las precauciones de seguridad básicas que se detallan a continuación, a fin de reducir riesgos de incendios, descargas eléctricas y lesiones personales.

LEA TODAS LAS INSTRUCCIONES

NORMAS GENERALES DE SEGURIDAD

PIEZAS DE REPUESTO

Cuando realice el servicio, utilice solo piezas de repuesto idénticas.

ENCHUFES POLARIZADOS. Para reducir el riesgo de descarga eléctrica, este producto tiene un enchufe polarizado. Las conexiones polarizadas encajan de una sola manera. Cerciórese de que el extremo del receptáculo del cable de extensión tenga ranuras de anchos diferentes para los contactos. Invierta el enchufe si no encaja totalmente en el cable de extensión. Si aún así no encaja, consiga un cable de extensión adecuado. Si el cable de extensión no se adapta bien al tomacorriente, llame a un electricista competente para que instale un tomacorriente adecuado. No cambie el enchufe de la herramienta ni el cable de extensión de ningún modo.

EVITE AMBIENTES PELIGROSOS. No utilice este producto en condiciones de lluvia o tormenta ni en lugares húmedos o mojados. Tampoco trabaje en entornos donde existan gases o sustancias explosivas. Por lo general, los motores de estos productos producen chispas que podrían inflamar los gases. No lo uses bajo la lluvia.

MANTENGA ALEJADOS A LOS NIÑOS. Todos los visitantes, niños y mascotas deben mantenerse a una distancia segura de la zona de trabajo.

USE ROPA ADECUADA. No use prendas sueltas ni artículos de joyería. Use protección para cubrir y contener el cabello largo ya que puede quedar atrapado en las piezas móviles. Se recomienda usar guantes de goma y calzado resistente cuando se trabaja al aire libre.

USE GAFAS DE SEGURIDAD. Al trabajar con este producto, use gafas de seguridad con protectores laterales que cumplan con la norma ANSI Z87.1. Protéjase la cara con una mascarilla antipolvo si hay polvo en el ambiente.

USE LA HERRAMIENTA CORRECTA. No utilice este producto en trabajos para los que no esté indicado.

INTERRUPTOR DE CIRCUITO POR FALLA A TIERRA (ICFT). El circuito o tomacorriente que se usen para el rotocultivador deben contar con esta protección. Se puede utilizar uno de los receptáculos que tengan la protección de ICFT incorporada.



ADVERTENCIA: Para reducir el riesgo de descarga eléctrica, use solo con un cable de extensión diseñado para uso en el exterior, como un cable de extensión tipo SW-A, SOW-A, STW-A, STOW-A, SJW-A, SJOW-A, SJWTW-A, o SJTOW-A.

CABLE DE EXTENSIÓN. Asegúrese de que el cable de extensión esté en buenas condiciones. Además, compruebe que tenga el grosor suficiente para transportar la corriente que necesitará el producto. Un cable de extensión muy pequeño provocará una disminución en la tensión de la línea y, como resultado, una pérdida de potencia y recalentamiento. La siguiente tabla muestra el tamaño correcto que se debe usar según la longitud del cable y el amperaje de la etiqueta. Ante la duda, utilice el siguiente calibre más grueso. Cuanto más bajo es el número de calibre, más grueso es el cable.

Voltios	Calibre mínimo para los cables			
	Longitud total del cable en pies			
120V	0-25	26-50	51-100	101-150
Amperaje		Calibre AWG		
Más de	No más de			
0	6	18	16	14
6	10	18	16	12
10	12	16	14	12
12	16	14	12	No se recomienda

El cable de extensión y el cable de alimentación se pueden atar para evitar que se desconecten durante el uso. Realice el nudo como se muestra en la imagen y luego conecte el enchufe del cable de alimentación en el receptáculo del cable de extensión. Este método también se puede aplicar para unir dos cables de extensión.



Utilice una de las correas de sujeción del receptáculo o Conectores descritos en este manual.

Evite el arranque involuntario: no lleve el artefacto enchufado con el dedo en el interruptor. Asegúrese de que el interruptor esté apagado al enchufarlo.

NO MALTRATE EL CABLE. Nunca tire del cable para trasladar este producto ni para desconectarlo del receptáculo. Aleje el cable del calor, el aceite y los bordes filosos.

NO FUERCE UN APARATO: hará el trabajo mejor y con menos probabilidades de sufrir lesiones a la velocidad para la cual fue diseñado.

NO ADOPTÉ UNA POSTURA INCÓMODA. Guíe el rotocultivador sólo a paso de hombre. Mantenga una base de apoyo firme y buen equilibrio en todo momento.

PONGA ATENCIÓN. Observe lo que está haciendo. Use el sentido común. No opere el rotocultivador si está cansado o bajo la influencia de drogas o medicamentos.


GENERAL SAFETY


DESCONECTE EL APARATO: desconecte el aparato de la fuente de alimentación cuando no esté en uso, antes de realizar el servicio, cuando cambie accesorios, como cuchillas, etc. Manténgala bajo vigilancia constante.


GUARDE LA UNIDAD BAJO TECHO. Cuando no esté en uso, el rotocultivador se deberá guardar en un lugar cerrado y seco, fuera del alcance de los niños.


PRESTE ATENCIÓN AL MANTENIMIENTO DE LA UNIDAD. Consérvela limpia para lograr un óptimo funcionamiento y reducir el riesgo de lesiones. Siga las instrucciones para lubricar y cambiar los accesorios. Inspeccione periódicamente el cable de la unidad, y si está dañado, haga que lo repare un centro de servicio autorizado. Inspeccione el cable de extensión periódicamente y reemplácelo si está dañado. Mantenga los mangos secos, limpios y libres de aceite.

VERIFIQUE LAS PIEZAS DAÑADAS. Antes de seguir usando el producto, se deberán revisar las piezas dañadas en forma exhaustiva para determinar si la herramienta funcionará correctamente y realizará el trabajo previsto. Compruebe la alineación y las uniones de las piezas móviles, el montaje, averías de componentes y otros factores que puedan afectar el funcionamiento. Se debe reparar o reemplazar cualquier pieza dañada en forma adecuada. Para recibir asistencia, comuníquese con nuestra línea de ayuda de atención al cliente al 1-800-313-5111.

 **ADVERTENCIA:** Mantenga las manos alejadas de las cuchillas.


 **DOBLE AISLAMIENTO.** El aparato tiene doble aislamiento. Esto significa que todas las partes metálicas externas están aisladas del suministro eléctrico. Esto se logra mediante la introducción de una capa de aislamiento entre las partes eléctricas y mecánicas. El doble aislamiento le garantiza la mayor seguridad posible.


 **ADVERTENCIA:** para reducir el riesgo de descarga eléctrica, no exponga la unidad al agua ni la opere en un terreno húmedo.

 **ADVERTENCIA:** para reducir el riesgo de lesiones a personas, no lo haga funcionar sin las protecciones en su lugar.

Tenga en cuenta el cable de extensión mientras utiliza el aparato. Tenga cuidado de no tropezar con el cable. Siempre guíe el cable lejos del espada.

PROTECCIÓN CONTRA RECALENTAMIENTO. Si el dethatcher está bloqueado por un objeto extraño o si el motor está sobrecargado, el dispositivo de protección se apagará automáticamente. Espere a que el motor se enfríe (aprox. 15 minutos) antes de volver a iniciar el separador de gases.

 **PRECAUCIÓN:** El artefacto puede rebotar hacia arriba y / o saltar hacia adelante si las púas chocan con tierra extremadamente dura, suelo congelado u obstáculos enterrados, como piedras grandes, raíces o tocones.


 **ADVERTENCIA:** Reemplace el cable dañado inmediatamente.

ILUMINACIÓN. Utilice su electrodoméstico solo a la luz del día o con buena luz artificial.

Para un funcionamiento seguro, no utilice el rotocultivador en pendientes demasiado pronunciadas. Cuando trabaje en pendientes, disminuya la velocidad y asegúrese de tener una buena base de apoyo.


Antes de comenzar el dethatcher, asegúrese de que el espada no esté tocando ningún objeto y que sea libre de moverse.

Siempre sostenga la herramienta con ambas manos. Nunca opere el aparato con una mano.


 **ADVERTENCIA:** No trabaje con el rotocultivador cerca de cables eléctricos, líneas telefónicas, tuberías o mangueras subterráneas.


Si el aparato golpea un cuerpo extraño, apáguelo de inmediato, espere a que se detengan los dientes y verifique si hay daños. Si es necesario, repare antes de reiniciar.


Si el rotocultivador comienza a vibrar de manera inusual, apáguelo de inmediato y revíselo para detectar la causa. Generalmente, la vibración advierte la existencia de un problema.


 **PELIGRO: RIESGO DE CORTES.** Use guantes y tenga cuidado al limpiar o realizar tareas de mantenimiento en el aparato.

Apague siempre el aparato, desconéctelo de la fuente de alimentación y espere hasta que los dientes se detengan por completo antes de realizar cualquier mantenimiento o reparación.

 **PRECAUCIÓN:** Las púas no se detienen de inmediato cuando se apaga el rotocultivador.


 **PRECAUCIÓN:** Riesgo de lesiones. No acerque ninguna parte de su cuerpo, ni prendas de vestir a las púas giratorias.

 **ADVERTENCIA: Proposición 65 de California:** Este producto contiene sustancias químicas al estado de California como causantes de cáncer, defectos de nacimiento u otros problemas reproductivos.

 **ADVERTENCIA:** Parte del polvo y los desechos generados por el uso de esta herramienta contienen químicos reconocidos por el Estado de California como causantes de cáncer, defectos de nacimiento u otros efectos nocivos para el aparato reproductor. Algunos ejemplos de estos productos químicos son:

- químicos presentes en fertilizantes
- compuestos presentes en insecticidas, herbicidas y pesticidas
- arsénico y cromo de maderas tratadas químicamente

El riesgo que usted corre al exponerse a estos químicos varía según la frecuencia con la que realiza este tipo de trabajo. Para reducir la exposición, trabaje en una zona bien ventilada y utilice equipo de protección aprobado, como mascarillas antipolvo especialmente diseñadas para filtrar partículas microscópicas.

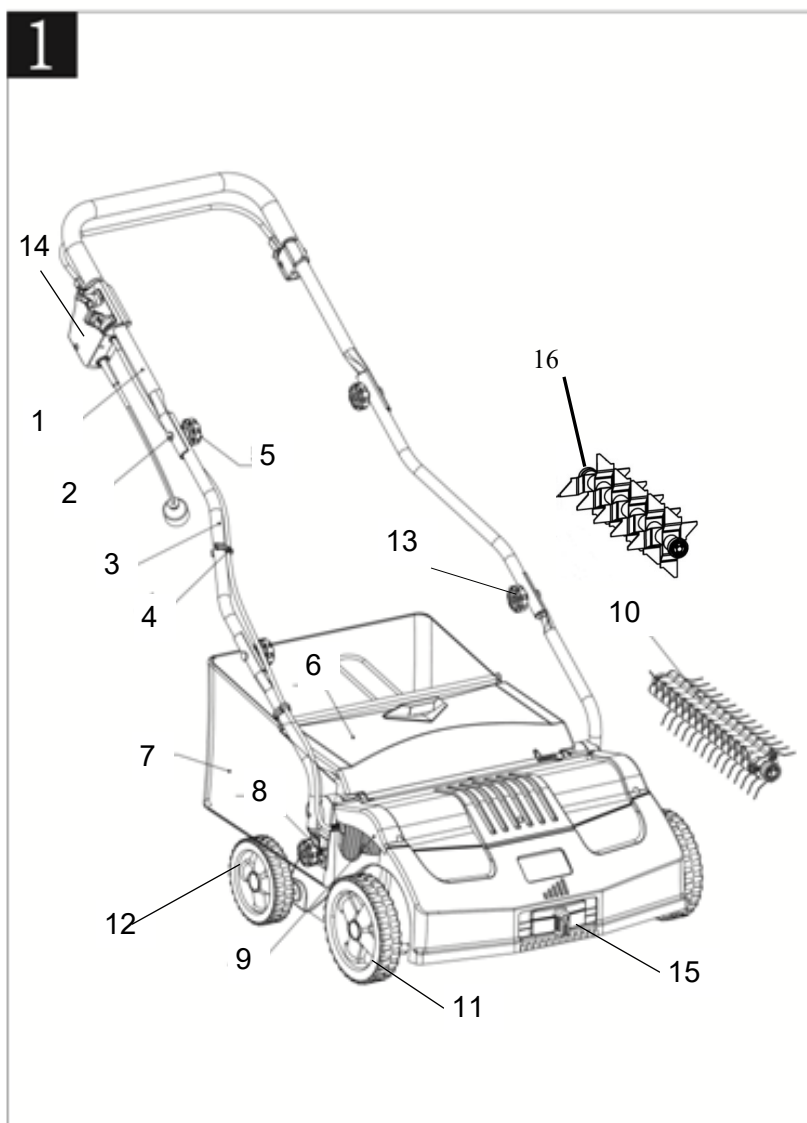
 **ADVERTENCIA:** Cáncer y Daño Reproductivo - www.P65Warnings.ca.gov.

ESPECIFICACIONES DEL PRODUCTO

Modelo: DT71613AA

Voltaje del suministro eléctrico: 120V-60HZ
 Sin velocidad de carga: 3200 RPM
 Consumo de potencia: 13 amperios

Ancho de trabajo: 40 cm (16 pulg.)
 Profundidad máx. de trabajo: -10 mm ~ 10 mm
 Capacidad del colector de hierba: 1.1 bushel



N.º	Descripción	N.º	Descripción
1	Mango superior	9	Carcasa del motor
2	Perno de mango superior	10	Cilindro Raker
3	Manija central	11	Rueda delantera
4	Sujetador de cable	12	Rueda trasera
5	Tuerca estriada superior	13	Tuerca estriada inferior
6	Cubierta de la cubierta trasera	14	Cable de fianza y caja de interruptores
7	Recolector de hierba	15	Palanca de ajuste de profundidad
8	Perilla de bloqueo	16	Escarificador

MONTAJE

Este producto requiere algunas operaciones de montaje.

Extraiga la herramienta y los accesorios de la caja con cuidado. Asegúrese de que estén incluidos todos los elementos detallados en la lista de embalaje.

Inspeccione el producto detenidamente para corroborar que no existan roturas ni averías ocurridas durante el envío.

No deseche el material de embalaje hasta haber inspeccionado exhaustivamente el producto y comprobar que funciona en forma satisfactoria.

LISTA DE EMBALAJE

- Dethatcher
- Mango superior
- Mango central
- Recolector de hierba
- Bolsa de hardware
- Escarificador
- El manual del propietario

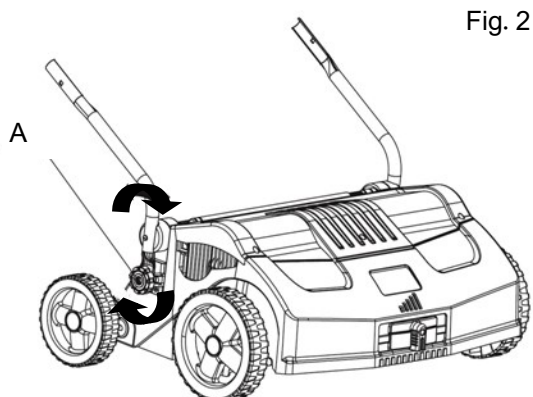
ADVERTENCIA: Si alguna pieza falta o está dañada, no utilice este producto hasta reponer la pieza en cuestión. De lo contrario, podría sufrir lesiones personales de gravedad. Comuníquese con nuestra línea de ayuda de atención al cliente al 1-800-633-1501 para recibir asistencia.

ADVERTENCIA: No conecte la herramienta al suministro eléctrico hasta finalizar el montaje. De lo contrario, la máquina podría arrancar accidentalmente y provocar lesiones personales de gravedad.

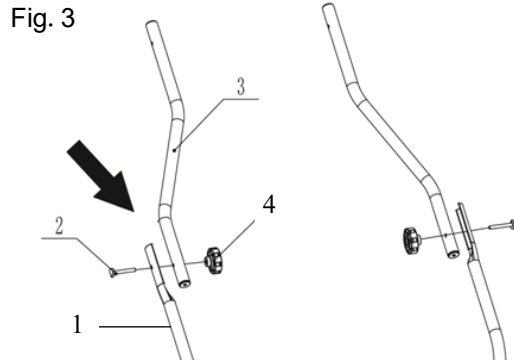
ADVERTENCIA: No intente modificar la unidad ni elaborar accesorios no recomendados para usar con este producto. Dicha clase de alteración o modificación constituye un uso inadecuado de la herramienta y podría generar situaciones de riesgo y provocar lesiones personales de gravedad.

ASAMBLA DE MANIJAS

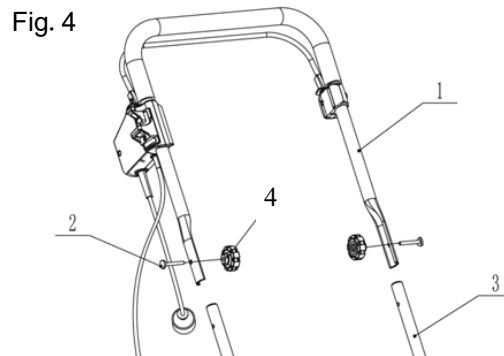
- Levante la manija inferior girando la perilla de bloqueo (A) en sentido horario para apretar. (Figura 2)



- Alinee los orificios en las manijas inferiores (1) y centrales (3). Enrosque el perno de la manija (2) en el orificio y asegure las manijas con una tuerca estriada (4).
- Repita en el lado opuesto. (Fig. 3)

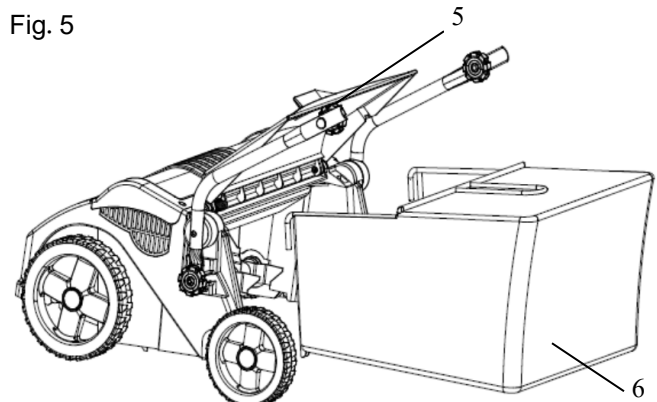


- Instale la manija superior (1) en las manijas centrales ensambladas (3).
- Alinee los agujeros en la manija superior con los agujeros en las manijas centrales. Asegure las manijas con pernos (2) y tuercas estriadas (4). (Fig. 4)



CONJUNTO DE CAPTADOR DE HIERBA

- Levante la cubierta posterior de la plataforma (5) y fije el colector de césped (6) con ganchos (7) en las ranuras de la carcasa del motor. (Fig. 5)



FUNCIONAMIENTO

ENCENDIDO:

Antes de encender el rotocultivador, cercirese de que el bastidor de las ruedas est levantado. Para levantarlo, tire del pasador de bloqueo (Paso A), gire hacia arriba el bastidor de las ruedas, pasando por encima del botn de bloqueo que se encuentra en la parte trasera de la caja del motor (Paso B), y suelte el pasador de bloqueo. El botn de bloqueo trabar el bastidor de las ruedas en su lugar. (Ver Fig. 6)

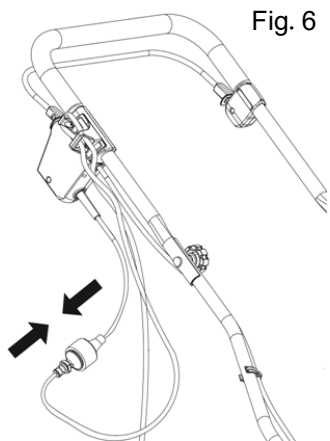


Fig. 6

Mueva el dethatcher al rea de trabajo antes de arrancar el motor.

ADVERTENCIA: No comience el dethatcher si est parado en una hierba larga o tierra slida.

Para comenzar

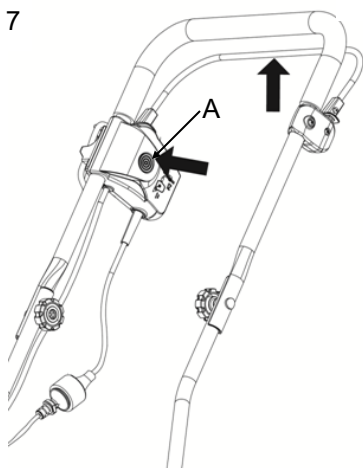
Para iniciar el separador, mantenga presionado el botn de bloqueo de seguridad (A) en la caja del interruptor mientras tira del cable de seguridad (B) hacia arriba y hacia el mango. El motor arrancar y el rastrillo comenzar a girar. (Ver Fig. 7)

Para detener el dethatcher, simplemente suelte el cable de la fianza.

Antes de usar, retire las piedras visibles u otros cuerpos extraos del rea.

PRECAUCIN: antes de mover el separador de un rea a otra apague el motor y espere a que el rastrillo se detenga por completo. Tenga cuidado de no dejar que el rastrillo toque el suelo mientras mueve el dethatcher. El rastrillo y la unidad en s pueden daarse incluso si el motor est apagado.

Fig. 7



FUNCIN RASTRILLO

Con el cilindro rastrillo, este aparato se puede usar como rastrillo para eliminar las malas hierbas y el musgo del csped, as como los restos de hojas.

Para desarrollar un csped saludable en la primavera, es necesario que grandes cantidades de aire penetren en el rea alrededor de las races de la hierba. Recomendamos rastrillar el csped dos veces al ao, p. en la primavera y en el otoo.

Para lograr un buen resultado y aumentar la vida til del cilindro del rastrillo, corte el csped a una altura ms corta (menos de 4 cm) antes de comenzar.

CAMBIAR EN FUNCIN ESCARIFICADOR

Esta picadora se puede utilizar en funcin de escarificador segn sea necesario.

Para comenzar con el escarificador (A), retire el rastrillo (B) de la unidad aflojando dos tornillos (C) en sentido antihorario. Y squelo directamente del soporte de montaje. Entonces reemplzalo con un escarificador insertando el lado derecho del escarificador en el poste como sobresaliendo de la carcasa y alinee el otro lado de el escarificador con los agujeros en el soporte y asegrelos con dos tornillos (C) girndolos en el sentido de las agujas del reloj.

Asegrese de que el escarificador est correctamente asegurado en la unidad antes a partir de. (Figura 8)

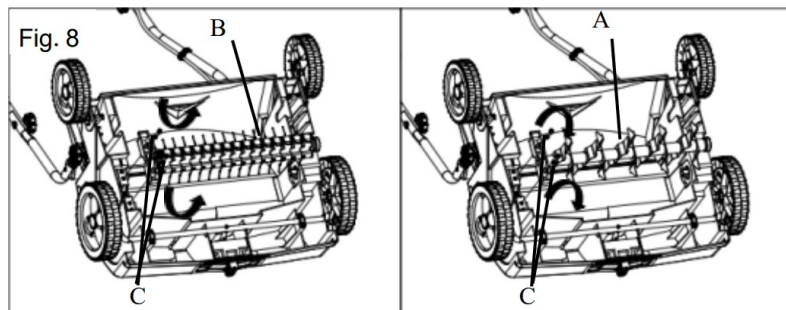


Fig. 8

ESTABLECER PROFUNDIDAD DE TRABAJO

Este dethatcher se puede establecer en 5 posiciones de profundidad de rastrillado. Deslice la palanca de ajuste de profundidad hacia la izquierda o hacia la derecha para controlar a profundidad de trabajo de la siguiente manera:

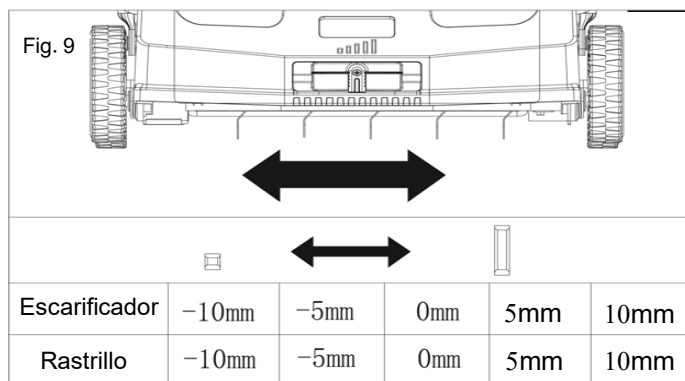


Fig. 9

Seleccione la profundidad de trabajo según el estado del césped y la altura real del césped.

Incline el dethatcher hacia atrás ligeramente para que ambas ruedas delanteras estén fuera del suelo. Encienda el dethatcher, el cilindro raker comienza a girar libremente.

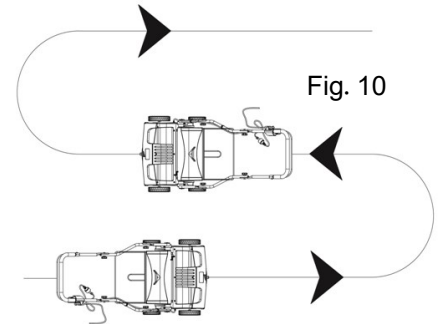
Siempre guíe el dethatcher a una velocidad uniforme dependiendo del tipo de terreno. Permanecer en un lugar durante demasiado tiempo puede dañar el césped, si el suelo está húmedo o demasiado seco.

Para evitar tropiezos, tenga especial cuidado al moverse hacia atrás y al tirar del separador.

Nunca pase el dethatcher sobre el cable de extensión mientras está funcionando;

asegúrese de que siempre esté en una posición segura detrás de su espalda. (Fig. 10). Cuando trabaje en pendientes, párese siempre en diagonal a la inclinación en una posición firme y segura. No trabaje en pendientes extremadamente empinadas.

Vacíe la caja de césped cuando esté llena para evitar que la cuchilla se obstruya y el motor se sobrecargue.



MANTENIMIENTO

ADVERTENCIA: Antes de realizar tareas de mantenimiento, desconecte el suministro eléctrico. Si no se toma en cuenta esta advertencia, se pueden producir lesiones personales graves.

Antes de cada uso, revise el cable de extensión en busca de signos de daño o envejecimiento. Reemplace el cable si está agrietado, partido o dañado. Verifique el estado del separador y asegúrese de que todas las conexiones roscadas estén bien apretadas.

PRECAUCIÓN: Limpie siempre el separador después de cada uso. Si no se realiza la limpieza adecuada, se puede dañar el separador o un rendimiento deficiente.

Después de cada uso, retire la bolsa de recolección. Vacíe y limpie la bolsa después de cada uso.

Siempre almacene esta unidad en una superficie estable y bloquee las ruedas para evitar que ruede. Incline el aparato hacia adelante.

Limpie la parte inferior de la carcasa alrededor de las cuchillas y la aleta de seguridad con un cepillo para fregar o un trapo. ¡Nunca salpique con agua!

Vuelva a colocar el aparato sobre sus ruedas, limpie el ventilador y cualquier hierba o tierra restante.

Reemplace las piezas desgastadas o dañadas con piezas de repuesto originales solamente. Las piezas de otro separador pueden no ajustarse adecuadamente y causar una situación insegura.

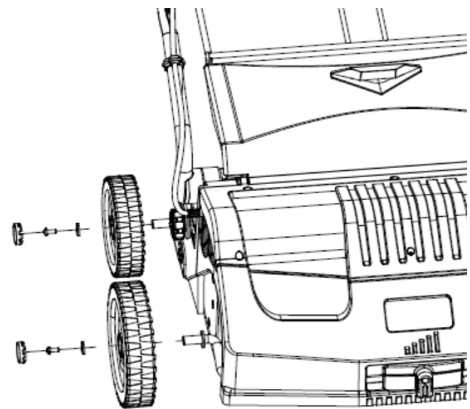
Asegúrese de que todos los dispositivos de protección estén seguros y en buenas condiciones. Repare o reemplace si es necesario.

ADVERTENCIA: Se pueden producir lesiones mientras se trabaja en el espada. Use guantes protectores.

Desmontaje e instalación de ruedas (Fig. 11)

Para quitar las ruedas delanteras y traseras de los ejes, saque las tapas de las ruedas, retire los pernos de cabeza hexagonal M5 X 12 y las juntas tóricas de los ejes. Retire las ruedas del eje. Invierta los pasos anteriores para instalar las ruedas.

Fig. 11



ALMACENAMIENTO

Guarde el Dethatcher en un área limpia y seca fuera del alcance de los niños.

Durante períodos prolongados de almacenamiento, asegúrese de que el separador esté protegido contra la corrosión y el óxido.

Al final de la temporada, o si el separador no se usa por más de un mes, limpie todas las superficies metálicas con un paño impregnado de aceite para protegerlas de la corrosión o rocíelas con una fina capa de aceite. Doble la manija superior hacia abajo y almacene el dethatcher en un lugar adecuado.

DETECCIÓN Y SOLUCIÓN DE PROBLEMAS

Problema	Posibles causas	Solución
El motor no arranca	<p>La unidad no está enchufada</p> <p>No hay electricidad</p> <p>Cable defectuoso</p> <p>Interruptor de seguridad o enchufe defectuosos</p> <p>Protección contra recalentamiento activada</p>	<p>Enchufe la unidad.</p> <p>Revise el suministro eléctrico.</p> <p>Revise el cable. Repare o reemplácelo, si fuera necesario.</p> <p>Disponga su reparación.</p> <p>1. La profundidad de trabajo es demasiado grande, determine una profundidad menor. 2. Cilindro rascador bloqueado, elimine el bloqueo. 3. Césped demasiado largo, corte el césped antes de la operación. Espere unos 15 minutos hasta que el motor se enfríe antes de volver a usar la herramienta.</p>
Ruidos extraños	<p>El cilindro del rastrillo está atascado</p> <p>Deslizamiento de la correa dentada</p> <p>Pernos, tuercas u otros componentes flojos</p>	<p>Apagar. Espere hasta que el raker se detenga por completo. Retire los objetos atascados.</p> <p>Dethatcher debe ser reparado. Llame a nuestra línea de ayuda de servicio al cliente al 1-800-633-1501 para asistencia.</p> <p>Ajuste bien todos los componentes. Disponga la reparación si persisten los ruidos.</p>
Vibraciones inusuales	<p>Rastrillo o escarificador dañado o desgastado</p> <p>La profundidad de trabajo es demasiado grande</p>	<p>Reemplace el rastrillo o escarificador dañado o desgastado.</p> <p>Fije a la profundidad de trabajo correcta.</p>
Resultados no deseados	<p>La profundidad de trabajo es demasiado reducida</p> <p>Rastrillo o escarificador gastado</p> <p>Apertura de descarga bloqueada</p>	<p>Fije a la profundidad de trabajo correcta.</p> <p>Reemplace el rastrillo o escarificador dañado o desgastado.</p> <p>Vacíe la bolsa recolectora de hierba y elimine el bloqueo.</p>

¡LLÁMENOS PRIMERO!

Llámenos primero con preguntas sobre cómo operar o mantener su dethatcher al 1-800-633-1501 entre las 8:00 a.m. y las 5:00 p.m. Hora estándar del este, u obtenga asistencia en www.americanlawnmower.com.

PIEZAS Y SERVICIO

Para solicitar repuestos o servicio técnico, llame al 1-800-633-1501 o visite nuestra página web www.americanlawnmower.com. Asegúrese de proporcionar toda la información relevante cuando nos llame o visite.

REPUESTOS (KITS / ARTÍCULOS)

El número de modelo/ de serie de esta herramienta se encuentra en una placa o etiqueta adjunta a la caja. Registre el número de serie en el espacio provisto a continuación.

MODELO N.º DT71613AA

NÚMERO DE SERIE _____

Mencione siempre el serial del modelo cuando ordene kits para el mismo.

N.º	Número de kit/ Número de artículo	Descripción	Cantidad
1	DT-WK-1	Kit de rueda delantera	1
2	DT-WK-2	Kit de rueda trasera	1
3	DT-LHK-1	Kit de manija inferior	1
4	DT-UHK-1	Kit de manija superior	1
5	DT-HK-1	Kit de hardware	1
6	DT-TK-1	Rastro	1
7	DT-TK-2	Escarificador	1
8	DT-GC-1	DT Catcher	1

¡LLÁMENOS PRIMERO!

Si tiene preguntas sobre el funcionamiento o el mantenimiento de su dethatcher al 1-800-633-1501, de 8:00 a 17:00, hora estándar del este, o obtener asistencia en www.americanlawnmower.com.



MANUAL DEL OPERARIO

Dethatcher eléctrico 13A

Copyright. Todos los derechos reservados.

POLÍTICA DE GARANTÍA

Dos (2) años de garantía limitada Earthwise para equipos eléctricos al aire libre.

Earthwise garantiza al propietario original que cada producto nuevo y pieza de repuesto está libre de defectos en el material y la mano de obra, y acepta reparar o reemplazar cualquier producto o pieza defectuosa durante el periodo de garantía según lo establecido anteriormente a partir de la fecha de compra original excepto en las condiciones y circunstancias que se indican a continuación:

La garantía se aplica solo al comprador original al menudeo y no puede transferirse.

La garantía se aplica si el producto está destinado para uso personal, doméstico o familiar. La garantía queda anulada si el producto se usa con fines comerciales, industriales o de alquiler.

La garantía no incluye reparaciones necesarias debido a abuso o negligencia por parte del operador (incluida la sobrecarga del producto que supere la capacidad o inmersión en el agua), o un error al montar, operar, mantener o almacenar el producto de acuerdo con las instrucciones del manual del operador.

Esta garantía no es transferible y solo se aplica a productos vendidos directamente por un distribuidor minorista autorizado.

Esta garantía no se aplica a cualquier producto, nuevo o usado, adquirido a través de canales de terceros no autorizados.

CUALQUIER PÉRDIDA ACCIDENTAL, INDIRECTA O RESULTANTE, DAÑO O GASTO QUE PUEDA DERIVAR DE CUALQUIER DEFECTO, FALLA O MALFUNCIONAMIENTO DEL PRODUCTO NO ESTÁ CUBIERTO POR LA GARANTÍA. En algunos estados no se permite la exclusión o limitación sobre la duración de las garantías implícitas, en cuyo caso la limitación anterior no podría aplicarse.

Los productos que se venden dañados o incompletos, que se venden "tal como están" o reacondicionados no están cubiertos por esta garantía.

Los daños o inconvenientes causados por envío, manipulación inadecuada, montaje incorrecto, voltaje o cableado incorrecto, mantenimiento deficiente, modificaciones inadecuadas o el uso de accesorios o dispositivos de sujeción no recomendados específicamente no están cubiertos por esta garantía.

Elementos consumibles que se desgastan con el uso normal cubierto por la garantía.

La garantía no cubre los daños causados por el frío, el calor, la lluvia, la humedad excesiva, ambientes y materiales corrosivos u otros contaminantes.

La garantía no incluye instalación, montaje o ajustes normales tal como se explican en el manual del operador.

Los gastos de entrega del producto al proveedor y los gastos de devolución del producto o las piezas de repuesto al propietario no están cubiertos por esta garantía.

La garantía no cubre el deterioro normal del acabado exterior, que incluye pero no se limita a rayones, abolladuras, cascarillas de pintura o cualquier corrosión o decoloración ocasionada por el calor, limpiadores abrasivos o químicos.

Todos los reclamos de garantía deben estar acompañados por el comprobante de compra, el recibo de compra original con fecha.



American Lawn Mower Company
The Great States Corporation
7444 Shadeland Station Way
Indianapolis, IN 46256
Estados Unidos
Teléfono 1-800-633-1501
www.americanlawnmower.com



MANUEL DE L'UTILISATEUR Déchaumeuse électrique 13A

Copyright. Tous droits réservés.

Modèle DT71613AA



Ce produit a été conçu et fabriqué selon notre norme élevée de fiabilité, de facilité d'utilisation et de sécurité de l'utilisateur. Correctement entretenu, il vous procurera des années de service intensif et sans soucis.



AVERTISSEMENT : Afin d'éviter de se blesser, l'utilisateur doit lire et comprendre le manuel de l'utilisateur avant d'utiliser ce produit.

Merci pour votre achat.

NE RENVOYEZ PAS CE PRODUIT AU MAGASIN. AVEZ-VOUS DES QUESTIONS CONCERNANT LE FONCTIONNEMENT, L'ASSEMBLAGE, LES PIÈCES OU LA RÉPARATION DU PRODUIT? ALLEZ SUR WWW.AMERICANLAWNMOWER.COM, OU COMPOSEZ LE 1-800-633-1501 ENTRE 08 h 00 et 17 h 00, HEURE NORMALE DE L'EST, POUR TOUTE ASSISTANCE.

CONSERVEZ CE MANUEL POUR POUVOIR LE CONSULTER ULTÉRIEUREMENT

SYMBOLES

Certains des symboles suivants peuvent apparaître sur ce produit. Examinez-les et apprenez leur signification. Une interprétation correcte des symboles vous permettra d'utiliser ce produit plus efficacement et en meilleure sécurité.



Précautions concernant votre sécurité.



ATTENTION! Lisez le manuel de l'utilisateur, et respectez les notices d'avertissement et les consignes de sécurité.



ATTENTION! Débranchez immédiatement l'appareil si le câble est endommagé ou usé.



ÉTEINDRE LA MACHINE! Attendez qu'elle soit complètement arrêtée et débranchez la fiche du secteur avant tout entretien, nettoyage ou réparation!



ATTENTION! Portez toujours une protection oculaire et auditive.



Portez des chaussures couvertes solides, à semelles antidérapantes.



DANGER! Des objets peuvent être projetés à de grande vitesse lorsque le moteur est en route. Ne pas marcher devant la machine en marche.



Gardez les personnes alentour à une distance de sécurité.



Tenez le cordon électrique éloigné de la vis sans fin. Celle-ci risque d'endommager le cordon et de provoquer un contact avec des pièces énergisées.



DANGER! Lames rotatives. Gardez les mains et les pièces à une distance sûre.



Ne mettez pas la main dans la vis sans fin.



Ne mettez pas la main devant le déflecteur de la goulotte.



N'exposez pas le produit à la pluie ou l'humidité.



DANGER! Risque de décharge électrique.



N'utilisez pas cette machine sous la pluie. N'utilisez pas cette machine pendant les orages électriques.



Les équipements électriques usagés ne doivent pas être éliminés avec les ordures ménagères. Recyclez l'appareil lorsque des installations à cet effet existent. Pour obtenir des conseils de recyclage, renseignez-vous auprès des autorités locales ou de votre vendeur.



AVERTISSEMENTS IMPORTANTS DE SÉCURITÉ



POUR RÉDUIRE LE RISQUE DE BLESSURE : Avant toute utilisation, assurez-vous que toute personne utilisant ce produit a lu et compris toutes les consignes de sécurité et les autres renseignements contenus dans ce manuel.



ATTENTION : Portez des protections appropriées pour les oreilles pendant l'utilisation. Dans certaines conditions et durées d'utilisation, le bruit émis par ce produit peut contribuer à une perte auditive.



Conservez ces instructions et relisez-les souvent avant d'utiliser le produit et pour instruire d'autres personnes quant à son utilisation.

AVERTISSEMENT : Lors de l'utilisation d'outils électriques de jardinage, les consignes de sécurité de base doivent toujours être suivies afin d'éviter les incendies, décharges électriques et blessures, notamment :

LIRE TOUTES LES INSTRUCTIONS

SÉCURITÉ GÉNÉRALE

PIÈCES DE REMPLACEMENT

Lors de l'entretien, utilisez uniquement des pièces de rechange identiques.

FICHES POLARISÉES – Afin de réduire le risque de décharge électrique, cet équipement comporte une prise polarisée. Les connexions polarisées ne peuvent être effectuées que dans un sens. Assurez-vous que la prise femelle de la rallonge comporte des emplacements pour une fiche large et une fiche étroite. Si la prise ne s'adapte pas entièrement dans la rallonge, inversez la prise. Si elle ne s'adapte toujours pas, obtenez une rallonge appropriée. Si la rallonge ne s'adapte pas entièrement dans la prise murale, contactez un électricien qualifié pour installer la prise correcte. Ne changez en aucun cas la prise de l'outil ou de la rallonge.

ÉVITER LES ENVIRONNEMENTS DANGEREUX – N'utilisez pas ce produit sous la pluie, lors d'une tempête, ou dans des endroits humides ou mouillés. N'utilisez pas dans des atmosphères gazeuses ou explosives. Les moteurs de ces produits émettent normalement des étincelles, qui pourraient enflammer les vapeurs. Ne pas utiliser sous la pluie.

GARDER HORS DE PORTÉE DES ENFANTS – Tous les visiteurs, enfants et animaux domestiques doivent rester au-delà d'un périmètre de sécurité de la zone de travail.

S'HABILLER DE FAÇON APPROPRIÉE – Ne portez pas de vêtements amples ou de bijoux et utilisez une protection pour les cheveux longs le cas échéant.

Ceux-ci peuvent être happés par des pièces mobiles. L'utilisation de gants en caoutchouc et de chaussures robustes est recommandée pour les travaux à l'extérieur.

PORTER DES LUNETTES DE SÉCURITÉ – Lors de l'utilisation de ce produit, portez des lunettes de sécurité avec des écrans latéraux affichant une marque de conformité à la norme ANSI Z87.1. Portez un masque facial ou anti-poussière si l'environnement est poussiéreux.

UTILISER LE BON OUTIL – N'utilisez pas ce produit pour une tâche pour laquelle il n'a pas été conçu.

Une protection par **DISJONCTEUR DE FUITE DE TERRE (GFCI)** doit être présente sur le ou les circuits ou prises à utiliser pour le cultivateur. Des prises avec une protection GFCI intégrée sont disponibles et peuvent être utilisées.



AVERTISSEMENT : Pour réduire le risque d'électrocution, utilisez uniquement une rallonge destinée à une utilisation en extérieur, telle qu'une rallonge de type SW-A, SOW-A, STW-A, STOW-A, SJW-A, SJOW-A, SJWTW-A, ou SJTOW-A.

RALLONGE – Assurez-vous que la rallonge est en bon état. Lors de l'utilisation d'une rallonge, assurez-vous qu'elle est d'un calibre suffisant pour transmettre le courant appelé par le produit. Une rallonge de calibre insuffisant provoquera une baisse de tension qui entraînera une perte de puissance et une surchauffe. Le tableau suivant montre le calibre correct à utiliser en fonction de la longueur du câble et de l'intensité nominale de la plaque signalétique. En cas de doute, utilisez le calibre immédiatement supérieur. Plus le numéro de calibre est bas, plus le câble est lourd.

Calibre minimum pour les ensembles de câbles						
Volts	Longueur totale du câble en pieds					
120V	0-25	26-50	51-100	101-150		
Intensité nominale		Calibre américain (AWG)				
Supérieure à	Inférieure à					
0	- 6	18	16	16	14	
6	- 10	18	16	14	12	
10	- 12	16	16	14	12	
12	- 16	14	12	Non recommandé		

Il est possible de nouer la rallonge et le câble d'alimentation afin de les empêcher de se déconnecter pendant l'utilisation. Effectuez le nœud comme illustré, branchez ensuite la prise du câble d'alimentation dans l'extrémité femelle de la rallonge. Cette méthode peut également être utilisée pour raccorder deux rallonges ensemble.



Utilisez l'une des sangles de retenue ou une connecteurs décrits dans ce manuel.

Évitez tout démarrage involontaire - Ne transportez pas votre appareil branché avec le doigt sur l'interrupteur. Assurez-vous que l'interrupteur est éteint lorsque vous branchez.

NE PAS TIRER SUR LE CÂBLE D'ALIMENTATION – Ne portez jamais ce produit par le câble d'alimentation et ne tirez jamais celui-ci pour le débrancher. Maintenez le câble à l'écart de la chaleur, de l'huile et des bords tranchants.

NE FORCEZ PAS L'APPAREIL - Il fera le travail mieux et avec moins de risque de blessure au rythme pour lequel il a été conçu.

NE PAS DÉPASSER LES LIMITES DE L'APPAREIL – Guidez le cultivateur/la griffe uniquement à une vitesse normale de marche. Gardez en tout temps une assise correcte et un bon équilibre.

RESTER VIGILANT – Regardez ce que vous faites. Faites preuve de bon sens. N'utilisez pas le cultivateur/la griffe si vous êtes fatigué ou sous l'influence de médicaments, de drogues ou d'alcool.


GENERAL SAFETY


DÉBRANCHEZ L'APPAREIL - Débranchez l'appareil du secteur lorsqu'il n'est pas utilisé, avant de procéder à un entretien, lors du changement d'accessoires tels que des lames, etc. Ne le laissez pas sans surveillance.


RANGER L'APPAREIL À L'INTÉRIEUR – Lorsqu'il n'est pas utilisé, le cultivateur/la griffe doit être rangé à l'intérieur dans un endroit sec et hors de portée des enfants.

ENTREtenir L'APPAREIL AVEC SOIN – Maintenez-le propre pour assurer un rendement optimal et réduire le risque de blessure. Suivez les instructions pour lubrifier et changer les accessoires. Inspectez régulièrement le cordon de l'appareil et, s'il est endommagé, faites-le réparer par un centre de service autorisé. Inspectez régulièrement la rallonge et remplacez-la si elle est endommagée. Maintenez les guidons secs, propres et exempts d'huile.

VÉRIFIER LES PIÈCES ENDOMMAGÉES – Avant de poursuivre l'utilisation du cultivateur, toute pièce endommagée doit être vérifiée avec précaution afin de déterminer qu'elle fonctionnera correctement et remplira sa fonction prévue. Vérifiez l'alignement des pièces mobiles, si ces dernières sont coincées, si certaines pièces sont brisées, la qualité du montage et toute autre condition pouvant affecter le fonctionnement de l'outil. Toute pièce endommagée doit être correctement réparée ou remplacée. Appelez notre service clientèle au 1-800-633-1501 pour obtenir de l'assistance.

 **AVERTISSEMENT:** Gardez les mains éloignées des lames.


 **DOUBLE ISOLATION** – L'appareil a une double isolation. Cela signifie que toutes les pièces métalliques externes sont isolées de l'alimentation électrique. Ceci est réalisé en introduisant une couche d'isolation entre les pièces électriques et mécaniques. La double isolation vous garantit la plus grande sécurité possible.


 **AVERTISSEMENT** - Pour diminuer les risques de choc électrique, ne pas mouiller l'appareil ni l'utiliser sur un sol humide.

 **AVERTISSEMENT** - Pour réduire les risques de blessures, ne pas utiliser sans les protecteurs.

Soyez conscient de la rallonge lorsque vous utilisez l'appareil. Faites attention de ne pas trébucher sur le cordon. Guidez toujours le cordon loin du lame.

PROTECTION CONTRE LA SURCHAUFFE - Si la déchaumeuse est bloquée par un corps étranger ou si le moteur est surchargé, le moteur s'arrête automatiquement par le dispositif de protection. Attendez que le moteur refroidisse (environ 15 minutes) avant de redémarrer le déchaumeur.

 **ATTENTION** : L'appareil peut rebondir vers le haut et / ou sauter vers l'avant si les dents heurtent un sol extrêmement dur, un sol gelé ou des obstacles enfouis tels que de grosses pierres, des racines ou des souches.


 **AVERTISSEMENT:** Remplacez immédiatement le cordon endommagé.

ÉCLAIRAGE – N'utilisez votre appareil qu'à la lumière du jour ou sous une bonne lumière artificielle.

N'utilisez pas le déchaumeur sur une pente trop raide pour un fonctionnement en toute sécurité. En pente, ralentissez et assurez-vous d'avoir une bonne assise.


Avant de démarrer la déchaumeuse, assurez-vous que la lame ne touche aucun objet et qu'il est libre de bouger.

Tenez toujours l'outil des deux mains. Ne faites jamais fonctionner l'appareil d'une seule main.


 **AVERTISSEMENT** : N'utilisez pas le cultivateur/la griffe à proximité de câbles électriques, de lignes téléphoniques, de tuyaux ou de boyaux enfouis.


Si l'appareil heurte un corps étranger, éteignez-le immédiatement, attendez que les dents s'arrêtent et vérifiez les dommages. Si nécessaire, réparez avant de redémarrer.


Si le cultivateur/la griffe commence à vibrer de façon anormale, arrêtez-le immédiatement et recherchez la cause du problème. Des vibrations signalent généralement un problème.


 **DANGER : RISQUE DE COUPURES** – Portez des gants et soyez prudent lors du nettoyage ou de l'entretien de l'appareil.

Éteignez toujours l'appareil, débranchez-le de l'alimentation électrique et attendez que les dents s'arrêtent complètement avant d'effectuer toute maintenance ou réparation.

 **ATTENTION** : Les dents ne s'arrêtent pas immédiatement de tourner après l'arrêt du cultivateur/de la griffe.

 **ATTENTION** : Risque de blessures. N'approchez pas les mains, les pieds, toute partie du corps ou les vêtements des dents en rotation.

 **AVERTISSEMENT : Proposition 65 de la Californie** : Ce produit contient des agents chimiques connus dans l'État de la Californie pour causer le cancer et des malformations congénitales ou autres appareil reproducteur.

 **AVERTISSEMENT** : L'État de Californie considère que les poussières et débris créés par l'utilisation de cet outil sont susceptibles de contenir un ou plusieurs produits chimiques cancérigènes à l'origine de malformations congénitales ou d'autres troubles de l'appareil reproducteur. Parmi ces produits chimiques, citons :

- les produits chimiques contenus dans les engrais
- les composés d'insecticides, d'herbicides et de pesticides
- l'arsenic et le chrome du bois traité chimiquement

Votre risque d'exposition à ces produits chimiques varie en fonction de la fréquence d'exécution de ce type de travail. Afin de réduire l'exposition à ces produits chimiques, travaillez dans un endroit bien aéré et portez un équipement de sécurité homologué, comme un masque anti-poussière spécialement conçu pour filtrer les particules microscopiques.

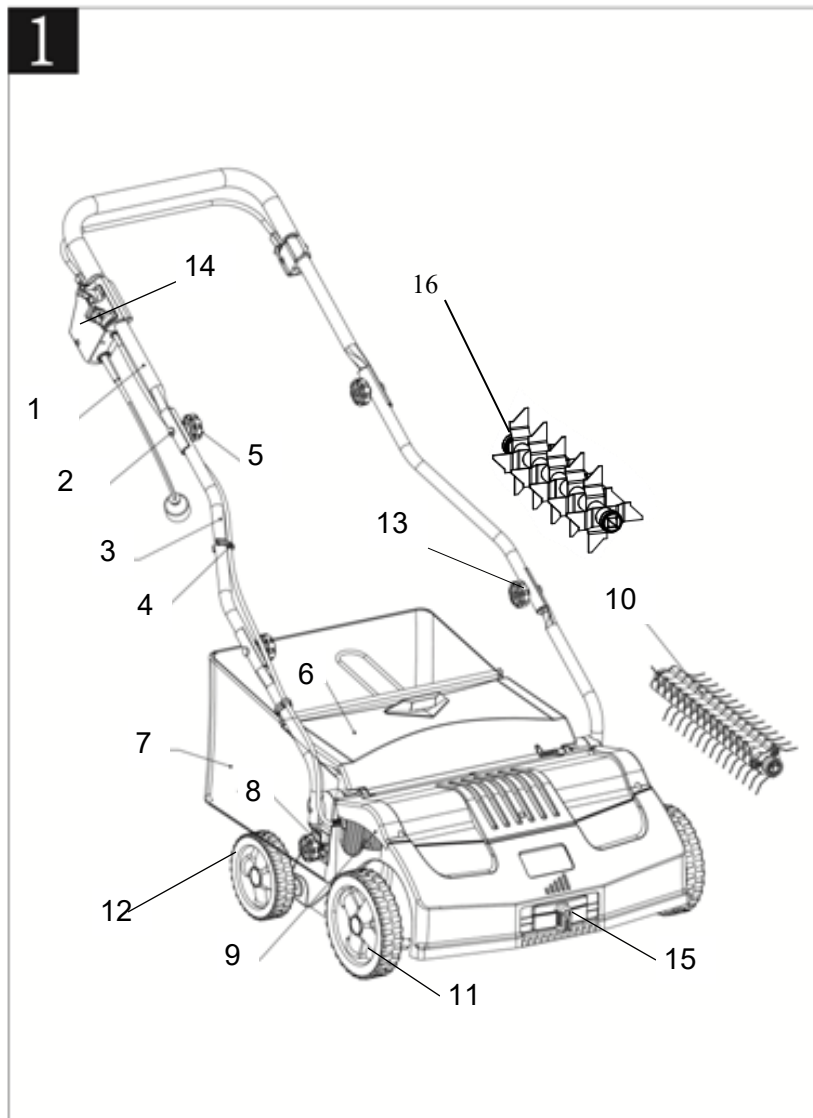
 **AVERTISSEMENT** : Cancer ET Troubles de l'appareil reproducteur - www.P65Warnings.ca.gov.

SPÉCIFICATIONS DU PRODUIT

Modèle : DT71613AA

Tension d'alimentation : 120 V – 60 HZ
 Vitesse des peignes: 3200 tr/m
 Consommation : 13 A

Largeur du sillon : 40 cm (16 po)
 Profondeur maximale de labour : -10 mm ~ 10 mm
 Capacité du collecteur d'herbe: 1,1 boisseau



N°	Description	N°	Description
1	Section supérieure du guidon	9	Boîtier moteur
2	Boulon de poignée supérieure	10	Cylindre Raker
3	Poignée centrale	11	Roue avant
4	Attache de câble	12	Roue arrière
5	Écrou cannelé supérieur	13	Écrou cannelé inférieur
6	Housse de pont arrière	14	Fil de caution et boîte de commutation
7	Capteur d'herbe	15	Levier de réglage de la profondeur
8	Bouton de verrouillage	16	Scarificateur

ASSEMBLAGE

Ce produit requiert un assemblage.

Enlevez avec précaution le produit et les accessoires du carton. Assurez-vous que tous les éléments figurant dans la liste du contenu sont inclus.

Inspectez soigneusement le produit pour vous assurer que rien n'a été cassé ou endommagé pendant le transport.

Ne jetez pas le matériau d'emballage tant que vous n'avez pas soigneusement inspecté et utilisé le produit de façon satisfaisante.

LISTE DU CONTENU

- Déchaumeur
- Section supérieure du guidon
- Section centrale du guidon
- Capteur d'herbe
- Sac de matériel
- Scarificateur
- Manuel d'instructions

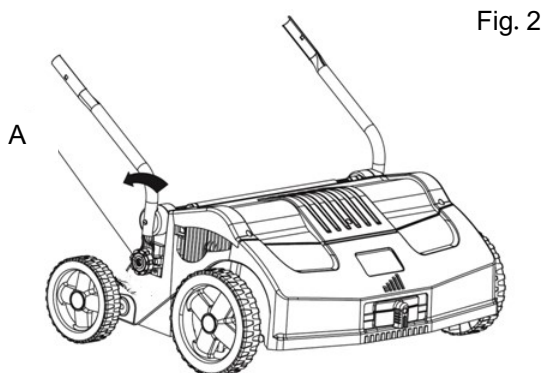
AVERTISSEMENT : Si des pièces sont endommagées ou manquantes, n'utilisez pas ce produit tant qu'elles ne sont pas remplacées. Le non-respect de cette consigne peut entraîner des blessures graves. Appelez notre service clientèle au 1-800-633-1501 pour obtenir de l'assistance.

AVERTISSEMENT : Ne branchez pas l'alimentation tant que l'assemblage n'est pas terminé. Le non-respect de cette consigne peut entraîner un démarrage accidentel pouvant causer des blessures graves.

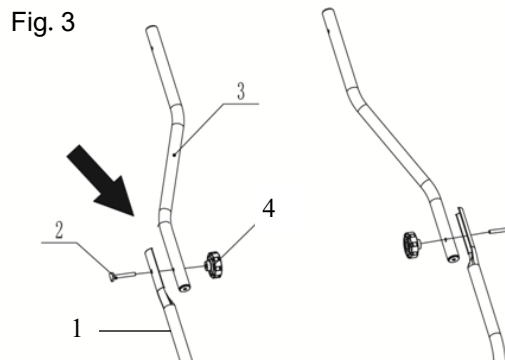
AVERTISSEMENT : Ne tentez pas de modifier ce produit ou de créer des accessoires non recommandés pour ce produit. Toute altération ou modification de ce type constitue une utilisation abusive et peut provoquer une condition dangereuse entraînant des blessures graves possibles.

ASSEMBLAGE DES POIGNÉES

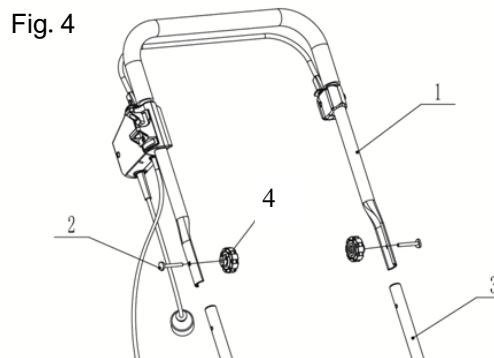
- Soulevez la poignée inférieure en tournant le bouton de verrouillage (A) dans le sens des aiguilles d'une montre pour serrer. (Fig.2)



- Alignez les trous des poignées inférieure (1) et centrale (3). Vissez le boulon de poignée (2) dans le trou et fixez les poignées avec un écrou cannelé (4).
- Répétez de l'autre côté. (Fig.3)

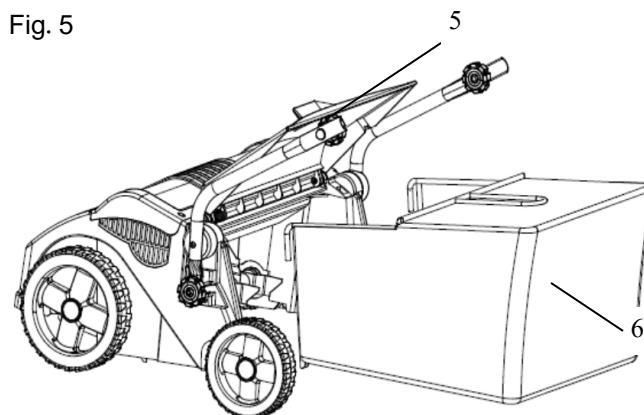


- Installez la poignée supérieure (1) sur les poignées centrales assemblées (3).
- Alignez les trous de la poignée supérieure avec les trous des poignées centrales. Fixez les poignées avec des boulons (2) et des écrous cannelés (4). (Fig.4)



ENSEMBLE DE RÉCEPTEUR D'HERBE

- Soulevez le couvercle du pont arrière (5) et fixez le bac à herbe (6) avec crochets (7) sur les fentes du carter du moteur. (Fig.5)



UTILISATION

DÉMARRAGE :

Assurez-vous que le châssis de roue est suffisamment relevé pour permettre le démarrage du cultivateur/de la griffe. Pour soulever le châssis, tirez la goupille de verrouillage (Étape A), faites tourner le châssis de roue vers le haut, au-delà du bouton de verrouillage situé à l'arrière du carter de moteur (Étape B), puis relâchez la goupille de verrouillage. Le châssis de roue sera verrouillé en place par le bouton de verrouillage. (Voir la Fig. 6)

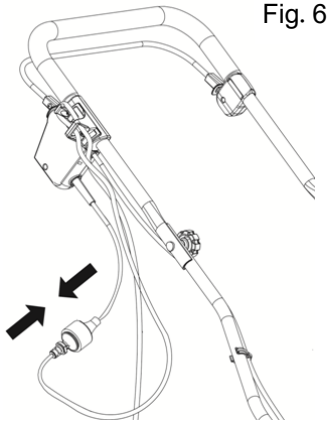


Fig. 6

Déplacez la déchaumeuse sur la zone de travail avant de démarrer le moteur.

AVERTISSEMENT: ne démarrez pas le déchaumeur s'il se trouve dans l'herbe haute ou sur un sol solide.

Commencer

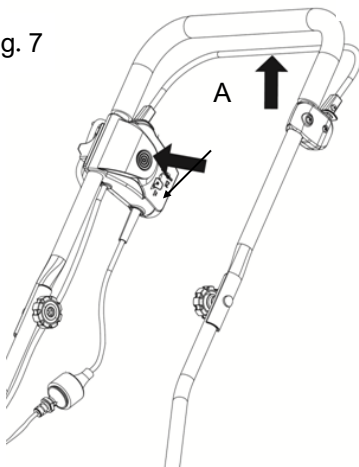
Pour démarrer la déchaumeuse, appuyez sur le bouton de verrouillage de sécurité (A) du coffret électrique et maintenez-le enfoncé tout en tirant le fil de la bélière (B) vers le haut et vers la poignée. Le moteur démarre et le râteau commence à tourner. (Voir Fig.7)

Pour arrêter le déchaumeur, relâchez simplement le fil de la caution.

Avant utilisation, retirez toute pierre visible ou tout autre corps étranger de la zone.

ATTENTION: Avant de déplacer la déchaumeuse d'une zone à une autre, éteignez le moteur et attendez que le râteau s'arrête complètement. Veillez à ne pas laisser le râteau toucher le sol lors du déplacement de la déchaumeuse. Le râteau ainsi que l'unité elle-même peuvent être endommagés même si le moteur est éteint.

Fig. 7

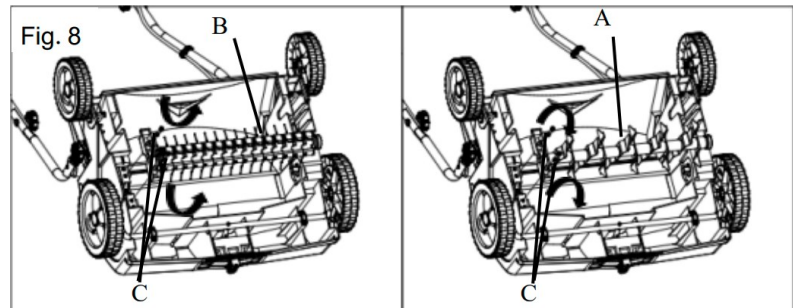


FONCTION DE RÂTEAU

Avec le cylindre de râteau, cet appareil peut être utilisé comme râteau pour éliminer les mauvaises herbes et la mousse dans la pelouse ainsi que les débris de feuilles. Afin de développer une pelouse saine au printemps, il est nécessaire qu'une plus grande quantité d'air pénètre dans la zone autour des racines de l'herbe. Nous recommandons ratisser la pelouse deux fois par an, par ex. au printemps et en automne. Pour obtenir de bons résultats et augmenter la durée de vie du cylindre de râteau, tondez votre pelouse à une hauteur plus courte (moins de 4 cm) avant de commencer.

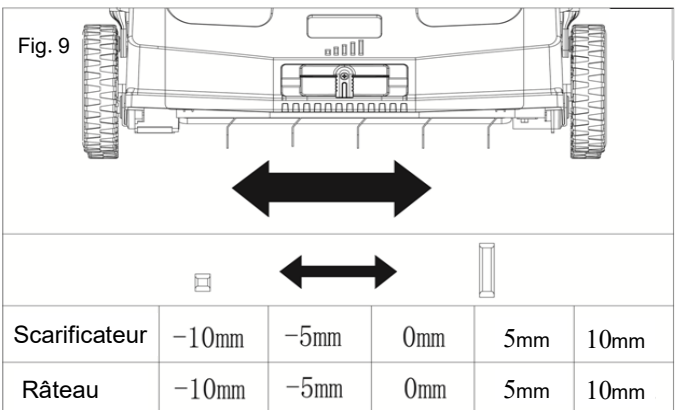
CHANGEMENT EN FONCTION SCARIFICATEUR

Cette déchaumeuse peut être utilisée sous la fonction scarificateur au besoin. Pour commencer avec le scarificateur (A), retirez le râteau au (B) de l'unité par-desserrés les deux vis (C) dans le sens inverse des aiguilles d'une montre. Et tirez-le directement hors du support de montage. Puis remplacez-le avec un scarificateur en insérant le côté droit du scarificateur dans le poster comme dépassant du boîtier et aligner l'autre côté de la scarificateur avec les trous sur le support et les fixer avec deux vis (C) en tournant dans le sens des aiguilles d'une montre. Assurez-vous que le scarificateur est correctement fixé sur l'unité avant départ. (Fig. 8)



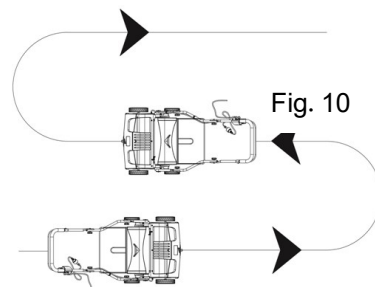
RÉGLER LA PROFONDEUR DE TRAVAIL

Ce déchaumeur peut être réglé sur 5 positions de profondeur de ratisage. Faites glisser le levier de réglage de la profondeur vers la gauche ou la droite pour contrôler la profondeur de travail comme suit:



Sélectionnez la profondeur de travail en fonction de l'état de la pelouse et de la hauteur réelle de l'herbe. Inclinez le déchaumeur légèrement vers l'arrière de sorte que les deux roues avant ne soient pas au sol. Allumez la déchaumeuse, le cylindre de râteau commence à tourner librement. Guidez toujours la déchaumeuse à une vitesse uniforme en fonction du type de sol. Rester trop longtemps au même endroit peut endommager l'herbe si le sol est mouillé ou trop sec. Ne passez jamais la déchaumeuse sur la rallonge lorsqu'elle est en marche; assurez-vous qu'il est toujours dans une position sûre derrière votre dos. (Fig.10).

Lorsque vous travaillez sur des pentes, tenez-vous toujours en diagonale par rapport à la pente dans une position solide et sûre. Ne travaillez pas sur des pentes extrêmement raides. Videz le bac à herbe lorsqu'il est plein afin d'éviter que la lame ne se bouche et que le moteur ne soit surchargé.



ENTRETIEN

AVERTISSEMENT: Avant d'effectuer les opérations d'entretien, débranchez la prise d'alimentation électrique. Le non-respect de cet avertissement peut entraîner des blessures graves.

Avant chaque utilisation, vérifiez que la rallonge n'est pas endommagée ou vieillie. Remplacez le câble s'il est fissuré, fendu ou autrement endommagé. Vérifiez l'état du déchaumeur et assurez-vous que toutes les connexions filetées sont bien serrées.

ATTENTION: nettoyez toujours la déchaumeuse après chaque utilisation. Le fait de ne pas effectuer un nettoyage approprié peut endommager le déchaumeur ou entraîner de mauvaises performances.

Après chaque utilisation, retirez le sac de collecte. Videz et nettoyez le sac après chaque utilisation. Rangez toujours cet appareil sur une surface stable et bloquez les roues pour l'empêcher de rouler. Inclinez l'appareil vers l'avant.

Nettoyez le dessous du boîtier autour des lames et le volet de sécurité avec une brosse à récurer ou un chiffon. Ne jamais éclabousser avec de l'eau!

Remettez l'appareil sur ses roues, nettoyez le ventilateur et toute herbe ou saleté restante.

Remplacez les pièces usées ou endommagées par des pièces de rechange d'origine uniquement. Les pièces d'un autre déchaumeur peuvent ne pas s'ajuster correctement, ce qui entraîne une situation dangereuse.

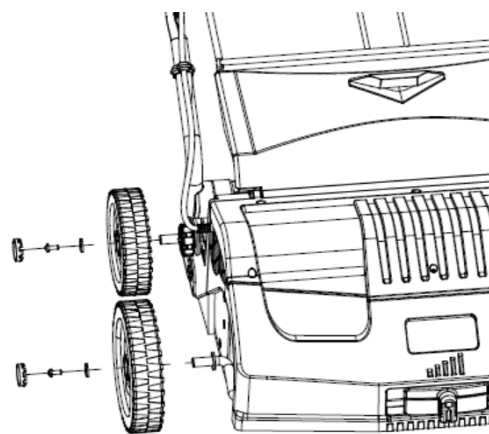
Assurez-vous que tous les dispositifs de protection sont sécurisés et en bon état. Réparez ou remplacez si nécessaire.

AVERTISSEMENT: des blessures peuvent survenir lors des travaux sur le râteau. Portez des gants de protection.

Dépose et repose des roues (Fig.11)

Pour retirer les roues avant et arrière des arbres, soulevez les chapeaux de roue, retirez les boulons à tête hexagonale M5 X 12 et les joints toriques des arbres. Retirez les roues de l'arbre. Inversez les étapes ci-dessus pour installer les roues.

Fig. 11



STORAGE

Rangez la déchaumeuse dans un endroit sec et propre, hors de portée des enfants.

Pendant les périodes de stockage prolongées, assurez-vous que le déchaumeur est protégé contre la corrosion et la rouille.

À la fin de la saison, ou si le déchaumeur n'est pas utilisé pendant plus d'un mois, essuyez toutes les surfaces métalliques avec un chiffon imprégné d'huile pour les protéger de la corrosion ou vaporisez avec une fine couche d'huile. Rabattez la poignée supérieure vers le bas et rangez la déchaumeuse dans un endroit approprié.

REMISAGE

Remisez le cultivateur/la griffe dans un endroit sec, propre et hors de portée des enfants.

Lors d'un remisage pendant des périodes de temps prolongées, assurez-vous que le cultivateur/la griffe est protégé contre la corrosion.

À la fin de la saison, ou si le cultivateur/la griffe n'est pas utilisé pendant plus d'un mois, essuyez toutes les surfaces en métal avec un chiffon imprégné d'huile pour les protéger contre la corrosion, ou vaporisez une fine couche d'huile. Repliez la barre de guidage et remisez le cultivateur/la griffe dans un emplacement adéquat.

DÉPANNAGE

Problème	Causes possibles	Correctif
Le moteur ne démarre pas	L'appareil n'est pas branché Pas d'électricité Câble défectueux Contacteur/fiche de sécurité défectueux La protection surchauffe est activée	Branchez l'appareil Vérifiez l'alimentation électrique Vérifiez le câble. Réparez ou remplacez si nécessaire. Prenez des dispositions pour effectuer des réparations 1. La profondeur de labour est excessive, réglez pour une profondeur moindre. 2. Cylindre racleur bloqué, retirer le blocage. 3. Herbe trop longue, tondez la pelouse avant de l'utiliser. Attendez pendant 15 minutes que le moteur refroidisse avant de continuer.
Bruits anormaux	Le cylindre du raker est coincé Ceinture dentée glissant Les boulons, les écrous ou d'autres composants sont desserrés.	Éteindre. Attendez que le raker s'arrête complètement. Retirez les objets coincés. Le déchaumeur doit être réparé. Appelez notre service d'assistance à la clientèle au 1-800-633-1501 pour obtenir de l'aide. Resserrez tous les composants. Prenez des dispositions pour faire effectuer les réparations si le bruit continue.
Vibrations anormales	Rasoir ou scarificateur endommagé ou usé La profondeur de labour est excessive	Remplacez le râteau ou le scarificateur endommagé ou usé. Réglez à la profondeur de labour qui convient.
Piètres résultats	Racleur ou scarificateur usé Ouverture de décharge bloquée	Remplacez le râteau ou le scarificateur endommagé ou usé. Videz le sac récupérateur d'herbe et retirez le blocage

APPELEZ-NOUS D'ABORD!!

Appelez-nous d'abord pour toute question concernant le fonctionnement ou la maintenance de votre déchaumeur au 1-800-633-1501 entre 8h00 et 17h00, heure normale de l'Est, ou obtenir de l'aide sur www.americanlawnmower.com.

PIÈCES ET SERVICE

RÉPARATION

Pour les pièces ou la réparation, veuillez appeler le 1-800-633-1501 ou visitez-nous en ligne au www.americanlawnmower.com. Veuillez fournir toute l'information pertinente lorsque vous nous appelez ou nous rendez visite.

PIÈCES DE RECHANGE (KITS/ ARTICLES)

Le numéro de modèle/ de série de cet outil se trouve sur une plaque ou une étiquette fixée au bâti. Notez votre numéro de série dans l'espace prévu ci-dessous.

NUMÉRO DE MODÈLE DT71613AA

NUMÉRO DE SÉRIE _____

Toujours mentionner le numéro de modèle lors de la commande de kits pour cet outil.

N°	Numéro de kit/ Numéro d'article	Description	Quantité
1	DT-WK-1	Kit de roue avant	1
2	DT-WK-2	Kit de roue arrière	1
3	DT-LHK-1	Kit poignée inférieure	1
4	DT-UHK-1	Kit poignée supérieure	1
5	DT-HK-1	Kit matériel	1
6	DT-TK-1	Raker	1
7	DT-TK-2	Scarificateur	1
8	DT-GC-1	DT Catcher	1

APPELEZ-NOUS D'ABORD!!

Appelez-nous d'abord pour toute question concernant le fonctionnement ou la maintenance de votre déchaumeur au 1-800-633-1501 entre 8h00 et 17h00, heure normale de l'Est, ou obtenir de l'aide sur www.americanlawnmower.com.



MANUEL DE L'UTILISATEUR

Déchaumeuse électrique 13A

Copyright. Tous droits réservés.

POLITIQUE DE GARANTIE

Garantie limitée de deux (2) ans sur l'équipement électrique extérieur Earthwise.

Earthwise garantit au propriétaire d'origine que tout nouveau produit et toute nouvelle pièce de remplacement est exempt(e) de défaut de matériau et de fabrication et s'engage en vertu de la présente garantie à réparer ou à remplacer tout produit défectueux ou toute pièce défectueuse à compter de la date d'achat d'origine pendant la période de garantie à l'exception des conditions et des circonstances indiquées ci-dessous.

Cette garantie s'applique seulement à l'acheteur d'origine dans un magasin de ventes au détail et ne peut être transférée.

La garantie s'applique si le produit est utilisé pour usage personnel, domestique ou familial. La garantie est nulle si le produit est utilisé à des fins commerciales, industrielles ou locatives.

La garantie n'inclut pas les réparations nécessaires à cause de la négligence ou de l'abus de l'opérateur (y compris la surcharge du produit au-delà de sa capacité ou son immersion dans l'eau), ou l'échec à assembler, opérer, entretenir ou entreposer le produit selon les instructions dans le manuel de l'opérateur.

Cette garantie n'est pas transférable et s'applique seulement au produit vendu directement d'un fournisseur autorisé. Cette garantie ne s'applique pas à tout produit, neuf ou usagé, acheté par le biais de canaux tiers non-autorisés.

TOUT DOMMAGE, PERTE OU FRAIS CONSÉCUTIF, INDIRECT OU CONSÉQUENT QUI POURRAIT RÉSULTER D'UN DÉFAUT, D'UNE DÉFAILLANCE OU D'UN DYS FONCTIONNEMENT DU PRODUIT N'EST PAS COUVERT PAR LA GARANTIE. Certains États ne permettent pas l'exclusion ou la limitation de la durée d'une garantie implicite. Les restrictions ci-dessus peuvent donc ne pas s'appliquer.

Les produits vendus endommagés ou incomplets, vendus « tels quels », ou vendus remis en état, ne sont pas couverts par cette garantie.

Les dommages ou responsabilités provoqués par le transport, une mauvaise manipulation, un mauvais assemblage, une tension ou un câblage incorrect, une mauvaise maintenance, une modification incorrecte ou l'utilisation d'accessoires ou d'outils non spécifiquement recommandés n'est pas couvert par cette garantie.

Les items consommables qui s'usent lors d'une utilisation normale ne sont pas couverts par la garantie.

La garantie ne couvre pas la détérioration normale de la finition extérieure, y compris, sans s'y limiter, aux égratignures, aux éclats de peinture entaillée ou à toute corrosion ou décoloration causée par la chaleur, les abrasifs et les nettoyants chimiques.

La garantie n'inclut pas l'installation, l'assemblage ou les réglages normaux expliqués dans le manuel de l'utilisateur.

Les frais de livraison du produit au vendeur ou les frais de retourner le produit ou les pièces de rechange au propriétaire ne sont pas couverts par la garantie.

La garantie ne couvre pas la détérioration normale de la finition extérieure, y compris, sans s'y limiter, aux égratignures, aux éclats de peinture entaillée ou à toute corrosion ou décoloration causée par la chaleur, les abrasifs et les nettoyants chimiques.

Une preuve d'achat, original du reçu de vente daté, doit accompagner toute réclamation de garantie.



American Lawn Mower Company
The Great States Corporation
7444 Shadeland Station Way
Indianapolis, IN 46256 États-Unis
Téléphone 1-800-633-1501
www.americanlawnmower.com

Dans le cadre d'un engagement permanent d'amélioration de la qualité, le Fabricant se réserve le droit d'apporter des modifications à des composants ou à la conception si nécessaire.

Rev. 06/22/2021