

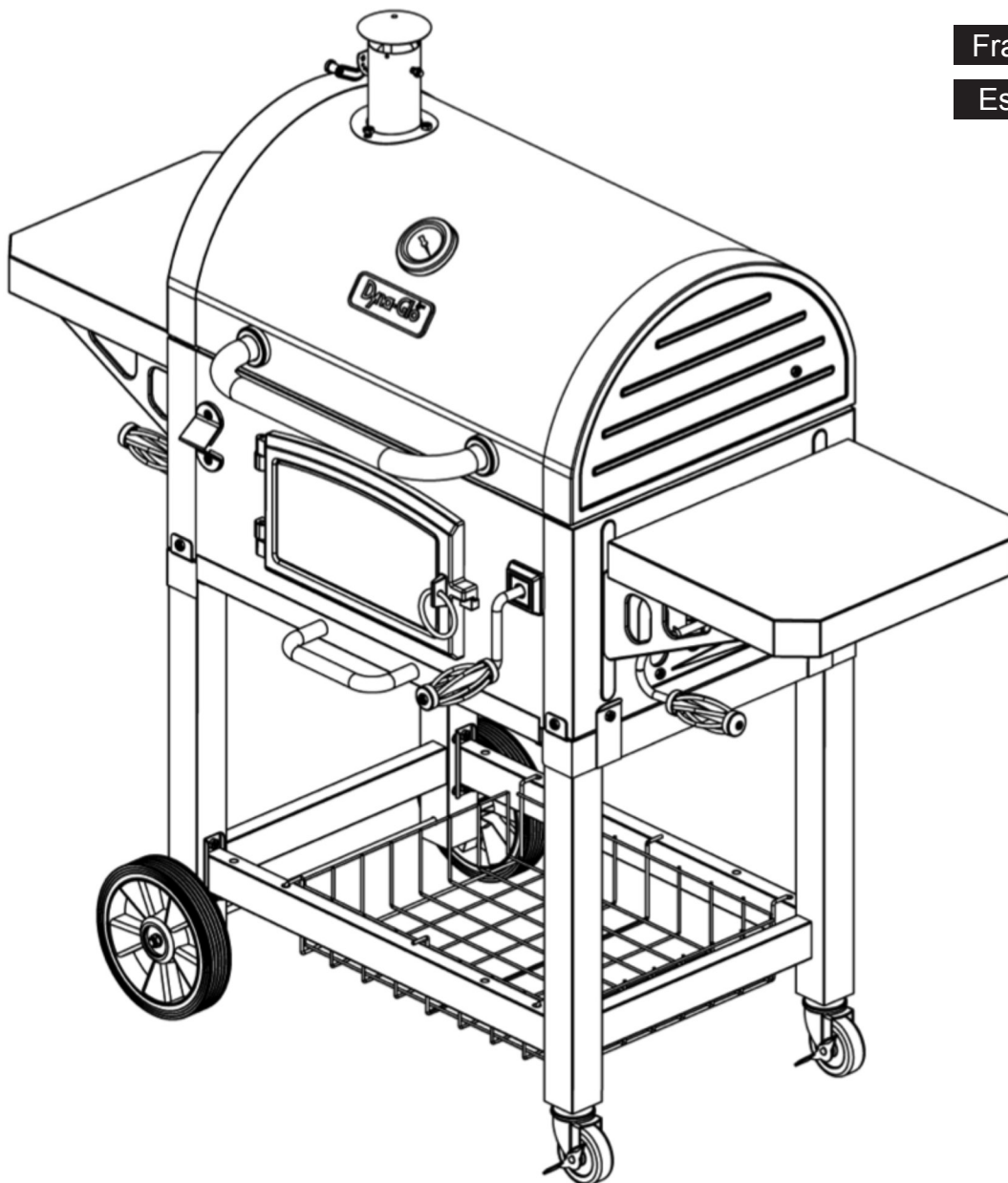


HEAVY-DUTY CHARCOAL GRILL

MODEL #DGN486SNC/
#DGN486SNC-D

Français p. 19

Español p. 37



ATTACH YOUR RECEIPT HERE

Serial Number _____ Purchase Date _____



Questions, problems, missing parts? Before returning to your retailer, call our customer service department at 1-877-447-4768, 8:00 a.m. – 4:30 p.m. CST, Monday – Friday, or email customerservice@ghpgroupinc.com.

TABLE OF CONTENTS

Package Contents	3
Hardware Contents.....	4
Preparation	4
Safety Information	5
Assembly Instructions.....	6
Operating Instructions	14
Care and Maintenance	16
Warranty	16
Replacement Parts List	17



SAFETY INFORMATION

Please read and understand this entire manual before attempting to assemble, operate or install the product. If you have any questions regarding the product, please call customer service at: 1-877-447-4768, 8:00 a.m. – 4:30 p.m. CST, Monday – Friday.



CAUTION

- THIS UNIT IS HEAVY. TWO PEOPLE REQUIRED FOR SAFE ASSEMBLY. Some parts may contain sharp edges. Wear protective gloves if necessary. Read and follow all safety statements, warnings, assembly instructions, and use and care instructions before attempting to assemble and use.



WARNING

- Keep a fire extinguisher near this product at all times.
- This grill is for outdoor use only in well-ventilated areas.
- The use of alcohol, prescription or non-prescription drugs may impair the user's ability to properly assemble and safely operate this appliance.



SAFETY INFORMATION

- Use caution when lifting and moving the unit to avoid back strain or back injury. Do not move the unit while it is in use.
- **DO NOT** operate the unit near or under flammable or combustible materials such as decks, porches or carports. A minimum clearance of 36 in. (91.4 cm) is recommended. **DO NOT** operate the unit under overhead construction.
- A minimum clearance to combustible construction is 36 in. (91.4 cm) from sides and back.
- **DO NOT** use this appliance as a heater.
- Operate the unit on a stable, level, non-flammable surface such as asphalt, concrete or solid ground. **DO NOT** operate the unit on flammable material such as carpet or wood deck.
- Use caution when assembling and operating this unit to avoid cuts and scrapes from edges.
- **DO NOT** use this product in a manner other than its intended purpose. It is NOT intended for commercial use. It is not intended to be installed or used in or on a recreational vehicle and/or boats.
- **DO NOT** store this unit near gasoline or other combustible liquids or where other combustible vapors may be present.
- **DO NOT** store or operate this product in an area accessible to children or pets. Store this unit in a dry protected location.
- **DO NOT** leave the unit unattended while in use.
- **DO NOT** leave hot ashes unattended until the grill cools completely.
- **DO NOT** move the unit while in use or while ashes are still hot. Allow the unit to cool completely before moving or storing.
- **NEVER** use gasoline or other highly volatile fluids as a starter.
- Always cook your food on the grate after the flame is burned out.
- Dispose of cold ashes by wrapping them in heavy-duty aluminum foil and placing in a noncombustible container. Make sure that there are no other combustible materials in or near the container.
- If you must dispose of ashes in less time than it takes for the ashes to completely cool down, then remove the ashes from the unit, using heat-resistant gloves along with long metal tongs or fireplace shovel. Place the coals in aluminum foil and soak them completely with water before disposing of them in a noncombustible container.
- Allow the unit to cool completely before conducting any routine cleaning or maintenance.

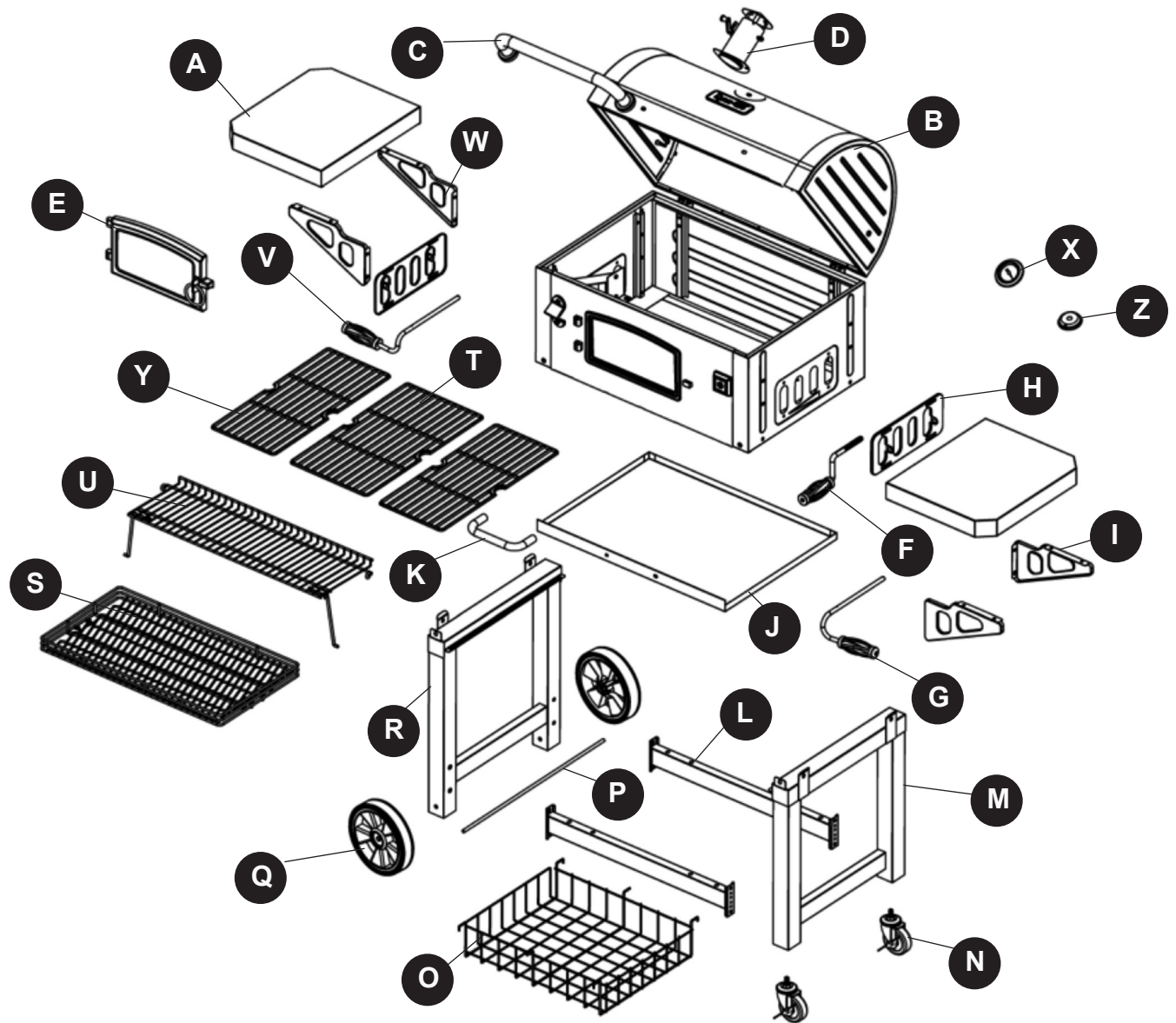
CALIFORNIA PROPOSITION 65

WARNING

This product and the fuels used to operate this product (charcoal or wood), and the products of combustion of such fuels, can expose you to chemicals including carbon black, which is known to the State of California to cause cancer, and carbon monoxide, which is known to the State of California to cause birth defects or other reproductive harm.

For more information go to www.p65Warnings.ca.gov

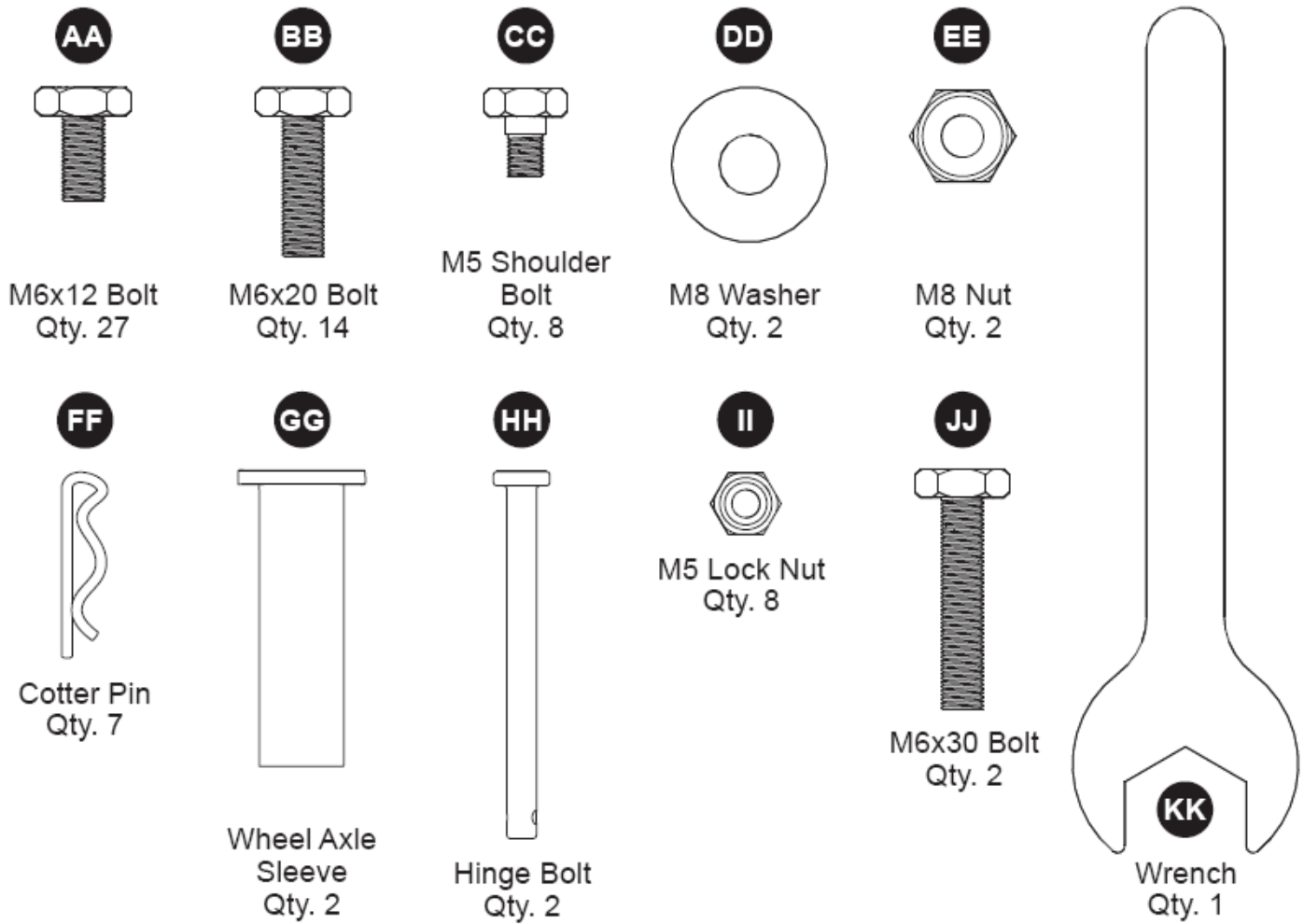
PACKAGE CONTENTS



PART	DESCRIPTION	QUANTITY
A	Side Shelf	2
B	Lid and Firebox Assembly	1
C	Lid Handle Assembly	1
D	Smoke Stack Assembly	1
E	Charcoal Access Door	1
F	Crank Handle	1
G	Damper Handle – Right	1
H	Damper	2
I	Side Shelf Support – Right Rear/Left Front	2
J	Ash Tray	1
K	Ash Tray Handle	1
L	Cart Brace	2
M	Right Leg Assembly	1

PART	DESCRIPTION	QUANTITY
N	Caster	2
O	Storage Basket	1
P	Axle	1
Q	Wheel	2
R	Left Leg Assembly	1
S	Charcoal Tray	1
T	Grate - Large	1
U	Warming Rack	1
V	Damper Handle – Left	1
W	Side Shelf Support – Left Rear/Right Front	2
X	Temperature Gauge	1
Y	Grate - Small	2
Z	Temperature Gauge Nut Bezel	1

HARDWARE CONTENTS (shown actual size)



PREPARATION

Before beginning assembly of product, make sure all parts are present. Compare parts with package contents list and hardware contents list. If any part is missing or damaged, do not attempt to assemble the product.

Estimated Assembly Time: 50 minutes with two people

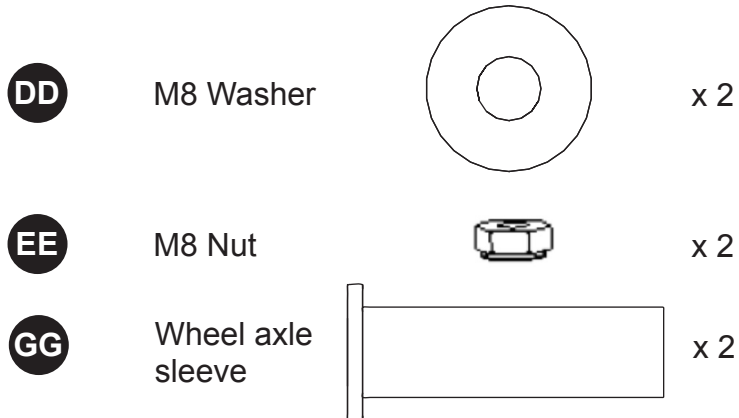
Tools Required for Assembly (not included): Phillips screwdriver, adjustable wrench



ASSEMBLY INSTRUCTIONS

1. Insert axle (P) into left leg assembly (R). Attach one wheel (Q) to each side of axle (P) using one wheel axle sleeve (GG), one M8 washer (DD), and one M8 nut (EE).

Hardware Used



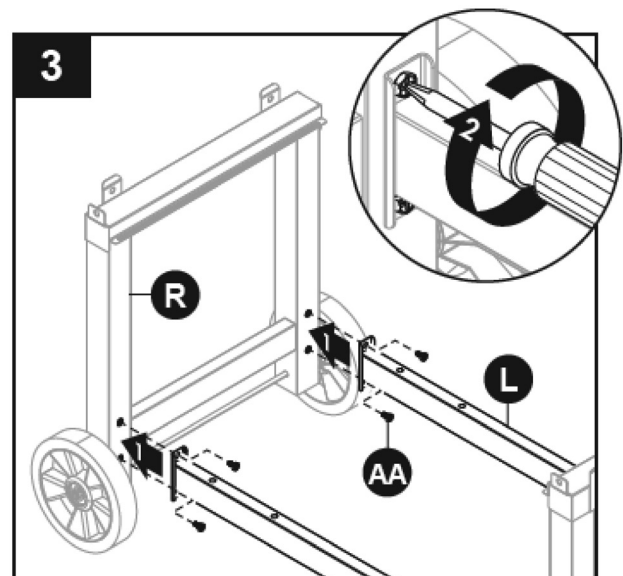
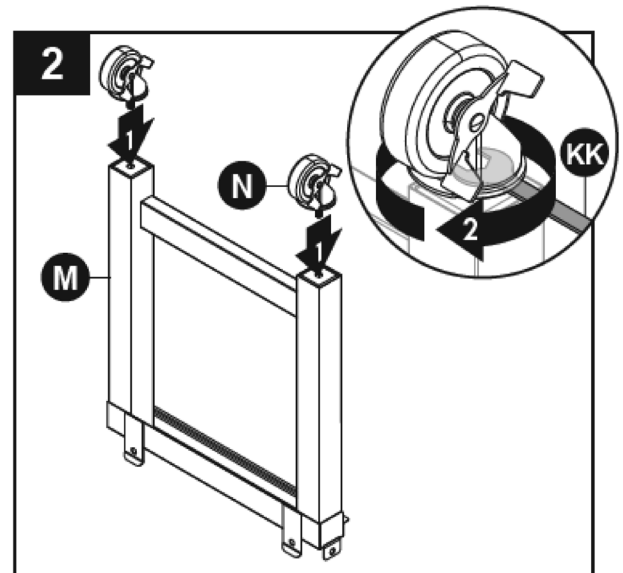
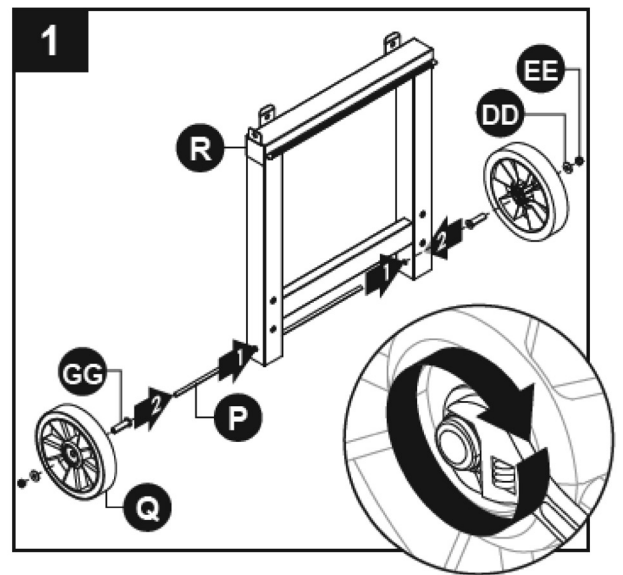
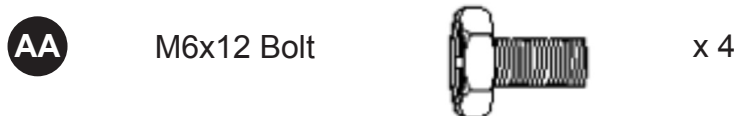
2. Attach two casters (N) to right leg assembly (M) and secure with wrench (KK).

Hardware Used



3. Attach two cart braces (L) to left leg assembly (R) using two M6x12 bolts (AA) on each side.

Hardware Used

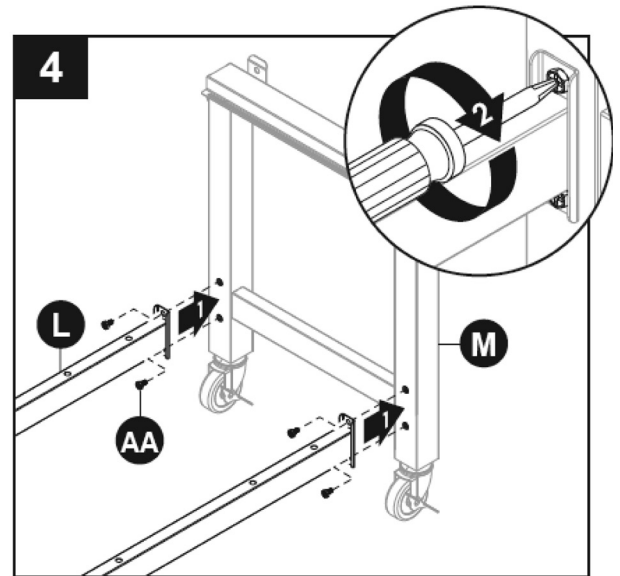


ASSEMBLY INSTRUCTIONS

- Attach two cart braces (L) to right leg assembly (M) using two M6x12 bolts (AA) on each side.

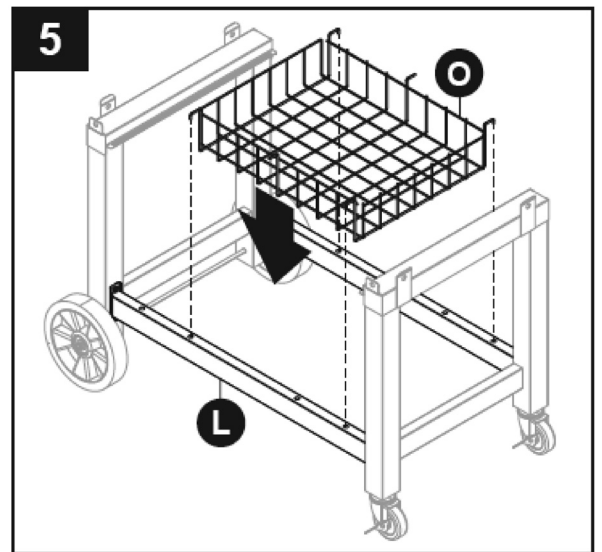
Hardware Used

- AA** M6x12 Bolt  x 4

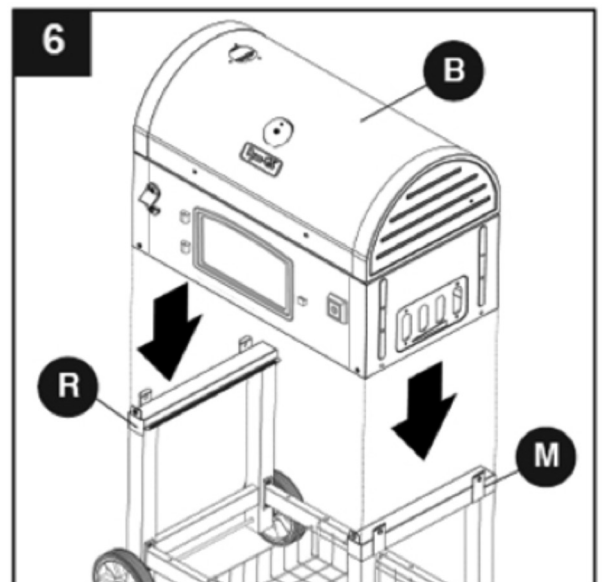


- Attach storage basket (O) to cart braces (L).

NOTE: Make sure four hooks on storage basket (O) are fully inserted into holes on cart braces (L).



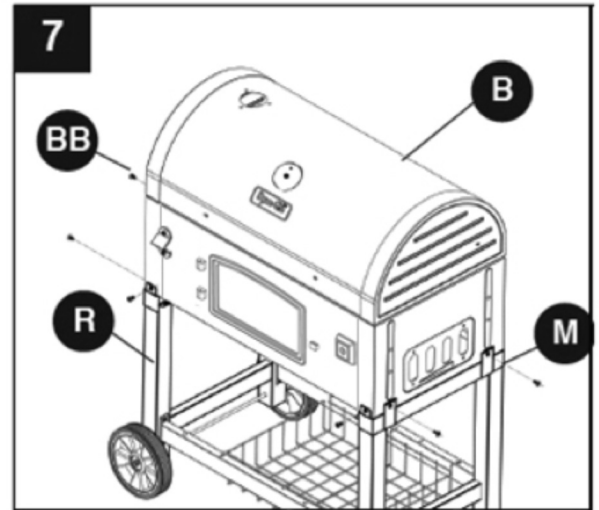
- With the help of a second person, set lid and firebox assembly (B) on top of left leg assembly (R) and right leg assembly (M).



ASSEMBLY INSTRUCTIONS

7. Secure lid and firebox assembly (B) on top of left leg assembly (R) and right leg assembly (M) using six M6x20bolts (BB).

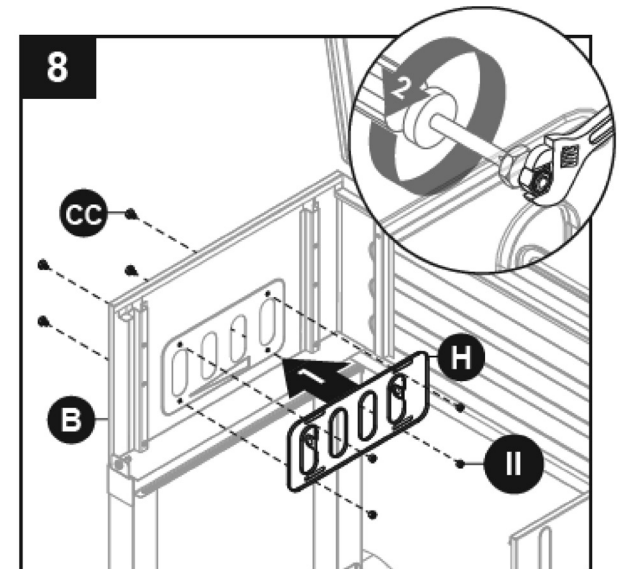
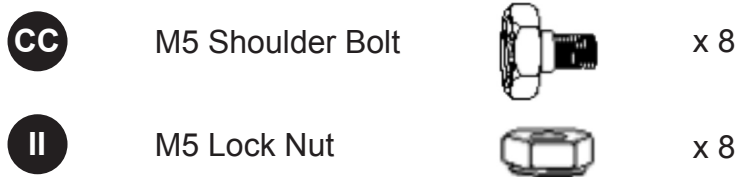
Hardware Used



8. Attach damper (H) to inside of lid and firebox assembly (B) using four M5 shoulder bolts (CC) and four M5 lock nuts (II). Repeat for remaining damper (H).

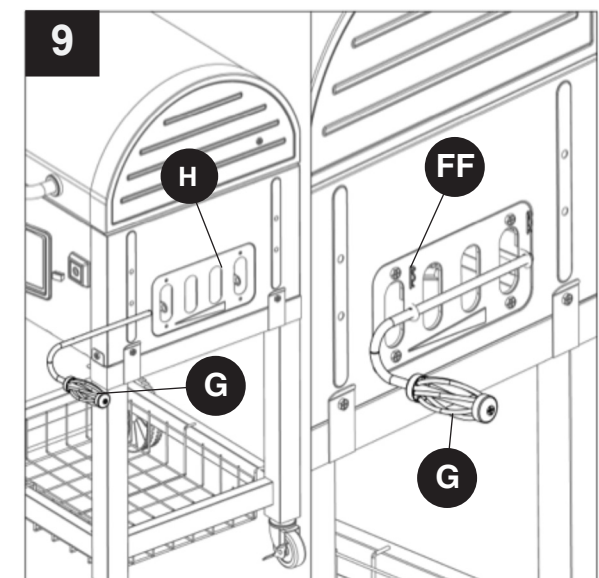
NOTE: For clarity, illustration is shown with front of lid and firebox assembly (B) removed.

Hardware Used



9. Insert damper handle – right (G) into the two holes on right side damper (H). Secure with two cotter pins (FF). Repeat for damper handle – left (V).

Hardware Used

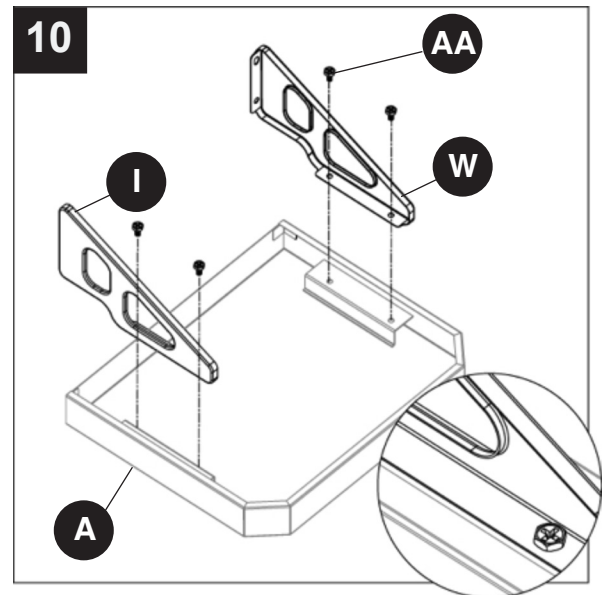


ASSEMBLY INSTRUCTIONS

10. With shelf upside down, attach side shelf support – left rear/right front (W) and side shelf support – left front/right rear (I) to side shelf (A) using four M6x12 bolts (AA) on each side. Repeat for remaining shelf (A).

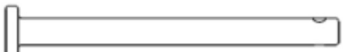
Hardware Used

AA M6x12 Bolt  x 8

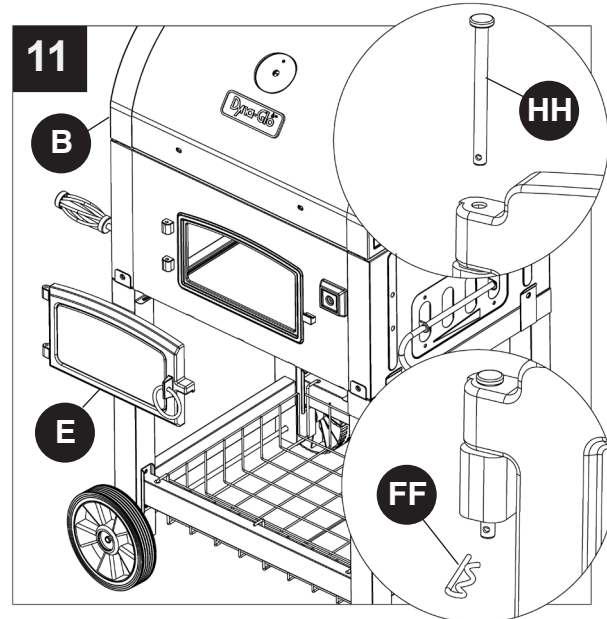


11. Attach charcoal access door (E) to lid and firebox assembly (B). Insert two hinge bolts (HH) into hinges on charcoal access door (E) and secure with two cotter pins (FF).

Hardware Used

HH Hinge Bolt  x 2

FF Cotter Pin  x 2

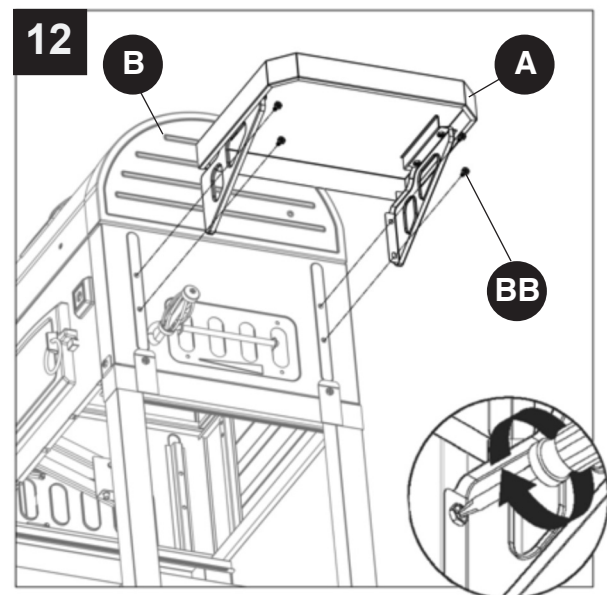


12. Attach right side shelf (A) to lid and firebox assembly (B) using four M6x20 bolts (BB). Repeat on left side with remaining side shelf (A).

NOTE: First secure two upper M6x20 bolts (BB), then lower M6x20 bolts (BB).

Hardware Used

BB M6x20 Bolt  x 8

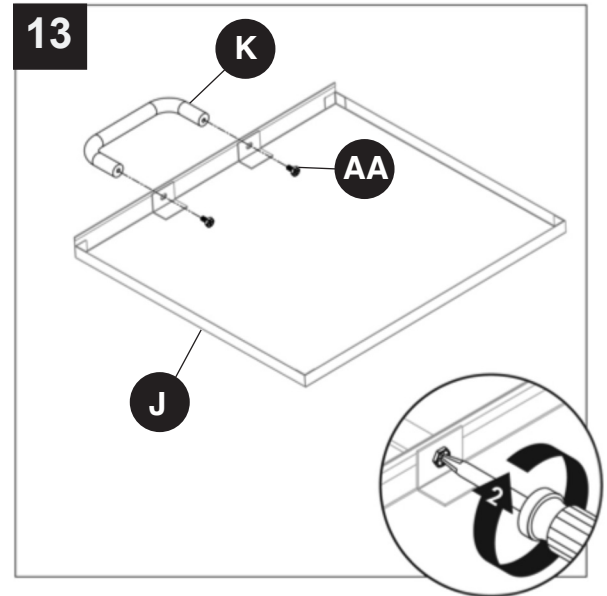


ASSEMBLY INSTRUCTIONS

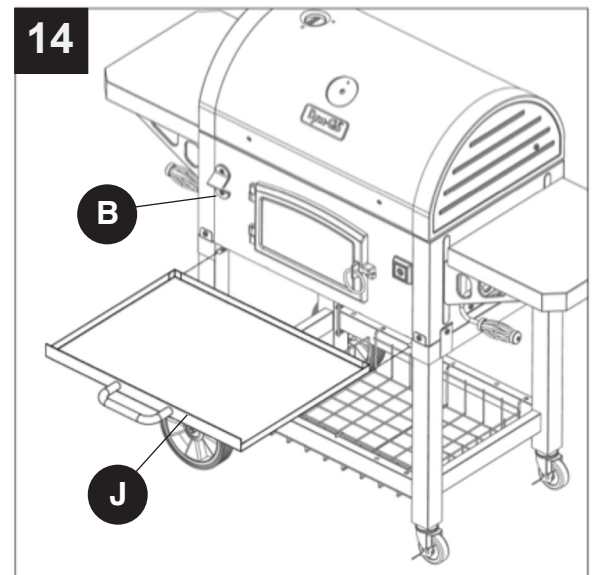
13. Attach ash tray handle (K) to ash tray (J) using two M6x12 bolts (AA).

Hardware Used

AA M6x12 Bolt  x 2




14. Insert ash tray (J) into lid and firebox assembly (B).

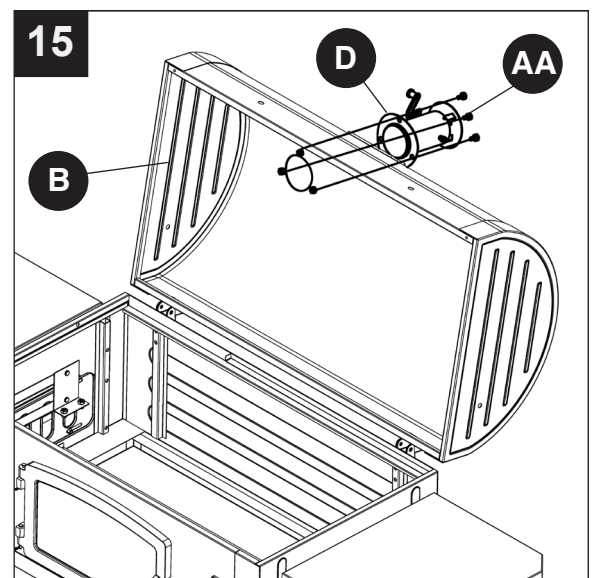


15. Attach smoke stack assembly (D) to lid and firebox assembly (B) using three M6x12 bolts (AA).

NOTE: Make sure the smoke stack damper adjustment handle faces the front of the grill.

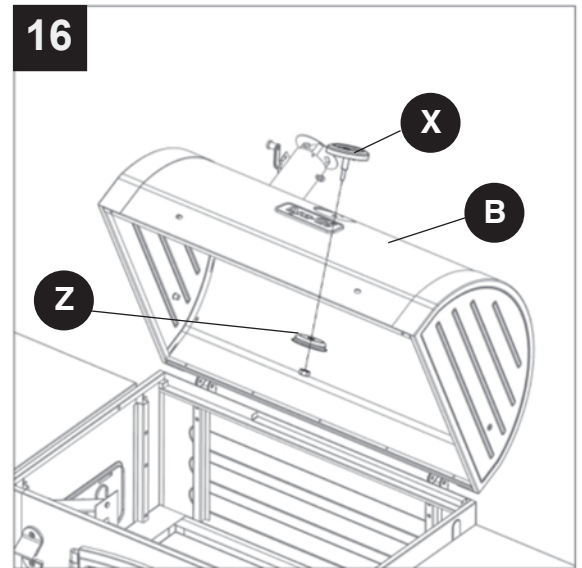
Hardware Used

AA M6x12 Bolt  x 3




ASSEMBLY INSTRUCTIONS

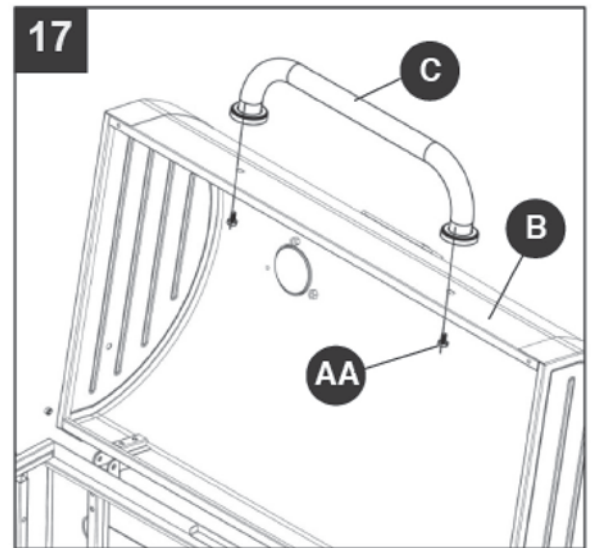
16. Attach temperature gauge (X) and temperature gauge nut bezel (Z) to lid and firebox assembly (B) using pre-assembled nut.



17. Attach lid handle assembly (C) to lid and firebox assembly (B) using two M6x12 bolts (AA).

Hardware Used

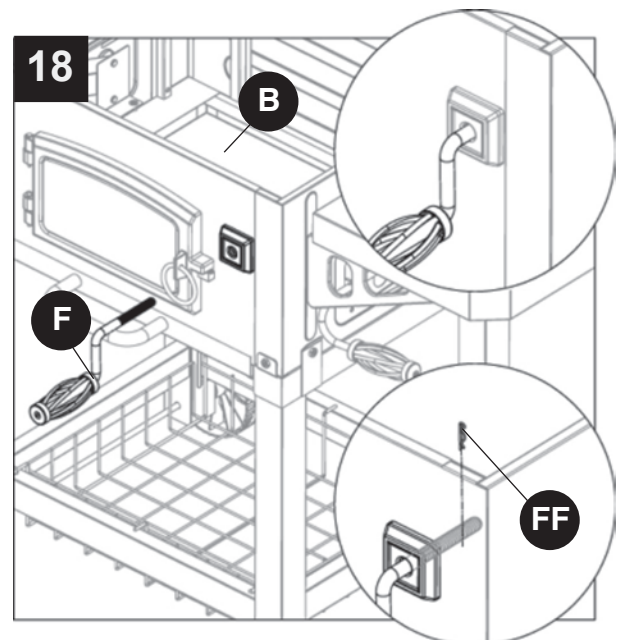
- AA** M6x12 Bolt  x 2



18. Thread crank handle (F) into lid and firebox assembly (B). Secure with one cotter pin (FF).

Hardware Used


- FF** Cotter Pin  x 1

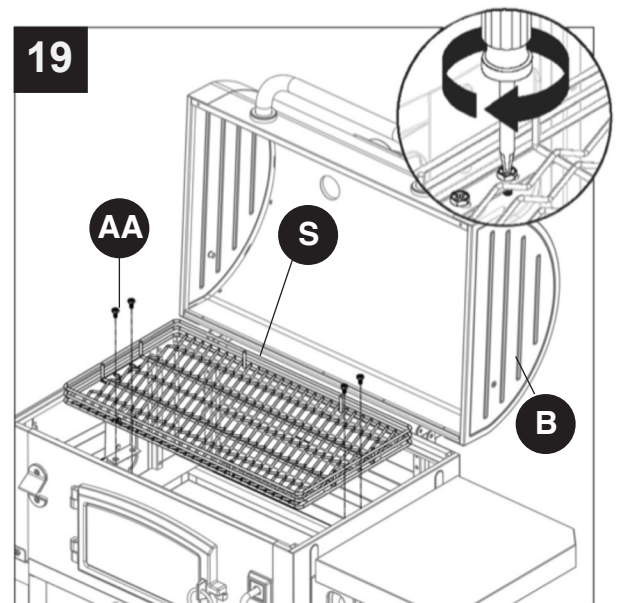


ASSEMBLY INSTRUCTIONS

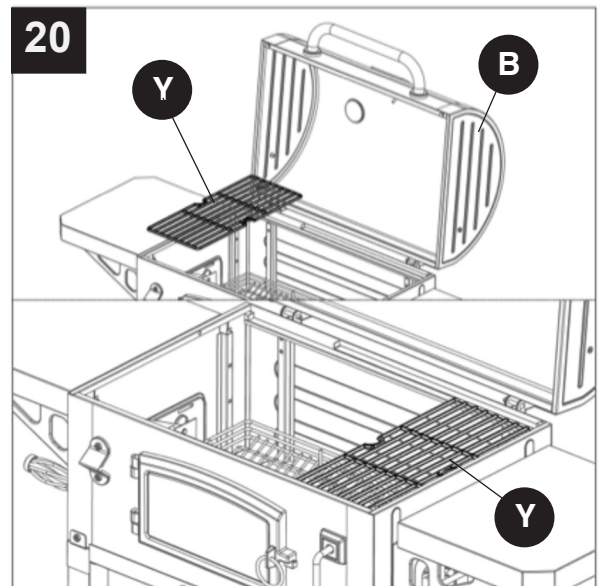
19. Attach charcoal tray (S) to inside of lid and firebox assembly (B) using four M6x12 bolts (AA).

Hardware Used

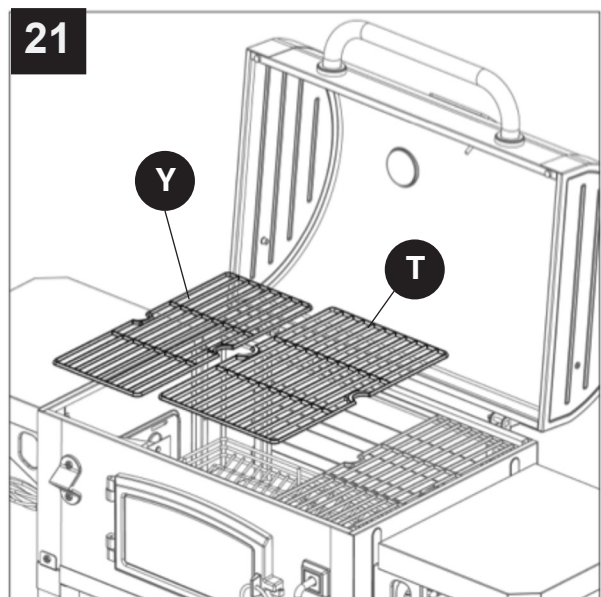
AA M6x12 Bolt  x 4



20. Place one grate - small (Y) onto the far left side of grate frame inside the lid and firebox assembly (B). Slide to Right of grill.



21. Place a second small grate (Y) on the lower grate frame of the lid and firebox assembly (B) (far left side). Place the grate - large (T) on the upper grate frame of the lid and firebox assembly (B) as shown.

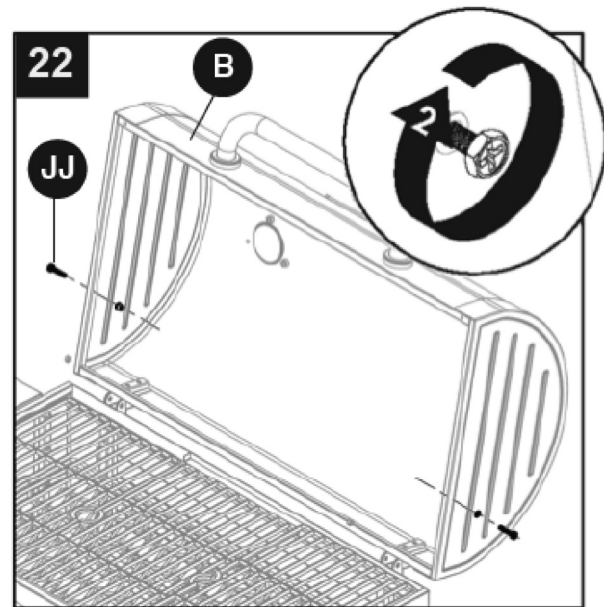


ASSEMBLY INSTRUCTIONS

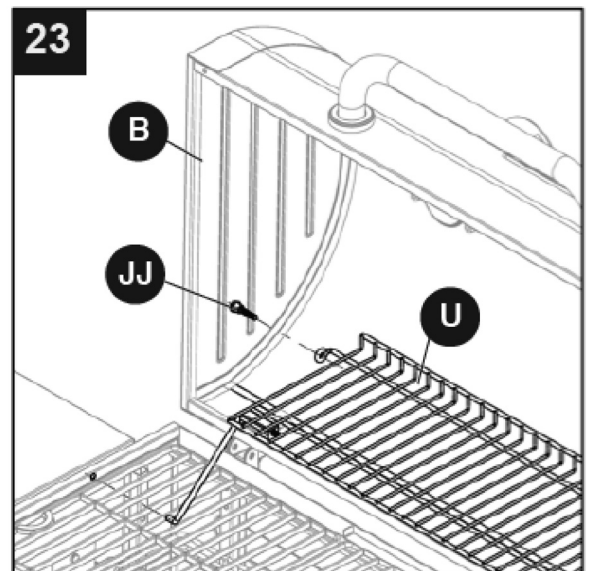
22. Attach one M6x30 bolt (JJ) on each side of lid and firebox assembly (B). DO NOT fully tighten.

Hardware Used

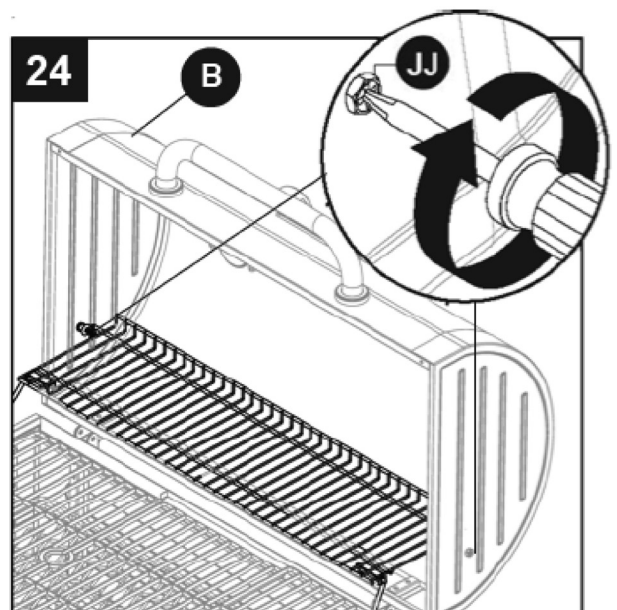
JJ M6x30 Bolt x 2



23. Insert one end of warming rack (U) onto M6x30 bolt (JJ) and into the hole on lid and firebox assembly (B). Repeat for other side.



24. Fully tighten M6x30 bolts (JJ) on each side of lid and firebox assembly (B).

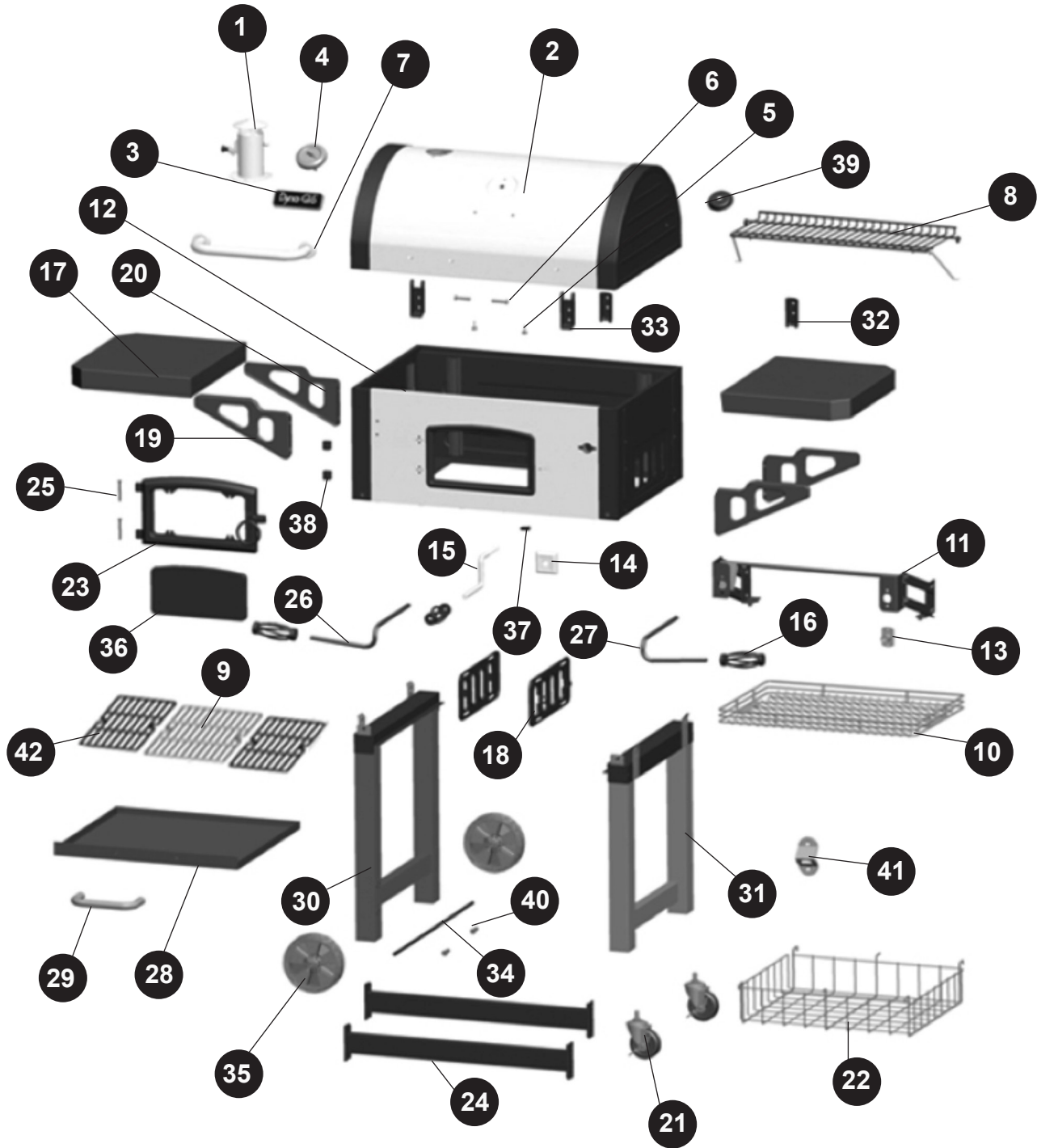


REPLACEMENT PARTS LIST

For replacement parts, call our customer service department at 1-877-447-4768, 8:00 a.m. - 4:30 p.m. CST, Monday - Friday.

PART	DESCRIPTION	PART #
n/a	Hardware pack	404-03026-00
n/a	Owner's/instruction manual	70-10-034
1	Smoke stack - stainless steel	404-01002-05
2	Lid assembly-WITHOUT handle, temperature gauge/bezel, smoke stack, badge	407-04003 04
3	DynaGlo badge	213-02002
4	Temperature gauge – with nut	213-02005
5	Lid bumper	403-01002-07
6	Lid pin with cotter pin	404-03002-03
7	Lid handle with hardware	403-01002-02
8	Warming rack with supports	414-11002-00
9	Cooking grate - large – 1 piece	403-01006-00
10	Charcoal tray	406-01006-00
11	Charcoal tray adjustment arm assembly	406-01003-02
12	Firebox bottom assembly ONLY, WITHOUT – side damper, charcoal pan/tray, arm assembly to charcoal pan/tray, crank arm assembly, front access door, and bottle opener	417-13003-01
13	Threaded mount for charcoal tray adjustment crank	404-02003-10
14	Charcoal tray adjustment crank handle bezel-with screws	403-03003-05
15	Charcoal tray adjustment crank only	403-02003-02
16	Charcoal tray adjustment crank handle or side damper adjustment crank handle (same)	403-02003-05
17	Side shelf	414-03004-01
18	Side damper adjustment plate - left or right	403-02003-08
19	Side shelf support-left front or right rear (same)	403-01004-01
20	Side shelf support-left rear or right front (same)	403-01004-02
21	Caster (includes wrench)	403-01014-02
22	Storage basket	403-01015-00
23	Charcoal access door (frame only)	407-03014-03
24	Bottom brace - front or rear (same)	405-03014-04
25	Charcoal access door hinge pin with cotter pin	401-01013-03
26	Side damper adjustment bar – left (without wire grip)	404-02003-06
27	Side damper adjustment bar-right (without wire grip)	404-02003-07
28	Ash pan without handle	405-03005-01
29	Ash pan handle with hardware	403-01005-02
30	Left leg assembly	403-03001-01
31	Right leg assembly	404-03001-05
32	Upper lid hinge	404-03002-04
33	Lower lid hinge	404-03002-02
34	Axle rod for wheels	403-01018-00
35	Wheel	403-01019-00
36	Charcoal access door insert with hardware	406-03017-01
37	Charcoal access door latch	403-03017-00
38	Charcoal access door hinge for firebox with hardware	404-03016-00
39	Temperature gauge nut bezel	213-02006
40	Sleeve for wheel axle	403-01021-00
41	Bottle opener	403-01003-05
42	Cooking grate - small - 1 piece	403-03006-00

REPLACEMENT PARTS LIST



Printed in China