

ED Series



Exterior Door for Walls and Ceilings

Elmdor[®] Exterior Access Doors are manufactured and engineered to provide access to exterior applications ensuring years of protection against outdoor elements. Our new technology helps to manifest resistance to water and vapor. Our Exterior Door includes foam insulation and neoprene gasket on four sides.

Door is fabricated from 16 gage, galvanized steel with a prime coat finish and 1" thick rigid foam insulation.

Frame is fabricated from 16 gage, galvanized steel with a prime coat finish and provided with bolt holes.

Hinge is concealed and operates completely out of sight, so that only the door and frame are visible.

Exterior latch is a cylinder lock that features a knurled knob or key operation.

Finish is a prime coat suitable for painting.

Guide Specification

Provide Elmdor[®] ED Series, Exterior Access Doors (specify model number and options). Access door frame shall be fabricated from 16 gage galvanized steel with a prime coat finish and provided with bolt holes. Access door panel shall be fabricated from 16 gage galvanized steel with a prime coat finish. Door shall be filled with 1" thick, rigid foam insulation and neoprene gasket on four sides. Access door shall have a concealed hinge with exterior latching cylinder lock that features a knurled knob or key operation. Finish shall be prime coat suitable for painting



MODEL NUMBER AND OPTIONS SELECTION

BASE MODEL NUMBER

ED Exterior Door for Walls and Ceilings

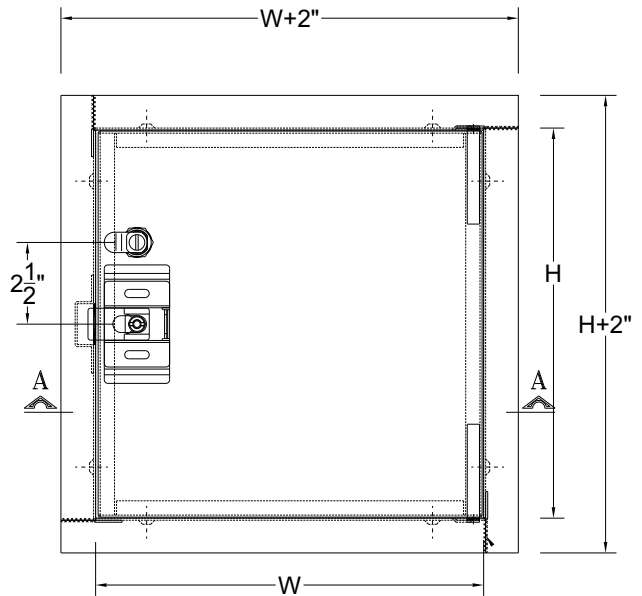
Suffix Options

- GB Galvanized Drywall Bead
 - SS Stainless Steel Construction.
 (Type 304 No 4 Finish Satin Finish)

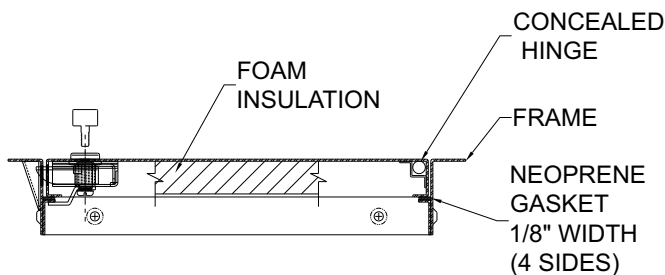
STANDARD AVAILABLE SIZES

Special sizes available upon request.

NOMINAL DOOR SIZE (W x H)	WALL OPENING	LOCK QNTY	WEIGHT
ED 12" x 12"	12-3/8" x 12-3/8"	1	15 lbs.
ED 14" x 14"	14-3/8" x 14-3/8"	1	17 lbs.
ED 18" x 18"	18-3/8" x 18-3/8"	1	20 lbs.
ED 24" x 24"	24-3/8" x 24-3/8"	1	28 lbs.
ED 22" x 30"	22-3/8" x 30-3/8"	2	32 lbs.
ED 30" x 30"	30-3/8" x 30-3/8"	2	38 lbs.
ED 24" x 36"	24-3/8" x 36-3/8"	2	40 lbs.
ED 36" x 36"	36-3/8" x 36-3/8"	2	50 lbs.
ED 36" x 48"	36-3/8" x 48-3/8"	2	81 lbs.



FRONT VIEW



SECTION A-A



KEY SHIPPED LOOSE
TAPE TO BACK OF
DOOR.

Dimensions are subject to manufacturer's tolerance of plus or minus 1/4". Elmdor/Stoneman assumes no responsibility for use of void or suspended data. Please visit www.elmdorstoneman.com for most current specifications. © Copyright 2009 Elmdor/Stoneman, City of Industry, CA, A Division of Acorn Engineering Company.

SELECTION SUMMARY & APPROVAL FOR MANUFACTURING

Model Number & Options _____	Quantity _____
Company _____	Date _____
Contact _____	Title _____
Approval for Manufacturing/Signature _____	

ED

Revised: 11/01/11