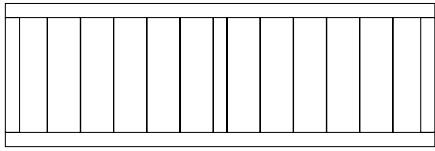
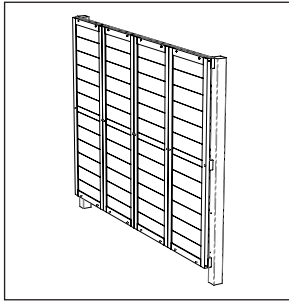


2X6 FRAMED FENCE PANELS ASSEMBLY INSTRUCTIONS AND INSTALLATION TIPS

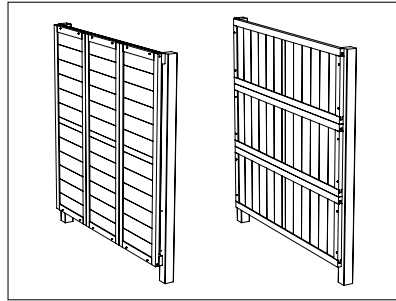


CONTENTS: 1 – 2 ft. x 6 ft. Assembled Fence Panel

Choose your project



- **6x8 Fence Panel**
(using four 2x6 panels, vertical installation only)



- **6x6 Fence Panel**
(using three 2x6 panels, vertical or horizontal installation)

- **4x6 Fence Panel** (using two 2x6 panels, horizontal installation only)
- Fence or wall topper, decorative accent and more!

Tools you may need

- Power saw
- Hammer
- Level
- Posthole digger
- Power drill
- Tape measure
- Carpenter's pencil

Materials

- String
- Grade stakes
- Concrete and gravel
- Fence posts
- 2x4s for bracing posts
- Backer rails (if installing panels in vertical orientation)
- Fasteners*

* Recommended fasteners are hot-dip galvanized screws or other fasteners required by building codes

Preparation

Check local ordinances and regulations before building your fence. Before construction, contact your local utility companies to mark any underground cables and pipelines. In addition, it is a good idea to discuss plans with any neighbors along your proposed fence line.

Design and Layout – Fence Panels

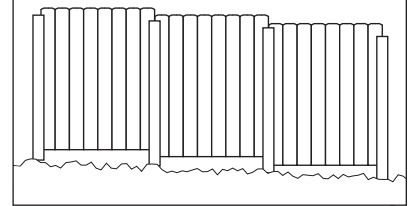
- Determine the number of posts, panels and gates needed to complete the job based on total linear footage. Take into consideration post, panel and gate width when determining the total number of each.
- Adjust the layout to accommodate as many full panels as possible. If you must use part of a panel, place in the farthest rear corner of the property.
- Drive stakes into the ground at corners and ends of fence line. Stakes should be at least 6" inside property boundary.

- Stretch twine or heavy string between stakes and pull tight to mark layout of your fence line.
- Locate and mark the post placement in the following order along the string line:
 - End/corner posts
 - Gate posts (if applicable)
 - Line posts

Installing on Sloped Landscapes – Fence Panels

Most yards are relatively level and will allow for a fairly simple installation. If your yard is steeply pitched or very uneven, be sure to allow for the required mounting height of the adjacent panel when setting your posts. You may need to "stair step" the panels in extreme cases (Fig. 1).

Fig. 1 Step method



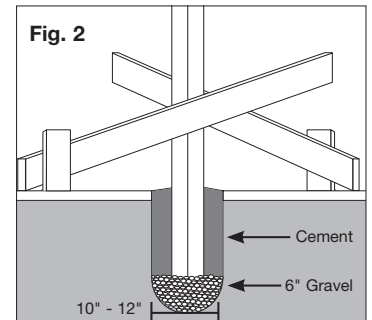
Postholes and Posts

NOTE: The following instructions are specific to installing posts in the ground. If you are installing on concrete or other material, use approved anchors/fasteners to secure posts, following all local building code guidelines.

DIGGING POSTHOLES

A general rule of thumb is to place 1/3 of the length of the post in the ground. Check local regulations for any special requirements or frost laws. The fence will be stronger if end, corner and gate posts are set at least 6" deeper than needed. Using a posthole digger or power auger, dig the holes 10-12" wide and 6" deeper than needed. Backfill the hole with 6" of gravel to drain water away from the bottom of the post (see Fig. 2). Keep the height of your fence panels in mind when digging your post holes.

Fig. 2



SETTING POSTS

Place the two posts for your first panel in the post holes. Brace each post using 2x4s nailed to the posts and stakes in the ground (see Fig. 2). This will keep them straight while the concrete sets. Check for plumb (90-degree angle) on two adjacent sides of the post prior to pouring concrete.

Fill hole with ready-mix concrete, following the package instructions. Tamp the concrete to remove any air pockets. Overfill the holes at the top and slope the concrete away from the post to keep water from pooling (see Fig. 2).

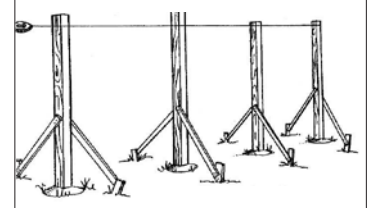
Follow the steps above to install other posts.

Recheck plumb and alignment of all posts and allow concrete to cure for 24 to 48 hours (or timeframe established in the manufacturer's instructions).

CUTTING POSTS TO PROPER HEIGHT

Measure and mark the desired post height on the post. Run a string from first post to last post at the desired height, keeping the string taut (see Fig. 3). Mark each post at the string line and cut off the tops of the posts.

Fig. 3



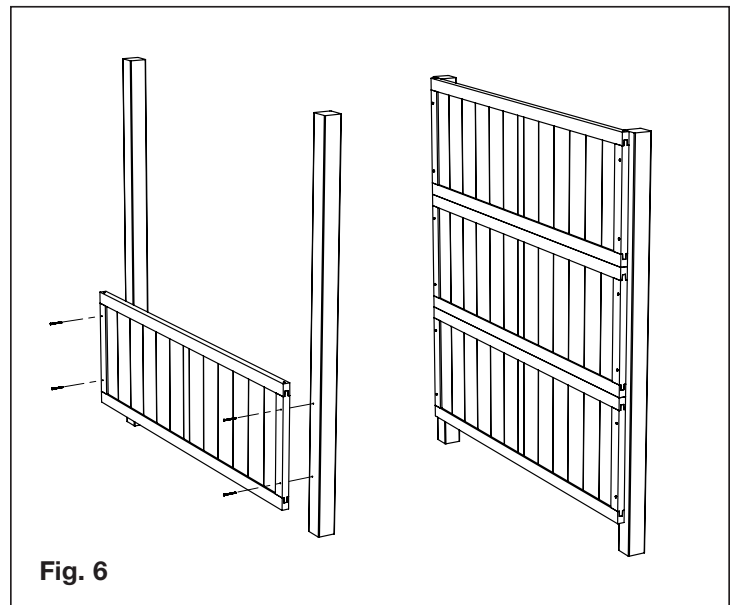
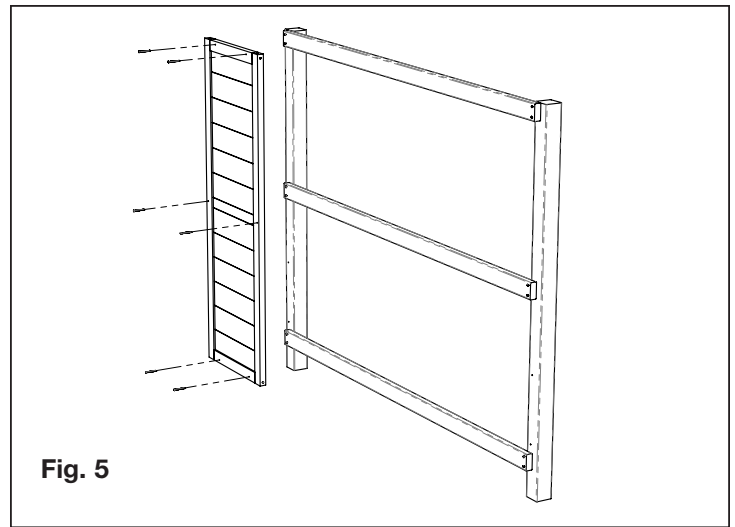
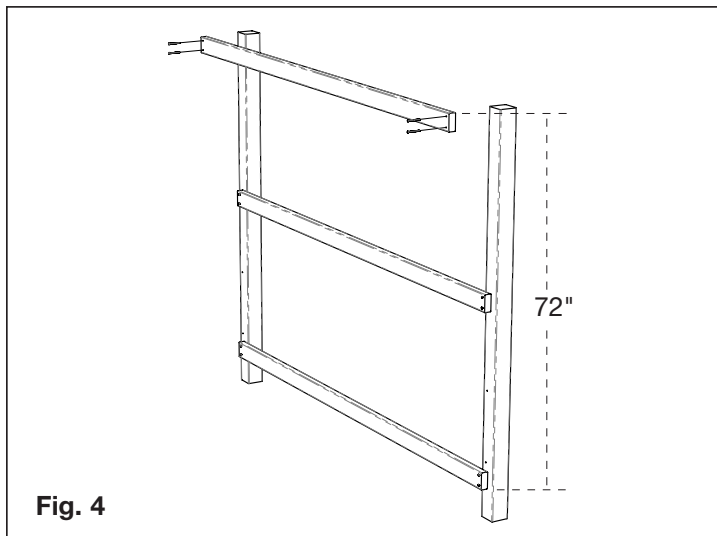
Fence Panel Construction

VERTICAL PANEL INSTALLATION (6x6 or 6x8)

- Attach backer rails to the face of the posts using 3-1/2" wood screws. We recommend using three backer rails – one at the top of the panel, one in the middle and one at the bottom. The distance from the top of the top rail to the bottom of the bottom rail should measure 72" (see Fig. 4).
- Pre-drill holes in the 2x6 panels for the screws. We recommend using six screws per panel.
- Attach the 2x6 panels to the backer rails by driving 2-1/2" wood screws through the pre-drilled holes (see Fig. 5).

HORIZONTAL PANEL INSTALLATION (4x6 or 6x6)

- Be sure the posts are set 72" on-center.
- Pre-drill holes in the 2x6 panels for the screws. We recommend using four screws per panel.
- Attach the 2x6 panels to the face of the posts by driving 2-1/2" wood screws through the pre-drilled holes (see Fig. 6).



Care and Maintenance

COMMON MAINTENANCE CONCERNS

The continuous changes in weather conditions are extremely harsh on your fence. Your maintenance plan must be geared to combat the problems caused by water absorption and water loss, mildew growth, and discoloration of wood due to the sun's ultraviolet rays. All of the maintenance concerns discussed below are weather-related. The degree to which your fence is affected by them depends on many factors. These factors include general climate conditions (such as normal precipitation, humidity, etc.) and location in your yard (with regard to direct sun exposure, foliage coverage, etc.). If your fence is built using pressure-treated lumber, it is important to note that the pressure treatment does not increase the likelihood that your fence will develop these natural defects to any greater degree than the same material left untreated. These weather-related defects are beyond the control of the pressure treatment process.

NATURAL CHARACTERISTICS OF WOOD

We cannot control the occurrence of the natural characteristics of the wood, which may include raised grain, splitting, warping, shrinking, swelling or twisting. Continuous water absorption and water loss in the wood used for your fence will cause its natural defects to surface. A well-maintained fence will still experience some of these natural defects. However, the extent can be significantly reduced through a maintenance plan.

To effectively combat these maintenance concerns, it will be up to you to follow a preventative maintenance plan.

Your initial maintenance plan should be determined by water absorption and loss, mildew growth and UV discoloration.

- **Future periodic preventative maintenance:** Depending on the location of your fence with regard to direct sun exposure, foliage, coverage, etc., it may be sufficient to clean/brighten and recoat every two years. A power washer may be necessary to properly clean your fence.

THE DIAGRAMS AND INSTRUCTIONS IN THIS BROCHURE ARE FOR ILLUSTRATION PURPOSES ONLY AND ARE NOT MEANT TO REPLACE A LICENSED PROFESSIONAL. ANY CONSTRUCTION OR USE OF THE PRODUCT MUST BE IN ACCORDANCE WITH ALL LOCAL ZONING AND/OR BUILDING CODES. THE CONSUMER ASSUMES ALL RISKS AND LIABILITY ASSOCIATED WITH THE CONSTRUCTION OR USE OF THIS PRODUCT. THE CONSUMER OR CONTRACTOR SHOULD TAKE ALL NECESSARY STEPS TO ENSURE THE SAFETY OF EVERYONE INVOLVED IN THE PROJECT, INCLUDING, BUT NOT LIMITED TO, WEARING THE APPROPRIATE SAFETY EQUIPMENT. EXCEPT AS CONTAINED IN THE WRITTEN LIMITED WARRANTY, THE WARRANTOR DOES NOT PROVIDE ANY OTHER WARRANTY, EITHER EXPRESS OR IMPLIED, AND SHALL NOT BE LIABLE FOR ANY DAMAGES, INCLUDING CONSEQUENTIAL DAMAGES.