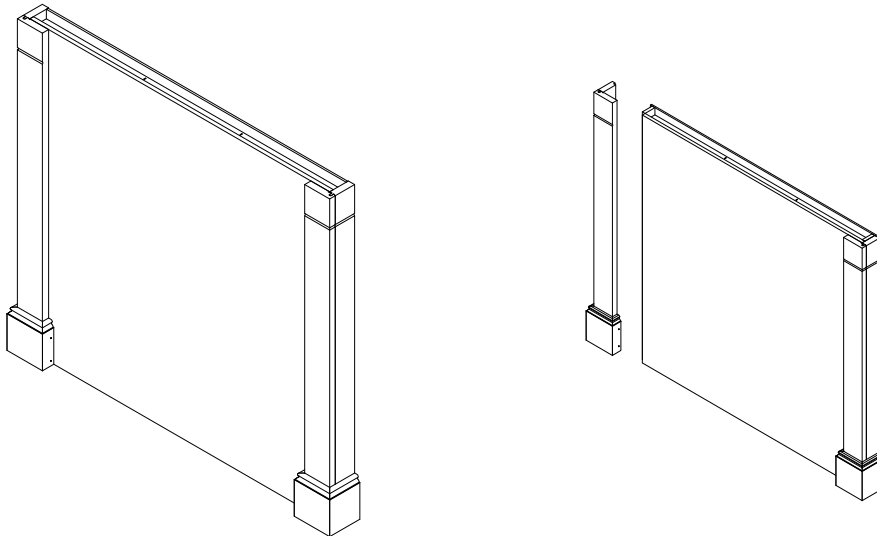


### ASSEMBLY & INSTALLATION INSTRUCTIONS

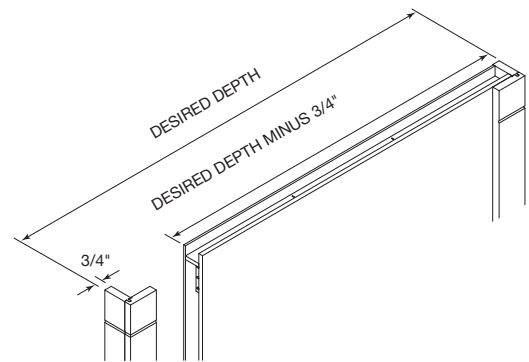


Model Number(s):

**KADPK337**

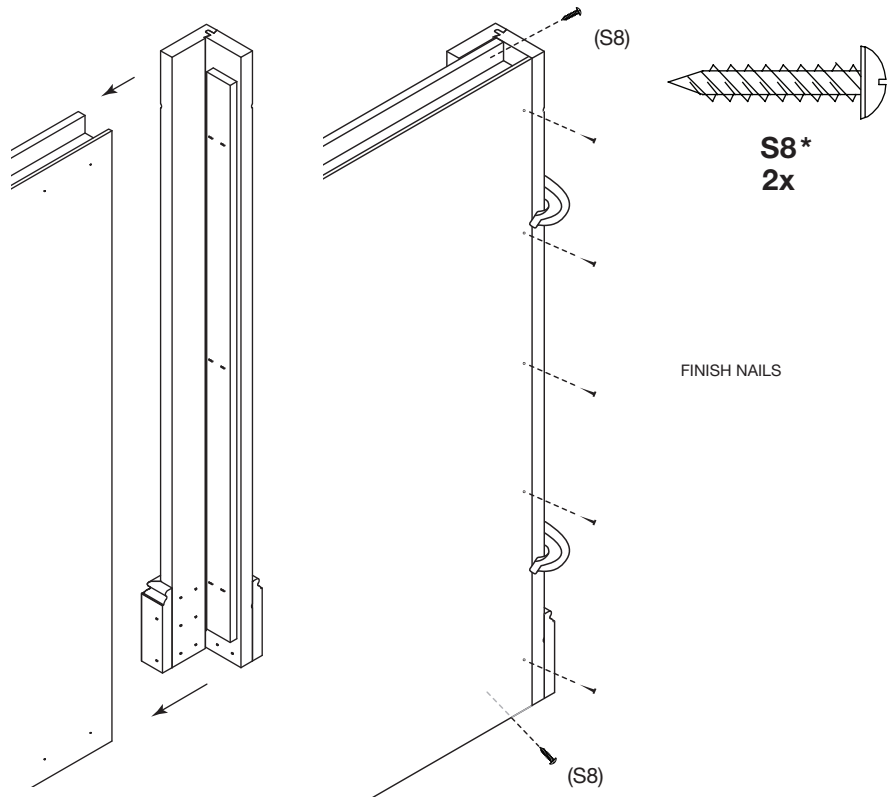
**1**

**CUTTING PANEL TO SIZE** — If a reduced depth is required, the panel can be cut to size. Measure and cut  $\frac{3}{4}$ " shorter than the desired depth to account for the thickness of the post.



**2**

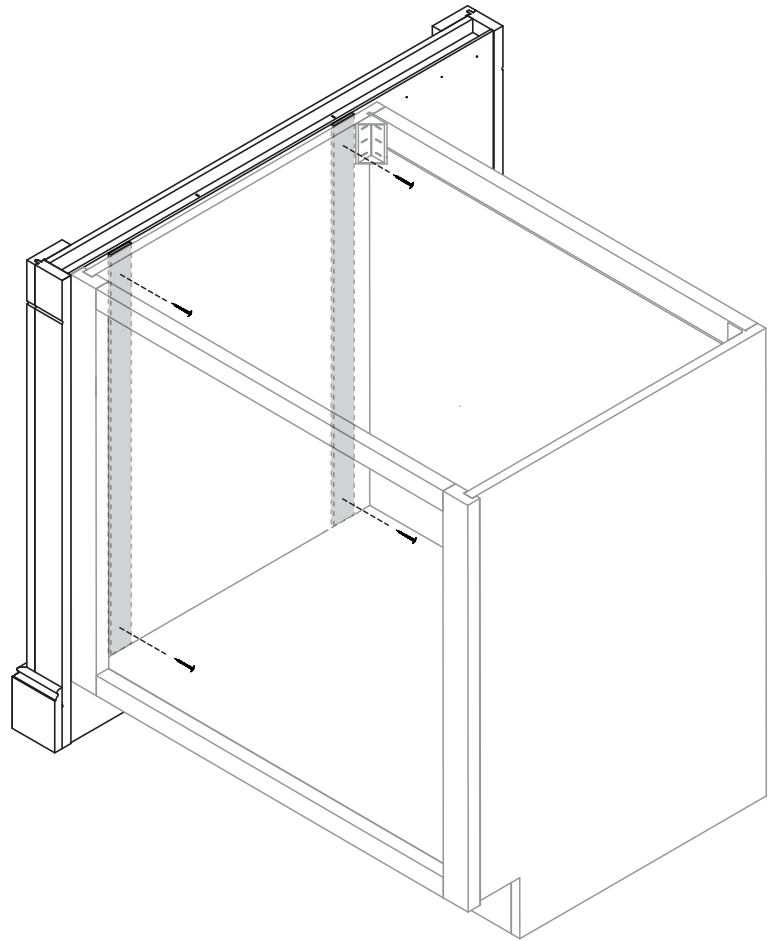
**ATTACH LEG** — Set the leg into place and temporarily clamp it to the panel. Fasten at the top and bottom with the provided screws. Use finish nails to secure it on the back side.



\*ACTUAL SIZE

# 3

INSTALLING TO A CABINET — Clamp the decorative island panel to the cabinet placing ¼" shims in between as shown. A small piece of toe kick (KATK) works well as a shim. Pre-drill through the cabinet and shims into the panel. Secure using #8 x 1½" screws.



# 4

## INSTALLING AS A PENINSULA END

1. A cleat is required that will fit under the panel. Fasten the cleat to the floor in the desired location using a fastening method appropriate for your floor type.
2. Lower the panel over the cleat and fasten in place using appropriate fasteners and adhesive.

