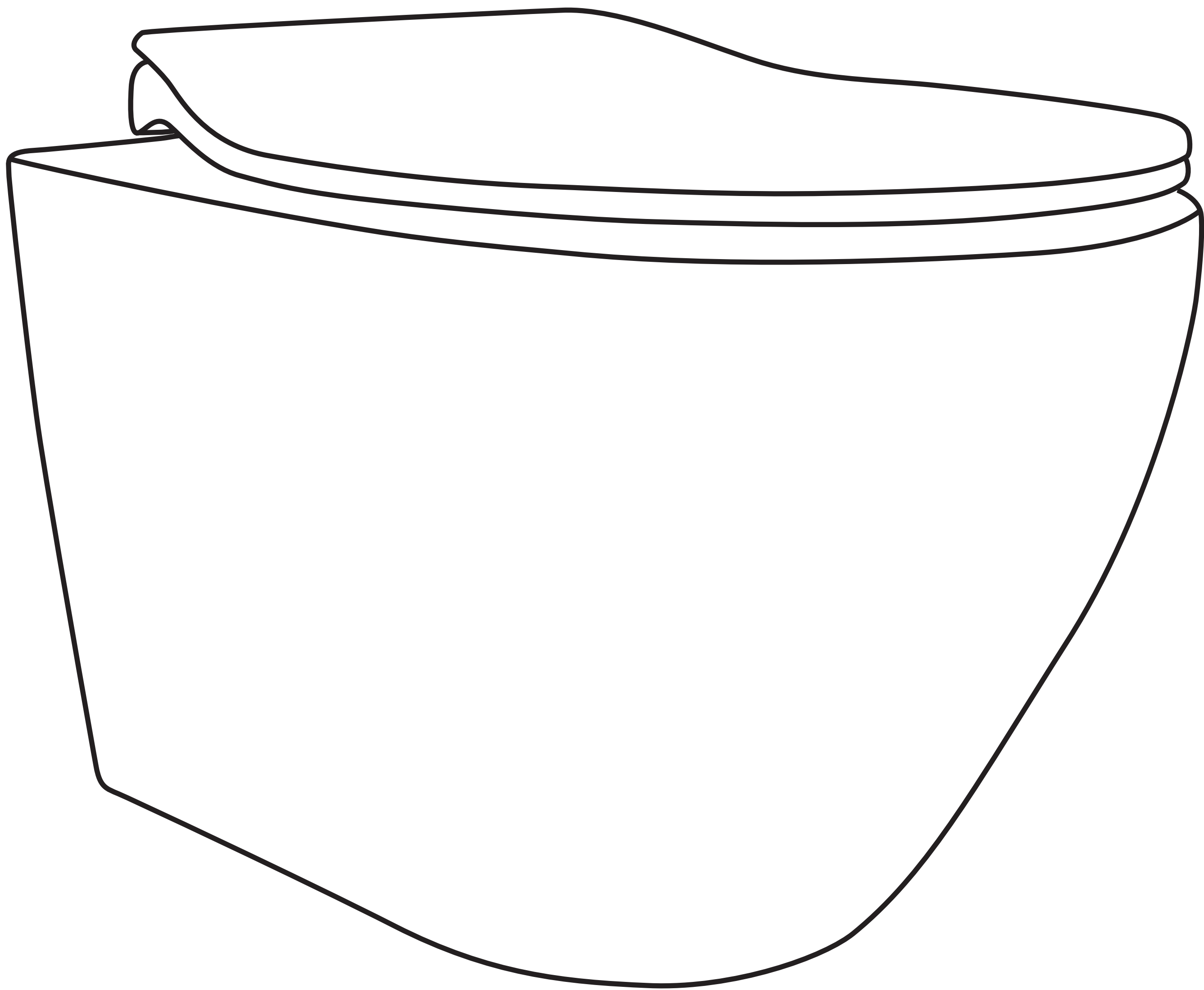


# INSTALLATION INSTRUCTIONS

DeerValley®

## Wall Hung Toilet



NOTE: Drawings may not exactly define contour of the product.



## Prior to Installation:

- Inspect toilet to ensure no damages have occurred while in shipping.
- Observe all plumbing and building codes in accordance with your state and local requirements.
- Remove old toilet.
- Make sure mounting surface is CLEAN and LEVEL.

### General Recommendations:

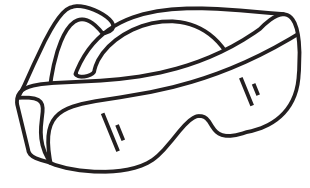
Please read installation and maintenance instructions thoroughly before installing the toilet.

Be sure to use proper tools and always wear proper personal safety accessories for your protection.

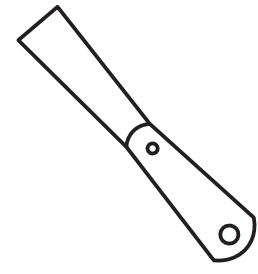
**If you have any questions or concerns  
please contact us:**

(+1) 312-626-9466  
service@deervalleybath.com

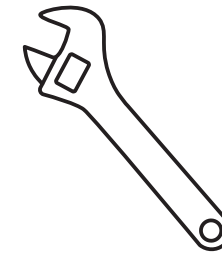
## SUGGESTED TOOLS AND MATERIALS



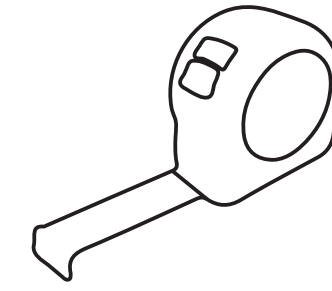
Safety Glasses



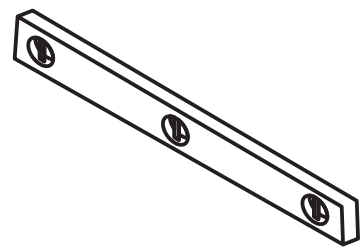
Putty Knife



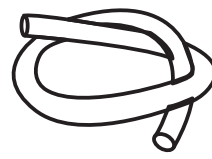
Wrench



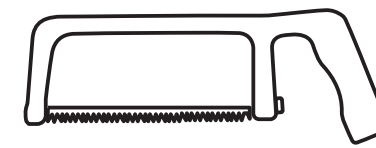
Tape Measure



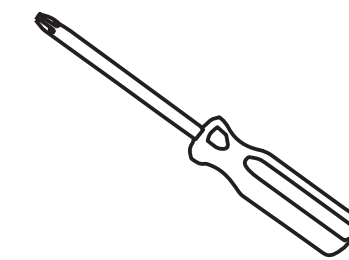
Level



Flexible Supply Tube



Hacksaw



Screwdriver

## PARTS LIST

- Wall hung toilet, soft-close toilet seat, toilet installation kit, installation instructions.

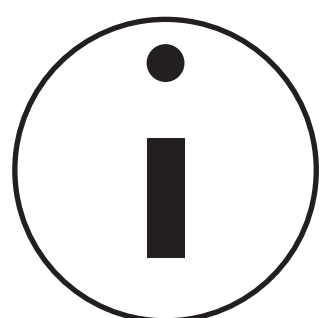
The step-by-step guidelines in the installation instructions are a general reference for installing a DeerValley Wall Hung Toilet. Should there be any discrepancies, DeerValley cannot be held liable. It is recommended to install all DeerValley Products by hiring a licensed professional.



1. Read the complete instruction manual before beginning installation.



2. Confirm that your model will fit in intended location and plumbing fixtures are located where legally required before beginning installation.



3. Not all drawings on this manual are drawn to scale. Please refer to the model chart.

4. Two people are recommended to install and move this product.

5. Product is FRAGILE! To avoid breakage and possible injury handle with care.

NOTE: Specialized tools may be necessary to install DeerValley Wall Hung Toilet.

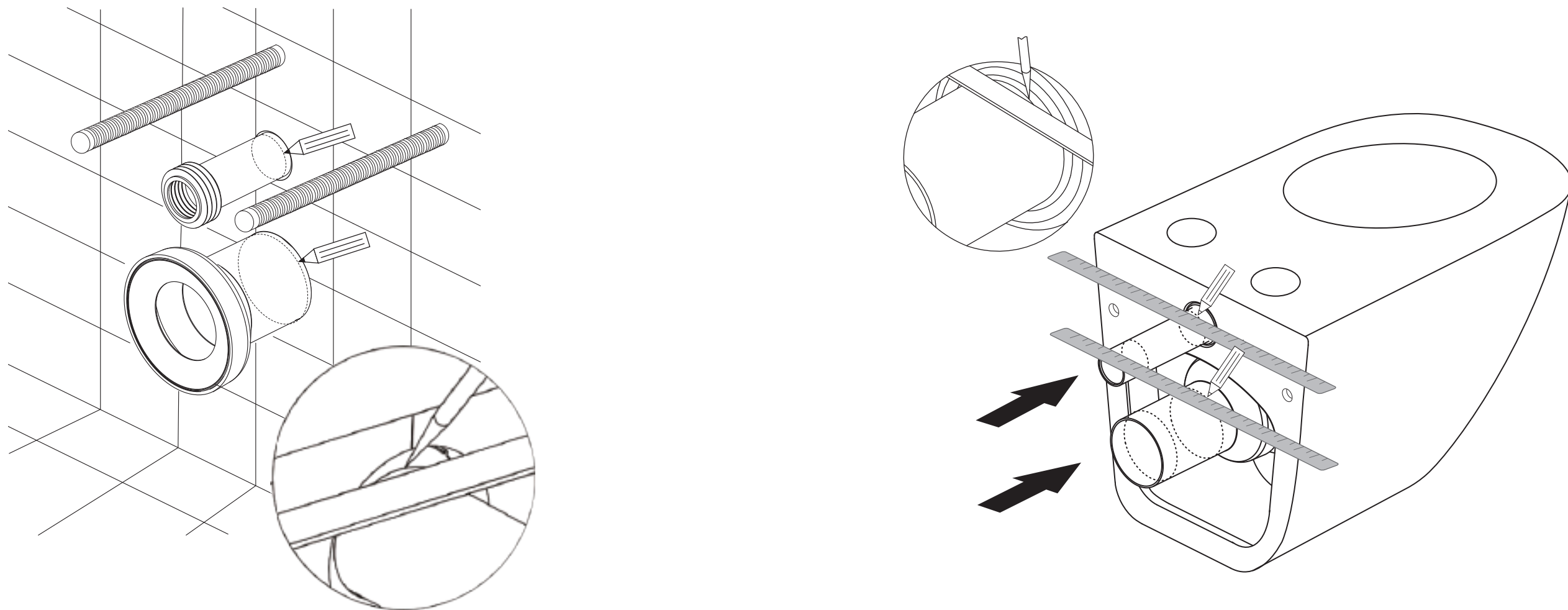
## 1. TOILET TANK CARRIER SYSTEM INSTALLATION

- The in-wall tank carrier system (**SOLD SEPARATELY**) is required to be installed before the toilet bowl installation.
- The straight pipe and the connecting pipe are included with tank carrier system (**SOLD SEPARATELY**).

## 2. TOILET INSTALLATION

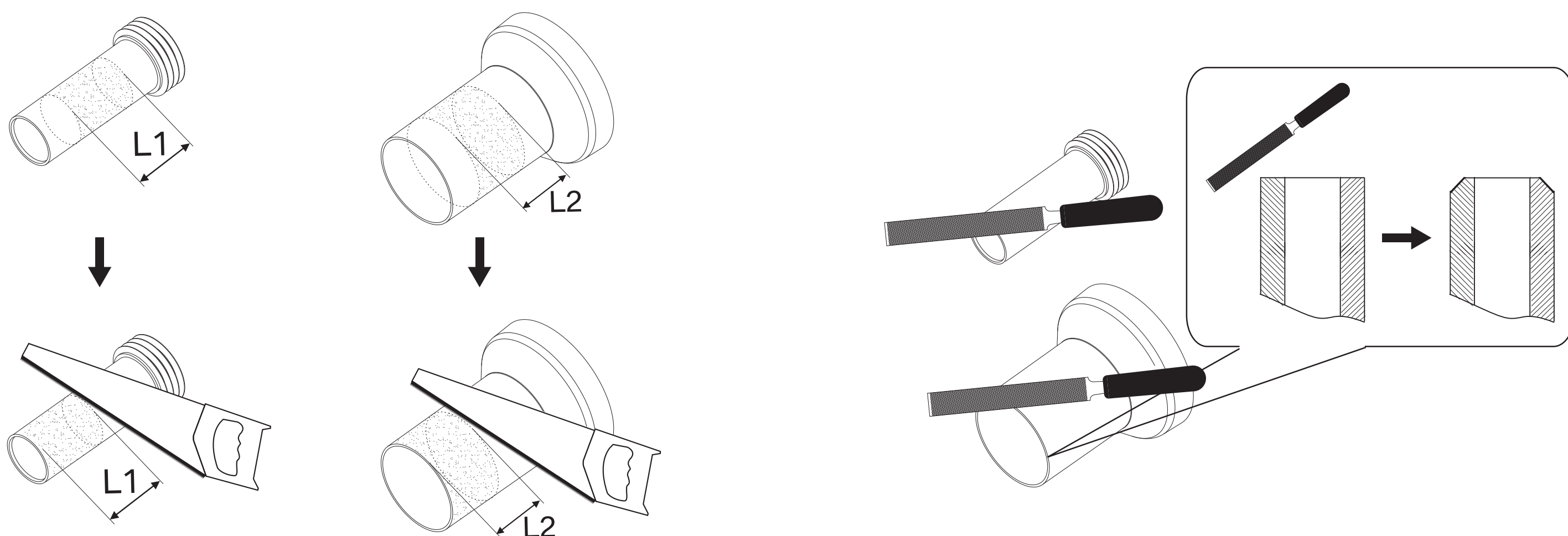
### (1) Dry Fit Outlet Pipe and Inlet Pipe

- Firmly insert the straight pipe into the cistern flushing outlet and then insert the connecting pipe into the discharge outlet on the wall. Draw lines to mark as the following picture shows.
- Apply lubricant on the straight pipe and the connecting pipe and then fully insert these two pipes into the toilet bowl. Draw lines to mark as the following picture shows.



### (2) Cut the Extra Length of the Pipe

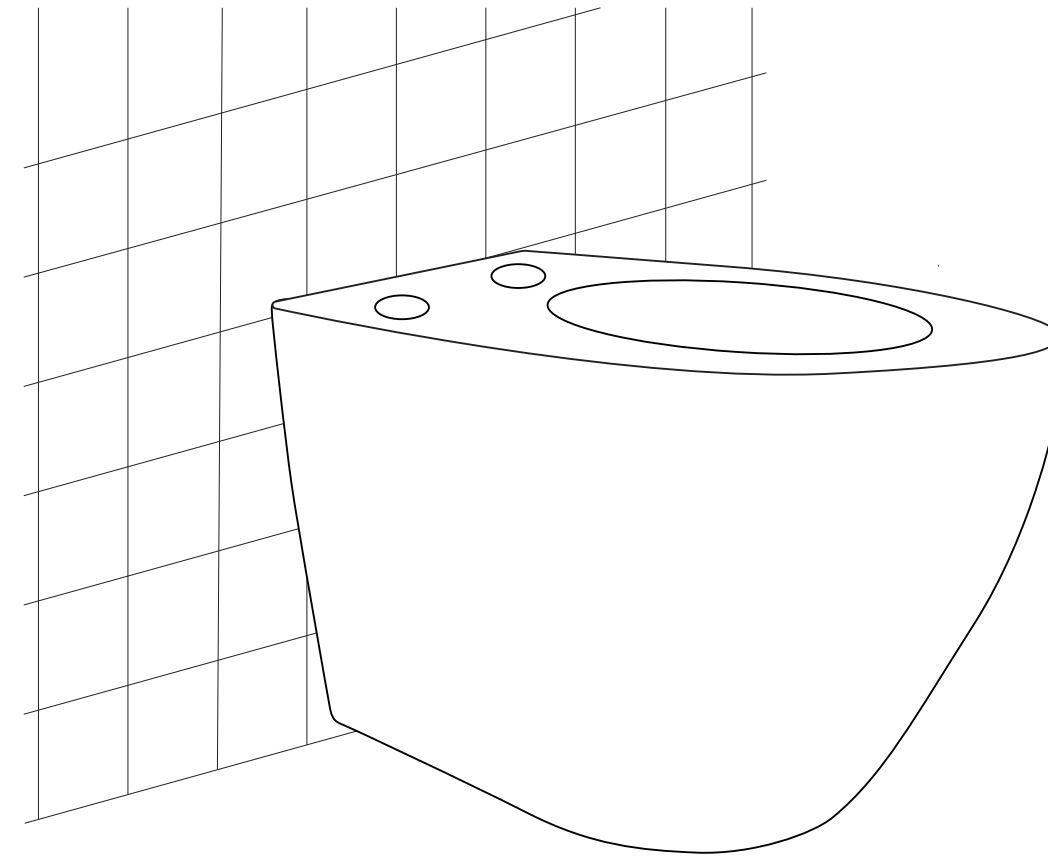
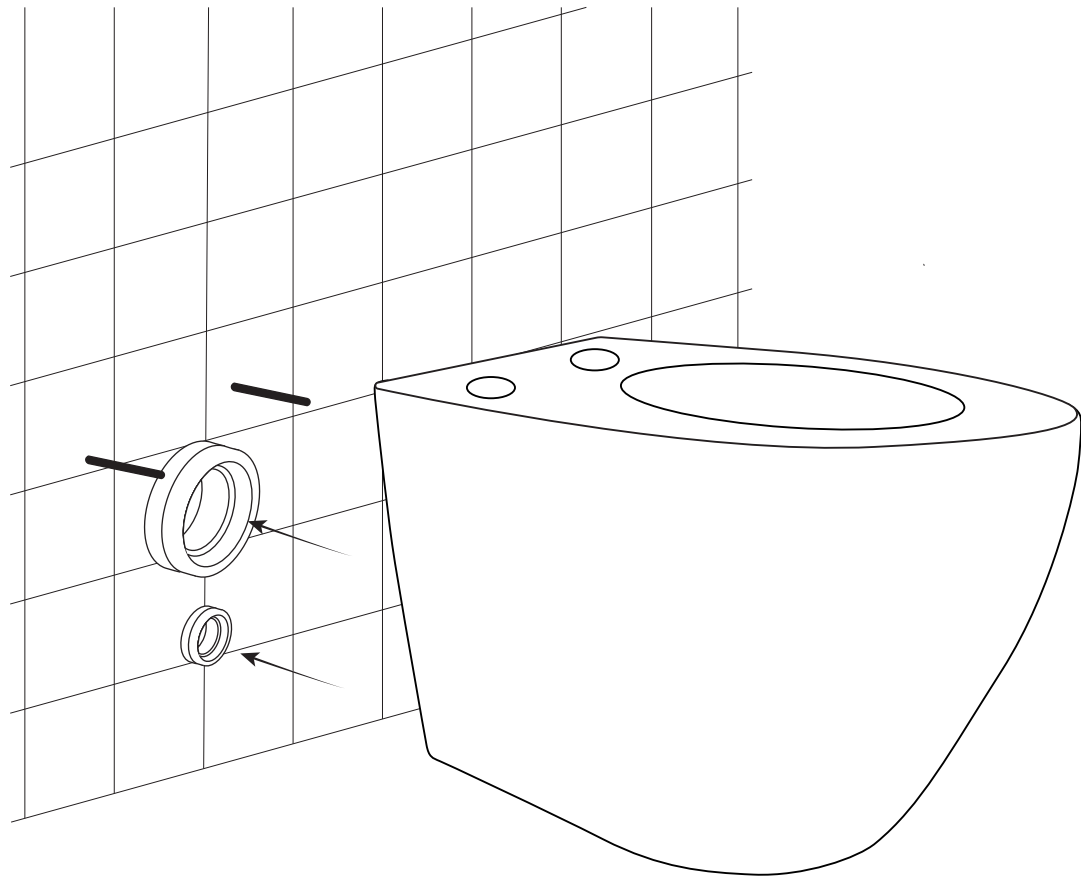
- Measure the distance between the two marks on the straight pipe and the connecting pipe.
- Take measured distance, and deduct from the bald end of the pipe and cut pipes as the following picture shows.
- After cutting, take a file and remove all burrs.  
L1: The distance from the two marks on the straight pipe.  
L2: The distance from the two marks on the connecting pipe.



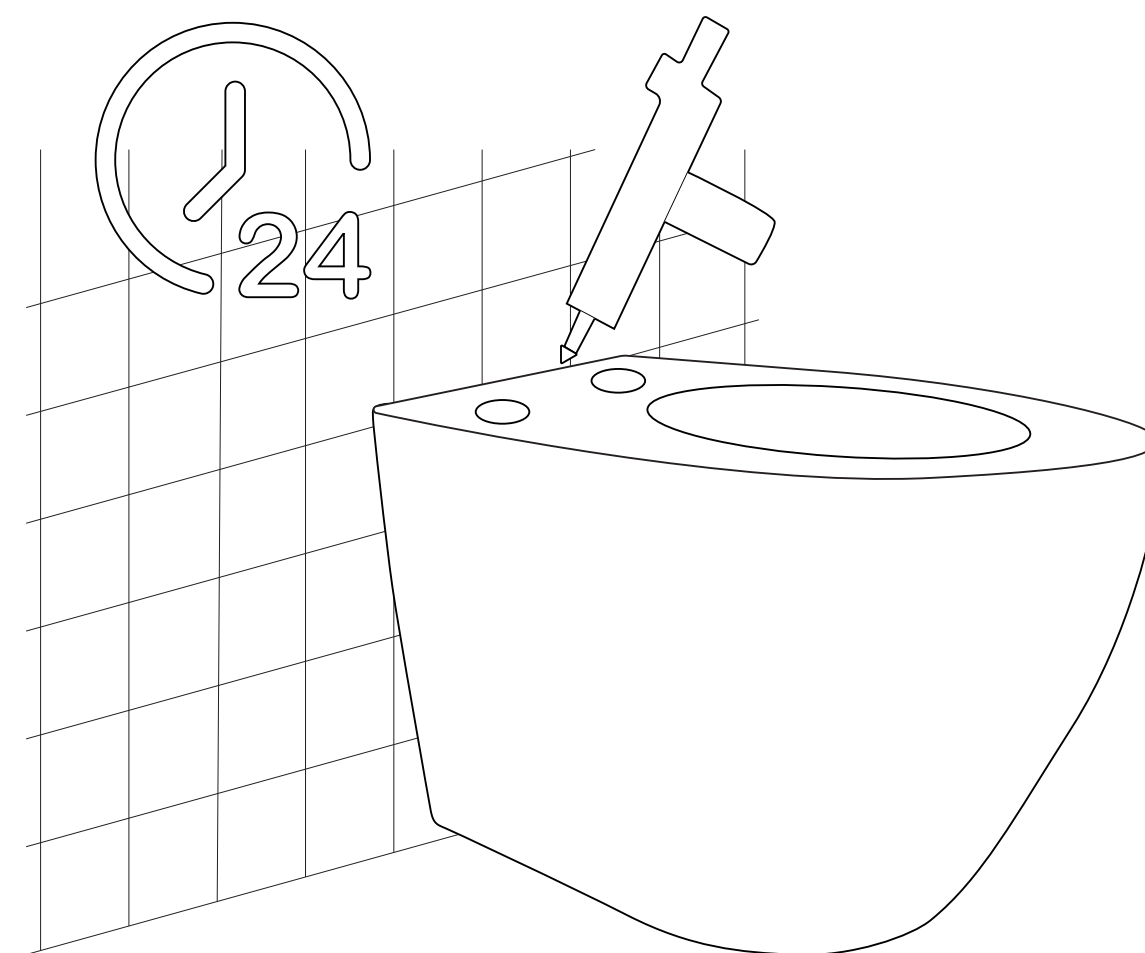
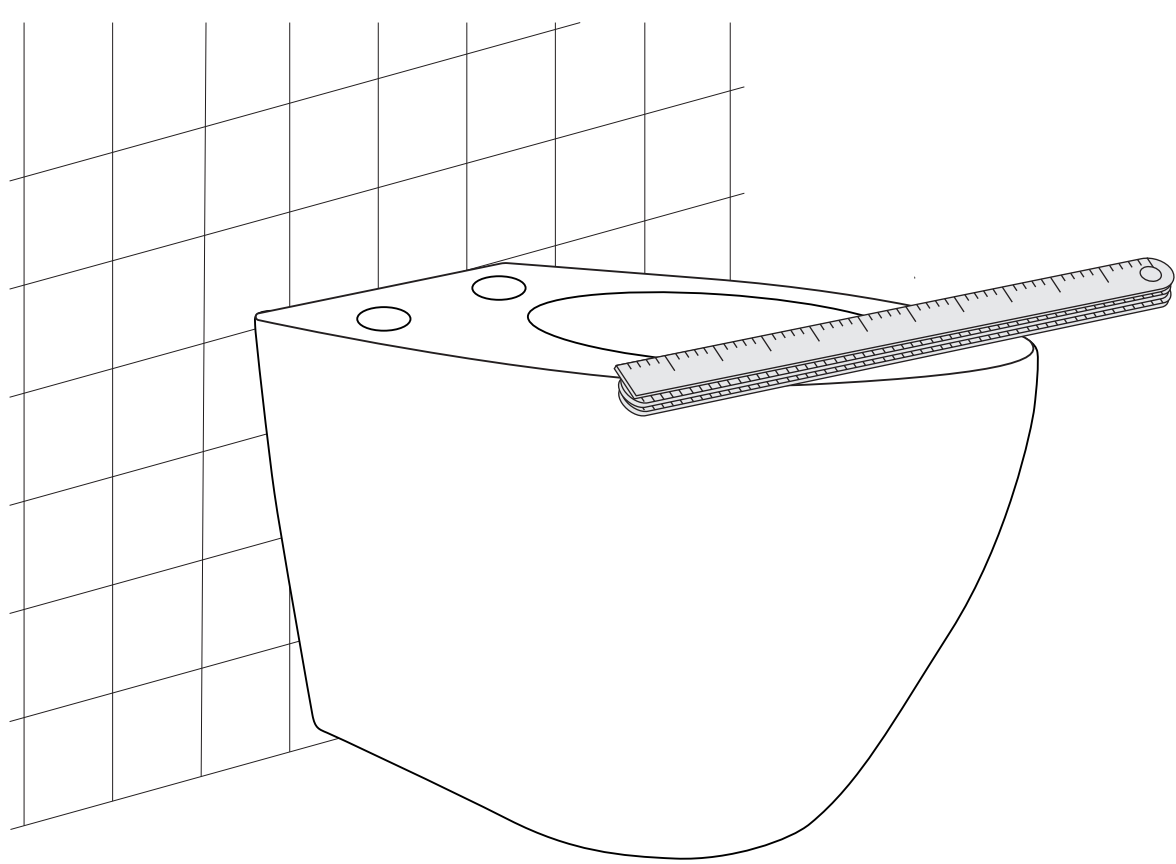
NOTE: Drawings may not exactly define contour of the product.

**(3) Install the Toilet Bowl**

- Install the straight pipe and the connecting pipe on the wall.
- Install the toilet bowl to the wall.

**(4) Level the Toilet & Apply the Sealant to Seal**

- Use a level to measure the toilet and make sure it is level.
- Fill any gaps with cement or sealant and wait for 24 hours. Do not remove the side panels for at least 24 hours after installing them. This will allow the adhesive to fully adhere to the vitreous surface.

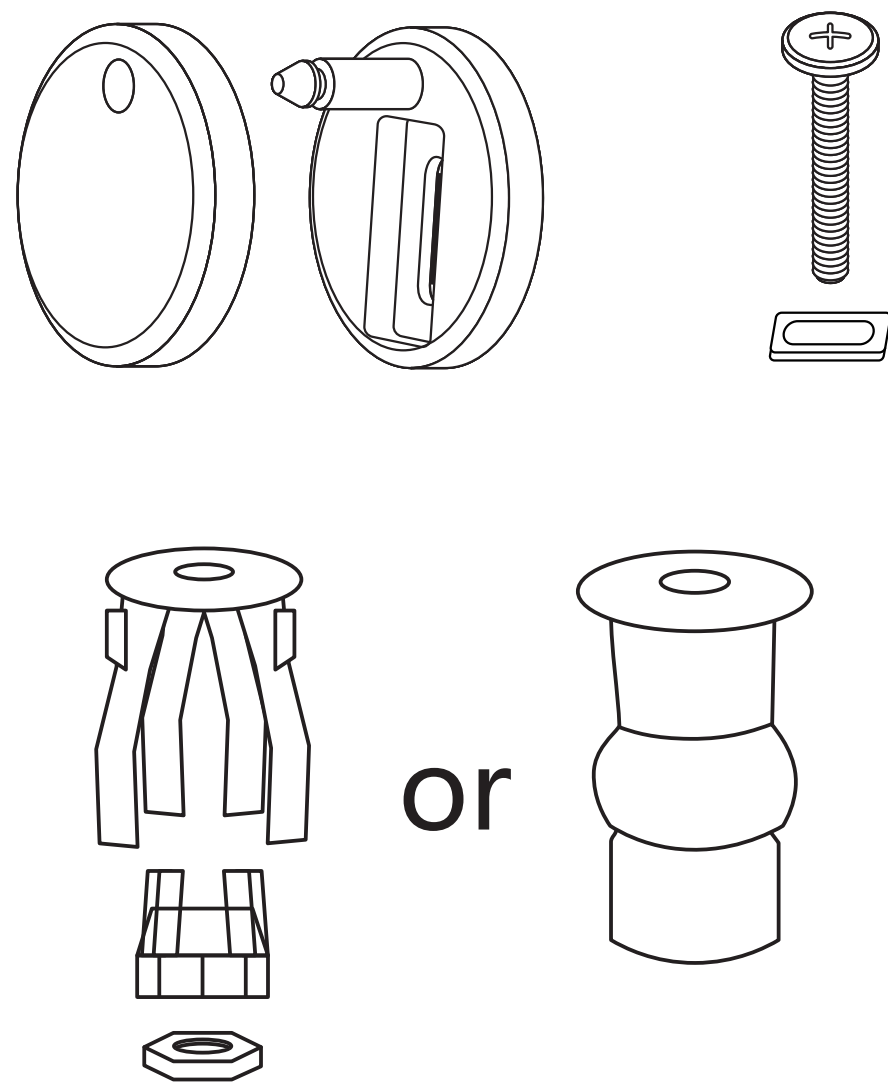


NOTE: Drawings may not exactly define contour of the product.

## 3. TOILET SEAT INSTALLATION

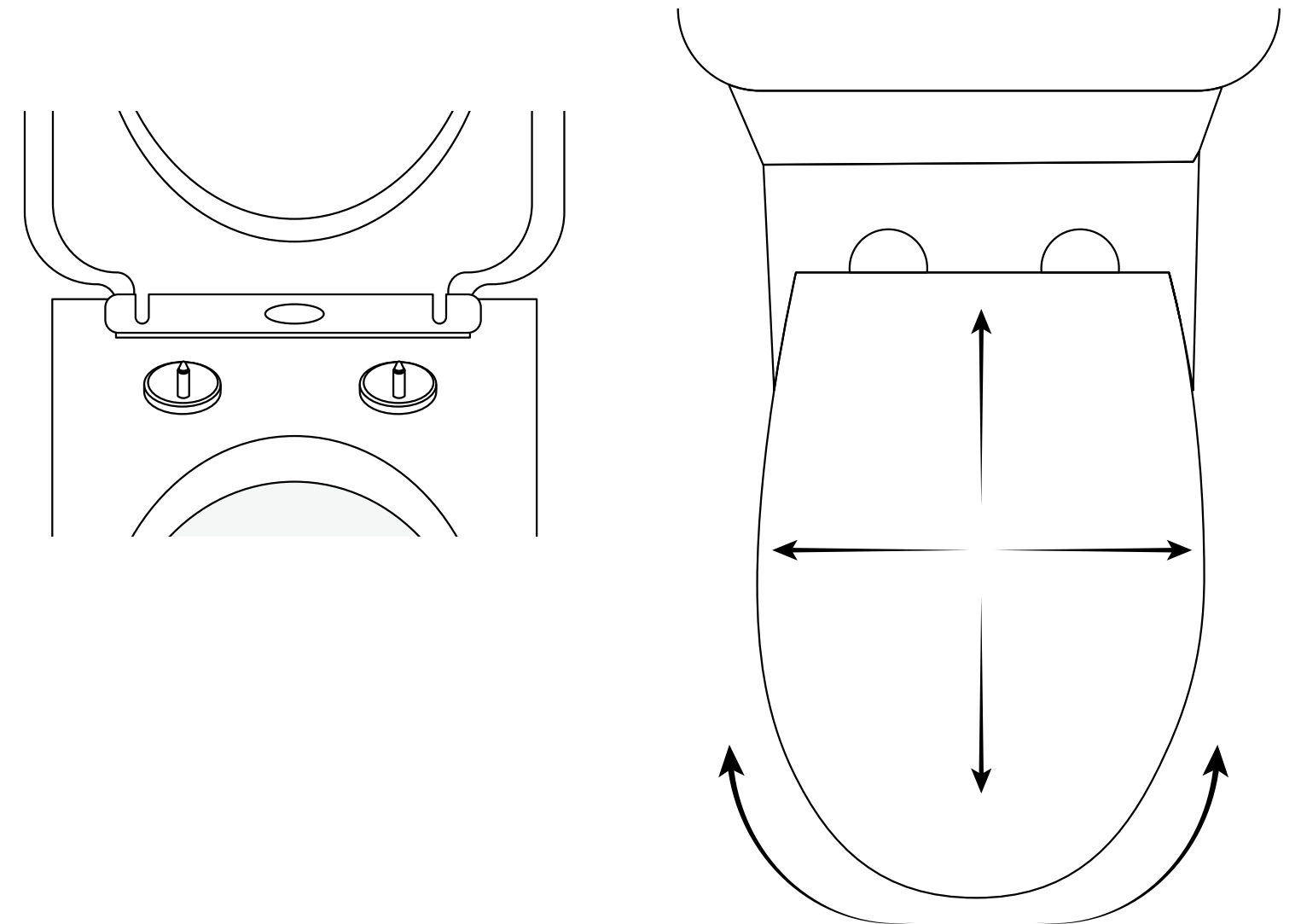
### (1) Accessories

Unwrap the toilet seat installation package.



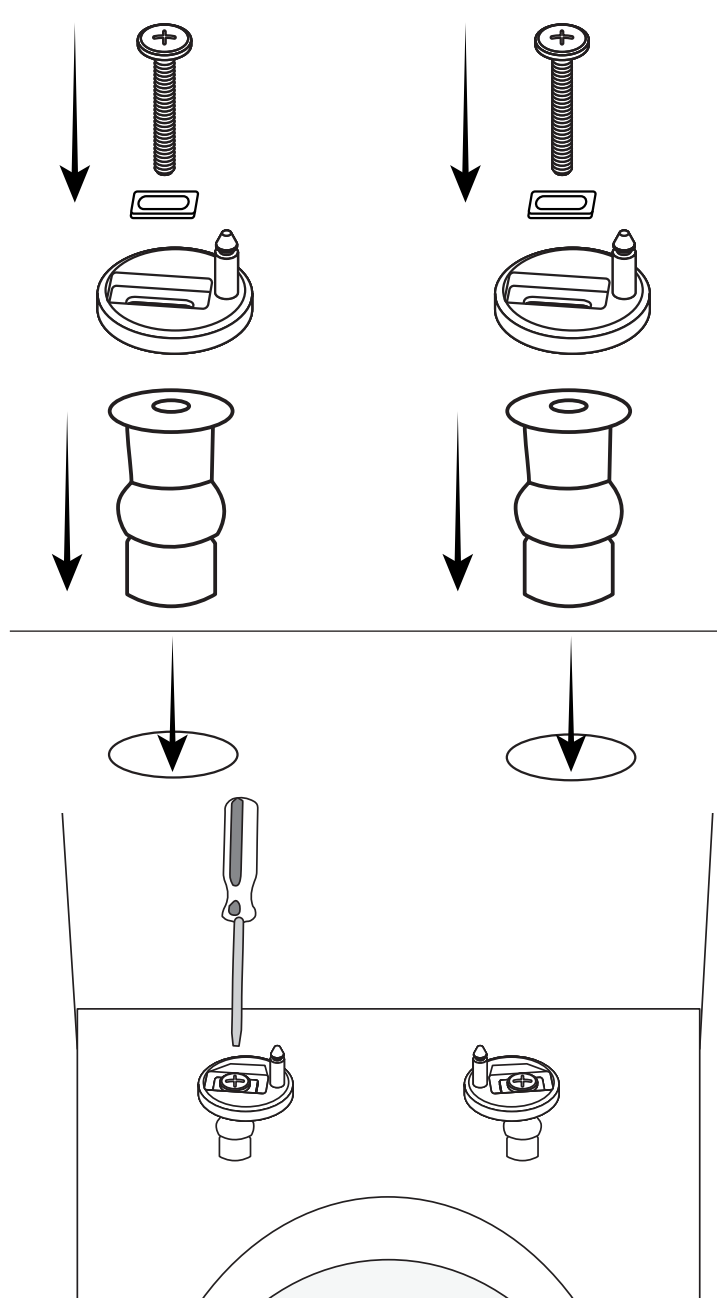
### (3) Adjust the Seat Position

Plug the toilet seat in and adjust the position properly.



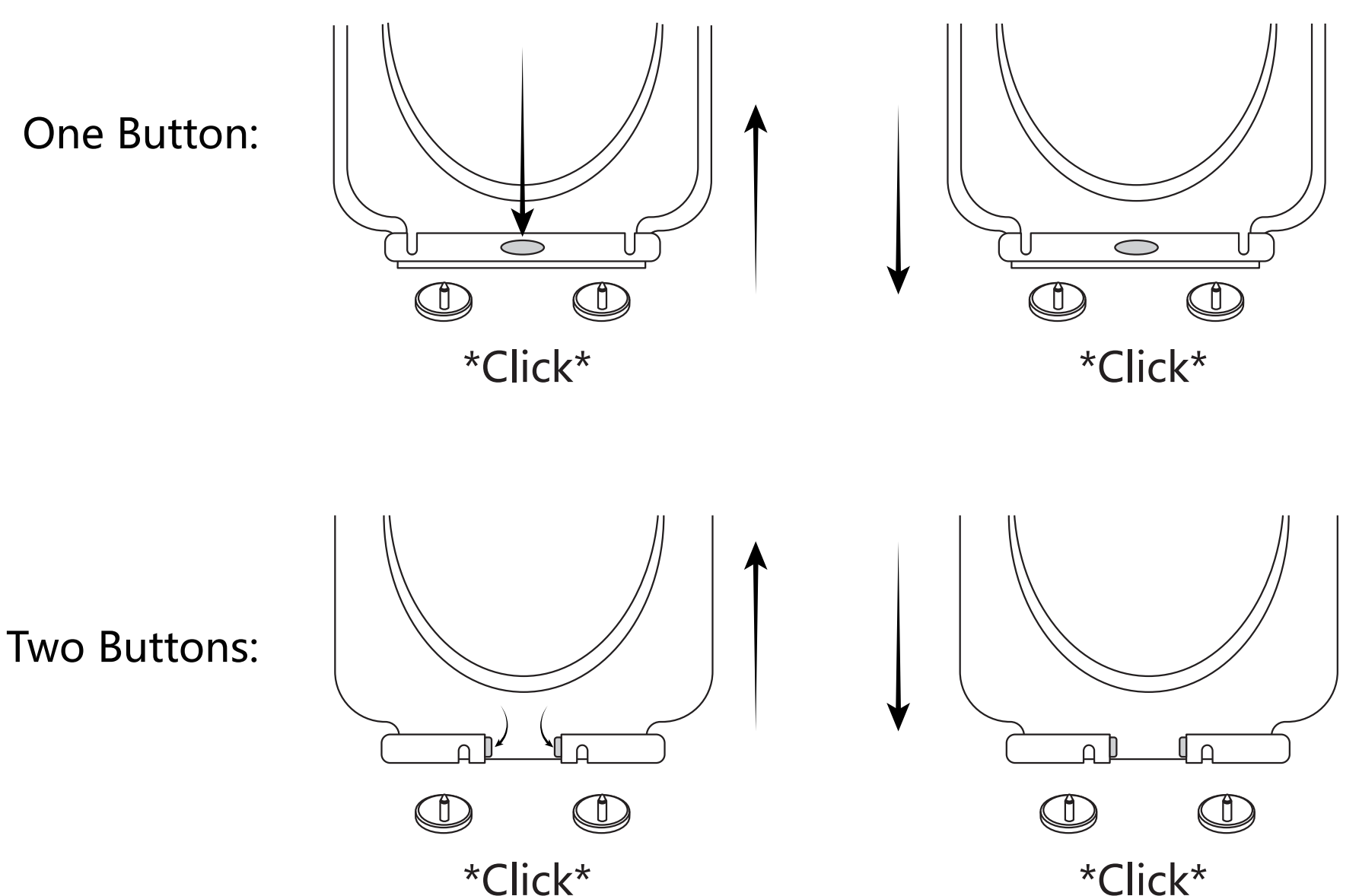
### (2) Install Accessories

Install the seat cover cap and hinge, then fasten the screws slightly and adjust the angle of the pins on the hinge.



### (4) Install the Seat

Confirm the position of the toilet seat and take it out, fasten the screws and put the hinge caps on, then install the toilet seat.



NOTE: Drawings may not exactly define contour of the product.

## LIMITED WARRANTY COVERAGE

### 1 YEAR LIMITED WARRANTY

DeerValley products are made with quality materials and excellent craftsmanship to provide the customers a long-lasting product. In the case of any defects in materials or craftsmanship under regular use were inspected in the first one year of delivery, DeerValley will provide replacement parts at no charge, or at its option, replace any product or part of the product that is deemed defective, under normal installation, use, service and maintenance. This warranty applies only to the original purchaser. Proof of purchase will be required in the case of a claim. **SCRATCHES ARE NOT COVERED UNDER WARRANTY.**

The manufacturer warrants this product to be free of manufacture defects during the above mentioned warranty time. Please keep a copy of the original invoice as proof of purchase.

DeerValley will, as its option, (1) repair or replace the defective part(s) or product(s) at no charge; (2) issue a refund of the original purchase price of the product(s) (Valid within 30 days from the date of delivery); or (3) issue a credit to be applied toward the purchase of a new DeerValley product shipping/delivery charges may apply and are in DeerValley sole discretion.

DeerValley recommends the installations to be made by a licensed, professional plumber. DeerValley will not be held responsible for any damage or product failure due to improper installation, misuse, or failure to use a licensed professional. DeerValley is not responsible for any removal or installation cost.

This limited warranty shall not apply to goods which have been subject to accident, negligence, improper installation, product abuse, product misuse, or use of cleaners containing abrasives, alcohol or other organic solvents, whether performed by a contractor, service company, or yourself, are excluded from this warranty.

DeerValley responsibility under this limited warranty is limited to only to replacement parts and no other costs. DeerValley will not be responsible for labor charges and/or damage incurred by installation, repair or replacement, nor for any indirect incidental or consequential damages, losses, injury or costs of any nature relating to this product Except as provided by law, this limited warranty is in lieu of and excludes all other warranties, conditions, and guarantees, whether expressed or implied, statutory or otherwise, including without restriction those merchantability of fitness for use.

### RESPONSIBILITIES OF OTHERS

Inspecting the unit prior to installation is the responsibility of the installer or building contractor who acts on behalf of the user. They are responsible for ensuring the unit is free of defect or damage.

Notices are placed on and in the unit and on the shipping carton advising the installer of this responsibility.

In the event of a problem, the unit must not be installed. DeerValley is not responsible for failures or damage that could have been discovered, repaired, or avoided by proper inspection and testing prior to installation.

Damage occurring in transit is the responsibility of the carrier. The user or installer **MUST** open the crate and inspect the unit for damage when it is delivered. If damage is discovered, it must be reported immediately to the seller and the carrier in writing, and an inspection requested. Failure of the carrier to respond should be reported to the seller and the carrier. Your freight claims should be filed promptly thereafter.

### LIMITATIONS AND EXCLUSIONS

This warranty does not cover instances of negligence, misuse, abuse, improper installation, carelessness, accident, hard water or mineral deposits, exposure to corrosive materials, misapplication, damages caused by improper maintenance, alteration of the product, or failure to follow care or installation instructions enclosed with your product. This warranty is void if the DeerValley is subject to alteration, or if repairs are attempted by anyone other than an authorized agent of DeerValley. This warranty does not extend to plumbing or components installed by dealers, installers or by any party other DeerValley.

DeerValley will not be liable for loss of use of the DeerValley inconvenience, or any other incidental or consequential costs, expense or damages. Please note that some states do not allow the exclusion or limitation of incidental damages.

### DISCLAIMER

Except as expressly provided, there shall be no warranty or obligation, express or implied, oral or statutory. No dealer or other person has the authority to make any warranties or representations concerning DeerValley or its products. In no event shall DeerValley be held responsible for any such warranties or representations.

### WARRANTY SERVICE

NOTE: When requesting warranty, be sure to have the following:

- Copy of original invoice
- Date of installation
- Description and pictures of defect
- Model number or description of model

To obtain warranty service and replacement part, please contact DeerValley Customer Service. DeerValley will determine whether to repair or replace your product, issue a refund, or issue a credit.