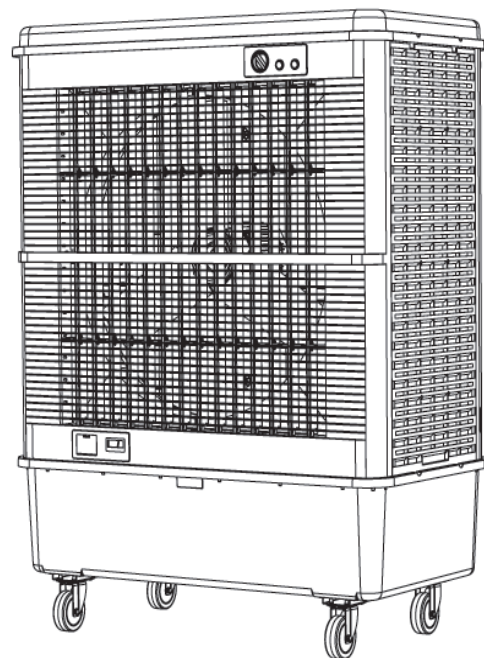


MOBILE EVAPORATIVE COOLER MFC18000



1 Safety Rules

IN ORDER TO REDUCE THE POSSIBILITY OF FIRES, SHOCK OR PERSONAL INJURY:

- Unit must be in off position and unplugged from power receptacle when performing maintenance.
- To reduce the risk of electrical shock, plug unit into a properly grounded receptacle.
- To reduce the risk of electrical shock, install only on a circuit protected with a ground fault circuit interrupter (GFCI).
- This appliance is not intended for use by persons (including children) with reduced physical, sensory or mental capabilities, or lack of experience and knowledge, unless they have been given supervision or instruction concerning use of appliance by a person responsible for their safety.
- Do not operate any cooler with a damaged cord or plug. Discard the cooler or return to an authorized for examination and/or repair.
- Do not run cord under carpeting. Do not cover cord with throw rugs, runners, or similar coverings. Do not route cord under furniture or appliances. Arrange cord away from traffic area and where it will not be tripped over.

WARNING: To reduce the risk of electrical fire or shock, do not use this fan with any "solid-state fan speed control device."

2 Location

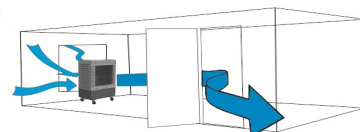
KEY OPERATIONAL POINTS

- Your cooler must be positioned in front of an open window or door in order to operate effectively.
- Always ensure there is another open window or door through which the air can exhaust from the room.
- Ensure the media is kept clean throughout the summer season.
- At the end of each day, run your cooler on FAN ONLY for 30 minutes to dry out the media.
- Prior to storing your cooler in the off season:
 - Drain the tank and wipe clean
 - Clean the media.
 - Reassemble and run the fan for 30 minutes to dry out the media.

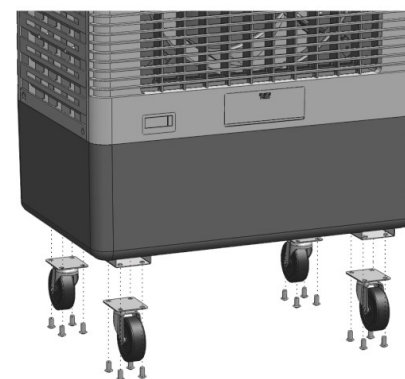
LOCATION! LOCATION! LOCATION!

Having completed the assembly of your cooler, position the unit with the back side to an open window or door. This will allow fresh air to be drawn through the cooler and exhausted from the room. Constant air change is essential and part of the fresh air benefit from evaporative cooling.

Remember, your cooler has been designed to operate even if it runs out of water. No damage will be caused to the pump if your cooler runs out of water.



3 Casters Assembly

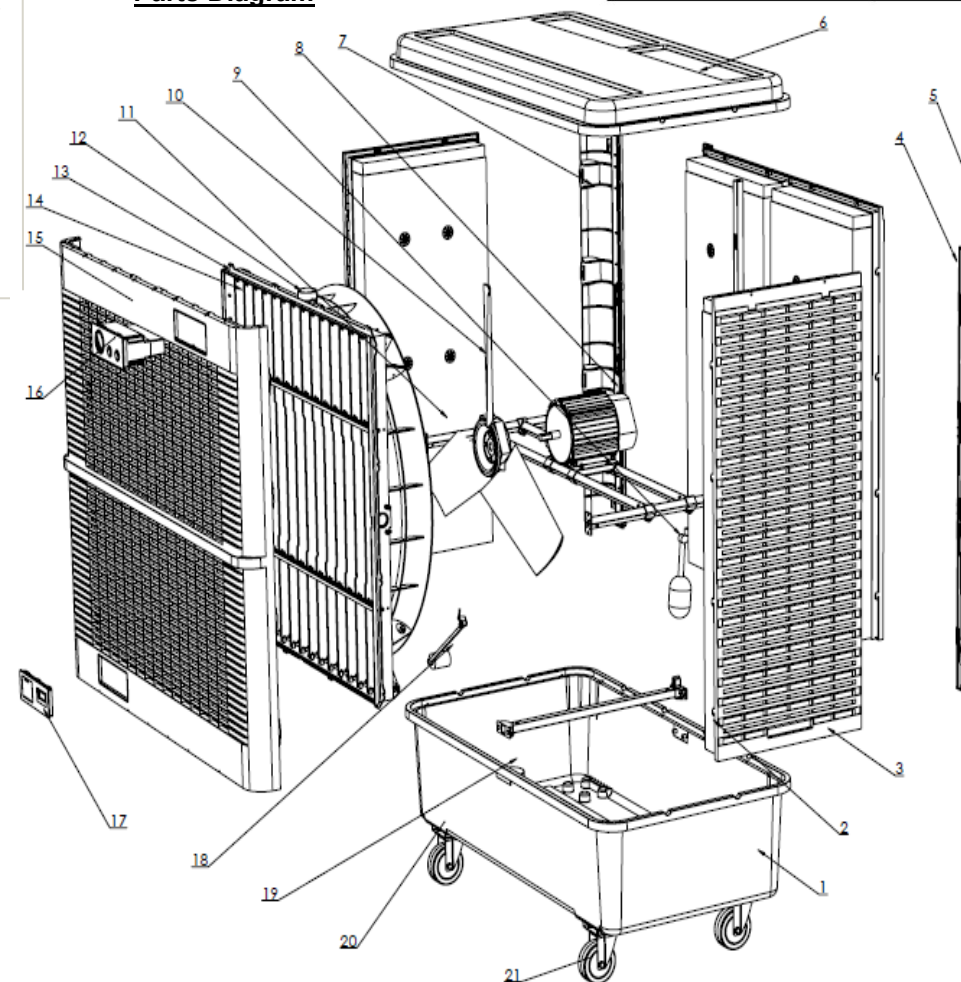


Remove the 4 casters and all 16 screws. Using the screws provided, attach the casters to the bottom caster plates. Move cooler about to verify smooth rolling operation.

Trouble Shooting

Problem:	Cause/Remedy:
1. Cooler fails to work at all	1.1 Check that the unit is plugged properly.
	1.2 Check the POWER switch, push it to "ON"
2. Cooler does not pump	2.1 Pump is not activated. Turn the PUMP switch to "ON",
	2.2 water level is low. Fill with water and make sure pump is activated.
	2.3 Pump may be defective. Replace pump.
3. Fan does not operate	3.1 Check that unit is plugged properly
	3.2 Check the POWER switch, push it to "ON"
	3.3 If connected to a GFCI outlet, check if it is tripped.
4. Louver does not operate	4.1 Louver does not move. Louver switch. position to "ON"
5. Water leakage	5.1 Check the cap of the drain assembly, make sure it tightened.

Parts Diagram



No.	Part Name	Part #
1	water tank	
2	rigid media	1800053
3	media panel	1800004
4	right pillar	
5	wire holder	
6	top cover	
7	left pillar	
8	motor	1800051
9	float valve	0200058
10	fan blade	1800052
11	motor bracket	
12	oscillator motor	1800057
13	venturi	
14	oscillator rib	
15	grill	
16	control box	
17	water fill door	
18	water level indicator	1800017
19	water pump	1800050
20	caster bracket	
21a	caster non-locking	1800061
21b	caster locking	1800062
	drain assembly	0200063

4 Cooler Operation

A. Filling Water

Option 1: Open water filler door and fill with water until the "full" graphic appears in the water level indicator window.

Option 2: Connect garden hose to hose adapter. This unit is equipped with a float valve and will seal the water off once the tank is full.

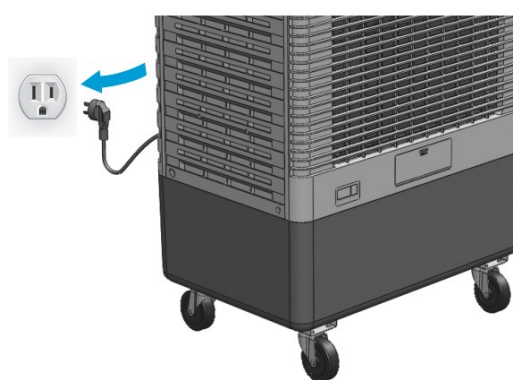


Option 1

Option 2:
Using garden hose

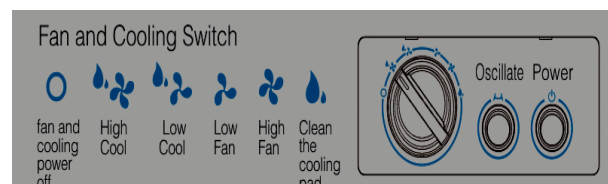


B. Connect to power source: GFCI Protected Only



NOTICE: This product may temporarily produce an "odd odor" when first turned on. This is normal and will dissipate after a few hours.

C. Select Cooling Mode



Cooler Maintenance

WARNING: Disconnect from power supply

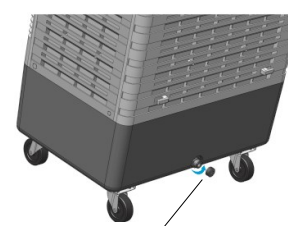
A. Disassemble the back panel



Remove the screws from the back panel. Next, pull the back panel up.

Pull out the bottom of the back panel, then pull panel down to remove.

B. Drain the water tank



Drain Plug

Remove the drain plug. Lean the cooler back and let the water drain out. Use caution not to let the cooler fall over.

Pump Information:

Pump may need to be primed for 5 to 10 minutes if water isn't immediately noticed on the media.

To Remove Pump: **DISCONNECT COOLER FROM POWER SOURCE**

- Remove rear panel same as normal maintenance
- Remove screws holding pump to inside of housing
- Remove distribution hose from pump outlet
- Unwire power cord going to pump. Label wires for easier re-installation.

Tech Support:
602.251.2003