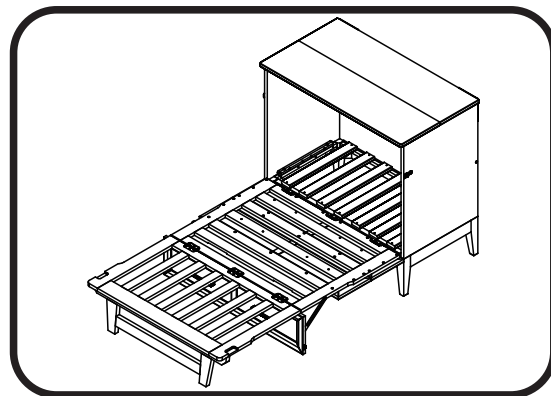
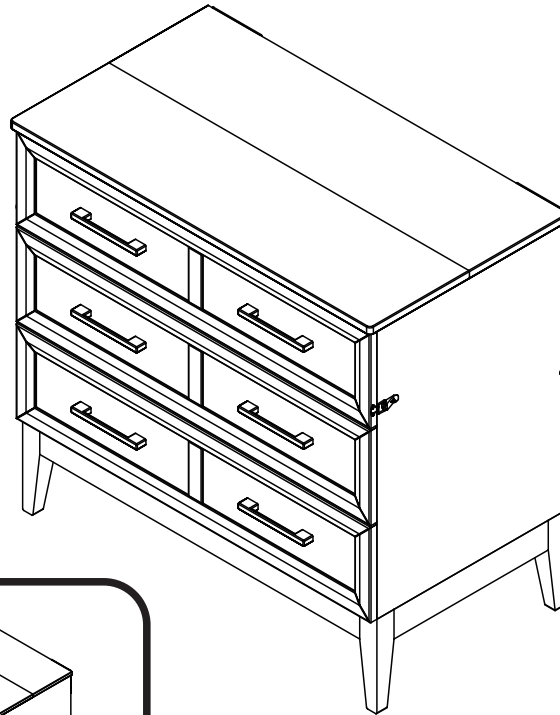


## TWIN

### ASSEMBLY INSTRUCTIONS

Before assembling your murphy bed, please read through these instructions carefully and familiarize yourself with the different parts.

**ATTENTION!** If you receive a damaged or defective item, please contact afifurnishings at customerservice@afifurnishings.com or 1-800-955-3726



CODE	ITEM
MB-PD-SAN	C-7721X
MB-BL-SAN	C-7722X

**PO :**

### HARDWARE

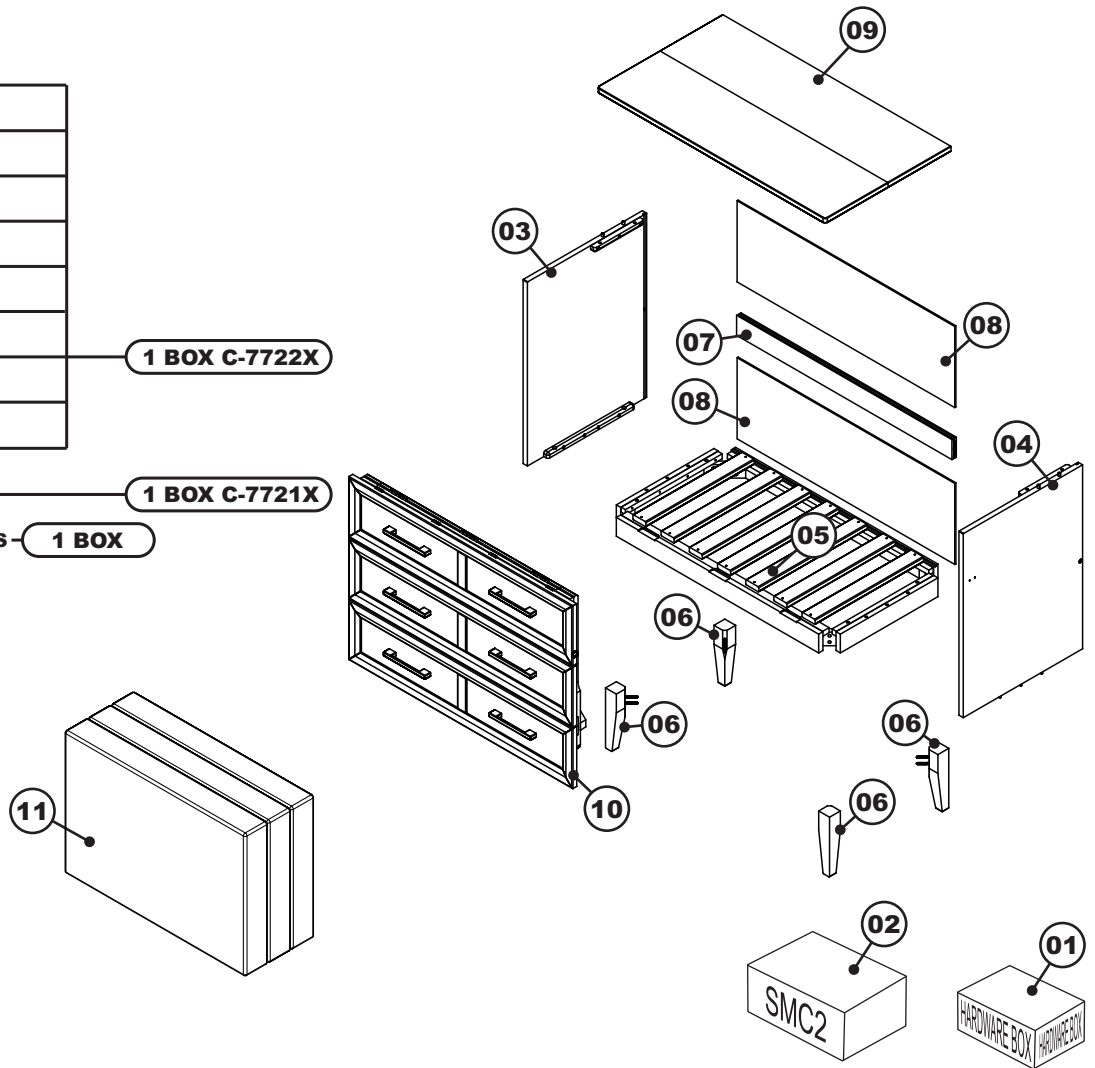
NOTE: WE INCLUDE SPARE HARDWARE IN CASE DAMAGE OCCURS DURING ASSEMBLY.

- A** JCB M6 X 30mm (1 1/4") - 8 pcs  
Spare - 1 pc
- B** JCB M6 X 55mm (2 1/8") - 2 pcs  
Spare - 1 pc
- C** Wood screw 1" - 17 pcs  
Spare - 2 pcs
- D** Flat Washer - 8 pcs  
Spare - 2 pcs
- E** Hexagon Nut - 8 pcs  
Spare - 1 pc
- F** Barrel Nut - 2 pcs
- G** Hexagon wrench - 1 pc
- H** Spring clip set with screw - 2 pcs
- I** Triangle Bracket - 2 pcs
- J** Surface Mount Charger 2 - 1 set  
Screw 1/2" - 2 pcs  
Spare - 1 pc
- K** Allen wrench - 1 pc  
Spare - 1 pc

TWIN

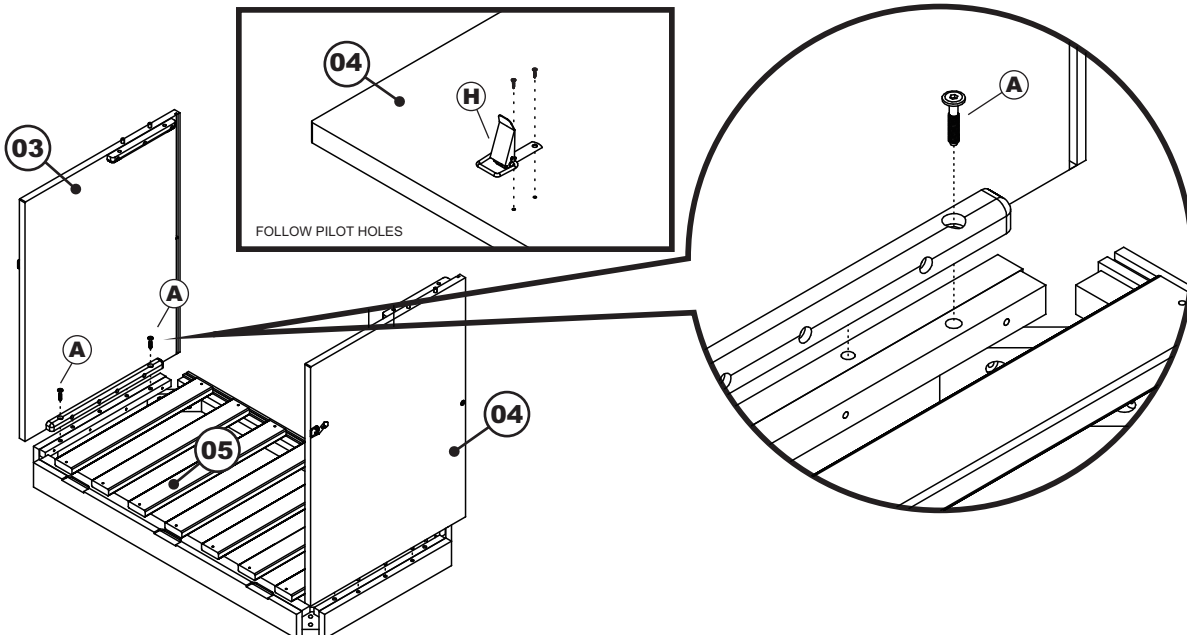
PARTS LIST





- 01 HARDWARE
- 02 SMC2
- 03 LEFT SIDE PANEL
- 04 RIGHT SIDE PANEL
- 05 BASE
- 06 LEG
- 07 BACK RAIL — 1 BOX C-7722X
- 08 BACK PANEL
- 09 TOP PANEL
- 10 FOLDING PANEL — 1 BOX C-7721X
- 11 FOLDING MATTRESS — 1 BOX



**STEP 1**

Install spring clip (H) set with screw to side panels (03)(04). Attach left side panel (03) and right side panel (04) to the base (05) as shown below. Use JCB (A). Tighten with Allen wrench (K)

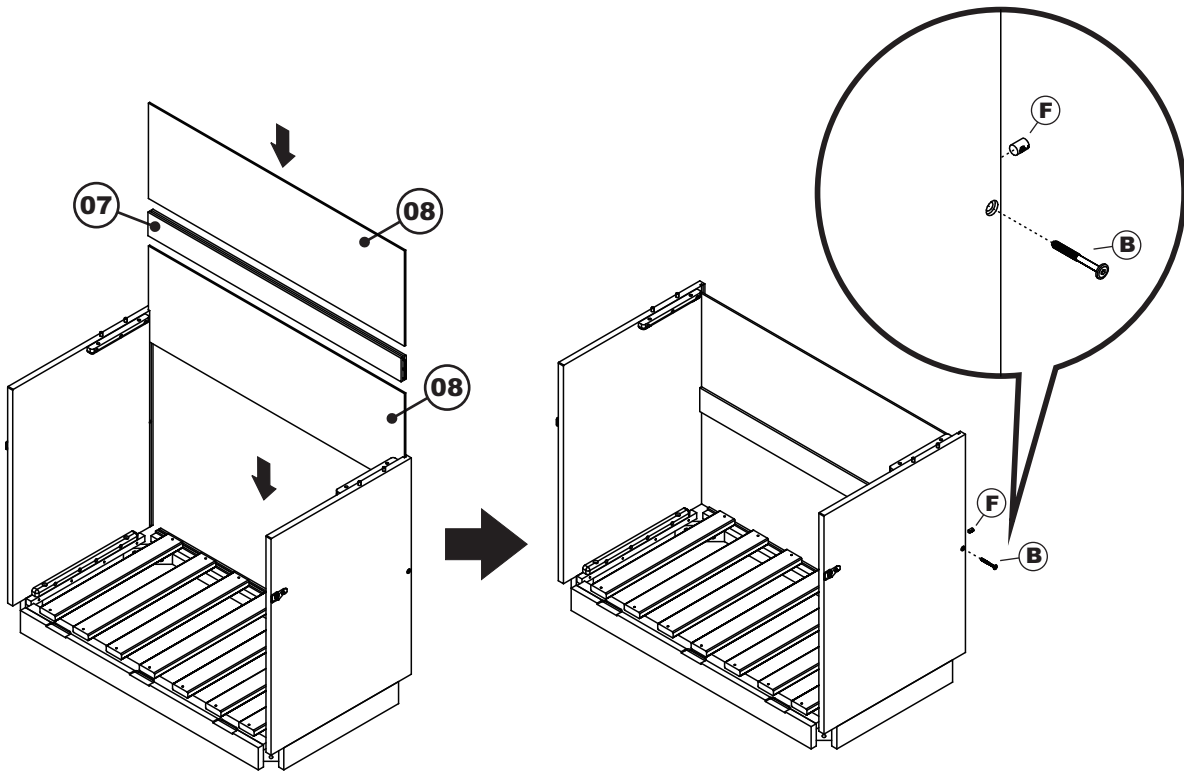


-  Adult assembly
-  JCB M6 X 30mm
-  Spring Clip
-  Allen wrench

## TWIN

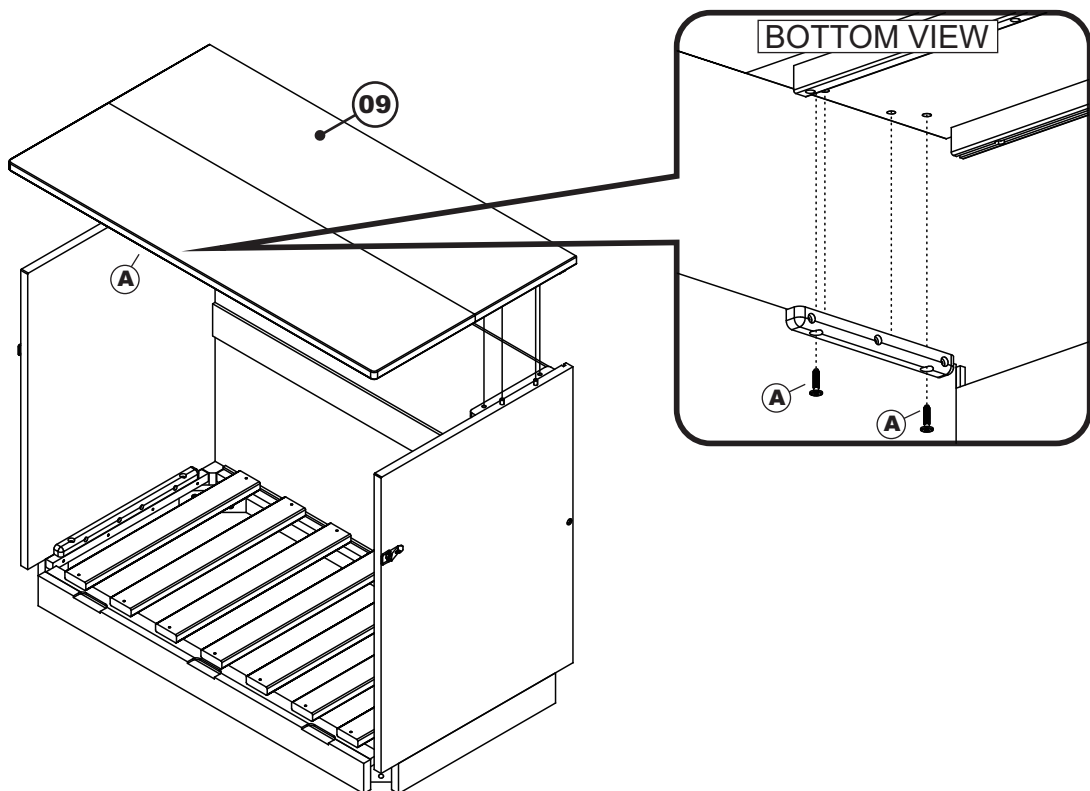
### STEP 2

Guide the back panel (08) and back rail (07) in carefully so that it won't jump out of its grooves. Be sure it fits fully into its groove at the back rail before fitting the top panel. Use JCB (B) and barrel nut (F). Tighten with allen wrench (K).



### STEP 3

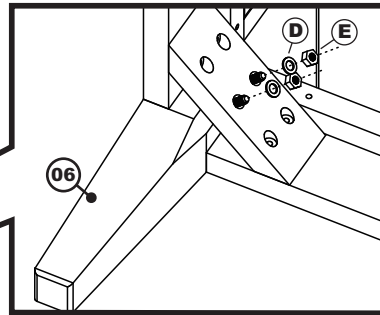
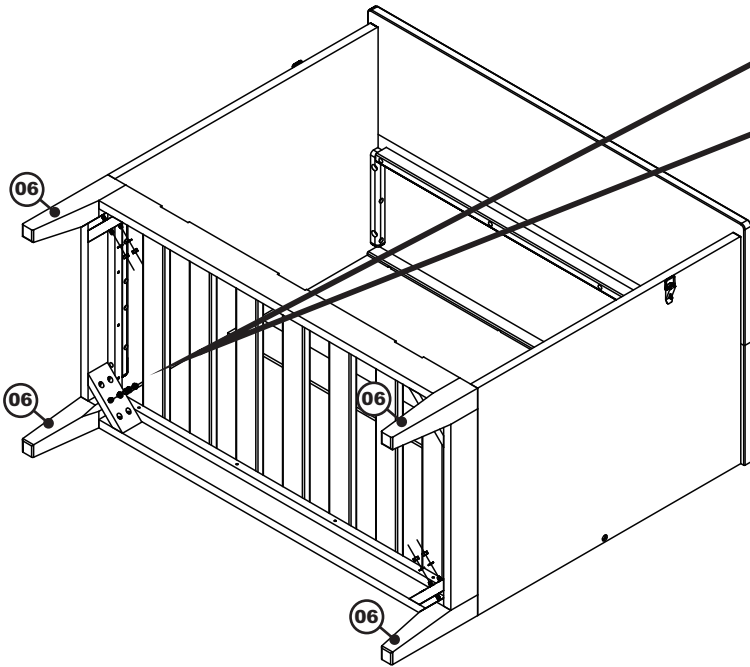
Attach top panel (09) to cabinet assembly as shown below. Use JCB (A). Tighten with Allen wrench (K)



## TWIN

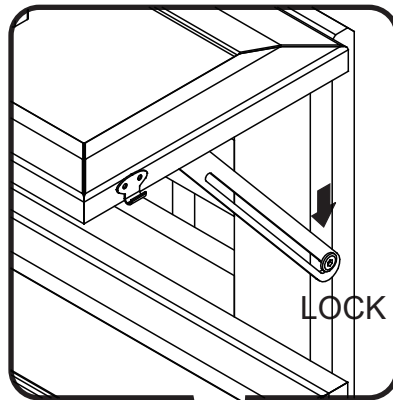
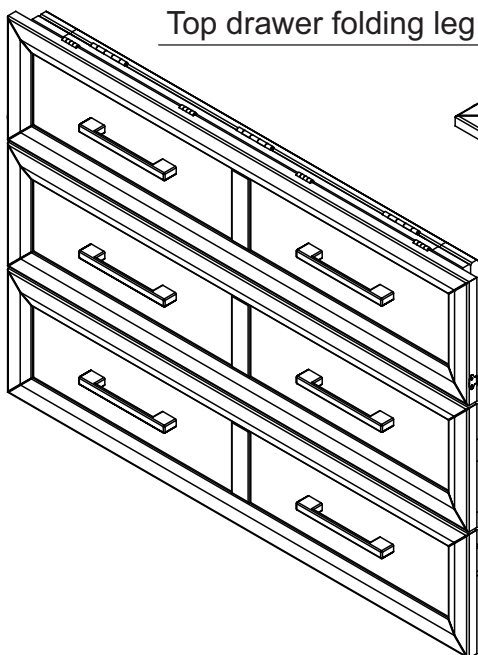
### STEP 4

Attach legs (06) to cabinet assembly as shown below. Use flat washer (D) and hexagon nut (E). Tighten with Hexagon wrench (G).



### STEP 5

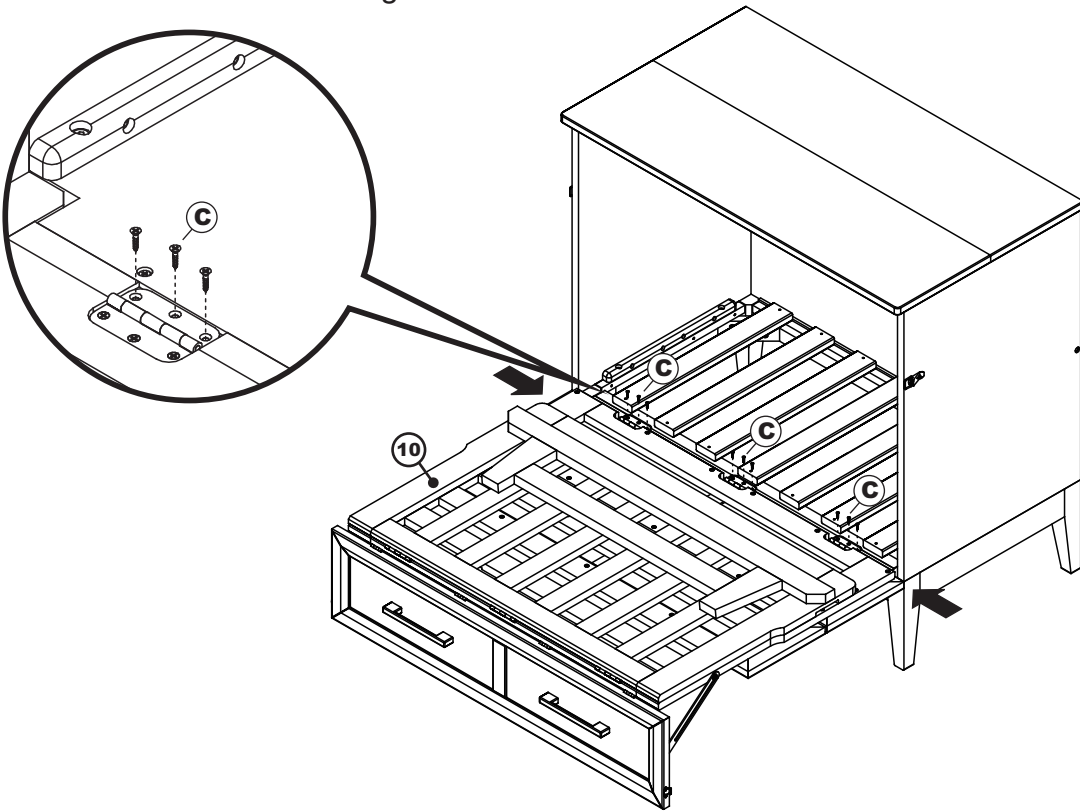
Open top drawer folding leg as shown below. Using metal support and lock to the post. (both side)



## TWIN

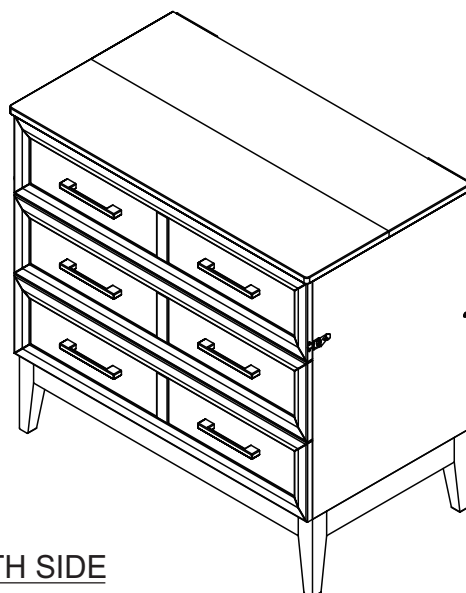
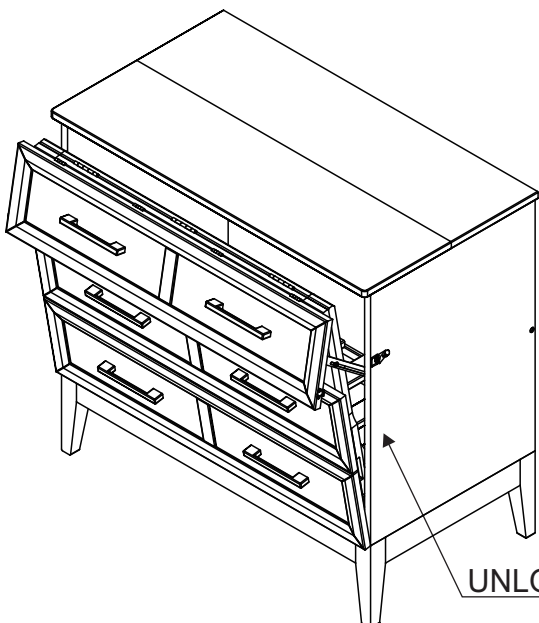
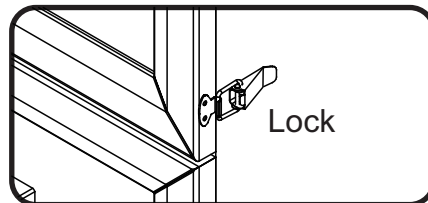
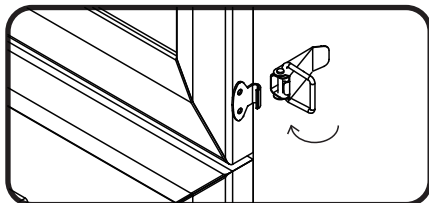
### STEP 6

Attach folding panel assembly (10) to cabinet assembly as shown below. Use wood screw (C). Tighten with Phillips head screwdriver. Customer supplied. Be sure to align with cabinet.



### STEP 7

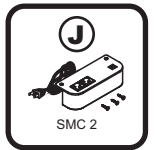
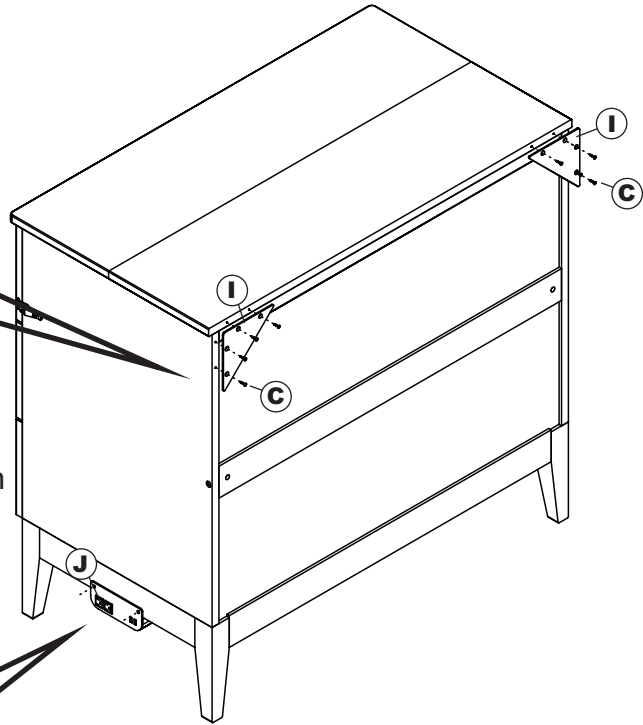
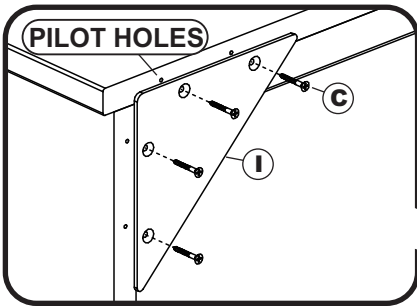
Unlock metal support. Lift the door and latch to side panel. Push the door closed and latch both sides as shown below.



## TWIN

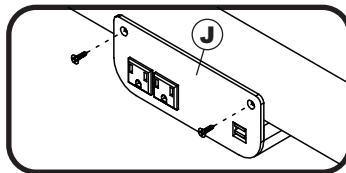
### STEP 8

Attach triangle bracket (I) to the back of cabinet as shown below. Use wood screw (C) tighten with Phillips head screwdriver. (customer supplied).



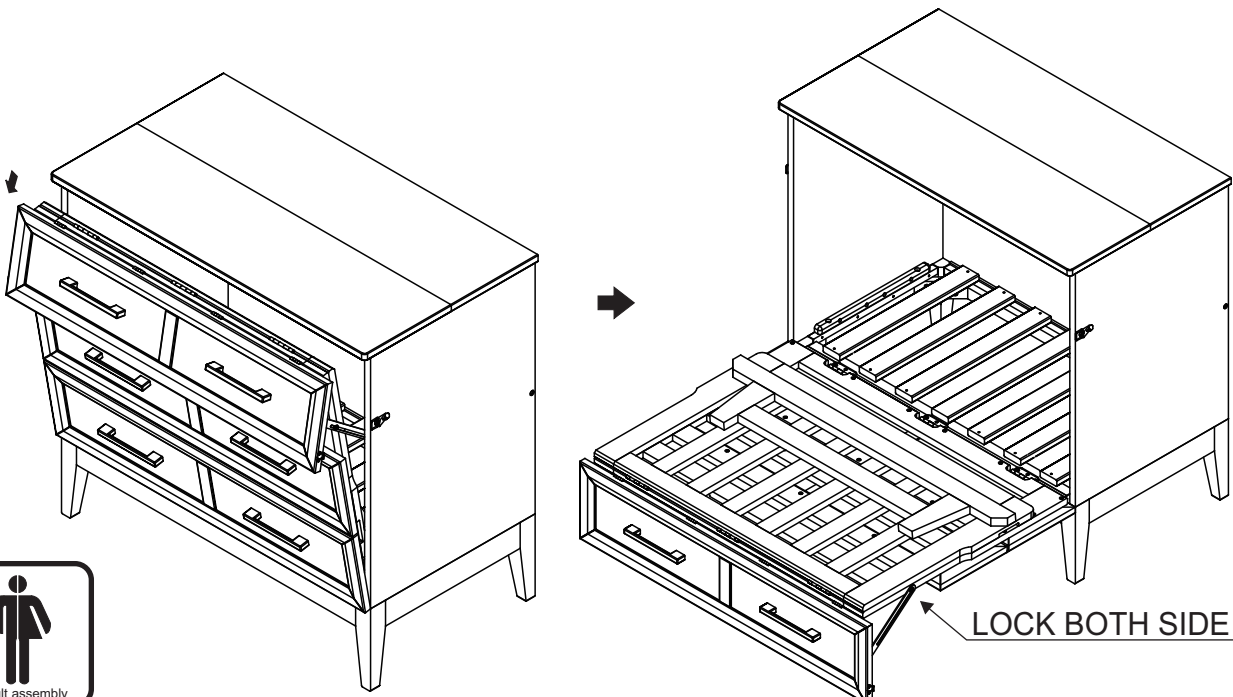
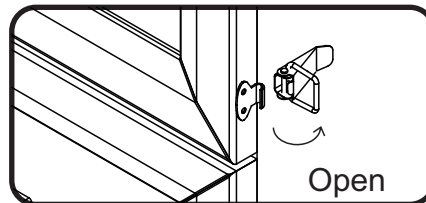
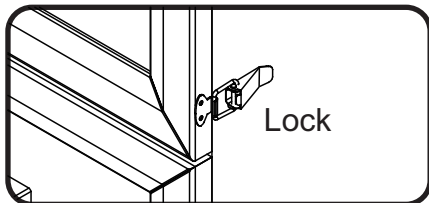
### STEP 9

Install USB charger (J) to the location as shown. Using 1/2" screws and tighten with Phillips head screwdriver. (Customer supplied )



### STEP 10

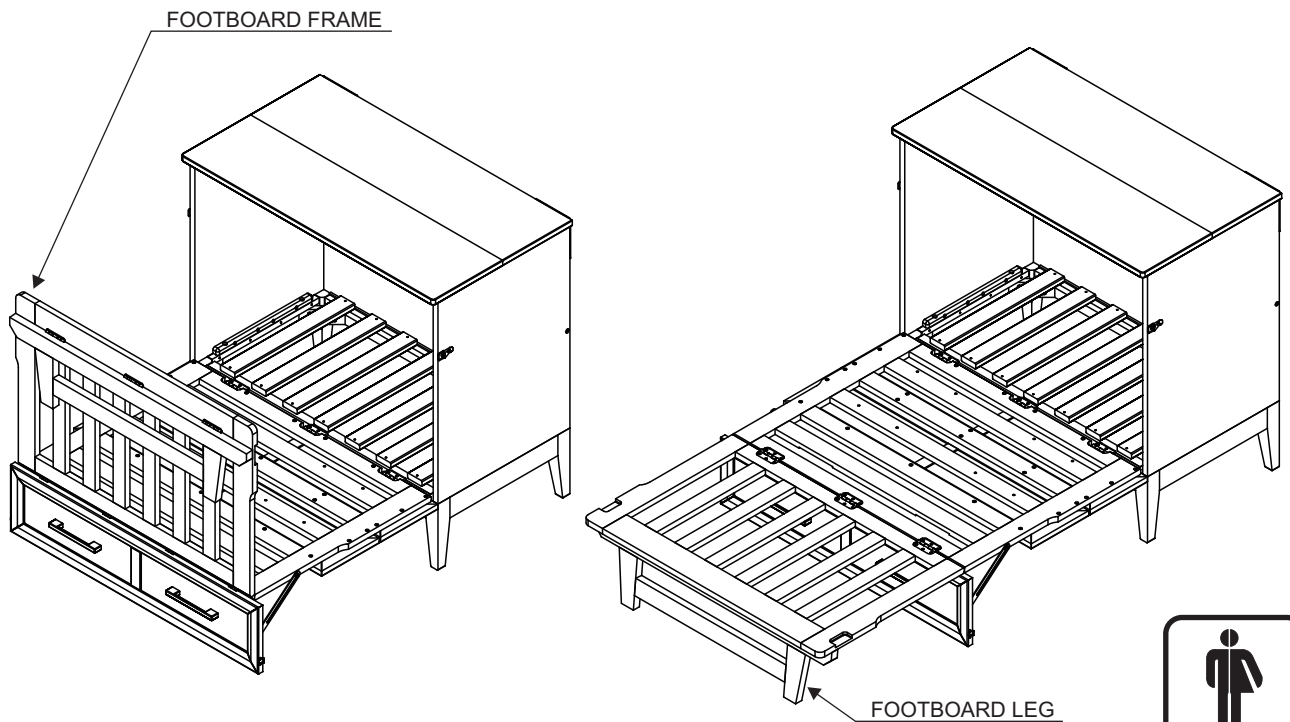
Unlatch the door and open, folding down and lock metal support to the post as shown.



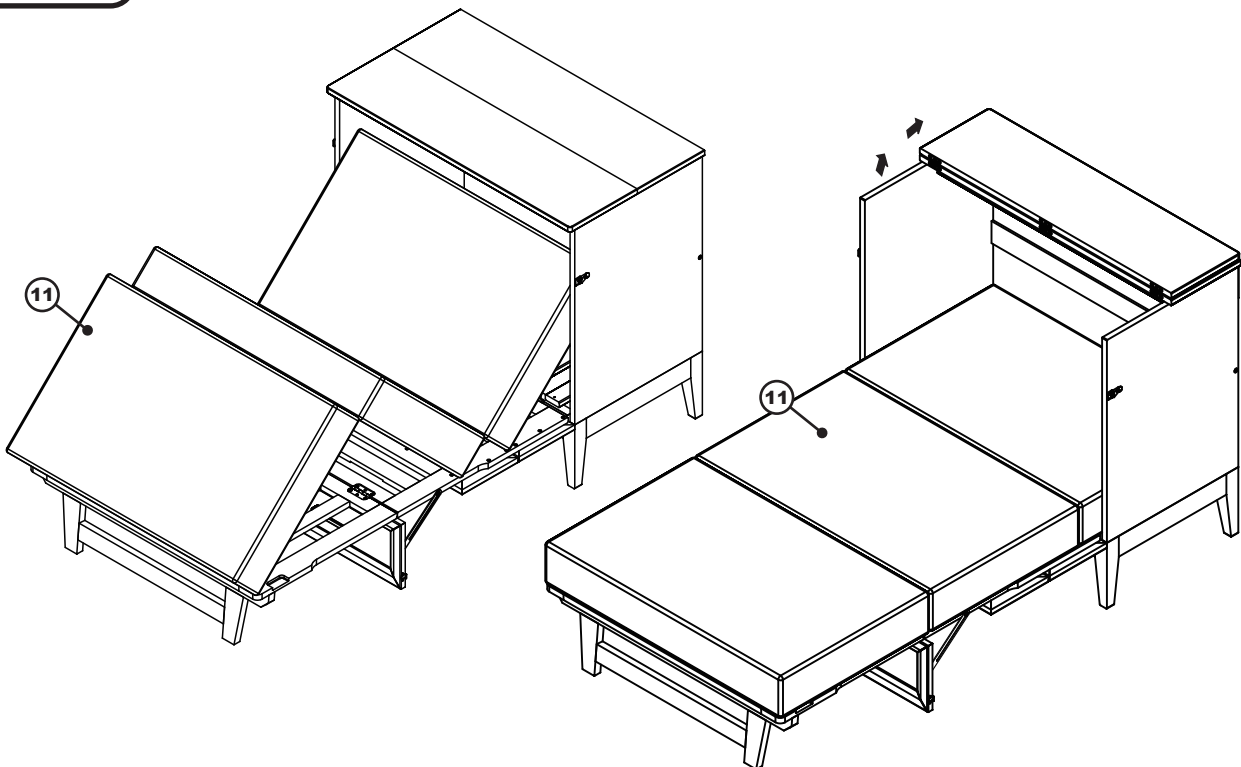


## TWIN

**STEP 11** Open and pull footboard frame and open footboard leg as shown below.



**STEP 12** Install folding mattress (11) to the bed. Open top panel as shown below.



### **Congratulations!**

Your Murphy bed is now ready for use.

We recommend that you recheck that all screws are tight, and that all parts are secure before use to ensure lasting Safety.