



## ASSEMBLY/INSTALLATION

# Chain/Belt Drive Models

### PRE-INSTALLATION CONSIDERATIONS

This opener includes parts and supplies needed for installation in most garages and on most garage doors. There are many variations of garages and garage doors. A few additional parts and supplies may be needed for installation in your garage and to your garage door. While going over these instructions, please note the additional items you may need. For help finding a local Genie® Professional Dealer, refer to the dealer locator at [www.GenieCompany.com](http://www.GenieCompany.com) or call Customer Service at 1-800-35-GENIE.

There are a few specific areas which might require extra materials. **Measure the height of your door. For doors taller than 7' and up to 8' in height, you will need a Rail Extension Kit for the door to fully open.**

**See section 4** - The header above the garage door where torsion springs are used—does it extend far enough above the spring(s) to allow mounting of the header bracket? If not, or if you can't tell—you will probably need a piece of 2" x 6" lumber to span across wall studs.

**See section 6** - The area overhead where the powerhead will be mounted—if you have a finished ceiling, you will need a piece of perforated angle which can span across beams of trusses. **See section 9** - Is there wood along the door tracks near the floor where the Safe-T-Beam™ can be most easily mounted, or will you need fasteners or some other material for mounting to the track itself? Will you need extension brackets or wooden blocks to extend the Safe-T-Beam far enough off the wall to see past any door hardware?

Is there an electrical outlet within approximately 3' of the point where the opener will be? If not, you need to contact a licensed electrician.

Check condition of your door and all its associated hardware: Tracks, springs, hinges, rollers. Is anything loose or appear to be worn? If so, call a trained professional for an evaluation and repairs. **DO NOT ATTEMPT TO ADJUST SPRINGS OR THEIR ATTACHED PARTS!**

Operate the door manually. Does it move freely and smoothly? Check the balance of the door by manually lifting it halfway open and release. It should stay put or move very slowly. If not, call a service person for repairs.

Remove all ropes and remove or disable all locks connected to the garage door before installing opener. It is also recommended that T-handles be removed. It is recommended that closed loop lifting handles with no protruding parts remain.

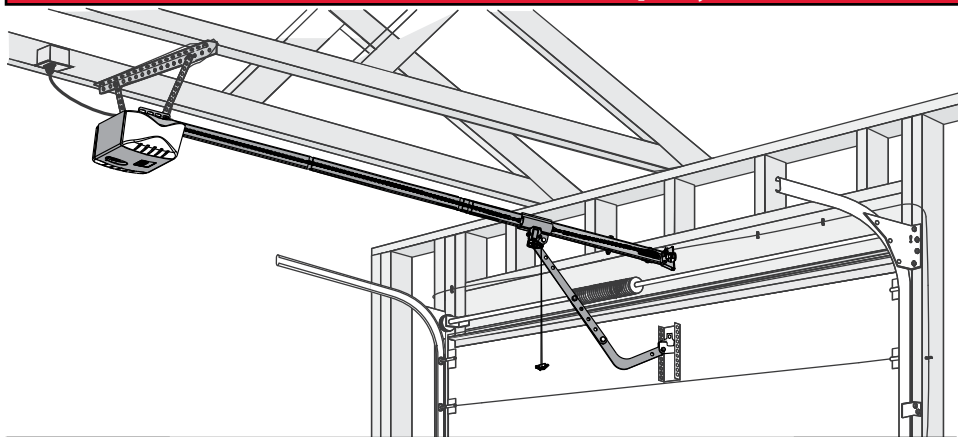
### ASSEMBLY AND INSTALLATION VIDEO



Scan this code for installation videos

OR view on Genie's website:

[www.GenieCompany.com](http://www.GenieCompany.com)



NEED HELP OR HAVE QUESTIONS?  
DO NOT RETURN to the store.  
Call Genie: 1-800-35-GENIE or visit [www.GenieCompany.com](http://www.GenieCompany.com)



# IMPORTANT INSTALLATION INSTRUCTIONS

### POTENTIAL HAZARDS

Overhead doors are large, heavy objects that move with the help of springs under high tension and electric motors. Since moving objects, springs under tension, and electric motors can cause injuries, your safety and the safety of others depends on you reading the information in this installation poster. If you have questions or do not understand the information presented, call The Genie Company (1-800-35-Genie). In this section, and those that follow, the words Danger, Warning and Caution are used to emphasize important safety information.

**▲ DANGER** Indicates an imminently hazardous situation which, if not avoided, will result in death or serious injury.

**▲ WARNING** Indicates a potentially hazardous situation which, if not avoided, could result in death or serious injury.

**▲ CAUTION** Indicates a potentially hazardous situation which, if not avoided, may result in injury or property damage.

**NOTE** is used to indicate important steps to be followed or important considerations.

## ▲ WARNING

### TO REDUCE THE RISK OF SEVERE INJURY OR DEATH

READ AND FOLLOW ALL SAFETY, INSTALLATION AND OPERATION INSTRUCTIONS. If you have any questions or do not understand an instruction, call The Genie® Company or your local Genie® Factory Authorized Dealer.

- **DO NOT** install opener on an improperly balanced door. An improperly balanced door could cause severe injury. Repairs and adjustments to cables, spring assembly, and other hardware must be made by a trained service person using proper tools and instructions.
- Remove all ropes and remove or disable all locks connected to the garage door before installing opener.
- Where possible, install door opener 7 feet or more above the floor. For products having an emergency release, mount the emergency release within reach, but at least 6 feet above the floor and avoiding contact with vehicles to avoid accidental release.
- **DO NOT** connect the opener to the source of power until instructed to do so.
- Locate the wall console button: A) Within sight of door. B) At a minimum height of 5 feet so small children cannot reach it. C) Away from all moving parts of the door.
- Install the entrapment WARNING label next to the wall button or console. Install red emergency release handle on the emergency release cord.
- The opener must reverse when the door contacts a 1-1/2 inch high object on the floor at the center of the doorway. This is about the size of a 2" x 4" board laid flat.

### ▲ WARNING



**A moving door could result in serious injury or death.**

- Keep people clear of opening while door is moving.
- **DO NOT** allow children to play with the door opener.
- **DO NOT** operate a door that jams or one that has a broken spring.

### ▲ WARNING



**An Electrical Shock could result in serious injury or death.**

- Turn off power before removing opener cover.
- When replacing cover, make sure electrical wires are not pinched or near moving parts.
- Opener must be properly grounded.

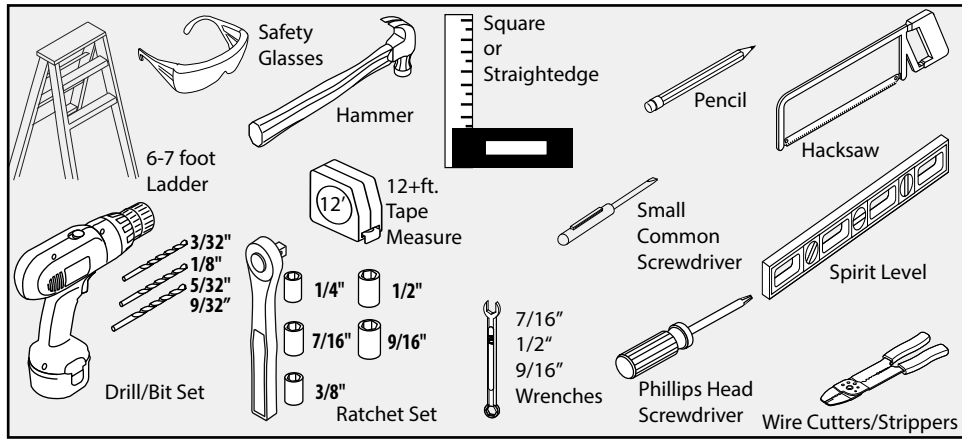
### ▲ WARNING



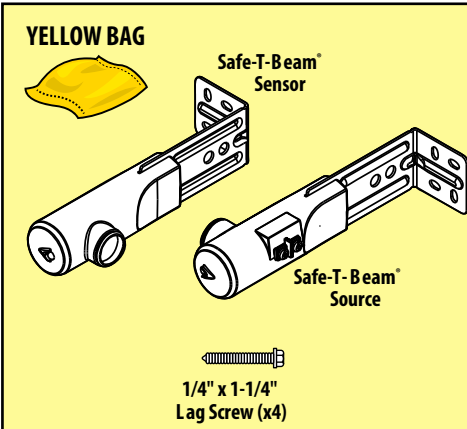
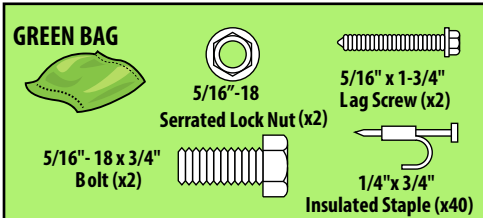
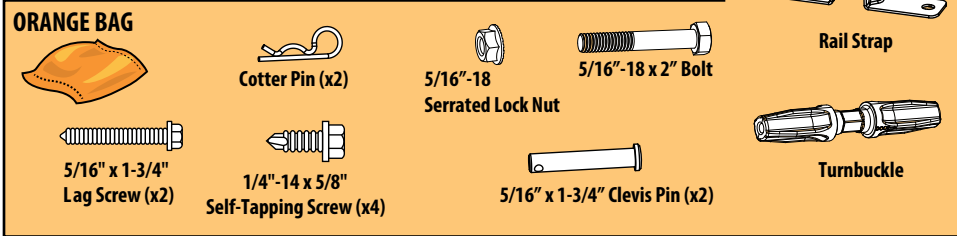
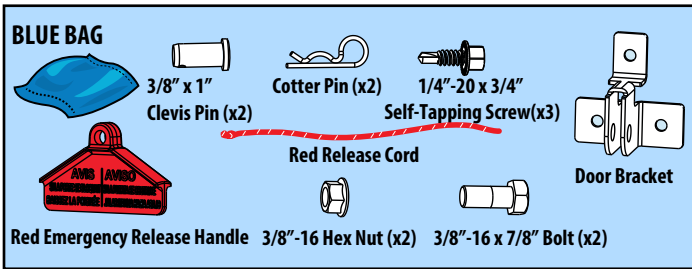
**WARNING—HIGH SPRING TENSION**

- **DO NOT** try to remove, repair or adjust springs or anything to which door spring parts are fastened, such as wood block, steel brackets, cables or other like items.
- Repairs and adjustments must be made by a trained door system technician using proper tools and instructions.

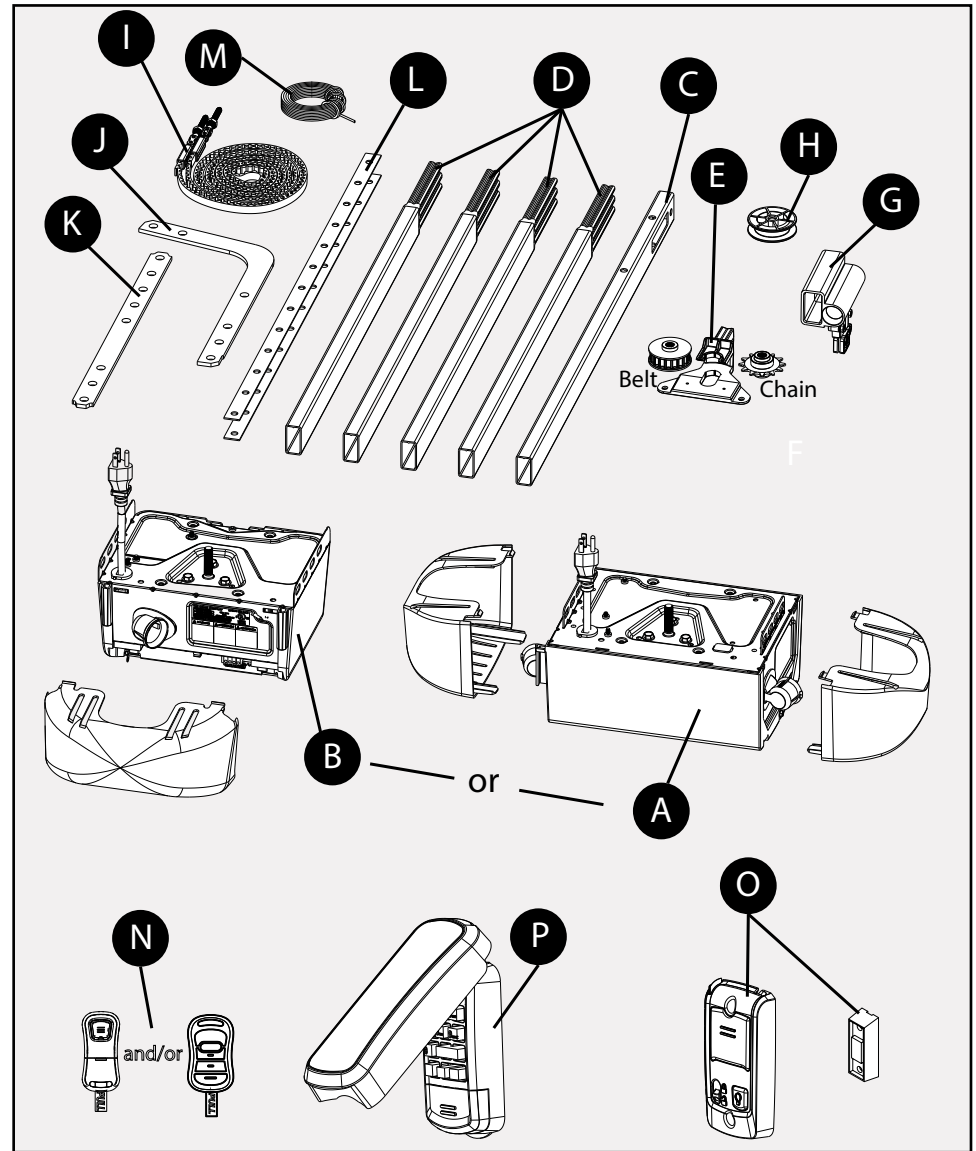
## RECOMMENDED TOOLS



## HARDWARE BAGS



## PARTS INCLUDED



## PARTS LIST

- |                                |   |                                |
|--------------------------------|---|--------------------------------|
| A = 2 Light Powerhead & Lenses | J = Curved Door Arm                               | • Blue Parts Bag               |
| B = 1 Light Powerhead & Lens   | K = Straight Door Arm                             | • Yellow Parts Bag             |
| C = Header Rail Section        | L = Mounting Straps (x2)                          | • Orange Parts Bag             |
| D = Rail Sections (x4)         | M = 90ft. Wire Spool                              | • Green Parts Bag              |
| E = Sprocket Support Assembly  | N = Remote  | • Clear Bag (Belt Models Only) |
| G = Carriage Assembly          | O = Wall Control:<br>(Console or Standard Button) |                                |
| H = Idler Pulley               | P = Wireless Keypad (Select Models Only)          |                                |
| I = Chain or Belt Assembly     |   |                                |

# 1

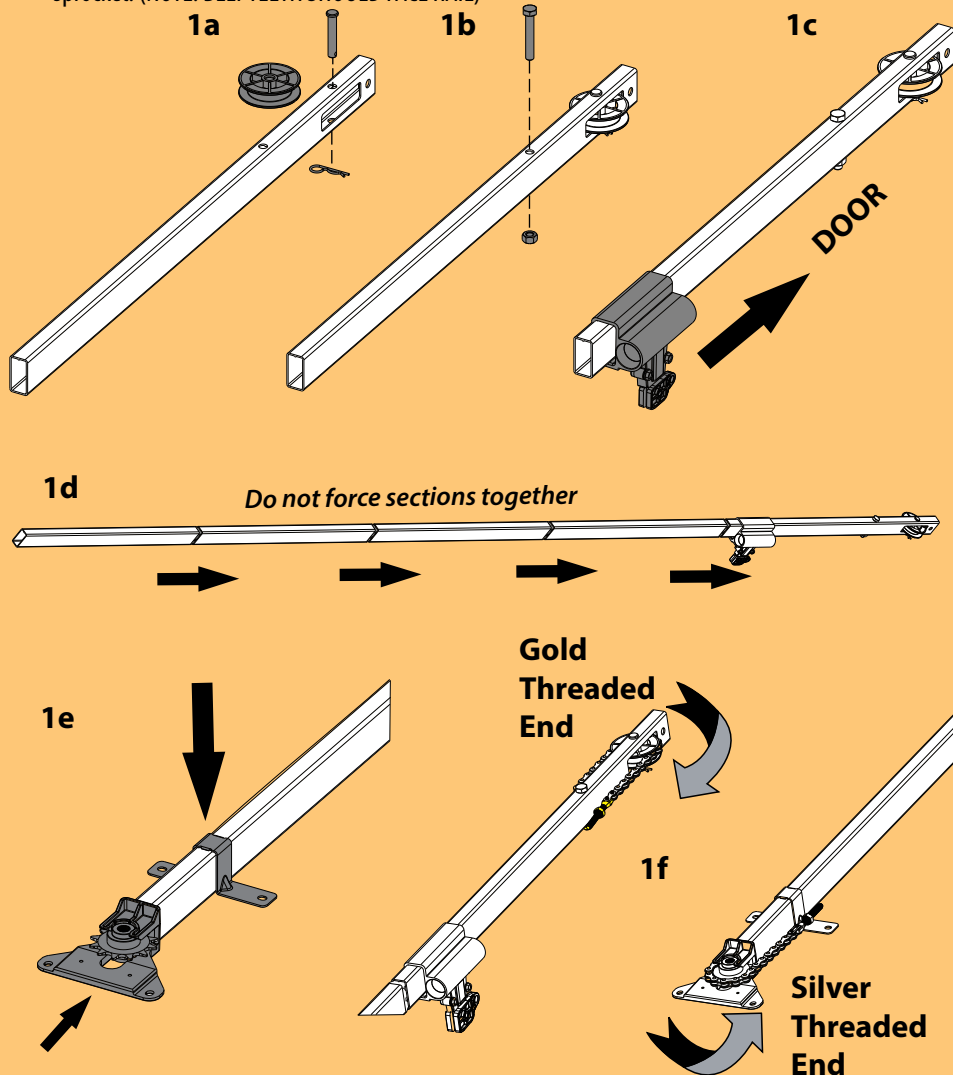
## ASSEMBLING/INSTALLING RAIL (ORANGE BAG)



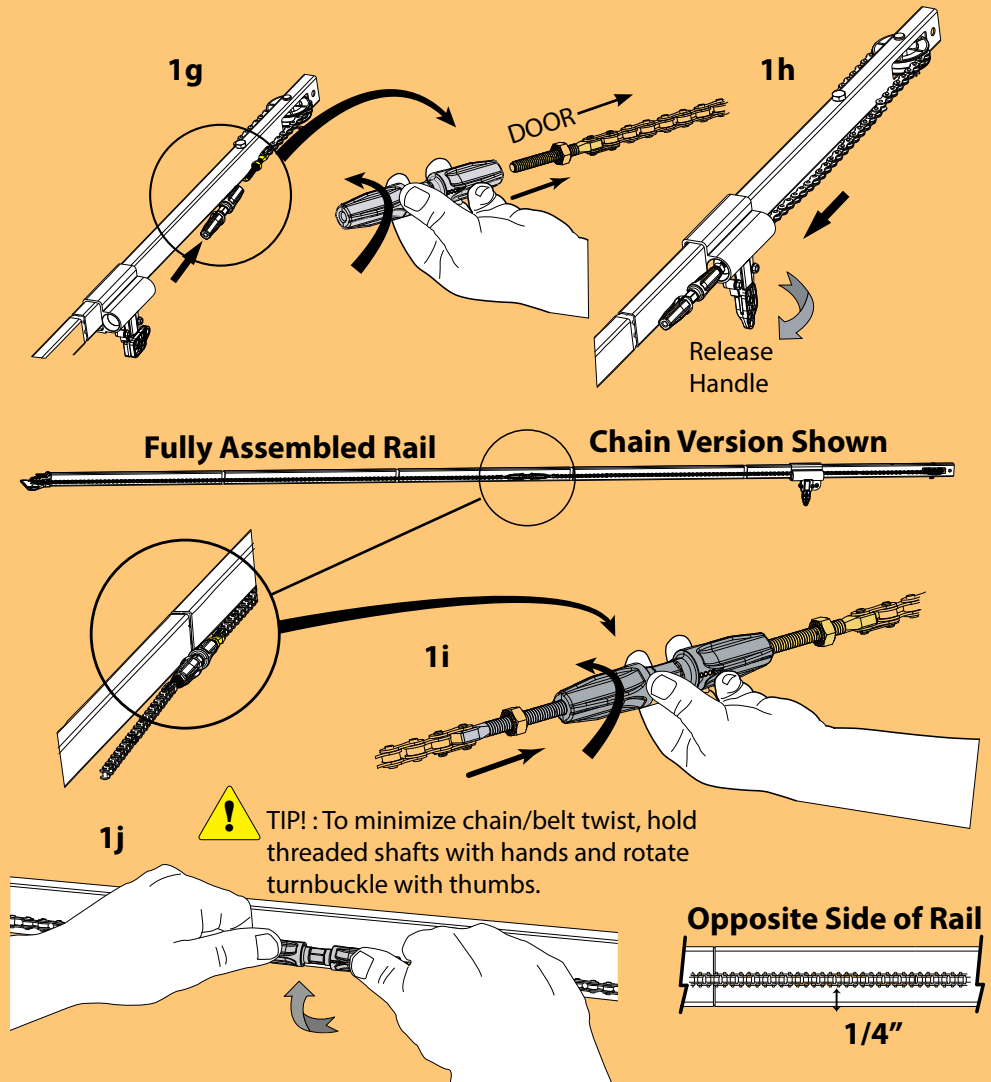
1. Check door height; doors taller than 7' up to 8' tall require a Rail Extension Kit (available at leading retail stores)

2. If you need an extension kit, **YOU MUST FULLY READ EXTENSION KIT INSTRUCTIONS AND WARNINGS BEFORE PROCEEDING.**

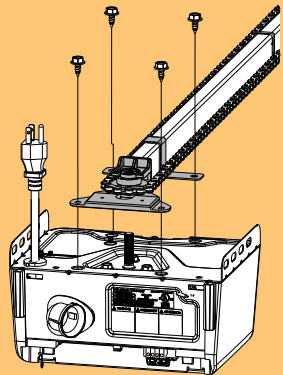
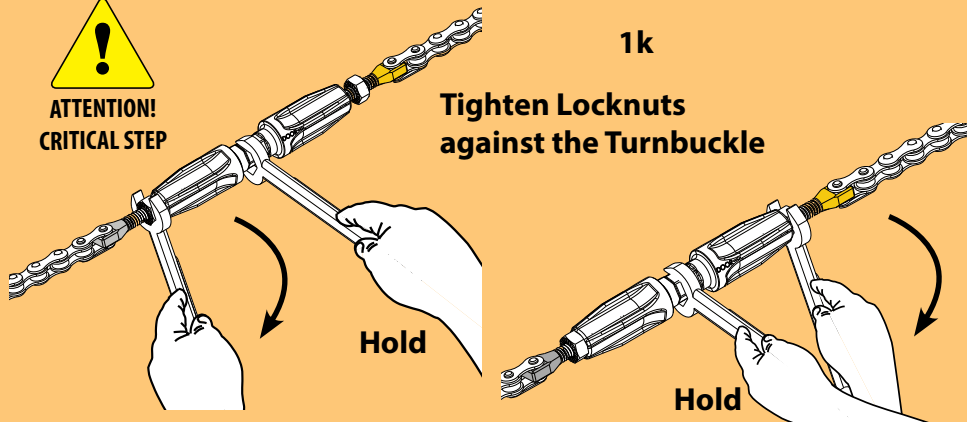
- 1a. Align pulley in rail slot and insert clevis pin through header rail hole and idler pulley. Secure with cotter pin.
- 1b. Insert 5/16"-18 x 2" bolt into header rail and secure with nut.
- 1c. Slide carriage assembly onto header rail section. Note "door" arrow will point towards idler pulley.
- 1d. Insert rail sections together by hand as shown. Assembled length is approximately 9'3".
- 1e. Insert sprocket support assembly into last rail section and place rail strap onto rail.
- 1f. Route chain/belt assembly gold threaded shaft around idler pulley and silver threaded end around sprocket. (NOTE: BELT TEETH SHOULD FACE RAIL)



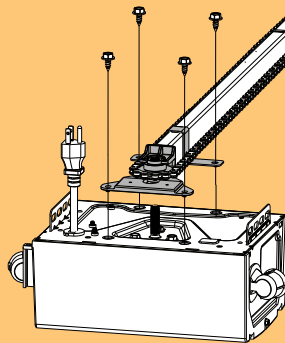
- 1g. Install turnbuckle with "door" end arrow onto the gold threaded end by rotating counter-clockwise one full turn.
- 1h. Disengage carriage assembly by rotating release handle downward and insert turnbuckle through the carriage as shown. Ensure chain/belt is not twisted or bound.
- 1i. Continue routing the chain/belt assembly until turnbuckle is near the middle of the rail. Insert silver threaded shaft into the turnbuckle and rotate turnbuckle counter-clockwise one full turn.
- 1j. Hold chain/belt and rotate turnbuckle with thumbs counter-clockwise until chain/belt is tensioned properly. Measure chain/belt tension on opposite side of rail until 1/4" from bottom of rail.



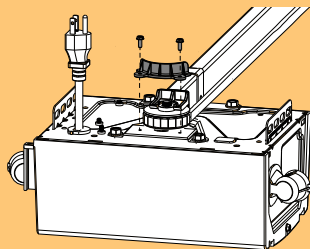
- 1k. Once proper tension has been established, hold turnbuckle in place with a 7/16" or adjustable wrench. Tighten both tension nuts with a 7/16" wrench.
- 1l. Lower the drive sprocket over the spline shaft on top of the powerhead. Align rail strap and sprocket support with holes in powerhead. Fully tighten 1/4"-14 x 5/8" self tapping screws. Do not overtighten.
- 1m. Install belt retainer using #6 x 3/8" self tapping screws. (Clear parts bag, Belt models only).



1 Bulb Model



2 Bulb Model



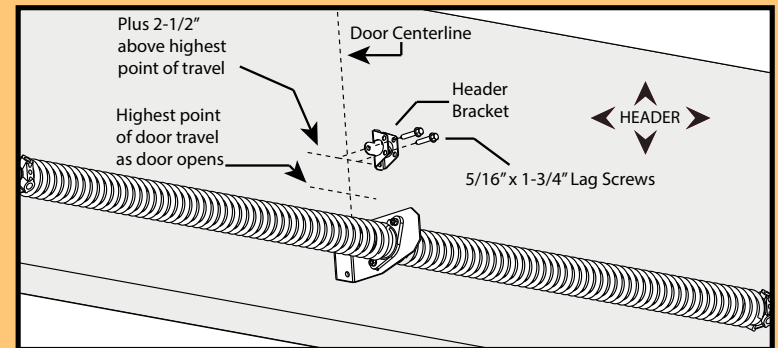
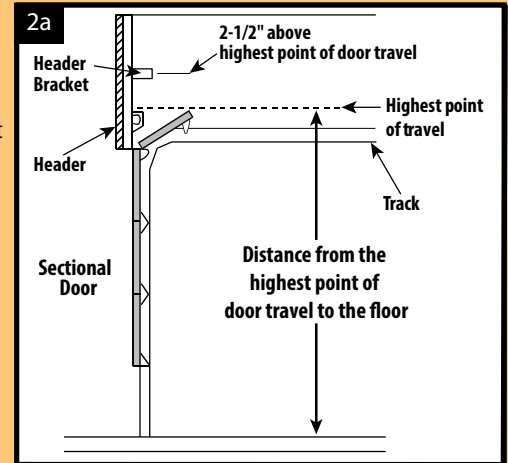
1m  
Clear Bag  
Belt Models Only

2

**MOUNTING RAIL BRACKET ON HEADER (ORANGE BAG)**



- 2a. Determine "highest point of door travel":
- Get on a ladder to the side of your garage door.
  - Have someone lift the door open slowly.
  - As the door is raised, find the highest point where the door extends above the door tracks—that is the highest point of door travel. For sectional doors this is typically where the top door roller exits the curved portion of the track onto the horizontal section as the door is raised.
- 2b. With a tape measure, determine the distance from the highest point of door travel to the floor.
- 2c. Place a mark on the header at the highest point of door travel, preferably at the center of the door (measured side to side).
- 2d. Position the header bracket above the highest point of travel: **2-1/2" above highest point of door travel.**
- 2e. Drill 5/32" pilot holes in header and secure bracket with 5/16" x 1-3/4" lag screws.



**⚠ WARNING**  
 Door springs are under high tension. If spring or shaft is in the way, measure above spring or shaft on the garage door centerline and mark as location for header bracket. **DO NOT ATTEMPT TO MOVE, ADJUST, OR REMOVE DOOR SPRING!**

**⚠ CAUTION**  
 Header Bracket must be fastened to garage framing. **DO NOT** fasten to drywall, particle board, plaster, or other such materials.

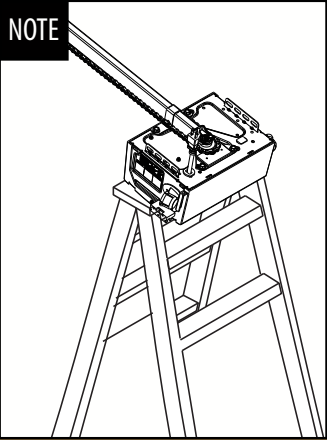
# 3

## ATTACHING RAIL TO BRACKET (ORANGE BAG)

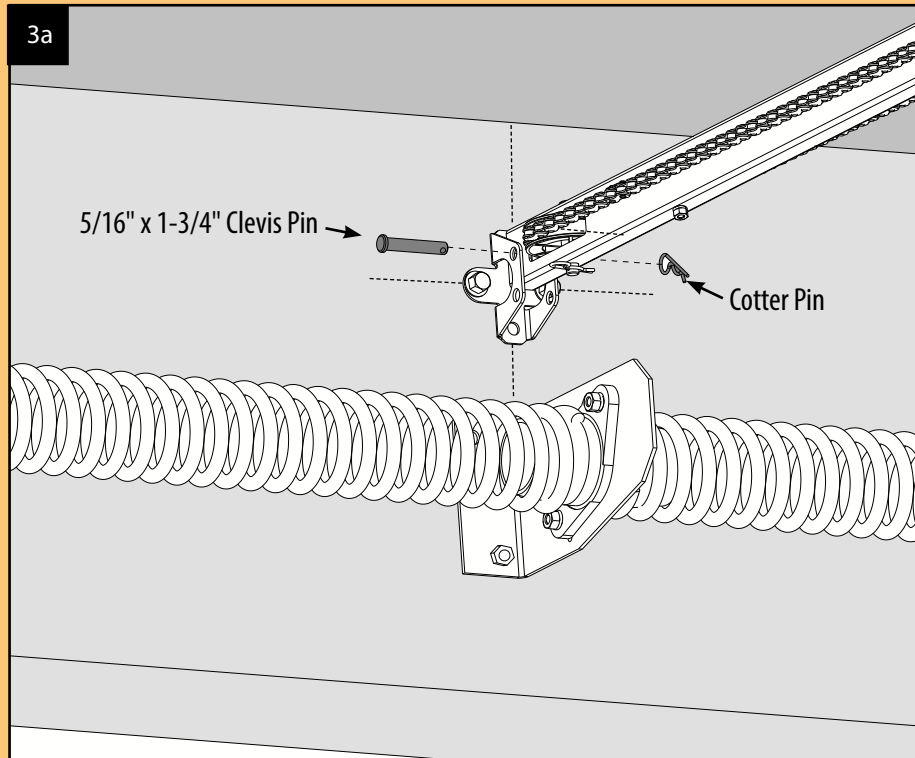


- 3a. Elevate powerhead assembly and position header rail section (C) inside bracket.  
**NOTE:** Support powerhead and have a second person assist during this step.
- 3b. Align holes in rail with upper holes in bracket.
- 3c. Slide clevis pin through holes in rail and bracket and secure with cotter pin.
- 3d. Slide carriage near the powerhead now to prevent damage to the door for step 6a.

**NOTE**



3a



# 4

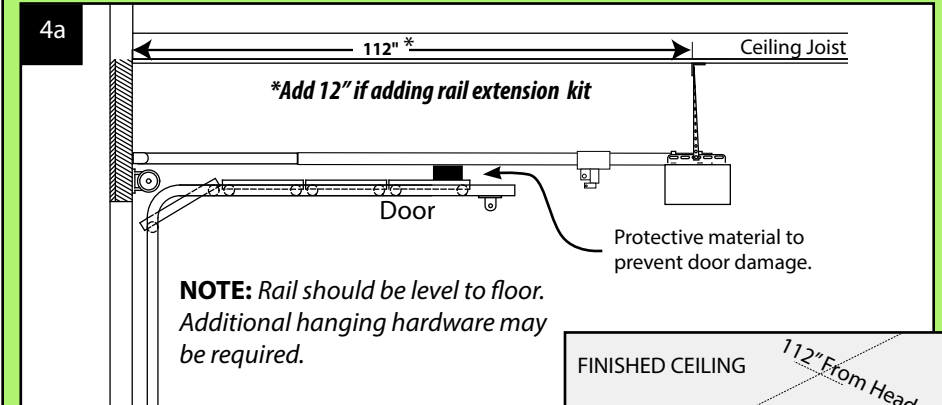
## ATTACHING POWERHEAD TO CEILING (GREEN BAG)



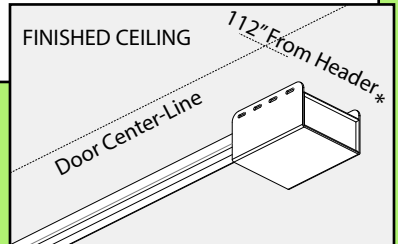
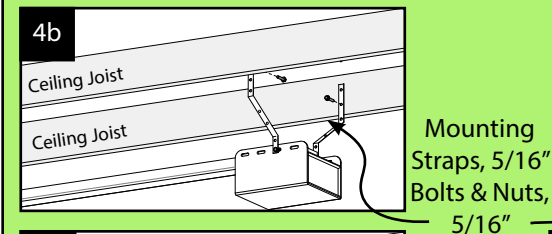
There are several methods to mount the powerhead to the ceiling. The most popular methods are shown here.  
**Attach to garage framework only. DO NOT attach to drywall or partial board.**

- 4a. If possible, lift and support powerhead while a second person fully opens the door. **Insert a 2 x 4 board, cardboard or towel between door and rail to protect door.** Measure and mark the door centerline. Position powerhead over the centerline of door and allow it to rest on board. **Otherwise**, measure and mark ceiling 112" \* back from the header, aligned with the centerline of the door.
- 4b. Method **A**-For open ceilings with exposed joist, drill 5/32" pilot holes and secure included mounting straps to joist using 5/16" x 1-3/4" lag screws. Raise powerhead unit so that there is sufficient clearance between door and rail. Cut and/or bend mounting straps as needed to align with the powerhead and to level the rail. Secure powerhead to mounting straps using 5/16"-18 x 3/4" bolts and nuts. Ensure powerhead is centered with the door and **remove the 2 x 4 board and/or other protective material.**
- 4c. Method **B**-For finished or unfinished ceilings, attach perforated angle (not supplied) to joists using 5/16" x 1-3/4" lag screws and secure mounting straps to the perforated angle with 5/16"-18 bolts and nuts (not supplied). Raise powerhead so that there is sufficient clearance between door and rail. Cut and/or bend mounting straps as needed to align with the powerhead and to level the rail. Secure powerhead to mounting straps using 5/16"-18 x 3/4" bolts and nuts. Ensure powerhead is centered with the door and **remove the 2 x 4 board and/or other protective material.**
- 4d. Close the Door.

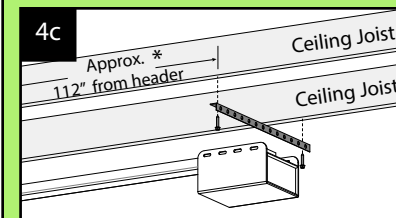
4a



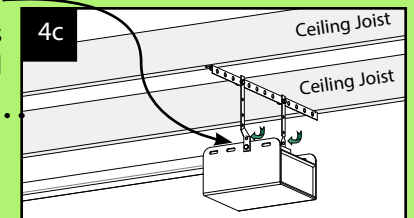
4b



4c



4c



5

## ATTACHING DOOR BRACKET TO DOOR (BLUE BAG)

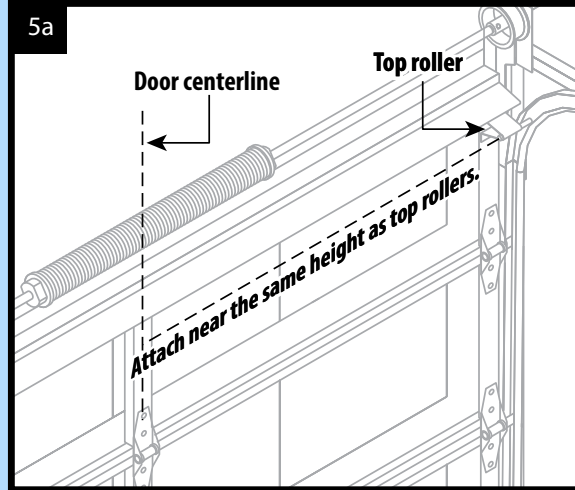


### Sectional Door (Typical):

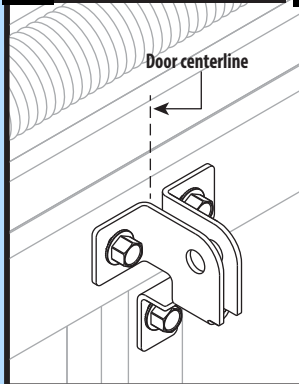
- 5a. Center bracket on door. Attach near the same height as top rollers.
- 5b. Using bracket, mark holes on door.
- 5c. Drill 1/8" pilot holes partially through the door.
- 5d. Secure with 1/4" - 20 x 3/4" self-drilling screws.
- 5e. Some garage door manufacturers provide door brackets that CAN be used with your Genie Door Arms.

### Sectional Door (Wooden):

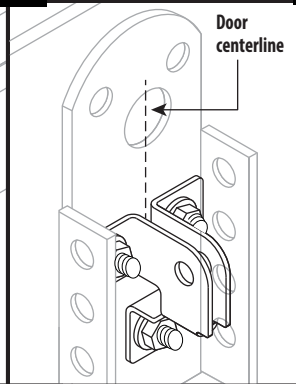
- 5a. Center bracket on door. Attach near the same height as top rollers.
- 5b. Using bracket, mark holes on door or frame.
- 5c. Drill 9/32" holes completely through the door.
- 5d. Fasten bracket with 1/4" x 2" carriage bolts and nuts (not provided).



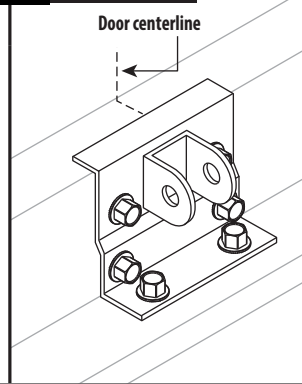
### 5d Sectional (Typical)



### 5d Sectional (Wooden)



### 5e Top of door



## CAUTION

Doors made of masonite, lightweight wood, fiberglass, and sheet metal must be properly braced before mounting door bracket. Contact door manufacturer or distributor for any questions or concerns. The Genie® Company is not responsible for any damage caused due to an improperly braced door.

6

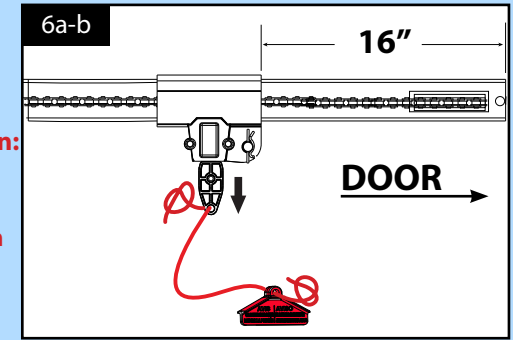
## ATTACHING DOOR ARM TO DOOR BRACKET & CARRIAGE (BLUE BAG)



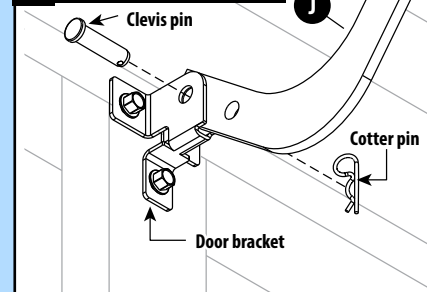
- 6a. Secure cord to the red emergency release handle and carriage release.
- 6b. Pull the emergency release cord to disengage the carriage and move it toward the door, about 16" from the header. Check and adjust chain/belt tension at this time (see not below)
- 6c. Sectional Doors typically accept curved door arm (J). Install the curved door arm inside the door bracket using 3/8" x 1" clevis and cotter pins. In some cases, just the straight door arm (K) may be used if the door bracket is mounted on the top edge of the door. (FIG. 5e)
- 6d. Attach straight door arm to carriage using 3/8" x 1" clevis and cotter pins.
- 6e. With the door closed, attach the curved and straight door arms together using 3/8"-16 x 7/8" bolts and nuts. Space the fasteners as far apart as possible.

**NOTE:** Overall length of both arms should be minimized, but not so short that the straight arm is vertical or too long that it exceeds 30° from the header.

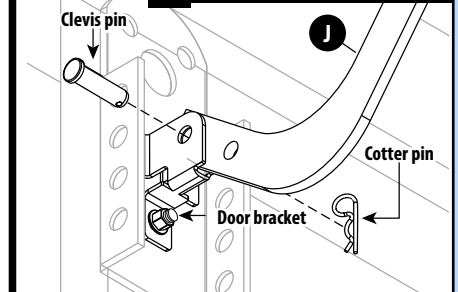
**Check and adjust chain/belt tension:** With carriage disengaged, check belt/chain tension. Proper tension is obtained when chain/belt is between bottom of the rail and 1/4" above. Refer to section ij on this poster.



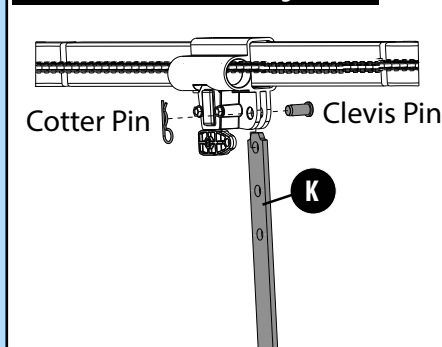
### 6c Sectional (Typical)



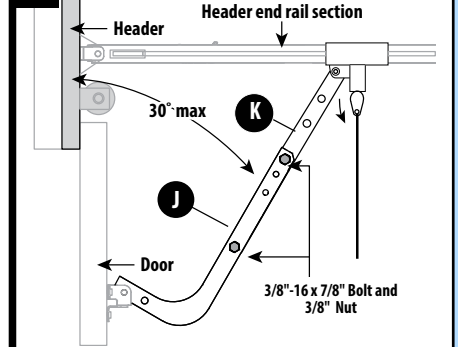
### 6c Sectional (Wooden)



### 6d Attach Door Arm/Carriage



### 6e



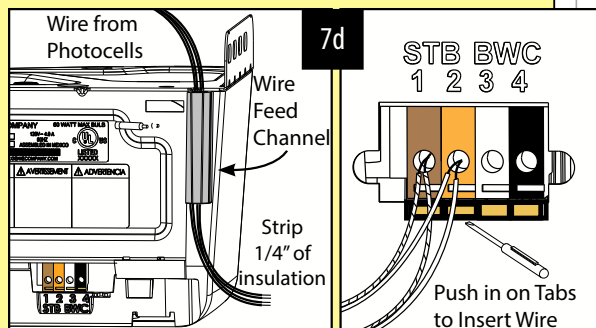
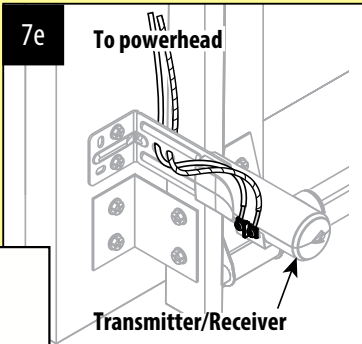
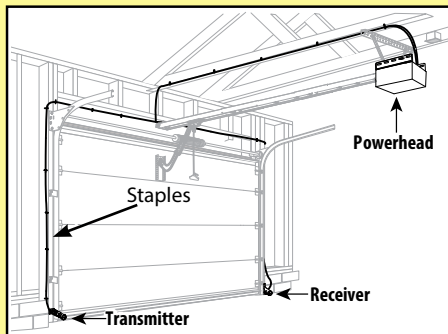
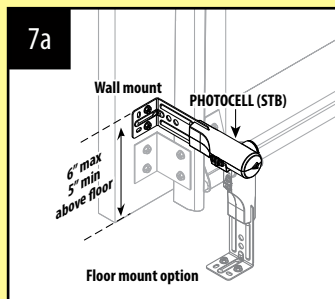
# 7

## INSTALLING SAFE-T-BEAM® (YELLOW BAG)



### READ ALL STEPS BEFORE PROCEEDING

- 7a. Position Safe-T-Beam® (STB) Transmitter and Receiver on each side of garage door 5"-6" above floor. Face the lenses towards each other.
- 7b. Mark bracket mounting holes; drill 3/32" pilot holes and secure with (4) 1/4" x 1-1/4" lag screws (provided) into wood. If mounting into concrete or block, other fasteners are required and are available at leading retail stores.
- 7c. Use garage pre-wiring if available. Otherwise, route 2 lengths of supplied wire from powerhead, along the ceiling, across the header and down both sides of the door, to each sensor. Secure the wire to the ceiling and walls using the insulated staples in the green bag.
- 7d. On the powerhead: insert both wires down through the control wire channel. Remove 1/4" insulation from both sets of white and striped wire. Twist two striped wires together. **Using a small flat head screwdriver, press in the orange tab at terminal 1 and insert the wires.** Twist the two white wires together and insert into terminal 2. Ensure the wires are in their terminal, adjust as necessary.
- 7e. At each sensor, remove 1/4" insulation from the white and striped wires and secure in each terminal. Ensure the wires are secure at each terminal; adjust as necessary.



### CAUTION

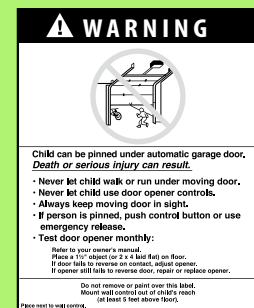
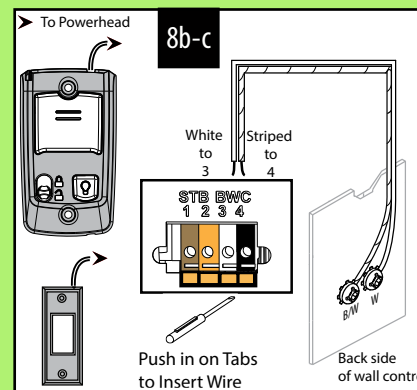
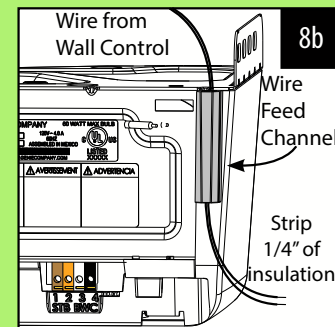
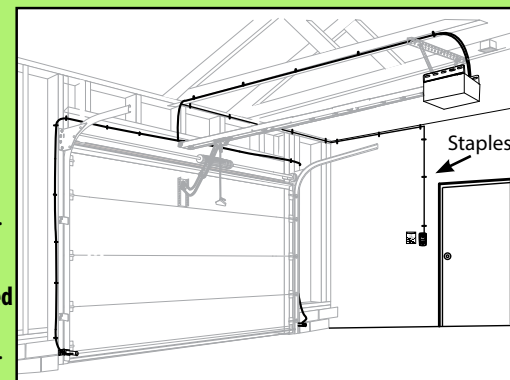
When using insulated staples, make only snug enough to hold electrical wire in place. Staples too tight can cause damage to wire and cause Safe-T-Beam® System to malfunction.

# 8

## INSTALLING WALL CONSOLE



- 8a. Use garage pre-wiring if available. Otherwise, route supplied wire from powerhead to the desired location for the wall control. Secure wire with insulated staples (green bag).
- 8b. On the powerhead: insert wire down through the control wire channel. Remove 1/4" insulation from white and striped wire. **Using a small flat head screwdriver, press in the orange tab and insert the white wire in terminal 3 and the striped wire in terminal 4.** Ensure the wires are secure in each terminal; adjust as necessary.
- 8c. At the wall console end of the wire, remove 1/4" insulation from the white and striped wires and secure the white wire to the "W" terminal and the striped wire to the "B/W" terminal as shown. Ensure the wires are secure at each terminal; adjust as necessary.
- 8d. Mark the wall console mounting holes, drill 3/32" pilot holes and mount with #6 x 1-1/4" screws. If mounting to drywall, anchors will be required (not provided).
- 8e. Post the "ENTRAPMENT WARNING LABEL" (Included in the Operation and Maintenance Manual) next to the wall console.



**NOTE:** If pre-wiring is used, ensure that after power is applied to the powerhead (in Step 10), the wall console and Safe-T-Beam® LEDs come on. This confirms the wiring is correct. If not, you may need to individually wire each Safe-T-Beam® and wall console at the powerhead.

### WARNING

Use of any other wall control can cause unexpected operation of the door and loss of lighting feature. Locate wall console within sight of door and far enough from door to prevent contacting it while operating the console. Control must be at least 5 feet above floor to prevent small children from operating it.

# 9

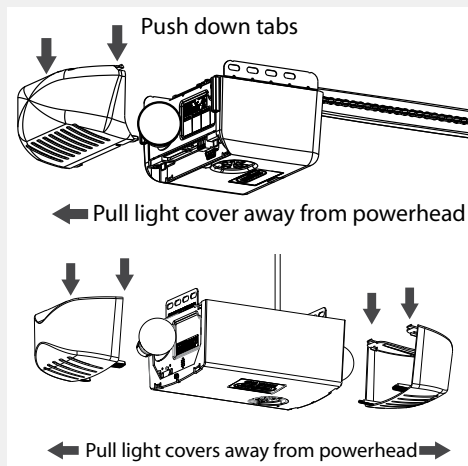
## LIGHT AND LENS ASSEMBLY

- 9a. Install light bulbs into powerhead light socket(s).
- 9b. Insert lower lens tabs into slots in motor cover on powerhead.
- 9c. Snap upper lens tabs into place. It may be necessary to squeeze tabs down slightly to align tabs with slots at top of opener frame.

### ⚠ CAUTION

DO NOT exceed maximum wattage, as the unit may overheat and permanent damage may occur. Each light bulb should be no more than 60W MAX.

Do not use halogen, short neck, or specialty light bulbs as they may overheat the opener.



Compact CFL, LED, or Incandescent Bulbs can be used. 60W Max.

**★ iDCM models require a minimum 40 Watt equivalent bulb, 60 Watt maximum.**



Genie LED light bulbs are designed to reduce or eliminate reduced remote range issues caused by common LED bulbs. They also offer better product life by making them resistant to vibration caused by the opener, and cold or damp weather. See website for details at [www.GenieCompany.com](http://www.GenieCompany.com). Recommendations for LED bulbs.

### Installation & critical steps checklist prior to applying power:

- Check to ensure Turnbuckle lock-nuts have been tightened with a wrench (Step 1k) This is a critical step to maintain tension on the chain or belt.
- Check to ensure that wall control and photocells wires have been routed through the channel to make sure they do not touch the light bulbs (Steps 7 & 8).

# 10

## CONNECTING POWER

### For Grounded Outlet connection:

- 10a. Plug in the power cord to standard 115 VAC outlet. Coil excess cord and tape or twist tie it to top of powerhead. (DO NOT PLACE ABOVE LIGHT BULBS.). Proceed to step 10d.

### ⚠ CAUTION

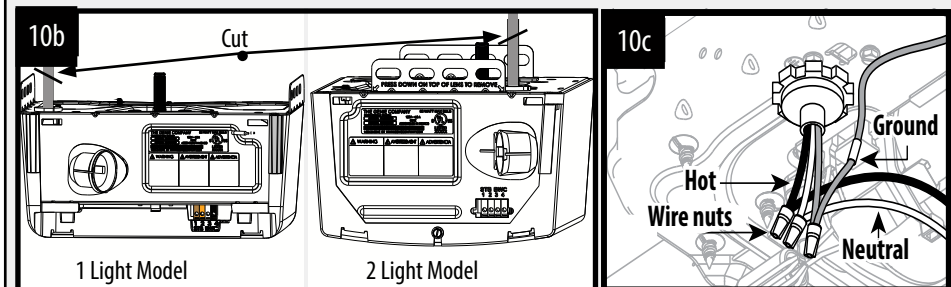
DO NOT run opener until travel limits have been set to avoid damage to unit.

### ⚠ WARNING

Opener is equipped with grounded electrical plug for your protection, and **only fits grounded electrical outlets. DO NOT** alter plug in any way! **If you have no grounded outlets, have one installed by a licensed electrician.** Opener must be properly grounded to prevent personal injury and equipment damage. **NEVER USE AN EXTENSION CORD!** Check local building codes for any requirement that you must have a permanent hard-wired connection.

### For Permanent Wiring by an Electrician:

- 10b. Cut existing power cord OUTSIDE CHASSIS.
- 10c. The wire connections must be made INSIDE CHASSIS and there must be at least 6" of new power supply line wire INSIDE CHASSIS. (Conduit is optional. Conduit, strain relief, and wire nuts are not provided.)



- 10d. Verify that the RED and GREEN lights are lit on the Safe-T-Beam®. If they are lit proceed to step 10e. If they are not lit, return to step 7 and check wiring.
- 10e. Verify that the wall console is lit RED. If it is RED, proceed to step 11. If powerhead LED is blinking blue, slide the Sure-Lock® button on the console. If the console is not lit RED, return to step 8 and check wiring.

# 11

## INSTALLATION IS COMPLETE. OPENER IS NOW READY TO PROGRAM!

Refer to the **Operation and Maintenance Manual for programming and Battery Backup installation instructions.**