

270 614



Congratulations on your purchase of a Hampton Bay ceiling fan. Your new fan will be a beautiful addition to your home, and will keep you comfortable throughout the year.

The Hampton Bay Fan Company offers a wide variety of ceiling fans. We offer combinations of wood and brass finishes, solid designer colors, and our

unique glass and crystal designs. A large selection of light fixtures and light kits is also available. Ask your dealer about other accessories that will allow you to further customize your fan.

We're certain that your Hampton Bay fan will provide you with many years of comfort, energy savings and satisfaction. To ensure your personal safety and to maximize the performance of your fan, please read this manual thoroughly.

Littleton 42 in Ceiling Fan Owner's Manual

Littleton
Ventilador de Techo de 1.07 m
Manual del Propietario



Littleton™ by Hampton Bay

15-Year Limited Warranty

The retailer warrants the fan motor to be free from defects in workmanship and material present at time of shipment from the factory for a period of fifteen years after the date of purchase by the original purchaser. The retailer also warrants that all other fan parts, excluding any glass or plexiglass blades, to be free from defects in workmanship and material at the time of shipment from the factory for a period of one year after the date of purchase by the original purchaser. We agree to correct such defects without charge or at our option replace with a comparable or superior model if the product is returned to the retailer. To obtain warranty service, you must present a copy of the receipt as proof of purchase. All costs of removing and reinstalling the product are your responsibility. Damage to any part such as by accident or misuse or improper installation or by affixing any accessories, is not covered by this warranty. Because of varying climatic conditions in the United States this warranty does not cover any changes in brass finish, including rusting, pitting, corroding, tarnishing or peeling. Brass finishes of this type give their longest useful life when protected from varying weather conditions. A certain amount of "wobble" is normal and should not be considered a defect. Servicing performed by unauthorized persons shall render the warranty invalid. There is no other express warranty. The retailer hereby disclaims any and all warranties, including but not limited to, those of merchantability and fitness for a particular purpose to the extent permitted by law. The duration of any implied warranty which cannot be disclaimed is limited to the time period as specified in the express warranty. Some states do not allow limitation on how long an implied warranty lasts, so the above limitation may not apply to you. The retailer shall not be liable for incidental, consequential, or special damages arising out of or in connection with product use or performance except as may otherwise be accorded by law. Some states do not allow the exclusion of incidental or consequential damages, so the above exclusion or limitation may not apply to you. This warranty gives specific legal rights, and you may also have other rights which vary from state to state. This warranty supersedes all prior warranties.

Date Purchased _____
Store Purchased _____
Model No. _____
Serial No. _____
Vendor No. 13137
SKU: 270-614 UPC: 851725 005012

Distributed by Home Depot U.S.A., Inc.
2455 Paces Ferry Rd., N.W.
Atlanta, GA 30339

HDW20 E-YD

3. Installing Your Fan

Tools Required

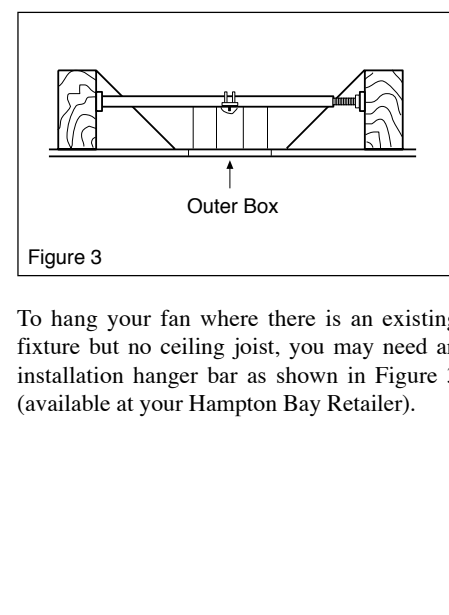
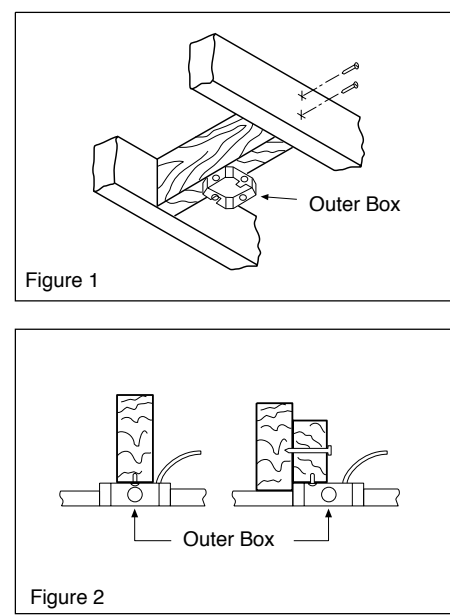
Phillips screwdriver, straight slot screwdriver, adjustable wrench, step ladder, and wire cutters.

Mounting Options

If there isn't an existing UL listed metal mounting box, then read the following instructions. **Disconnect the power by removing fuses or turning off circuit breakers.**

Secure the outlet box directly to the building structure. Use appropriate fasteners and building materials. The outlet box and its support must be able to fully support the moving weight of the fan (at least 50 lbs.). **Do not use plastic outlet boxes.**

Figures 1 and 2 are examples of different ways to mount the outlet box.



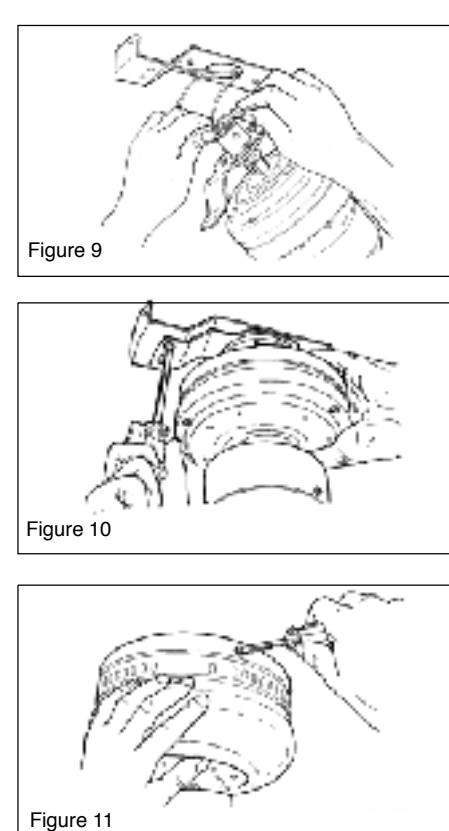
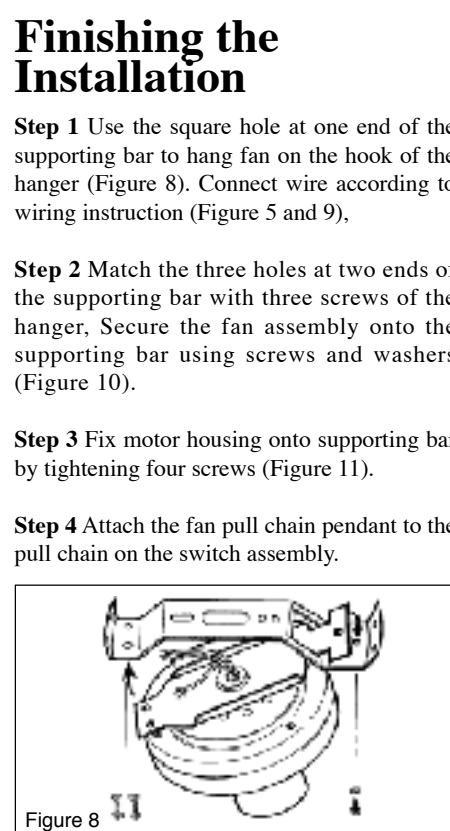
6. Installing Your Fan

WARNING
EACH WIRE NOT (WIRE CONNECTOR) SUPPLIED WITH THIS FAN IS DESIGNED TO ACCEPT UP TO ONE 12 GAUGE HOUSE WIRE AND TWO WIRES FROM THE FAN. IF YOU HAVE LARGER THAN 12 GAUGE HOUSE WIRING OR MORE THAN ONE HOUSE WIRE TO CONNECT TO THE FAN WIRING, CONSULT AN ELECTRICIAN FOR THE PROPER SIZE WIRE NUTS TO USE.

WARNING
CHECK TO SEE THAT ALL CONNECTIONS ARE TIGHT, INCLUDING GROUND, AND THAT NO BARE WIRE IS VISIBLE AT THE WIRE NUTS, EXCEPT FOR THE GROUND WIRE.

If you wish to control the light from a wall switch and the fan from the pull chain switch or if you wish to control both fan and light from wall switches, refer to the wiring diagrams in Figures 6 and 7.

If you choose to install another light kit, it must be a UL Listed light kit accessory marked suitable for use with this fan. Follow the instruction packed with the light kit.



9. Operating Your Fan

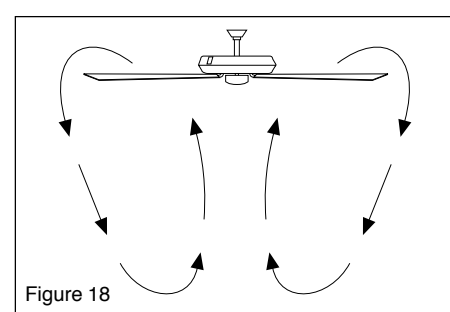
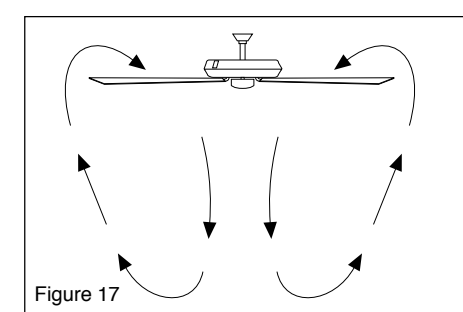
Turn on the power and check the operation of the fan. The pull chain controls the fan speed as follows: 1 pull - High, 2 pulls - Medium, 3 pulls - Low, and 4 pulls - Off.

Speed settings for warm or cool weather depend on factors such as the room size, ceiling height, number of fans, and so on.

The slide switch controls direction: forward (switch down) or reverse (switch up).*

Warn weather - (Forward) A downward air flow creates a cooling effect as shown in Figure 17. This allows you to set your air conditioner on a higher setting without affecting your comfort.

Cool weather - (Reverse) An upward airflow moves warm air off the ceiling area as shown in Figure 18. This allows you to set your heating unit on a lower setting without affecting your comfort.



12. Specifications

FAN SIZE	SPEED	VOLTS	AMPS	WATTS	RPM	CFM	N.W.	G.W.	C.F.
42"	Low	120	0.25	25	104	1302	3.7kg	4.2kg	0.61
	Med.	120	0.26	30	172	2202			
	High	120	0.36	43	219	2968			

These are approximate measures. They do not include Amps and Wattage used by the light kit.

1. Safety Rules

- To reduce the risk of electric shock, insure electricity has been turned off at the circuit breaker or fuse box before beginning.
- All wiring must be in accordance with the National Electrical Code, ANSI/NFPA 70-1999, and local electrical codes. Electrical installation should be performed by a qualified licensed electrician.
- WARNING:** To reduce the risk of electrical shock and fire, do not use this fan with any solid-state fan speed control device.
- The outlet box and support structure must be securely mounted and capable of reliably supporting a minimum of 55 pounds. Use only UL Listed outlet boxes marked "FOR FAN SUPPORT."

WARNING
TO REDUCE THE RISK OF FIRE, ELECTRICAL SHOCK OR PERSONAL INJURY, MOUNT TO AN OUTLET BOX ACCEPTABLE FOR FAN SUPPORT OF 15.0KG (33 LBS) OR LESS. USE MOUNTING SCREWS PROVIDED WITH THE OUTLET BOX. MOST OUTLET BOXES COMMONLY USED FOR THE SUPPORT OF LIGHTING FIXTURES ARE NOT ACCEPTABLE FOR FAN SUPPORT AND MAY NEED TO BE REPLACED. CONSULT A QUALIFIED ELECTRICIAN IF IN DOUBT.

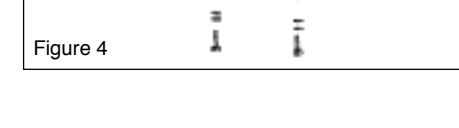
IMPORTANT
BEFORE SERVICING OR CLEANING UNIT SWITCH POWER OFF AT SERVICE PANEL AND LOCK SERVICE DISCONNECTING MEANS TO PREVENT POWER FROM BEING SWITCHED ON ACCIDENTALLY. WHEN THE SERVICE DISCONNECTING MEANS CANNOT BE LOCKED, SECURELY FASTEN A PROMINENT WARNING DEVICE, SUCH AS A TAG, TO THE SERVICE PANEL.

4. Installing Your Fan

Hanging the Fan

You are now ready to make the electrical connections. Wire your fan according to the instructions in the following section.

Secure the supporting bar to the ceiling outlet box as shown in Figure 4 by using two screws and washers (not provided). Make sure the supporting bar is level. You may need to insert additional washers (not provided) between the outlet box and the supporting bar to make it level.



Follow the steps below to connect the fan to your household wiring. Use the plastic wire splice connectors supplied with your fan. Secure the connectors with electrical tape. Make sure there are no loose strands or connections.

NOTE: The fan motor assembly must be temporarily supported while making the electrical connections. Suspend the motor with heavy gauge wire (such as a coat hanger) or have someone assist you.

Making the Electrical Connections

If you feel that you do not have enough electrical wiring knowledge or experience, have your fan installed by a licensed electrician.

WARNING
TO AVOID POSSIBLE ELECTRICAL SHOCK, BE SURE ELECTRICITY IS TURNED OFF AT THE MAIN FUSE BOX BEFORE WIRING. NOTE: IF YOU ARE NOT SURE THE ELECTRICAL BOX AND FAN ARE GROUNDED, CONTACT A LICENSED ELECTRICIAN FOR ADVICE. THEY MUST BE GROUNDED FOR SAFE OPERATION.

NOTE: The fan motor assembly must be temporarily supported while making the electrical connections. Suspend the motor with heavy gauge wire (such as a coat hanger) or have someone assist you.

Step 1 Connect the fan supply (black) wire and light supply (blue) wire to the black household wire as shown in Figure 5. Do not connect the blue wire if the light kit is not used.

Step 2 Connect the neutral fan (white) wire to the white neutral household wire.

Step 3 Connect the fan ground wires (green) on the supporting bar and the hanger, to the household ground wire.

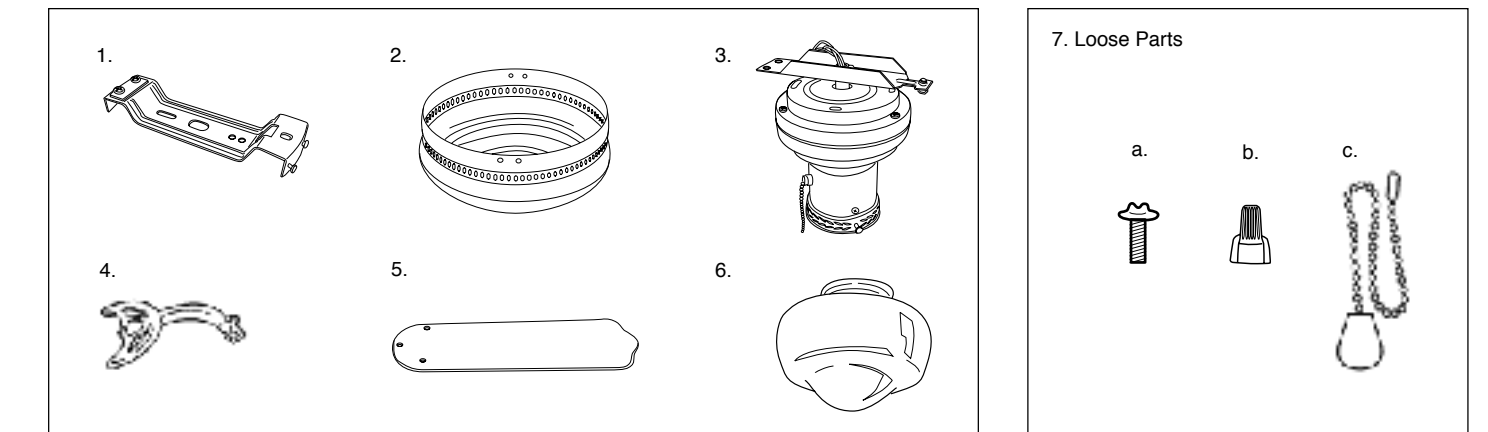
Step 4 After connecting the wires, secure the wire splices with black electrical tape and spread them apart so that the green and white wires are on one side of the outlet box and the black and blue wires are on the other side, (i.e., grounded conductor on one side and hot wires on the other side.)

Table of Contents

Safety Rules	1
Unpacking Your Fan	2
Installing Your Fan	3
Light Kit Installation	8
Operating Your Fan	9
Care of Your Fan	10
Troubleshooting	11
Specifications	12

WARNING
DO NOT INSTALL OR USE FAN IF ANY PART IS DAMAGED OR MISSING. CALL TOLL FREE 1-800-527-3975

2. Unpacking Your Fan



Unpack your fan and check the contents. You should have the following items:

- Supporting Bar
- Motor Housing
- Fan Motor with Switch Housing
- Set of Blade Holders (4) with blade holder screws pre-installed
- Set of Blades (4)
- Glass Shade
- Loose Parts Bags Containing:
 - Machine Screws (13)
 - Wire Nuts (3)
 - Pull Chain Pendant (2)

5. Installing Your Fan

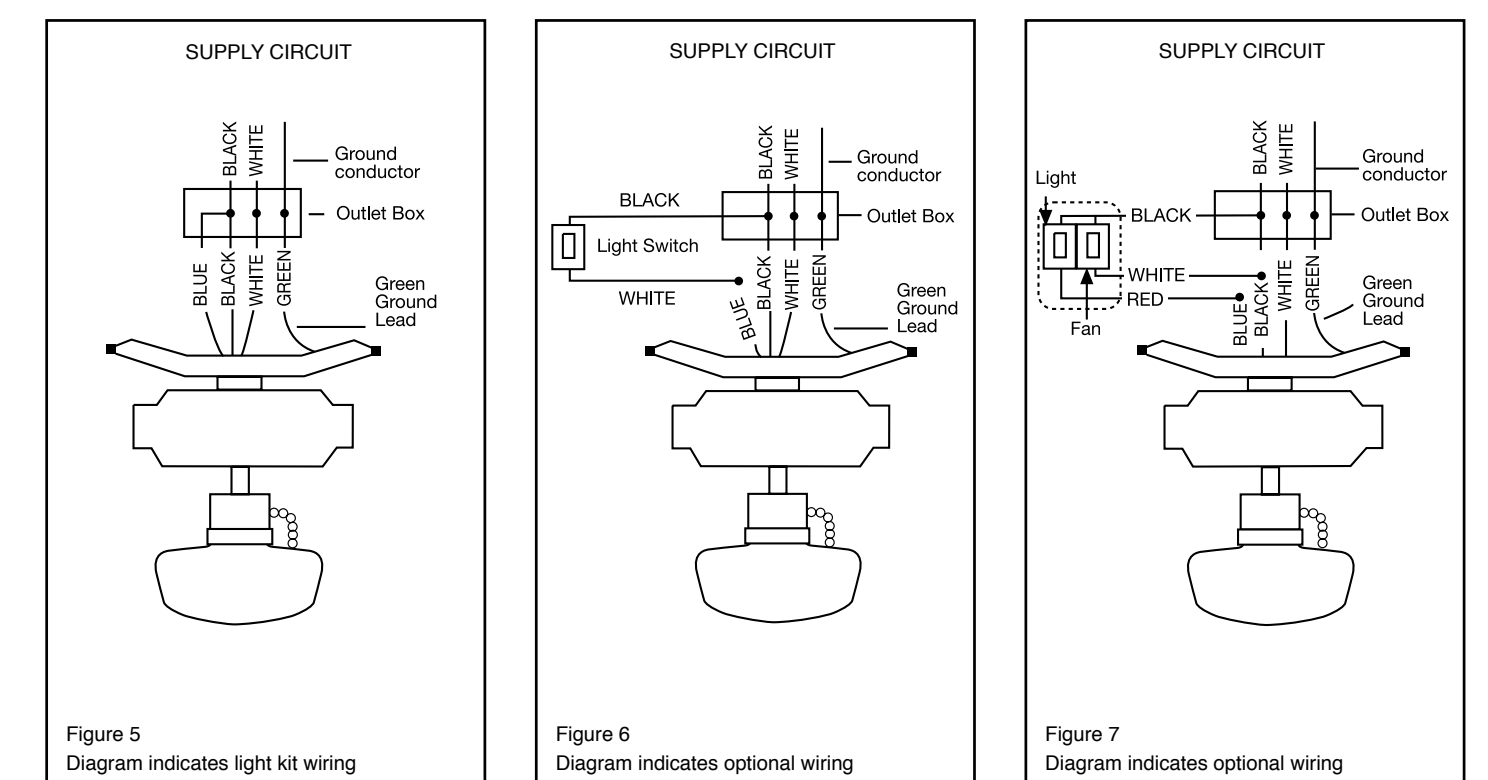


Figure 5
Diagram indicates light kit wiring

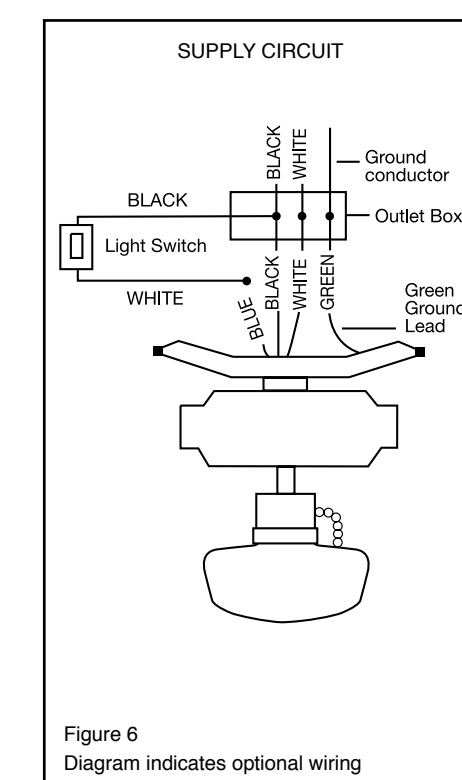


Figure 6
Diagram indicates optional wiring

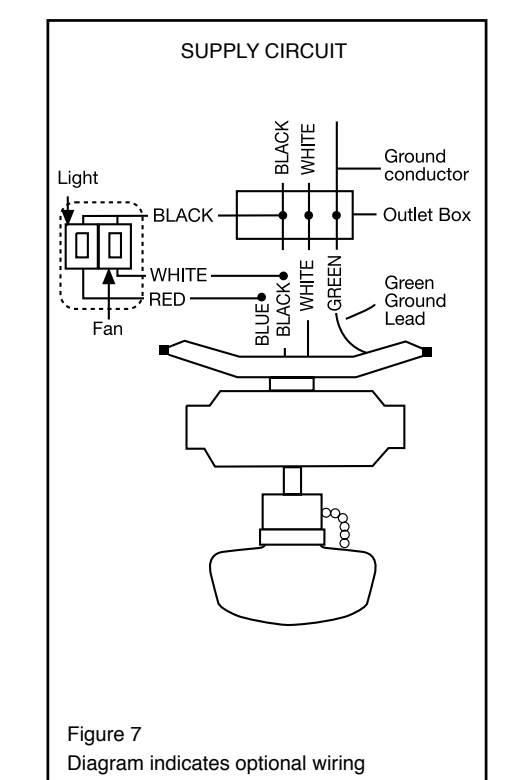


Figure 7
Diagram indicates optional wiring

Figures 6 and 7 illustrate the wiring connections for optional wall control (available at your Hampton Bay Retailer).

8. Light Kit Installation

- Install a light bulb (max. 60W, medium screw base) to the lampholder (Figure 15).
- Install the lamp shade into the lamp fixture by tightening the thumb screws (Figure 16).

WARNING
DO NOT USE PLIERS OR SCREWDRIVERS TO TIGHTEN THE THUMB SCREWS. OVERTIGHTENING OF THE THUMB SCREWS MAY CRACK THE LAMP SHADES.

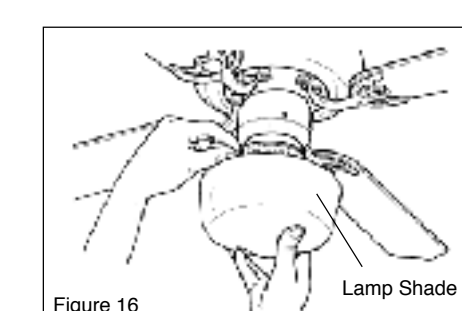
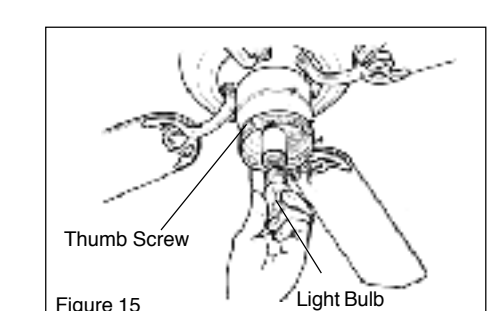


Figure 15

Figure 16

7. Installing Your Fan

Attaching the Fan Blades

Note: Your fan blades are reversible. Select the blade side finish which best accentuates your decor.

- Mount the blade holders to the fan blades using the screws provided - 3 per blade (Figure 12). Please note the rubber washers are pre-attached to the blade holder.
- The fan blade assemblies are to be attached to the motor using the blade holder screws that are pre-installed into the blade holder. The procedure to attach blade assemblies is as follows:

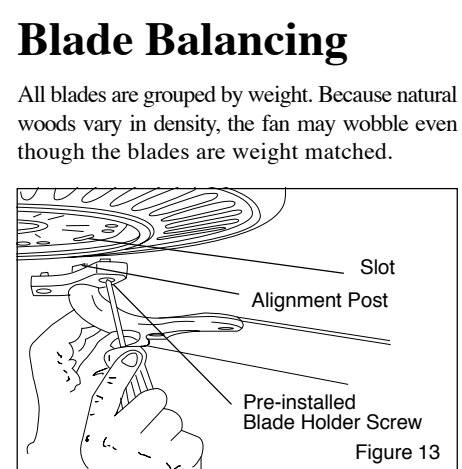
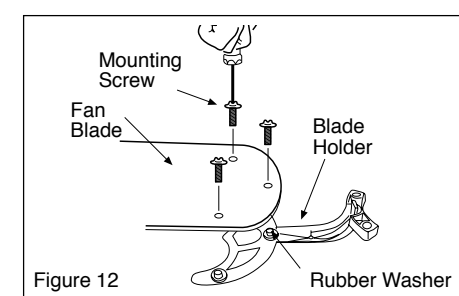


Figure 13

Blade Balancing
All blades are grouped by weight. Because natural woods vary in density, the fan may wobble even though the blades are weight matched.

The following procedure should correct most fan wobble. Check after each step.

- Check that all blade and blade holder screws are secure.
- Most fan wobble problems are caused when blade levels are unequal. Check this level by selecting a point on the ceiling above the tip of one of the blades. Measure this distance as shown in Figure 14. Rotate the fan until the next blade is positioned for measurement. Repeat for each blade. Measurements should be within 1/8".
- If blade wobble is still noticeable, interchanging two adjacent (side by side) blades can redistribute the weight and possibly result in smoother operation.

Figure 14

10. Care of Your Fan

Here are some suggestions to help you maintain your fan.

- Because of the fan's natural movement, some connections may become loose. Check the support connections, brackets, and blade attachments twice a year. Make sure they are secure. (It is not necessary to remove fan from ceiling.)
- Clean your fan periodically to help maintain its new appearance over the years. Use only a soft brush or lint-free cloth to avoid scratching the finish. The plating is sealed with a lacquer to minimize discoloration or tarnishing. Do not use water when cleaning. This could damage the motor, or the wood, or possibly cause an electrical shock.
- You can apply a light coat of furniture polish to the wood blades for additional protection and enhanced beauty. Cover small scratches with a light application of shoe polish.
- There is no need to oil your fan. The motor has permanently lubricated bearings.

IMPORTANT
MAKE SURE THE POWER IS OFF AT THE ELECTRICAL PANEL BOX BEFORE YOU ATTEMPT ANY REPAIRS. REFER TO THE SECTION "MAKING ELECTRICAL CONNECTIONS"

11. Troubleshooting

Problem

Fan will not start.

Solution

- Check circuit fuses or breakers.

Fan sounds noisy.

- Check line wire connections to fan and switch wire connections in a switch housing. **CAUTION:** Make sure main power is off.
- Make sure all motor housing screws are snug.
- Make sure the screws that attach the fan blade bracket to the motor hub are tight.
- Make sure wire nut connections are not rubbing against each other or the interior wall of the switch housing. **CAUTION:** Make sure main power is off.
- Allow a 24-hour "breaking-in" period. Most noises associated with a new fan disappear during this time.
- Some fan motors are sensitive to signals from solid-state variable speed controls. If you have installed this type of control, choose and install another type of control.
- Make sure the motor housing is a short distance from the ceiling. **It should not touch the ceiling.**