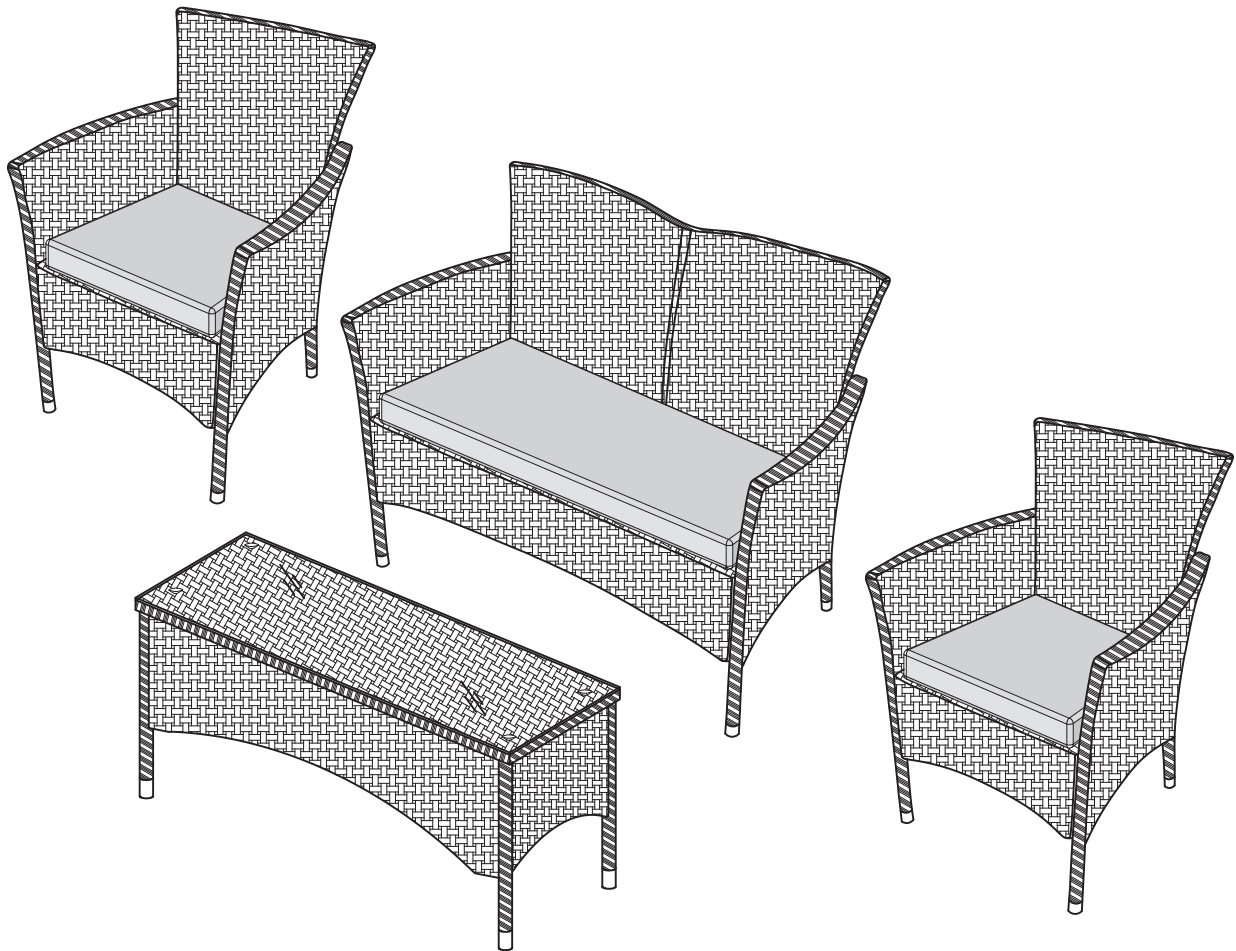


W Walker[®]
Edison
furniture company

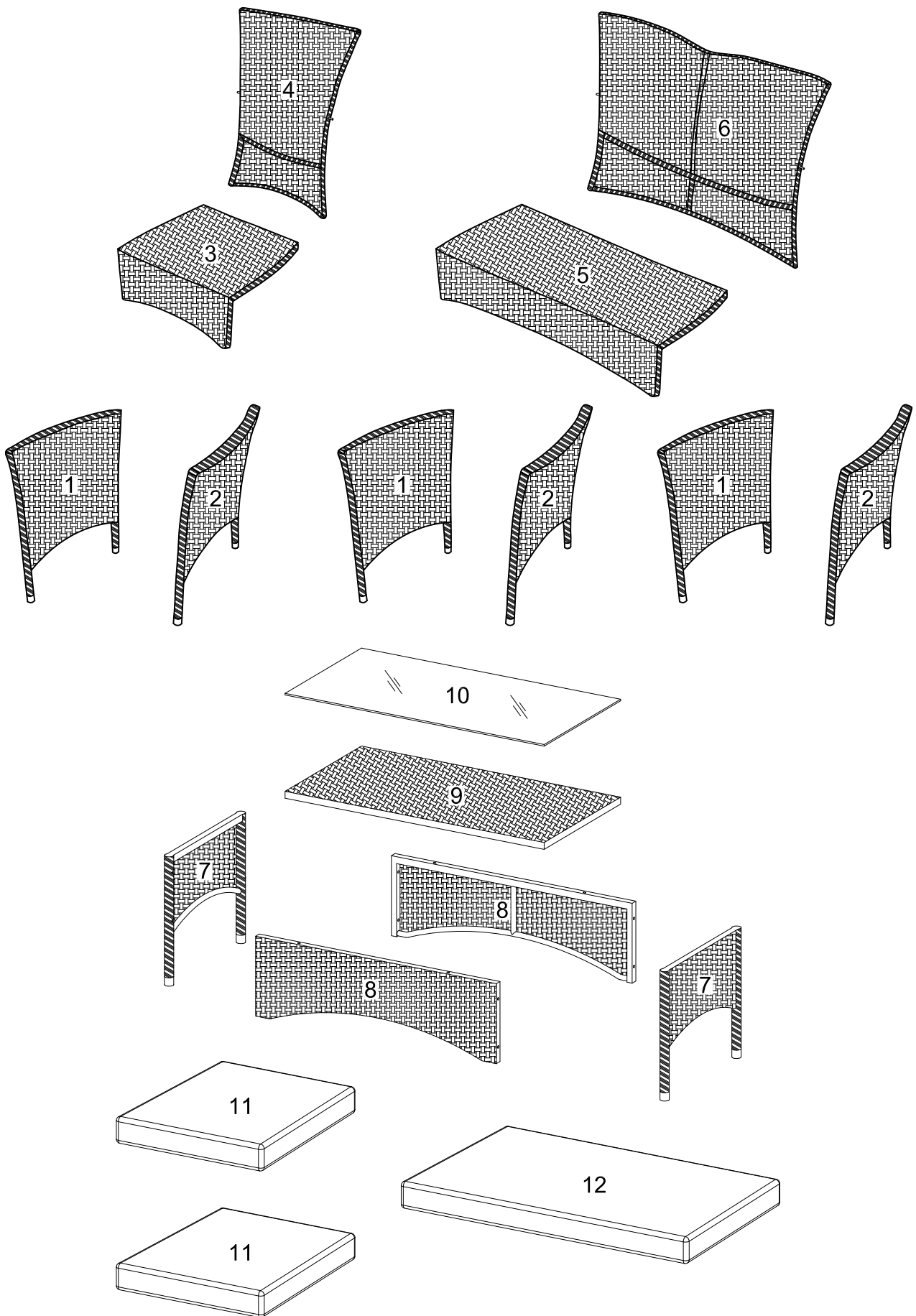
Item # : AHRCS4
Assembly Instructions







For our most current instructions, to request missing, lost or broken parts, or for any other Customer Service issues, please visit our website at www.walkeredison.com or call us at 877-207-5906.

Revised 04/2016

Parts List

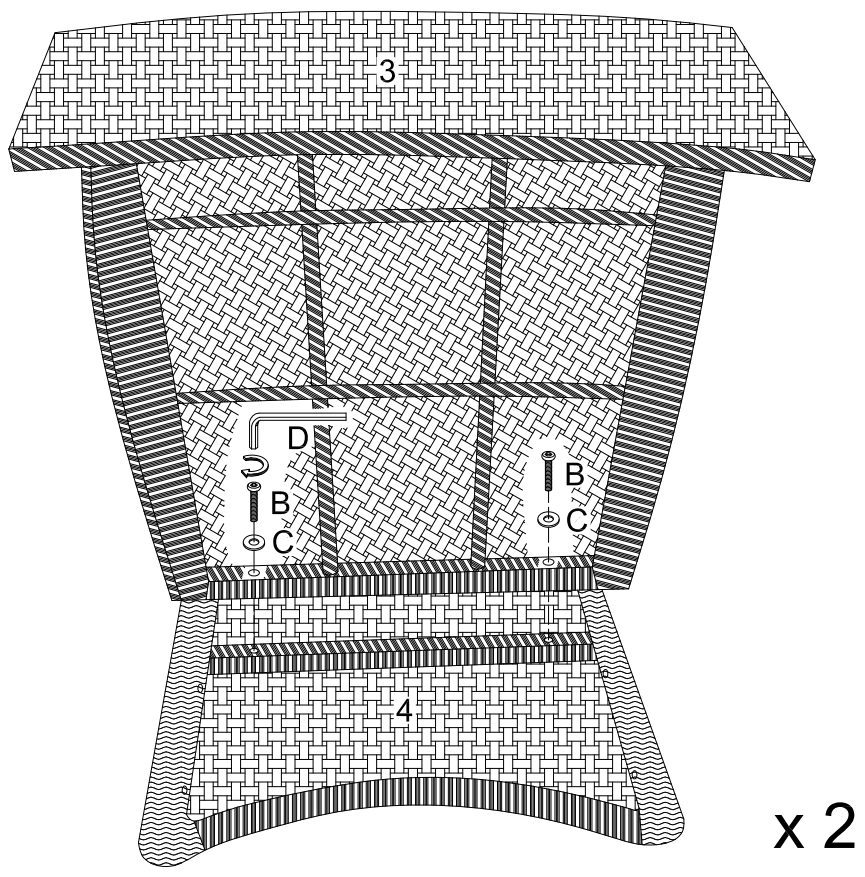


Hardware List

A		M6*35	Bolt	36 pcs
B		M6*40	Bolt	8 pcs
C			Washer	44 pcs
D		M4	Wrench	1 pc

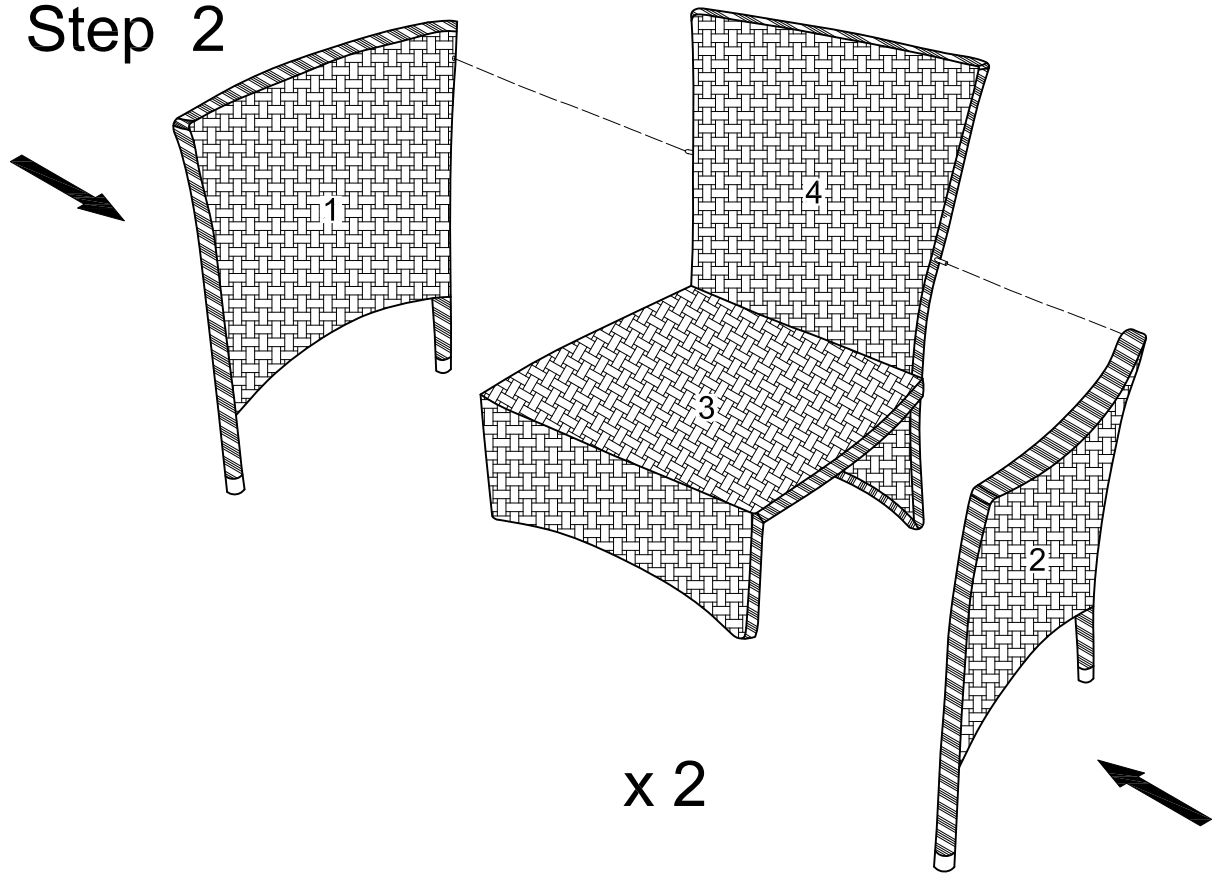
*The hardware quantities listed above are required for proper assembly.
Some extra hardware may also have been included.*

Step 1



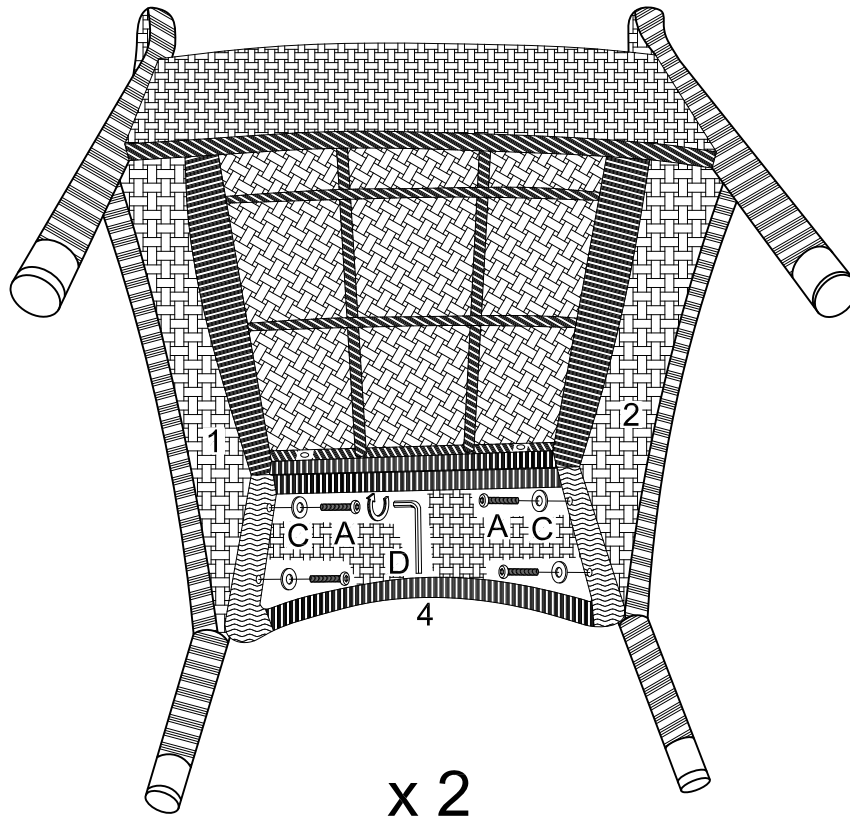
Assemble the seat panel (3) to the back panel (4) by using washer (C), bolt (B) and wrench (D).

Step 2



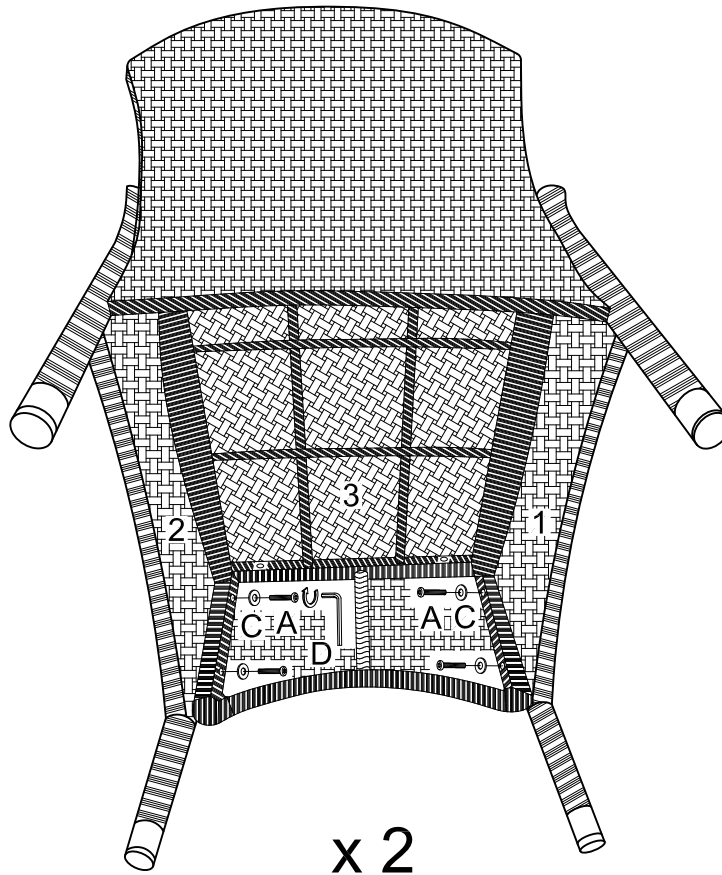
Attach the side frame (1)(2) to the back panel (4) as per diagrams.

Step 3



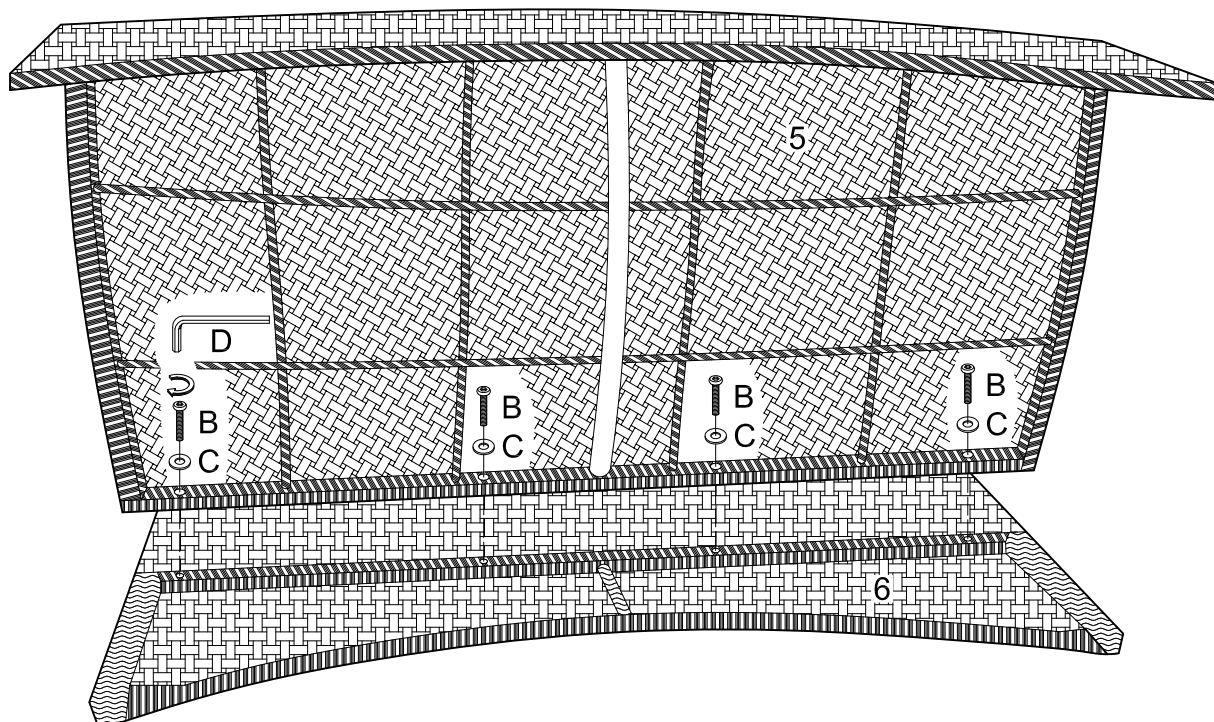
Using washer (C), bolt (A) and wrench (D) to secure the side frame (1)(2) to the back panel (4).

Step 4



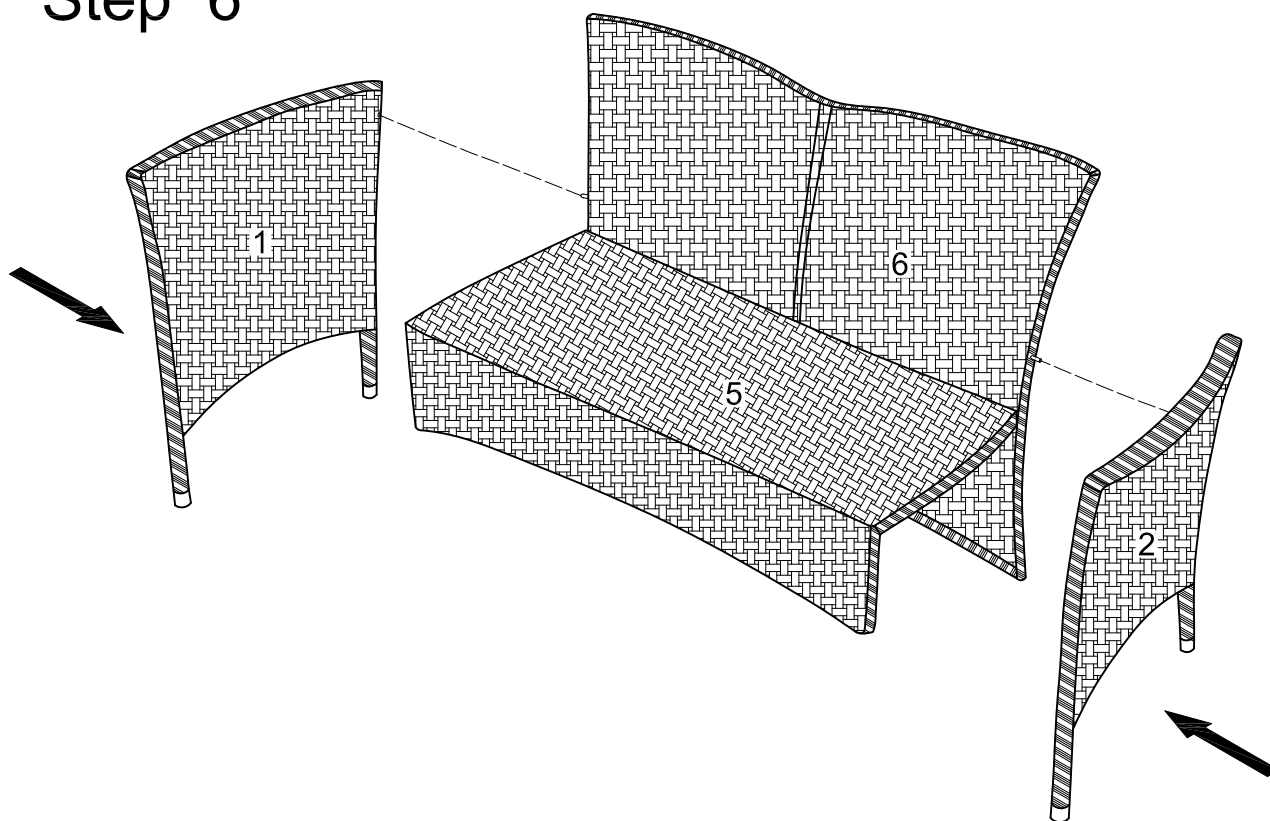
Using washer (C), bolt (A) and wrench (D) to secure the side frame (1)(2) to the seat panel (3).

Step 5



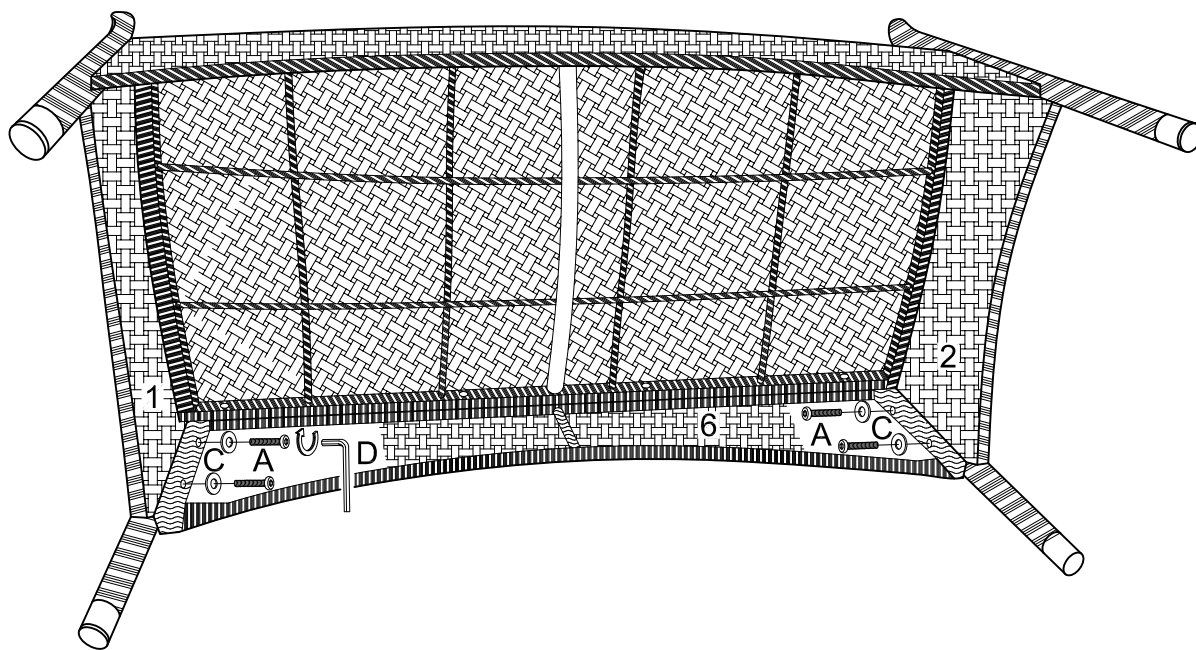
Assemble the seat panel (5) to the back panel (6) by using washer (C), bolt (B) and wrench (D).

Step 6



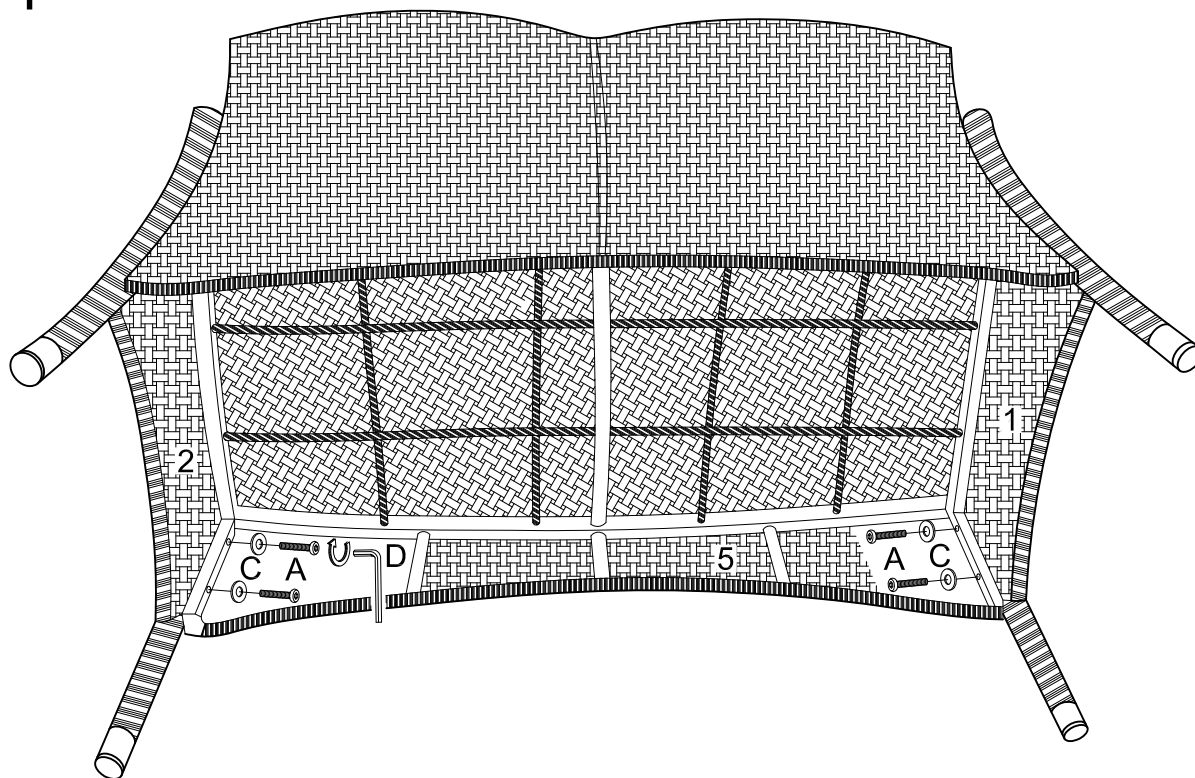
Attach the side frame (1)(2) to the back panel (6) as per diagrams.

Step 7



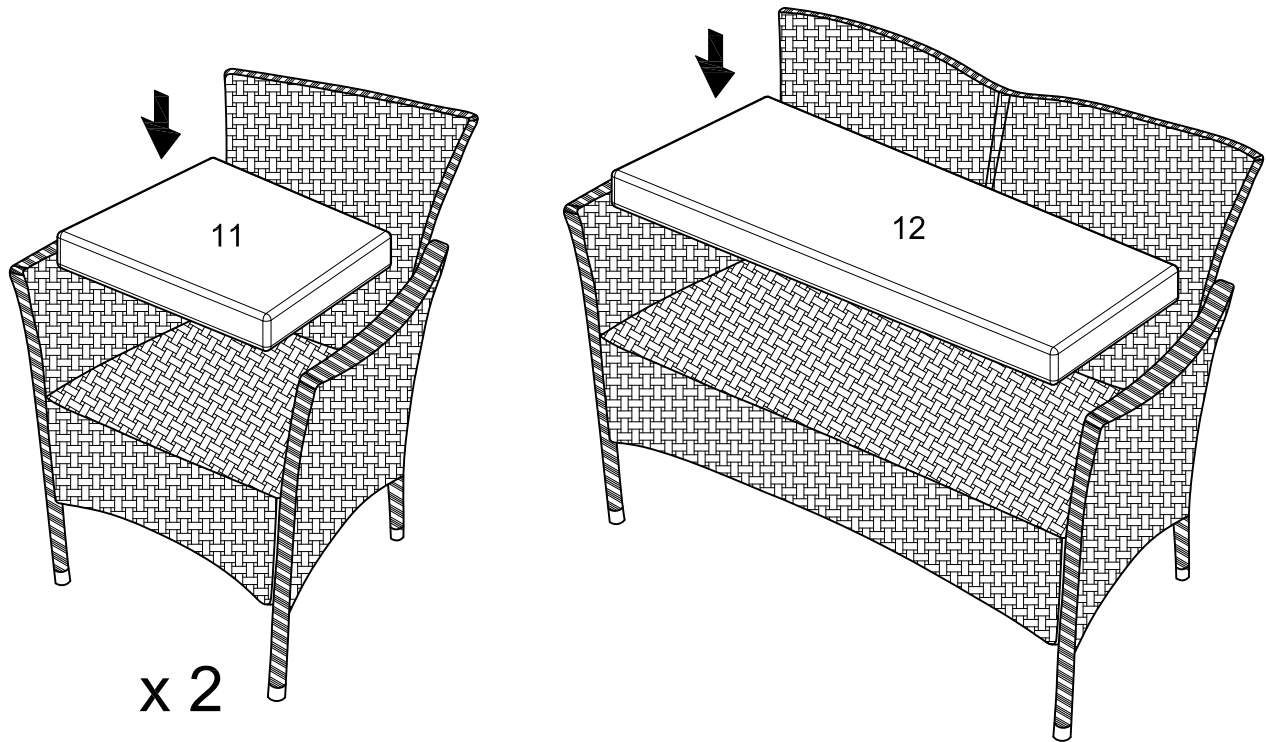
Using washer (C), bolt (A) and wrench (D) to secure the side frame (1)(2) to the back panel (6).

Step 8



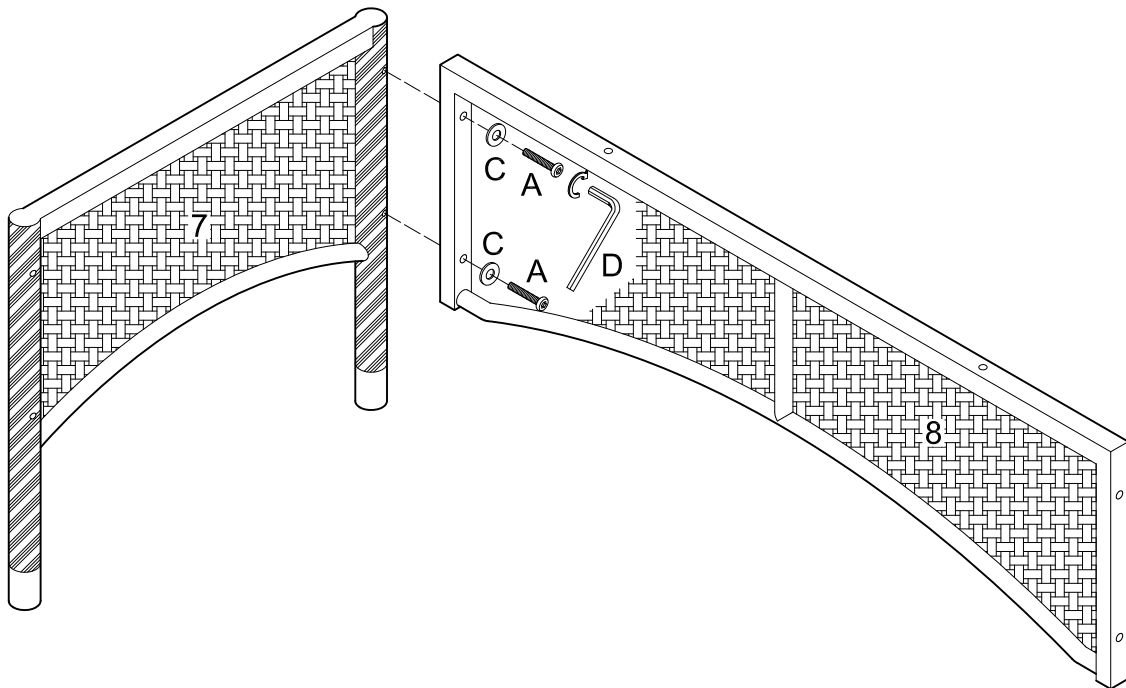
Using washer (C), bolt (A) and wrench (D) to secure the side frame (1)(2) to the seat panel (5).

Step 9



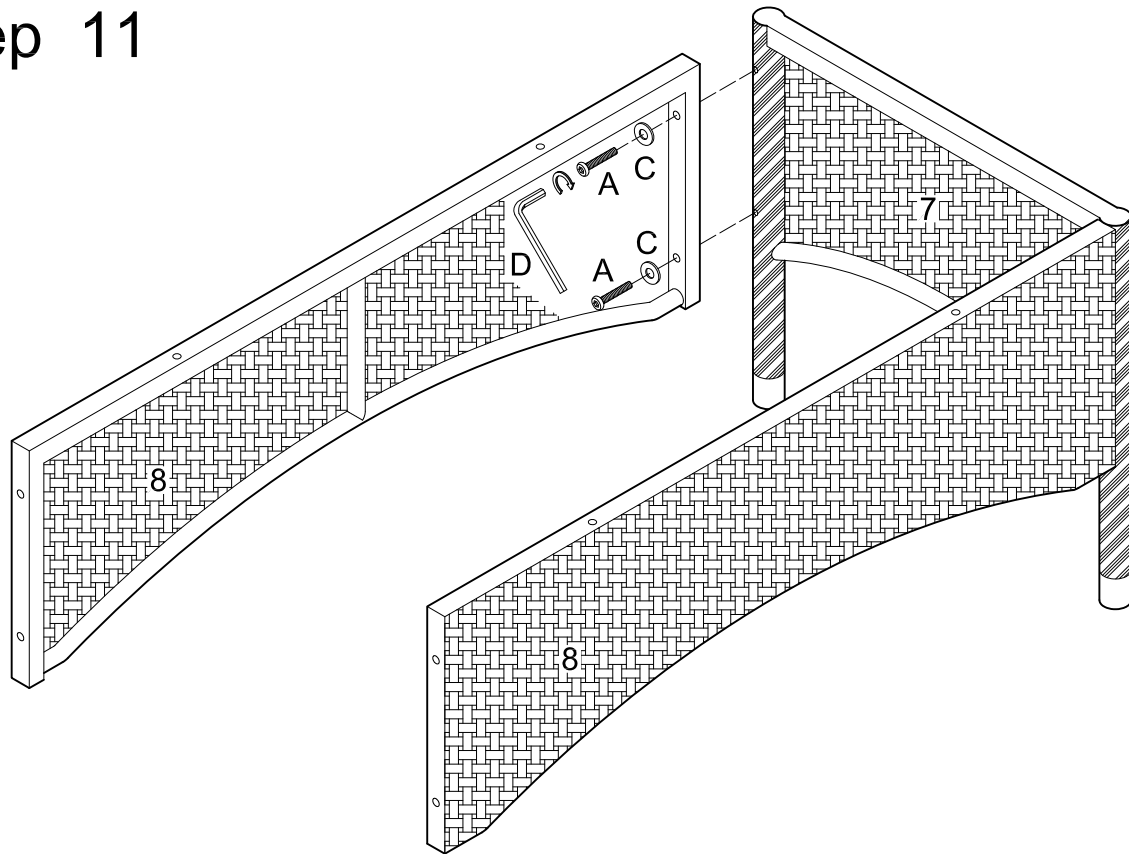
Place the cushions (11) (12) on top of the chairs.

Step 10



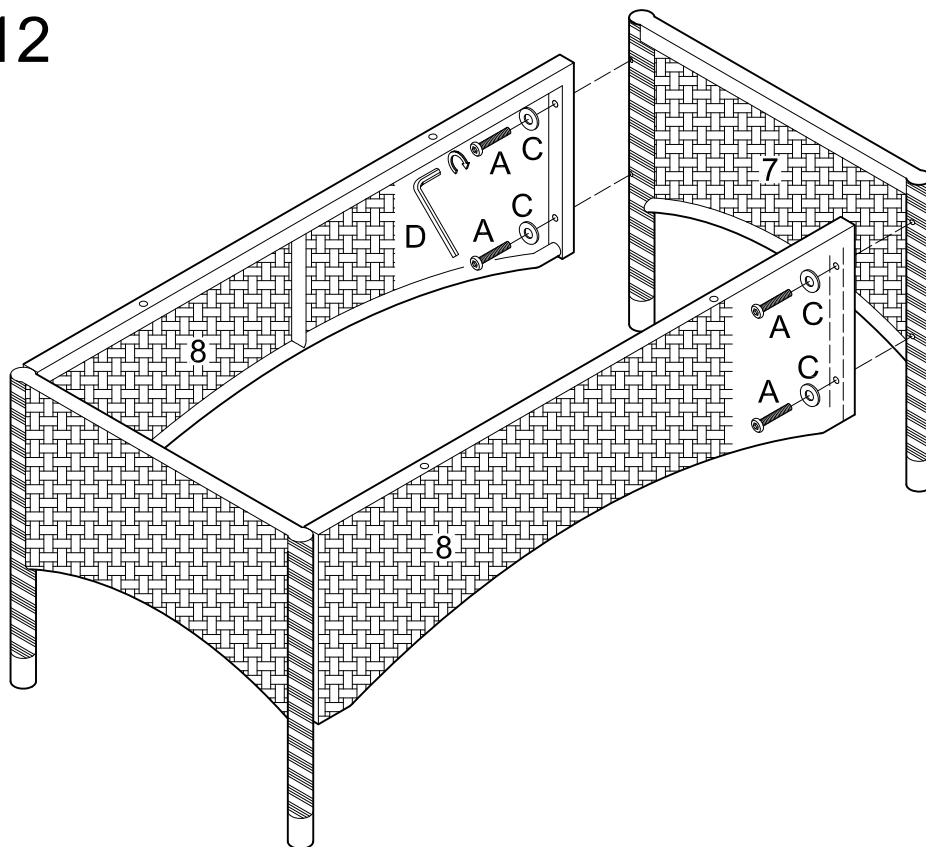
Assemble the support panel (8) to the side panel (7) by using washer (C), bolt (A) and wrench (D).

Step 11



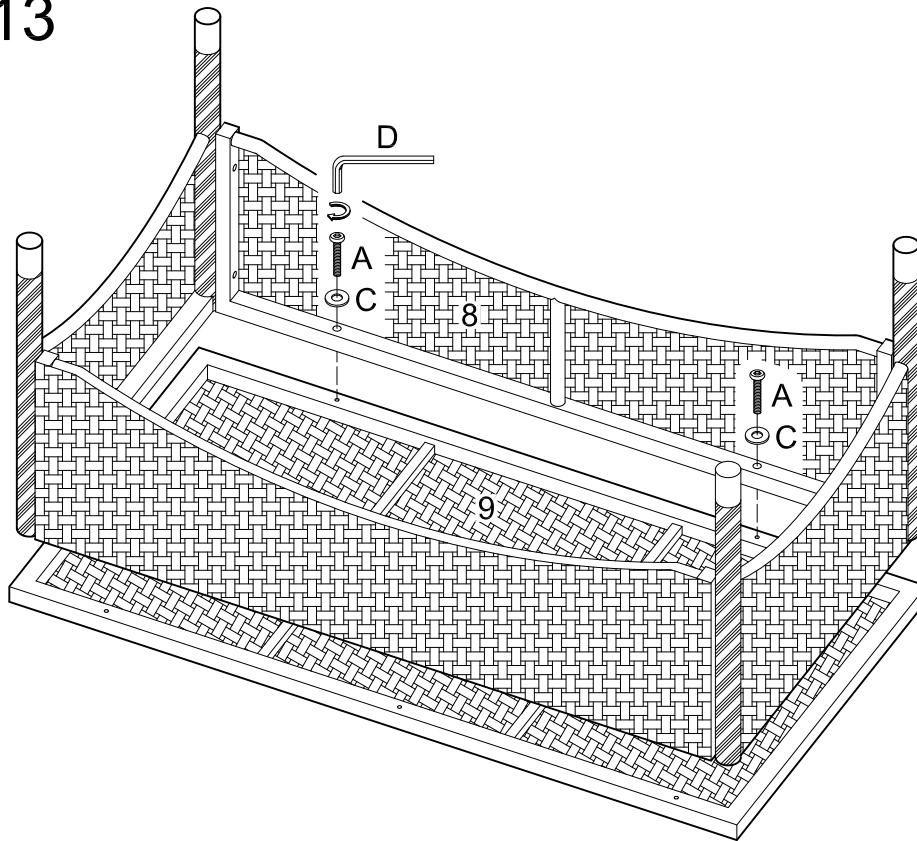
Repeated step #11 for the other side.

Step 12



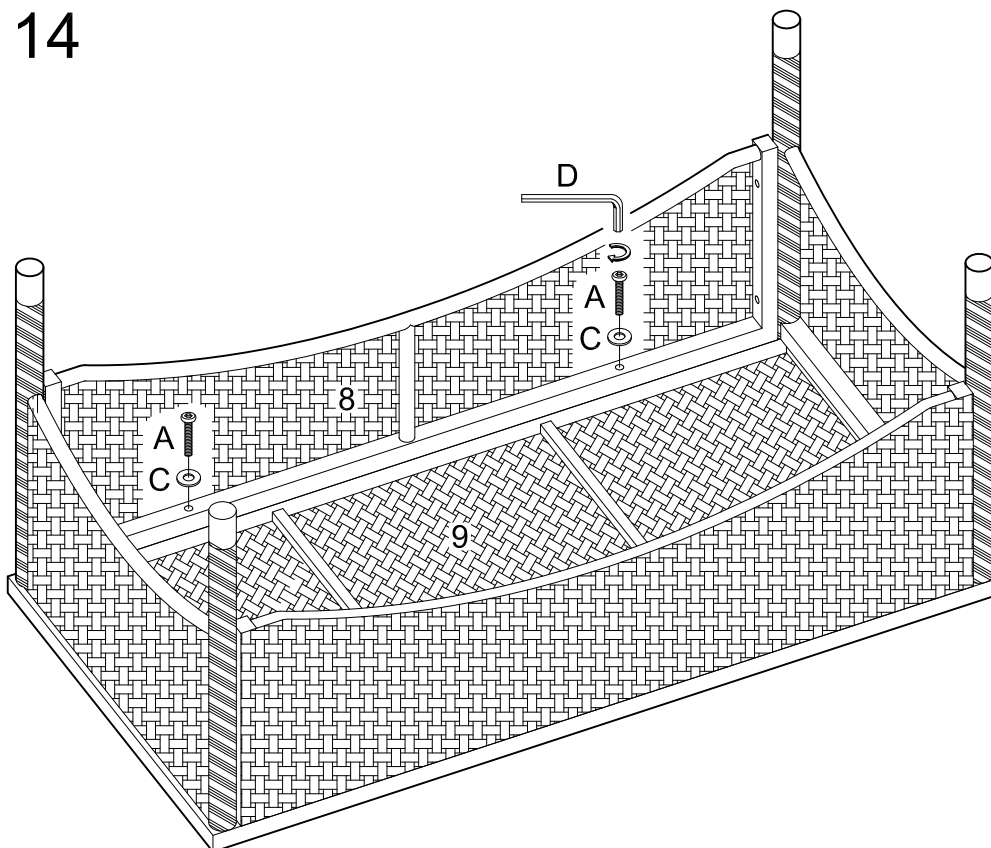
Assemble the other side panel (7) to the side panel (8) by using washer (C), bolt (A), and wrench (D).

Step 13



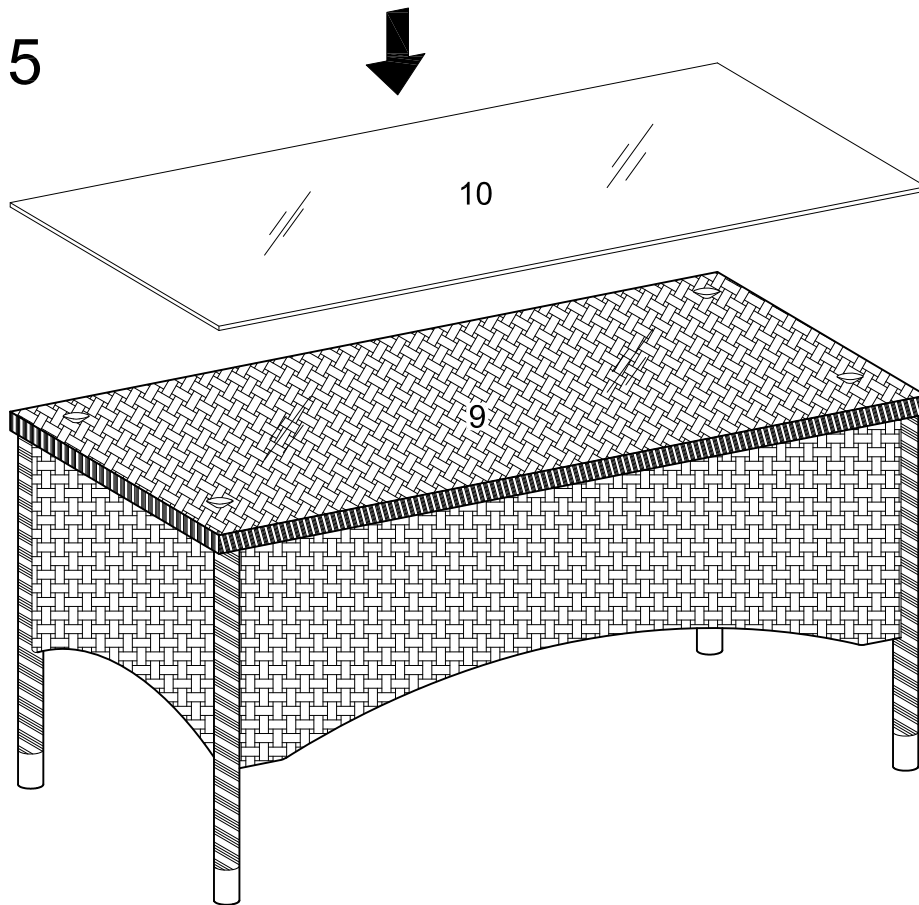
Assemble the side panel (8) to the table top (9) by using washer (C), bolt (A) and wrench (D).

Step 14



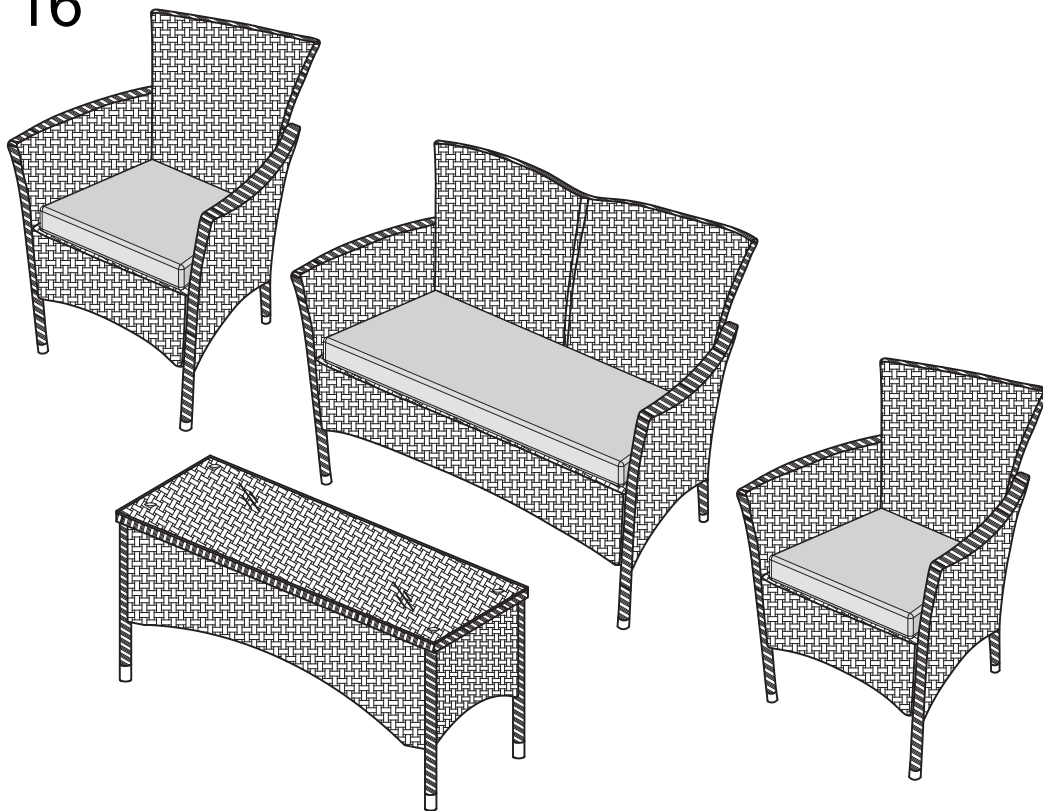
Repeated Step #13 for the other side.

Step 15



Place the glass (10) on top of the table top (9).

Step 16



Final Assembly