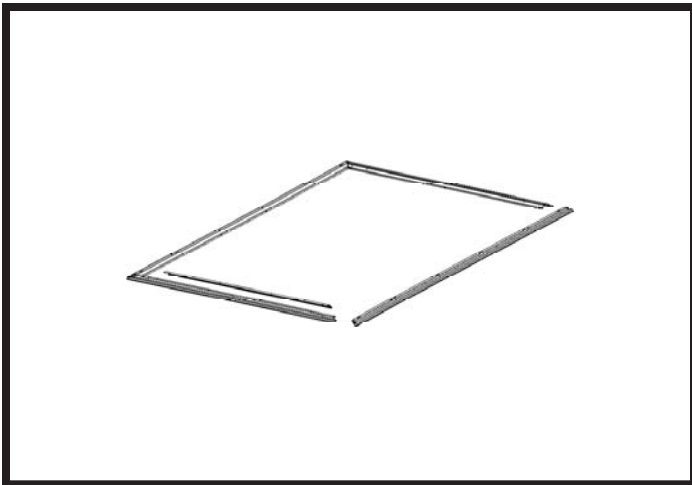
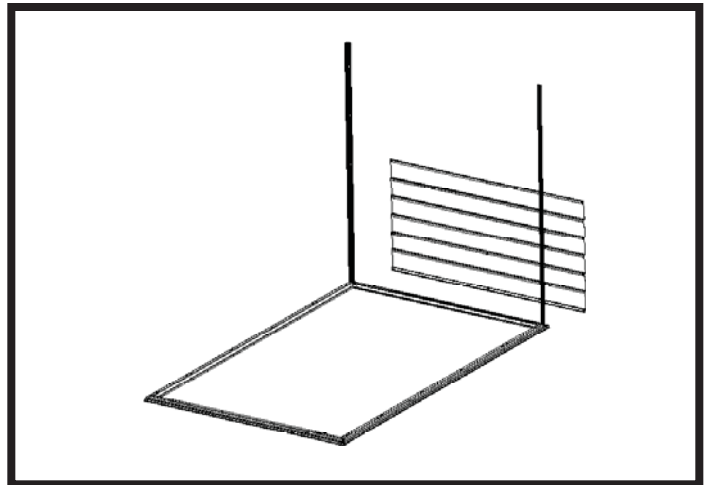


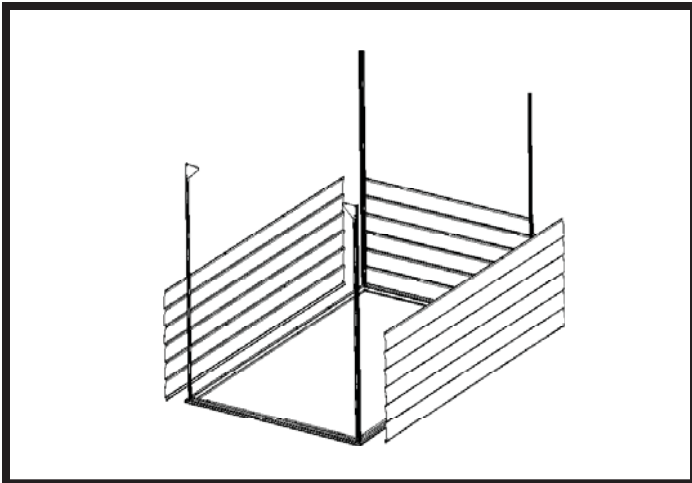
ASSEMBLY OVERVIEW



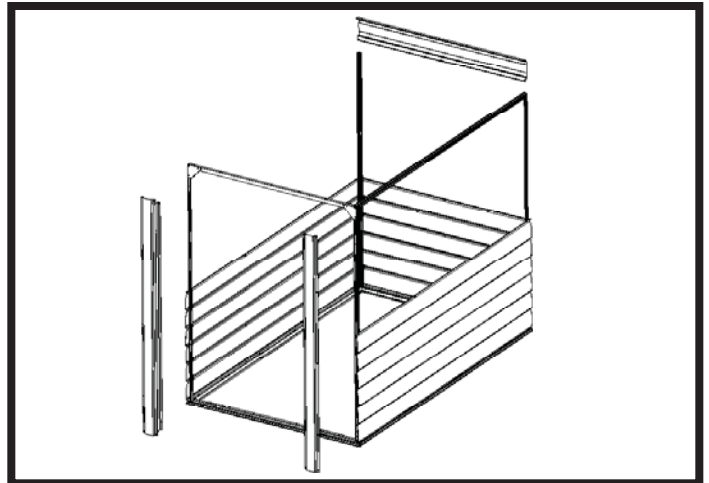
Build the Floor Frame



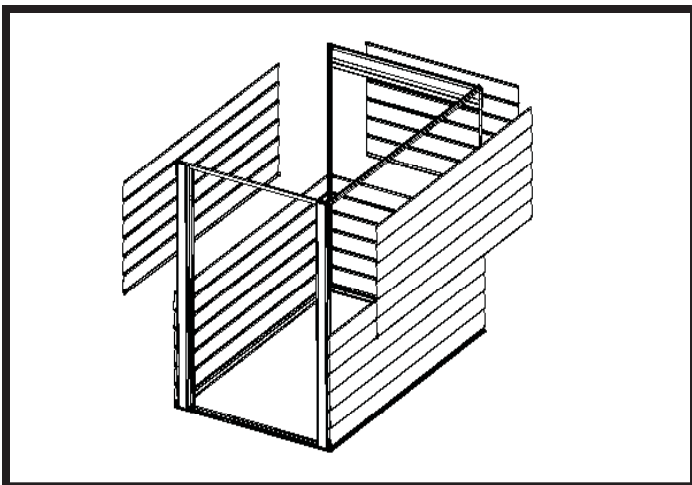
Erect the Back Corners



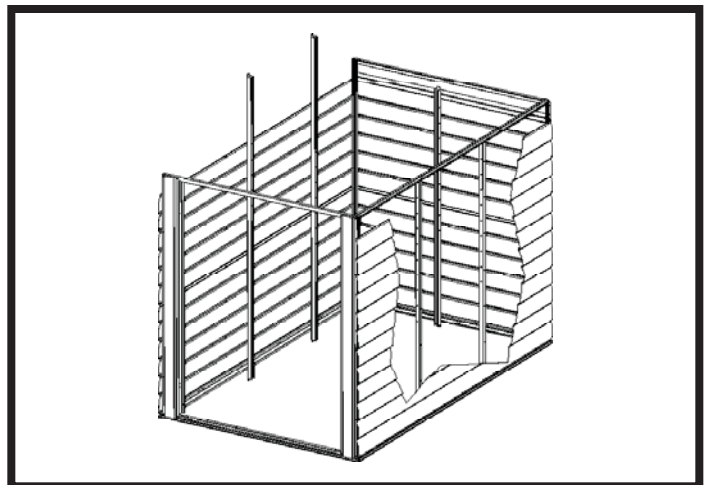
Erect Front Corners



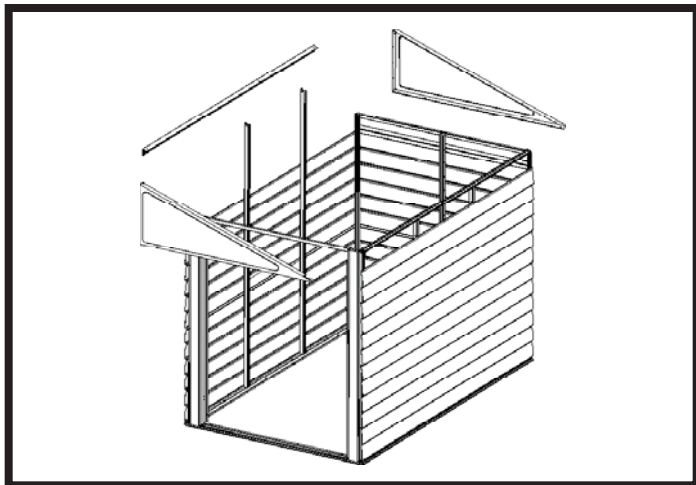
Install Headers & Door Jambs



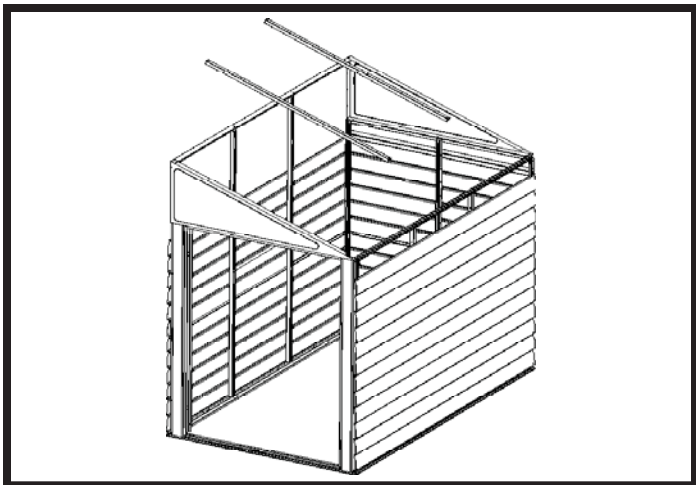
Install Wall Panels



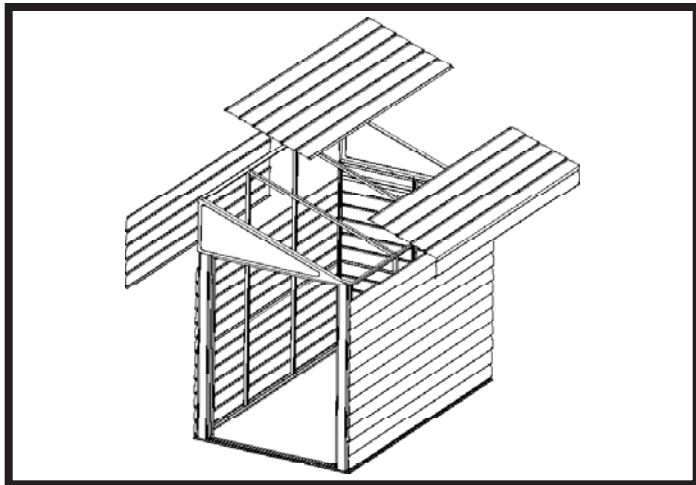
Install Siding Studs



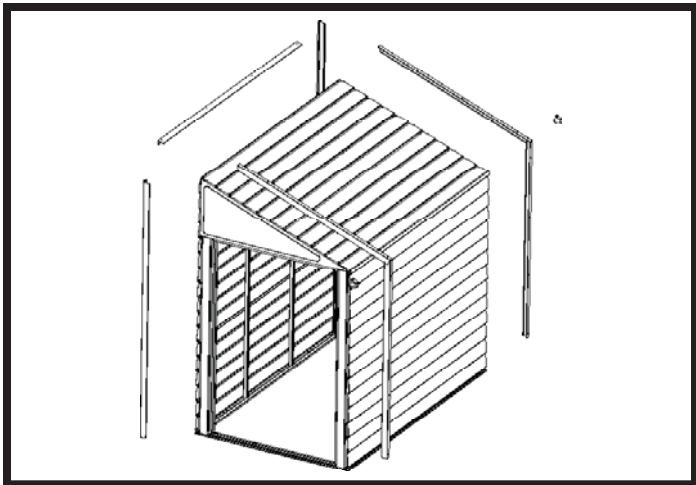
Install Gables



Install Roof Beam



Install Roof Panels



Install Trim & Corner Caps

Install the Doors and you now have a finished shed

