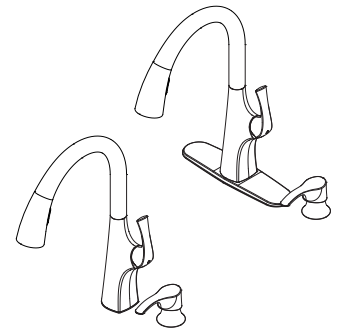


- F529-7LRRB Finish(B)
- F529-7LRRBG Finish(BG)
- F529-7LRRC Finish(C)
- F529-7LRRGS Finish(GS)



Specifications

Features

- 1.8 GPM Flow Rate
- 1, 2, 3 or 4-Hole Installation; Single Hole Mounting or Optional Deckplate
- Auto-Align™ Sprayhead Alignment
- MagnePfit™ Sprayhead Docking
- 3 Function Pull-Down Sprayer (Spray, Stream, and HydroBlade™)
- xx" Extended Hose
- Nylon Braided Hose
- 360° Rotating High Arc Swivel Spout
- Spot Defense™ Finish Resists Spots and Fingerprints (GS Finish Only)
- 3/8" Connection
- Easy to Clean Nozzles
- Flexible PERT Supply Lines
- Forward Handle Operation
- SoloTilt™ One Handed Soap Dispenser Included
- TiteSeal™ Technology
- TopPfit™ Top Mount Installation
- Pfast Connect™
- Pforever Seal Ceramic Disc Valve
- Pforever Warranty®



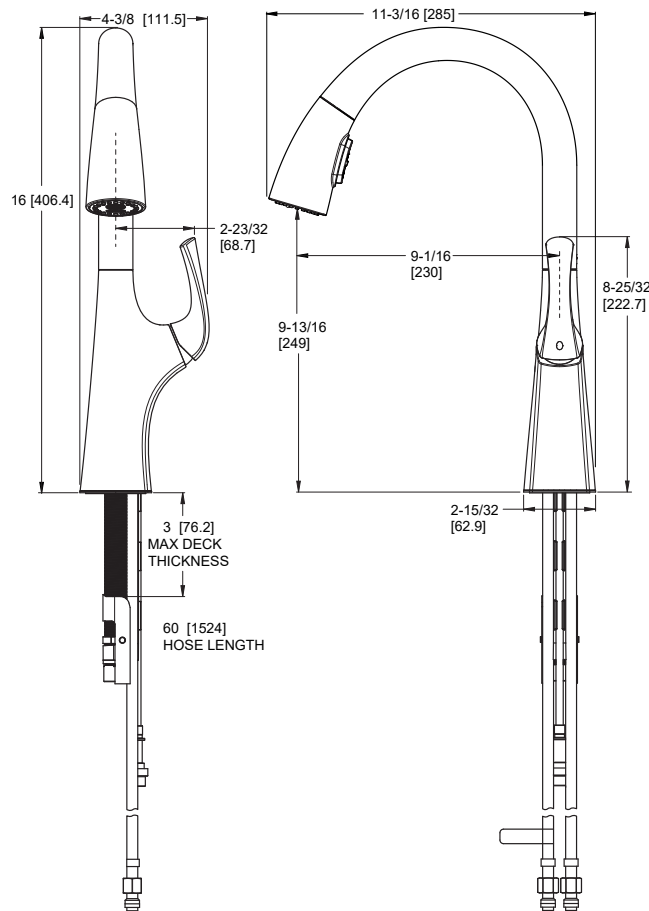
Code Compliance

Pfister products are designed and manufactured in compliance with the following standards and codes:

- IAPMO Certified to ASME A112.18.1/CSA B125.1 including:
 - ASME A112.18.3 (Backflow Prevention)
- NSF 61/9 AnnexG Certified
- EPA WaterSense Certified
- CEC Certified/CALGreen compliant
- ADA Compliant - ANSI A117.1 (Lever Handles Only)

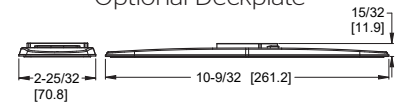


Dimensions

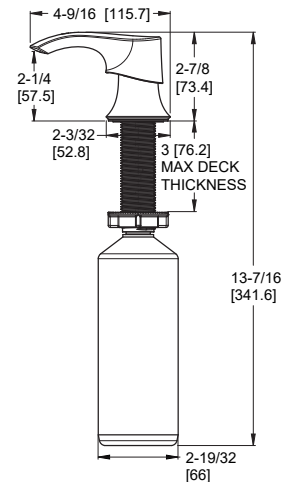


Ø1-3/8 Min to Ø1-1/2 Max. Deck Hole Openings

Optional Deckplate



Top Filling Soap Dispenser



36 Inch Supply Lines with 3/8 Female Compression Brass Connections

