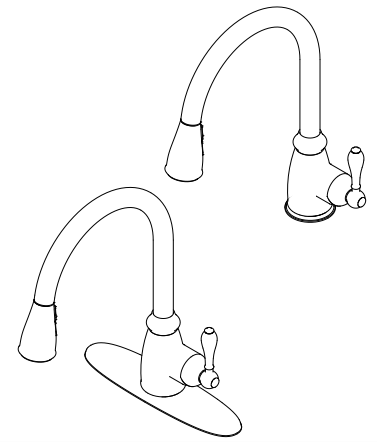


F529-7CNU Finish(U)

F529-7CNY Finish(Y)



- 1 or 3-Hole Installation Spout
- Flex-Line Supply Lines
- Pforever Seal

Specifications

Features

- 1.8 GPM Flow Rate
- 1 or 3-Hole Installation; Deck Plate or Single Hole Mounting Option
- 3 Function Pull-Down Sprayer with Pulse
- High Arc Spout
- 360° Rotating Spout
- Flex-Line Supply Lines
- Quick Install Tool
- Pforever Seal Ceramic Disc Valve
- Pforever Warranty®

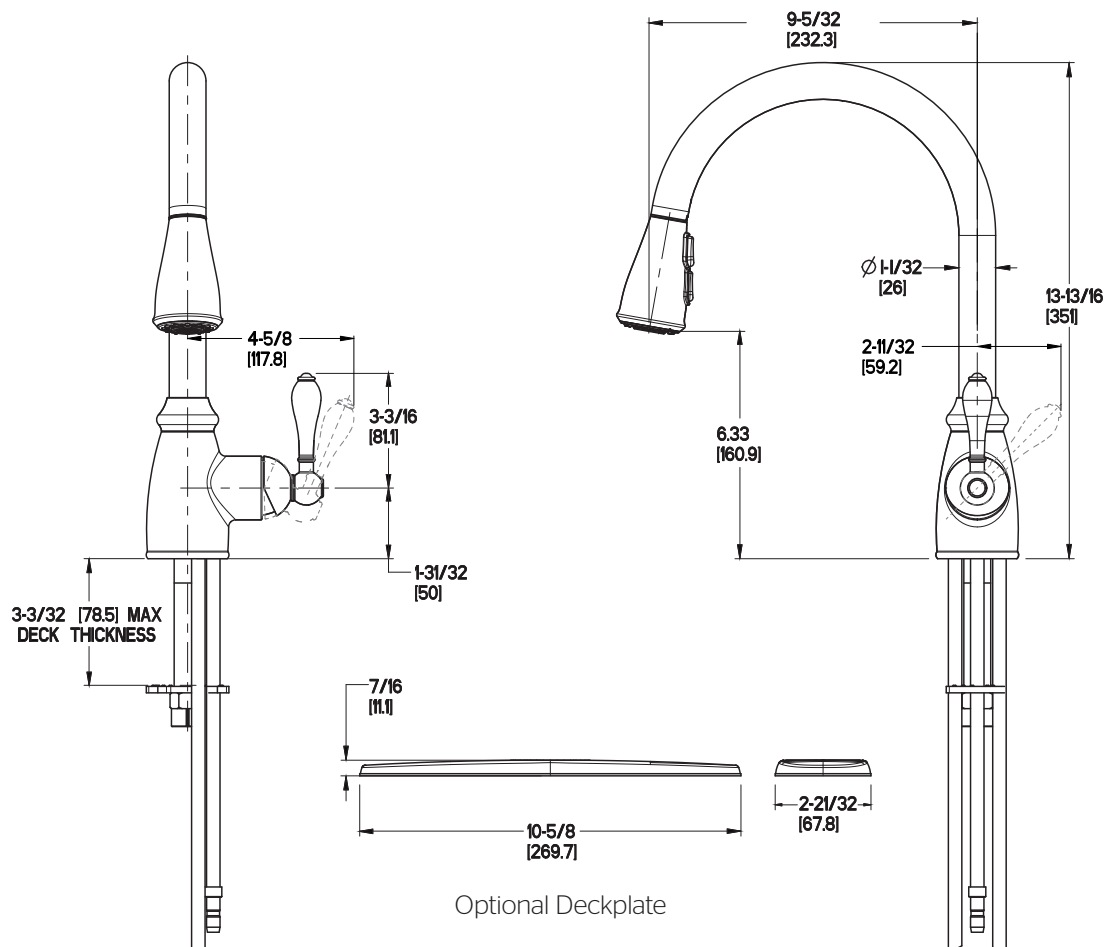
Code Compliance

Pfister products are designed and manufactured in compliance with the following standards and codes:

- IAPMO Certified
- CSA B125 Certified
- ASME A112.18.1
- NSF 61/9 Annex G (Low lead)
- Cal Green Compliant
- ADA Compliant-ANSI A117.1 (Lever handles only)



Dimensions



\varnothing 1-3/8 Min to \varnothing 1-1/2 Max. Deck Hole Openings