

WARNING!!

Children have died from furniture tipover. Tip restraints have been included with this product; you must install the tip restraints according to these instructions in order to minimize the risk of furniture tipping. If you have any questions about this product or the tip restraint, please send us an email at tip_restraint_help@Noblehousefurniture.com

NEVER allow children to climb or hang on furniture, including drawers or cabinet doors.

In addition to installing the restrains, to help prevent tip-over

1. **NEVER** put a TV or other heavy objects on top of this product".
2. Do not stand on the product

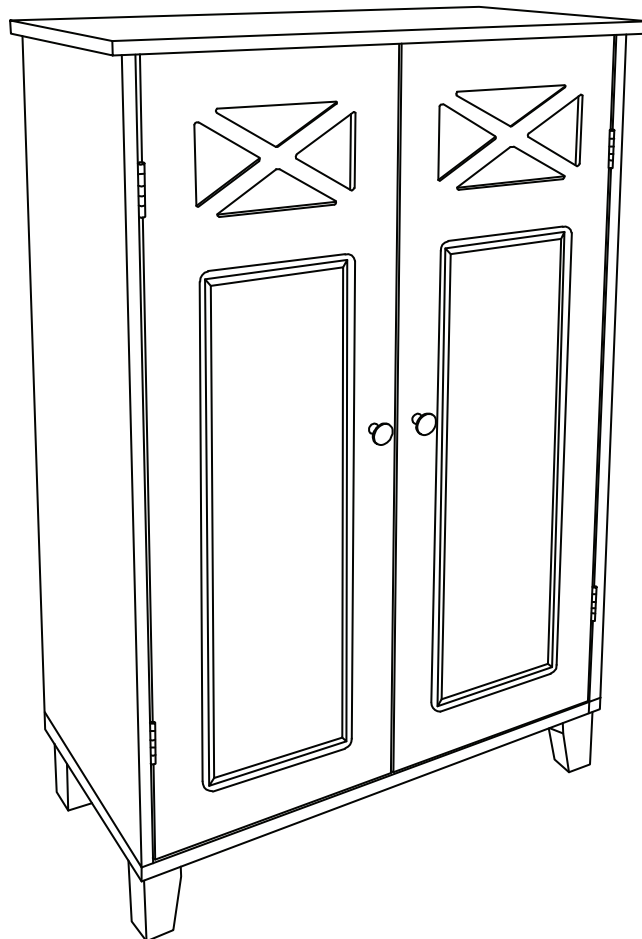
⚠ WARNING	
	<p>Children have died from furniture tipover. To reduce the risk of furniture tipover:</p> <ul style="list-style-type: none">• ALWAYS install tipover restraint provided.• NEVER put a TV on this product.• NEVER allow children to stand, climb or hang on drawers, doors, or shelves.• NEVER open more than one drawer at a time.• Place heaviest items in the lowest drawers.• Do not defeat or remove the drawer interlock system. <p><i>This is a permanent label. Do not remove!</i></p>
	

Assembly Instructions


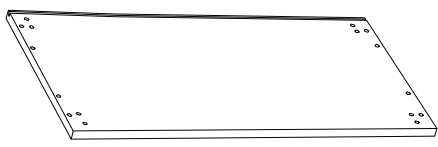
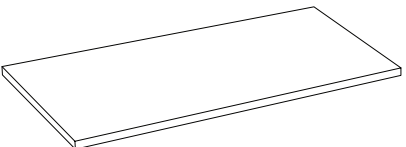
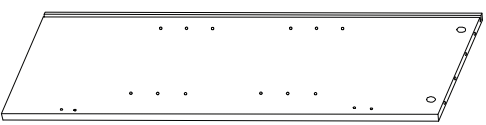
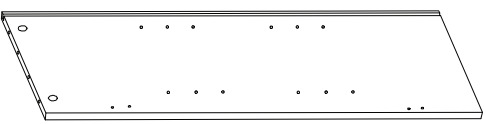

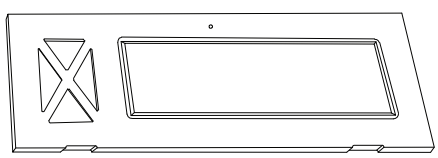
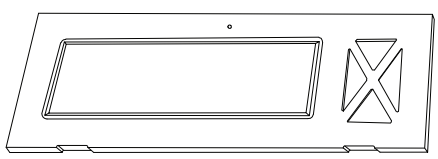

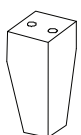
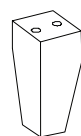
Caution : You must read this before you proceed

Please look in the magic tape for hardware packs and legs.



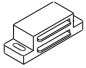
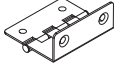

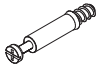

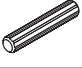
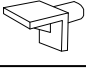
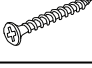
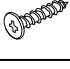
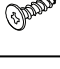
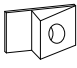
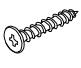
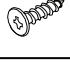
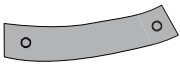


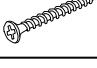


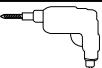
Cabinet



Parts List

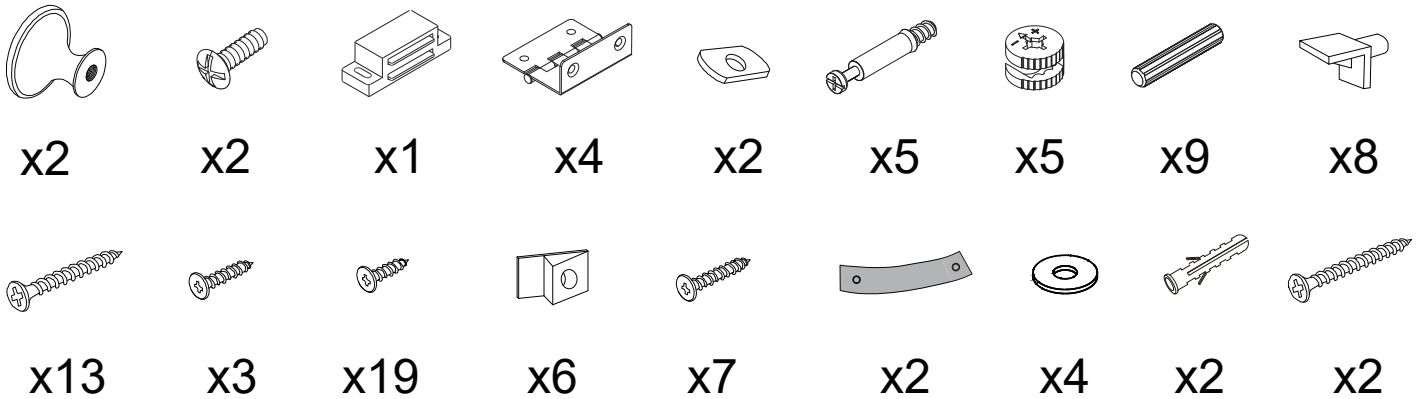
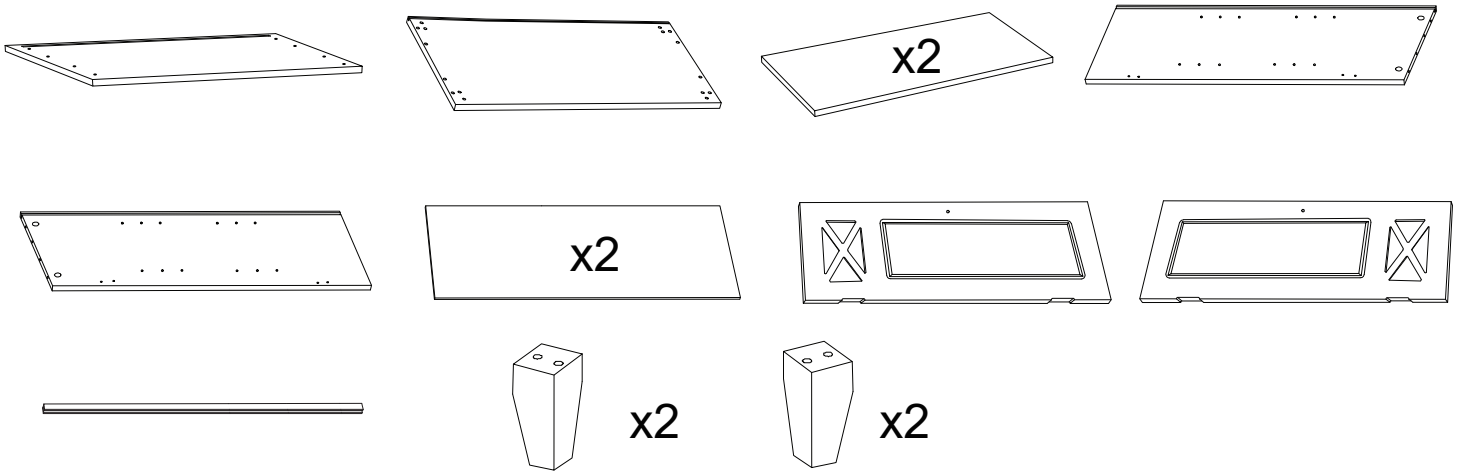
Label	Picture	Description	QTY
A		Top Panel	1
B		Bottom Panel	1
C		Adjustable Panel	2
D		Right Side Panel	1
E		Left Side Panel	1
F		Back Panel	2
G		Left Door Panel	1
H		Right Door Panel	1
I		Back Slat	1
J		Leg	2
K		Leg	2

Hardware

Label	Picture	Description	QTY
①		Knob	2
②		Knob Bolt (M4x16mm)	2
③		Magnet	1
④		Hinge	4
⑤		Magnetic Bar	2
⑥		Cam Bolt	5
⑦		Cam Nut	5
⑧		Dowel	9
⑨		Self Pin	8
⑩		Screw (M4x30mm)	13
⑪		Screw (M3x14mm)	3
⑫		Screw (M3x12mm)	19
⑬		Back Botton	6
⑭		Screw (M3x16mm)	7
Restraint Device Hardware			
⑮		Screw (M3x12mm)	2
⑯		Restraint Strap	2
⑰		Metal Gasket	4
⑱		Wall Anchor Screw	2
⑲		Screw (M4x35mm)	2
⑳		Screwdriver (Not provided)	1
㉑		Hammer (Not provided)	1
㉒		Power Drill (Not provided)	1

Assembly Preparation

Before Beginning Assembly:



- Read instructions, cover to cover-



- Have 2 adults on hand for assembly-



- Do not assemble on flooring or carpet-



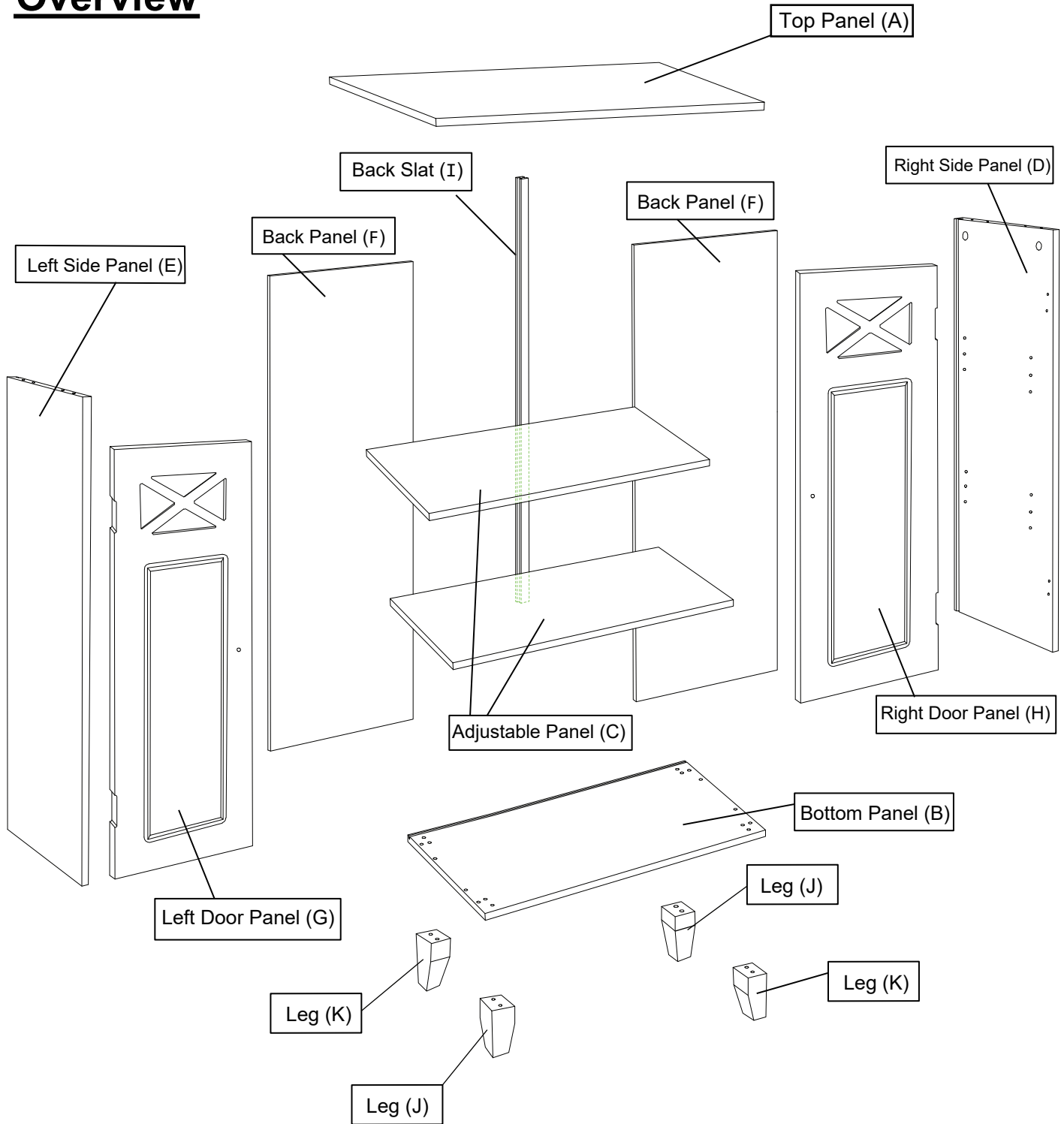
- Assemble on a clean non-marring surface (packing foam)-



- Save all packaging until finished-

Assembly Steps

Overview

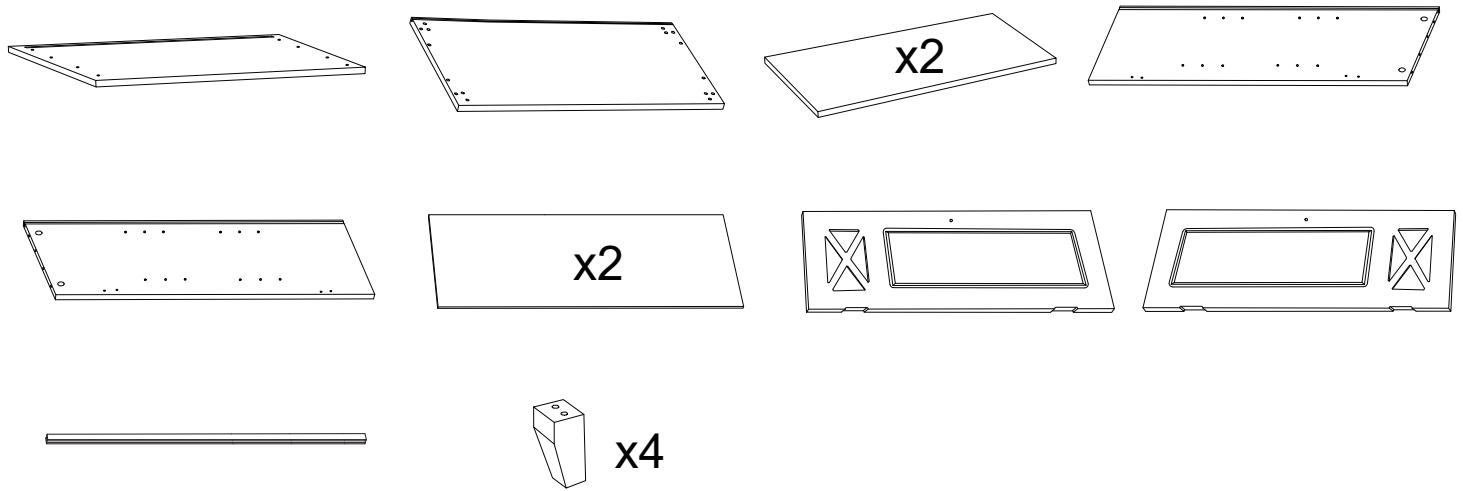


This Cabinet has multiple parts and may require up to 60 minutes to assemble.

To give you an overview of the Cabinet parts, the above picture is to help you put the various parts into perspective.

Please read through the instructions below to familiarise yourself with the parts and steps before assembly.

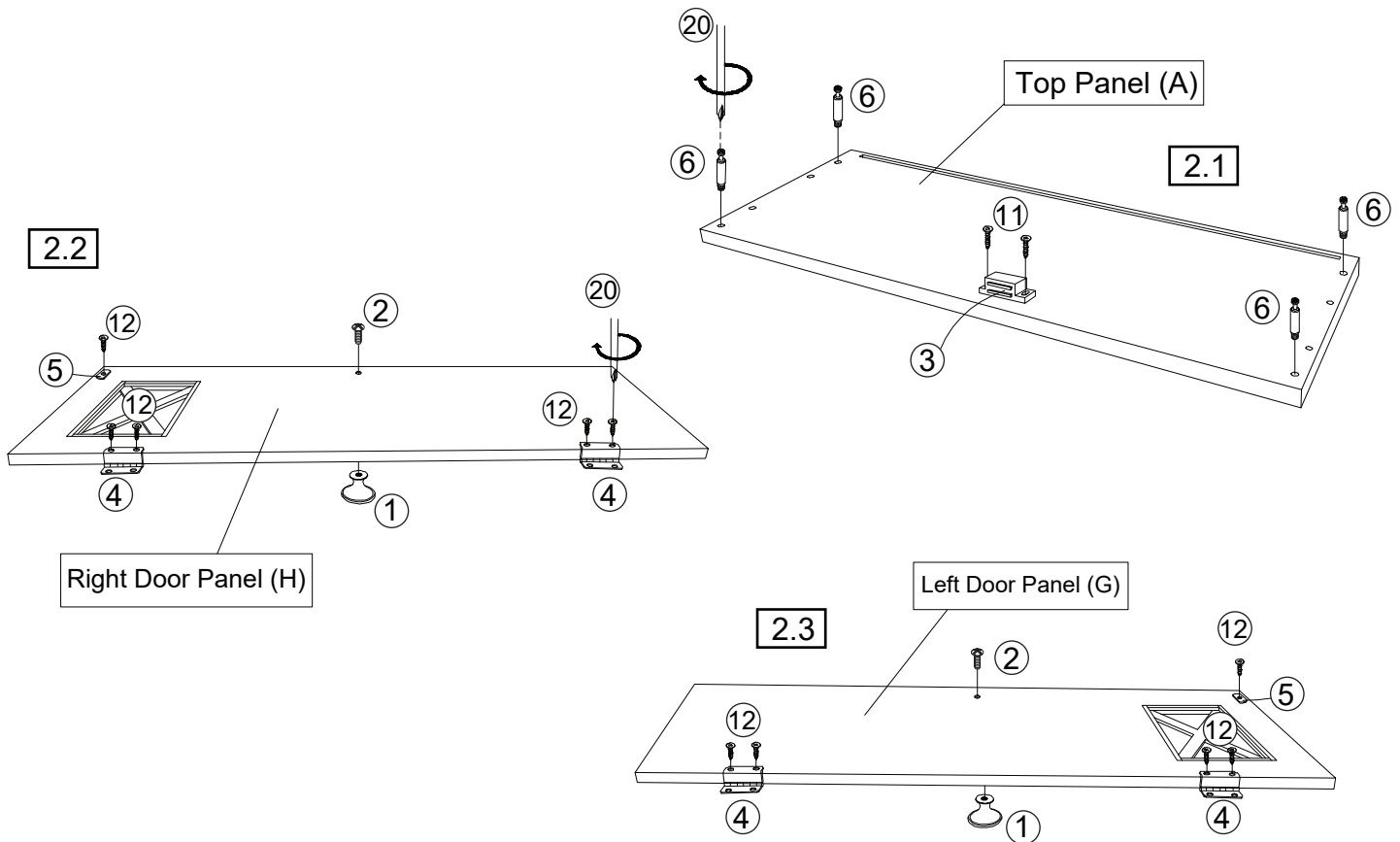
Step 1



Unpack and place all parts on a clean, non-marring surface.

Step 2

	① x 2		② x 2		③ x 1		④ x 4		⑤ x 2
	⑥ x 4		⑪ x 2		⑫ x 10		⑳ x 1		



2.1) Insert Cam Bolt (⑥) into the mounting positions on Top Panel (A) using Screwdriver(⑳) turning clockwise until tight. Attach Magnet(③)to theTop Panel (A) with Screw (⑪) using Screwdriver (⑳) turning clockwise until tight..

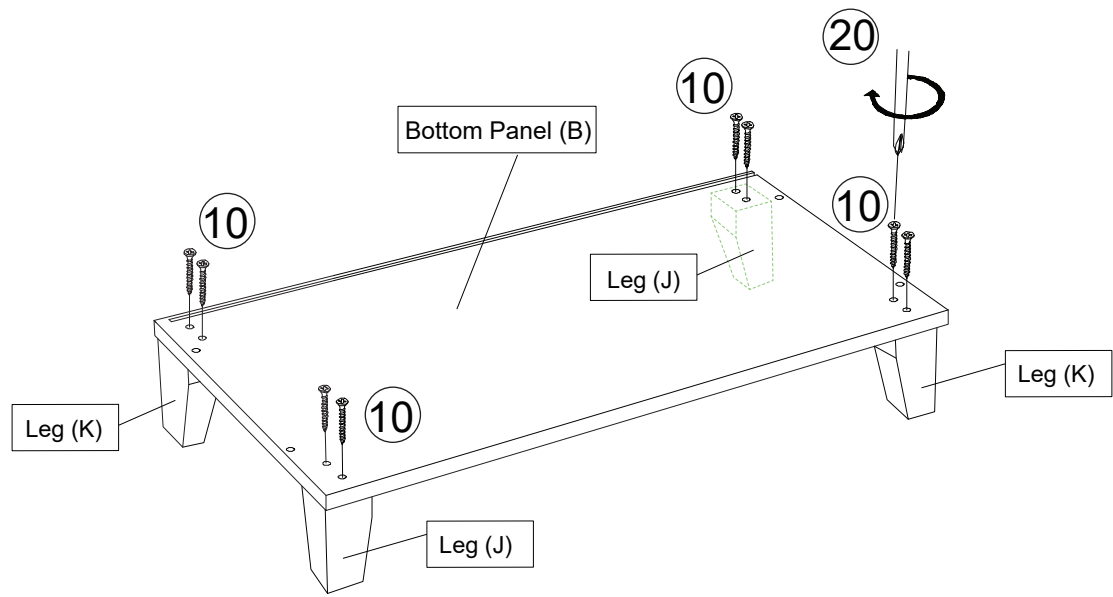
2.2) Attach Hinge (④) and Magnetic Bar (⑤) to Right Door Panel (H) with Screw (⑫)using Screwdriver(⑳).

Attach Knob (①) to Right Door Panel (H) using Knob Bolt (②).

2.3)Repeat the same step with the Left Door Panel(G) .



Step 3

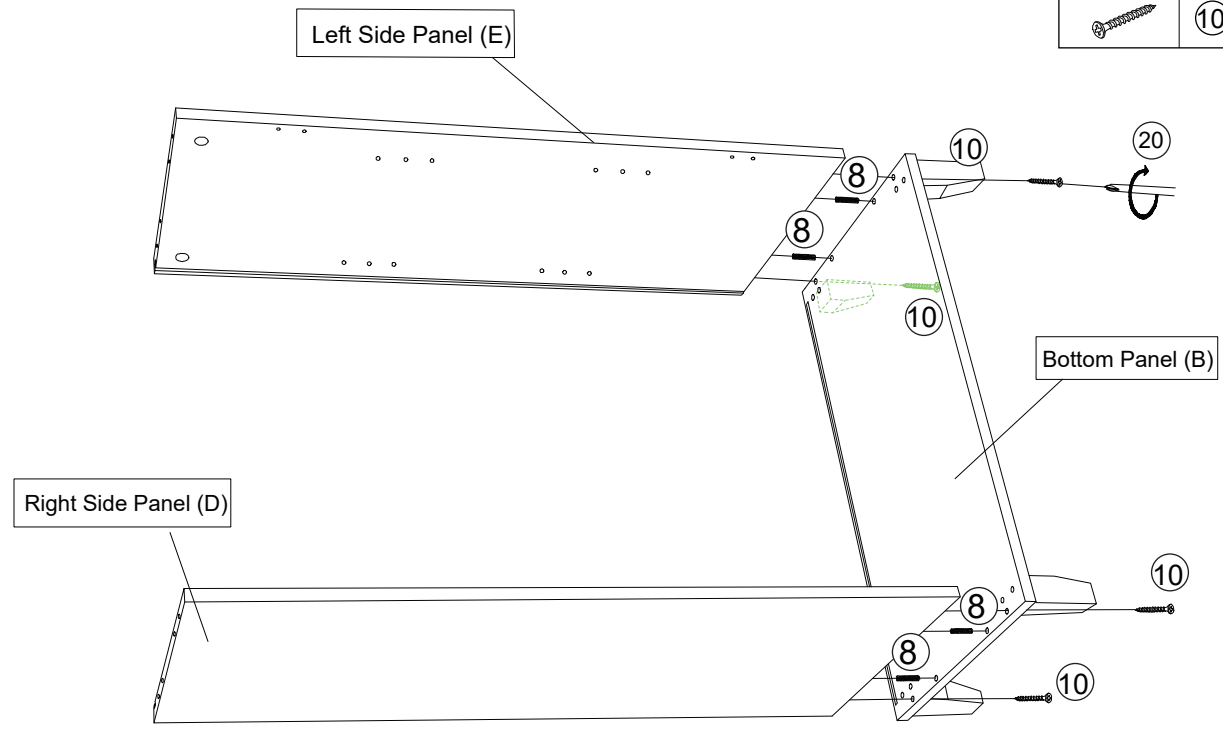
	⑩ x 8
---	-------



Attach Leg(J) and Leg (K) to Bottom Panel (B) as positions with Screw (⑩) using Screwdriver(⑳) .

Step 4

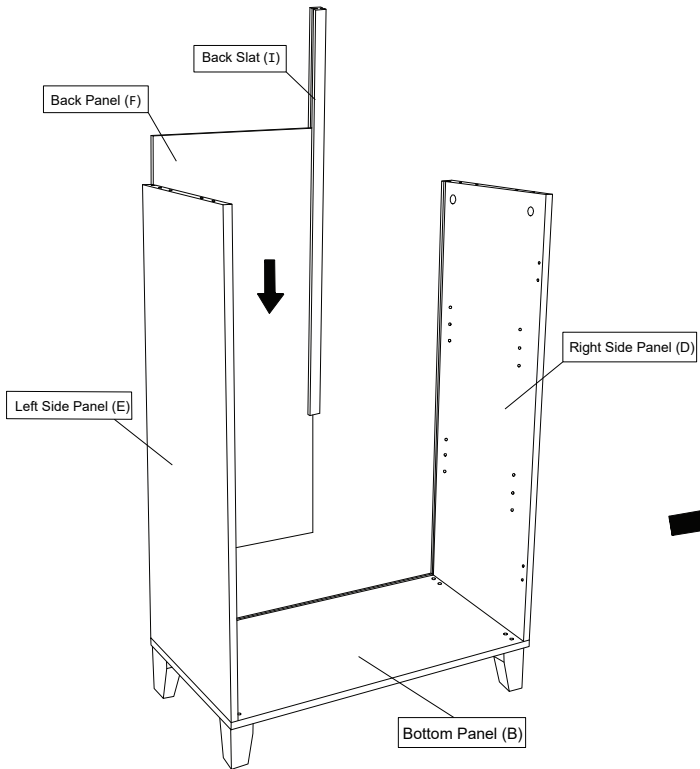
	⑧ x 4
	⑩ x 4



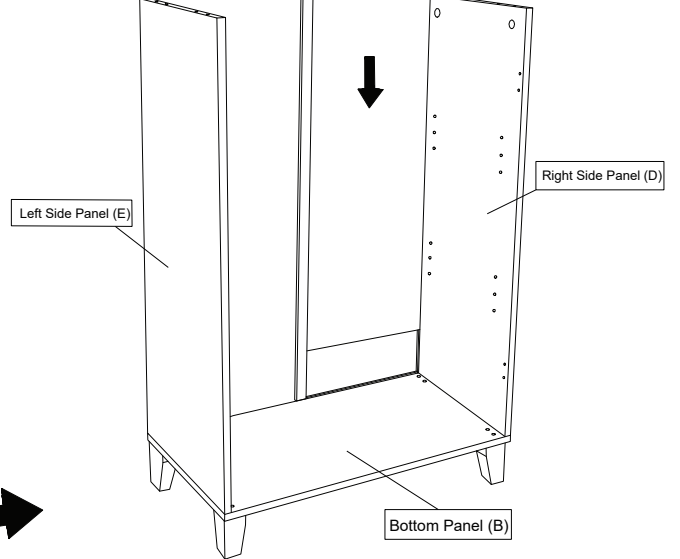
Attach Left Side Panel(E) to Bottom Panel (B) with Dowel (⑧) and Screw (⑩) using Screwdriver(⑳). Repeat the same step with Right Side Panel (D) .

Step 5

5.1



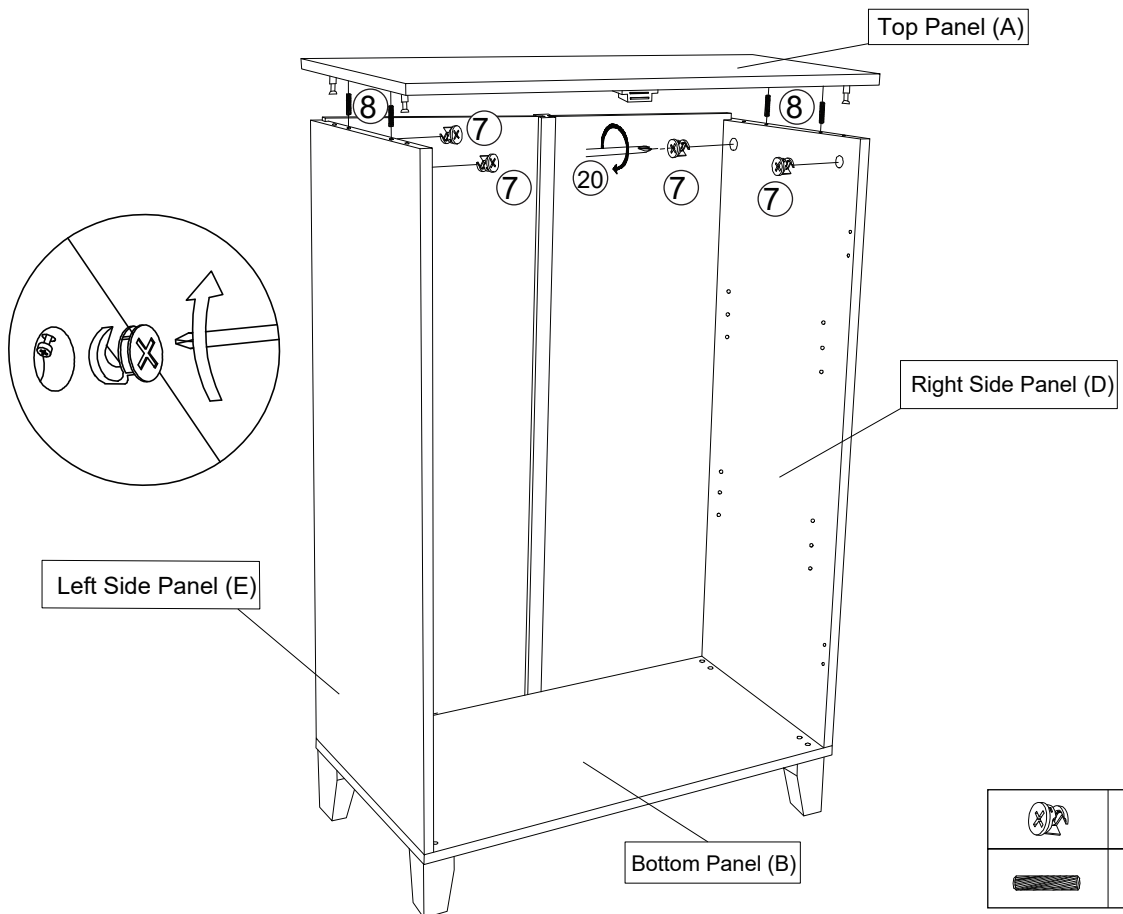
5.2



5.1) Insert Black Panel (F) into the groove of Left Side Panel (E) and Back Slat (I)

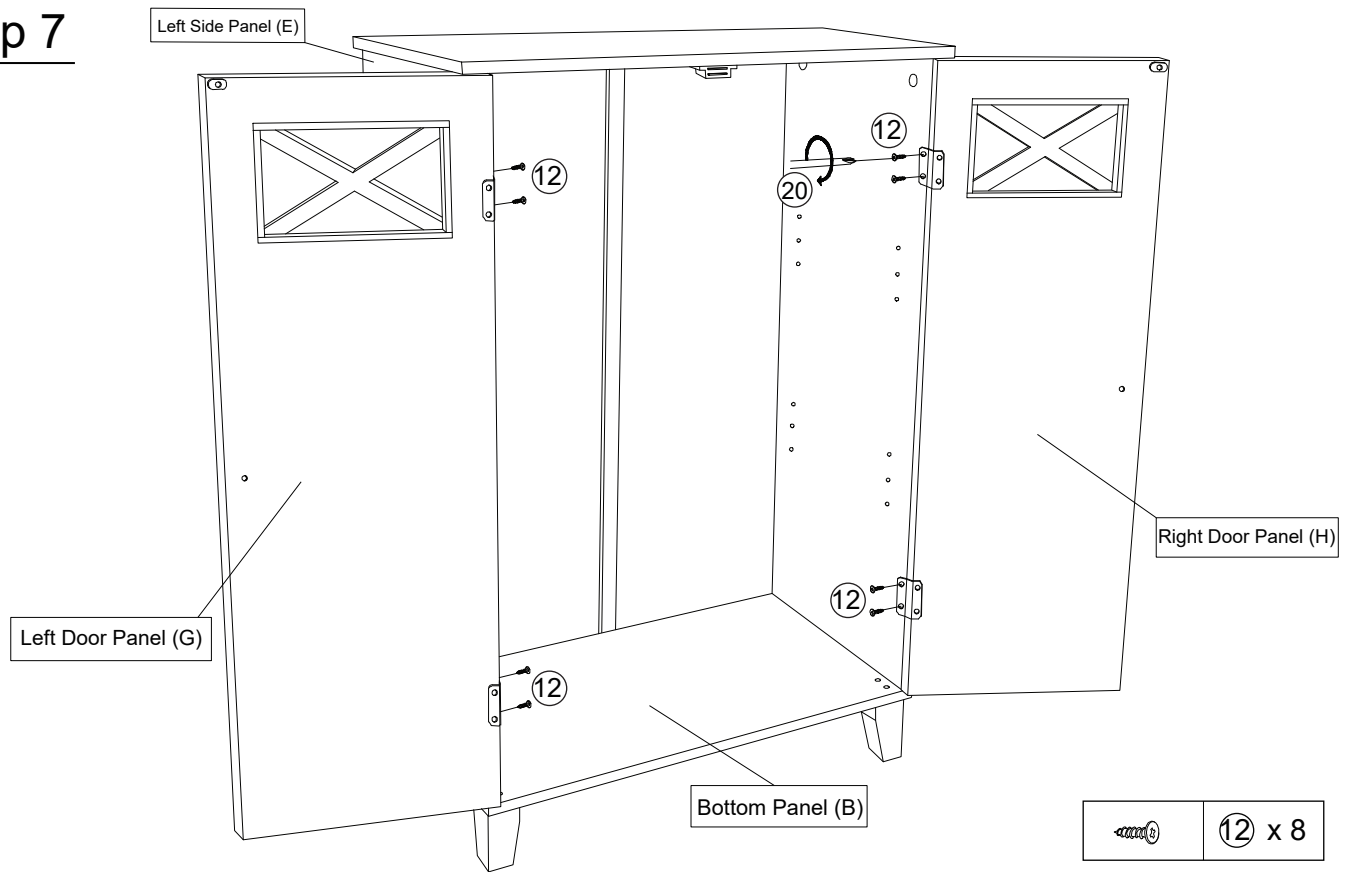
5.2) Insert another Black Panel (F) into the groove of Left Side Panel (D) and Back Slat (I).

Step 6



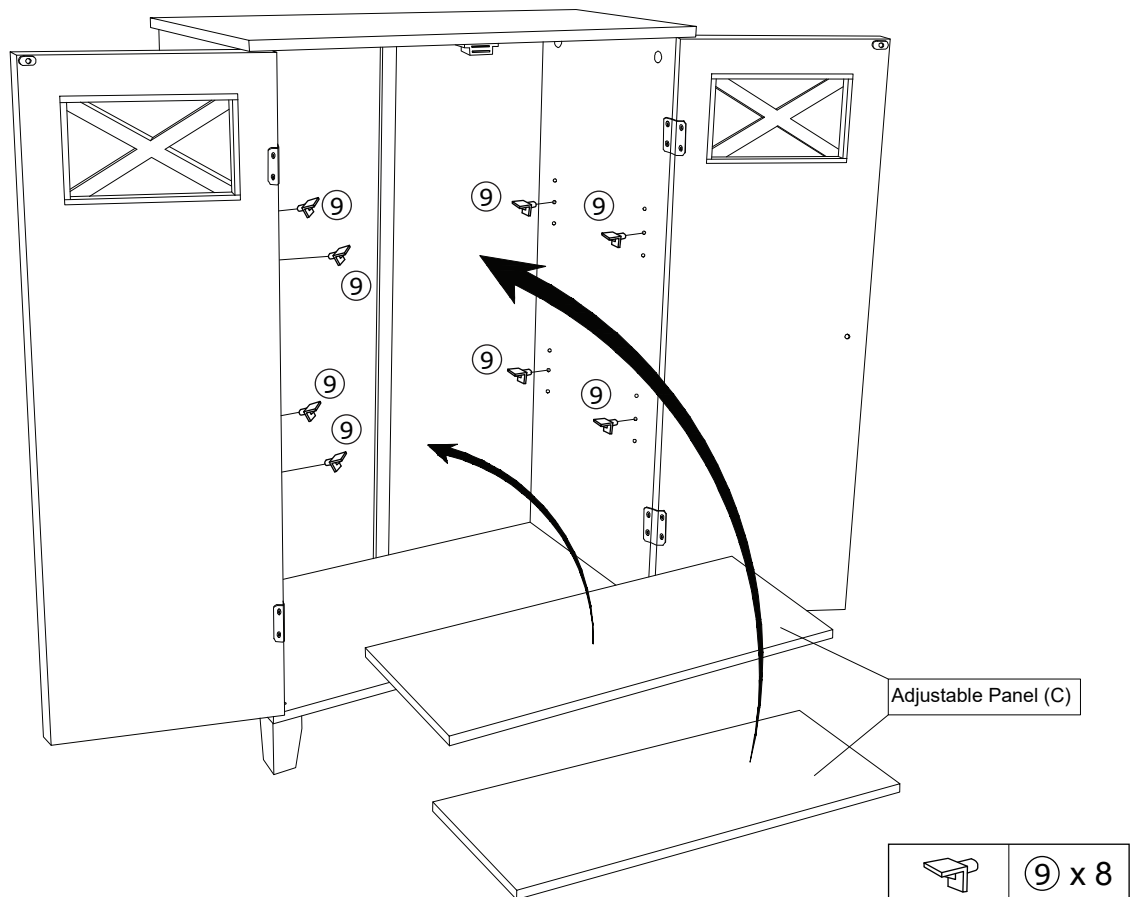
Attach Top Panel (A) to Left Side Panel (E) and Right Side Panel (D) with Dowel (⑧), then insert Cam Nut (⑦) into Left Side Panel (E) and Right Side Panel (D) using Screwdriver (⑳) turning clockwise until tight.

Step 7



Attach Left Door Panel (G) to Left Side Panel (E) by attaching the other side of Hinge (4) to Left Side Panel (E) with Screw (12) using Screwdriver (20), turning clockwise until tight. Repeat the same step with Right Door Panel (H).

Step 8

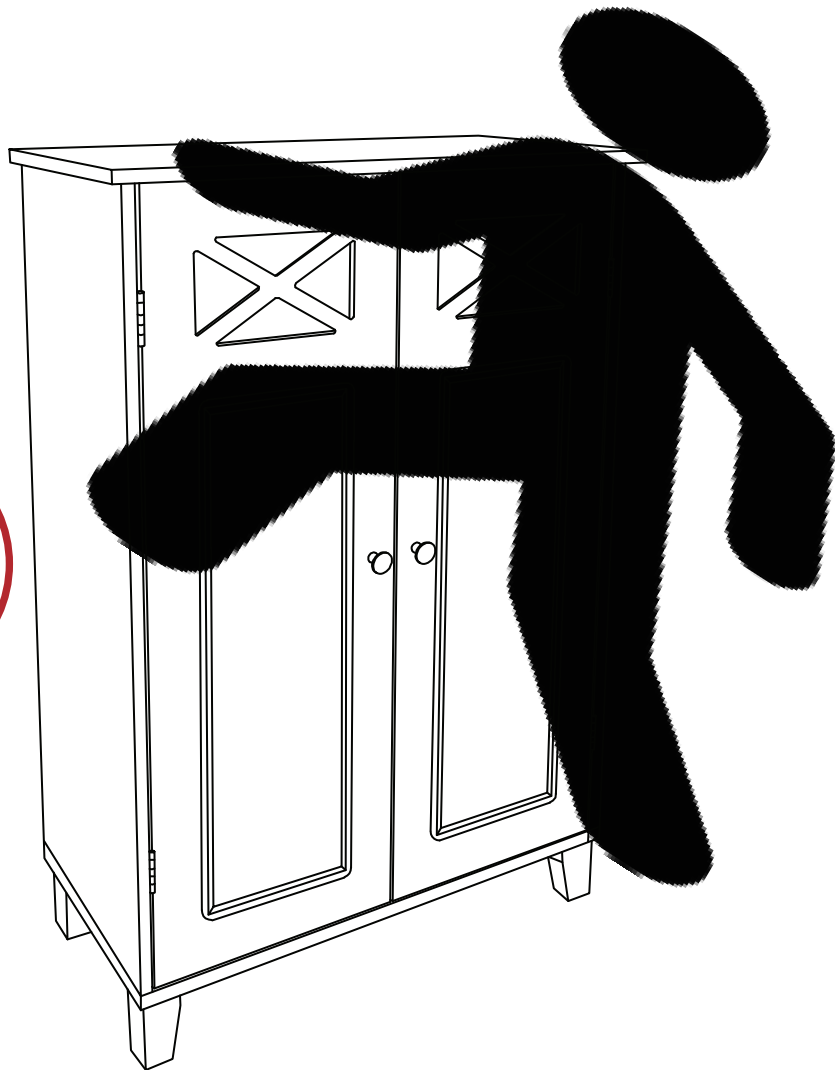
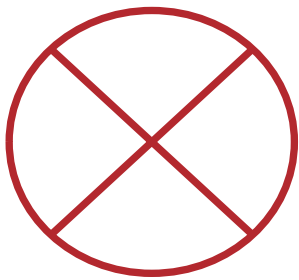


Inset Self Pin (9) into Left Side Panel (E) and Right Side Panel (D), then put Adjustable Panel (C) on the Self Pin (9).

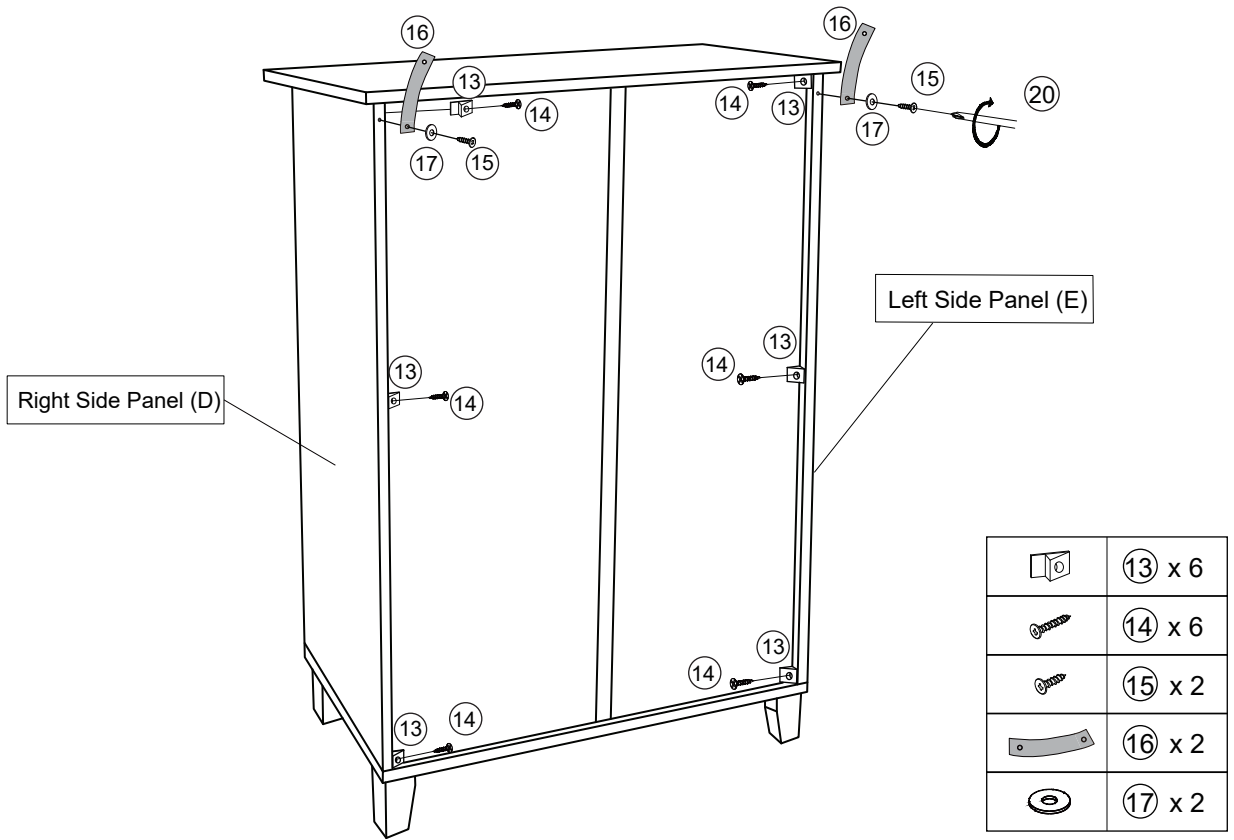


WARNING

Serious or fatal crushing injuries can occur from tipping furniture. To help prevent tip-over: ALWAYS secure this furniture to the wall using Cabinet Restraint Device. See product instructions for more ways to help prevent furniture tip-over.

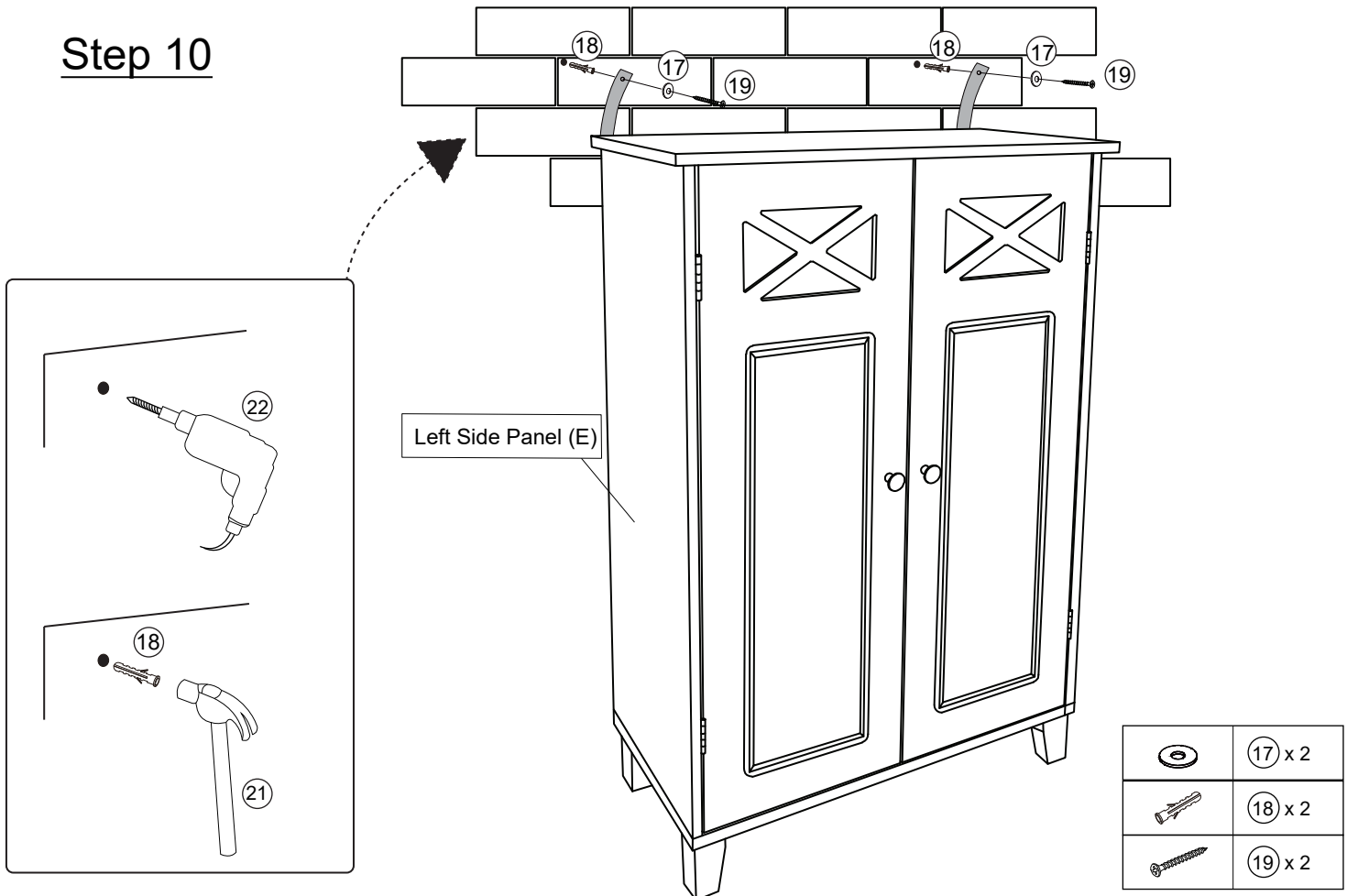


Step 9



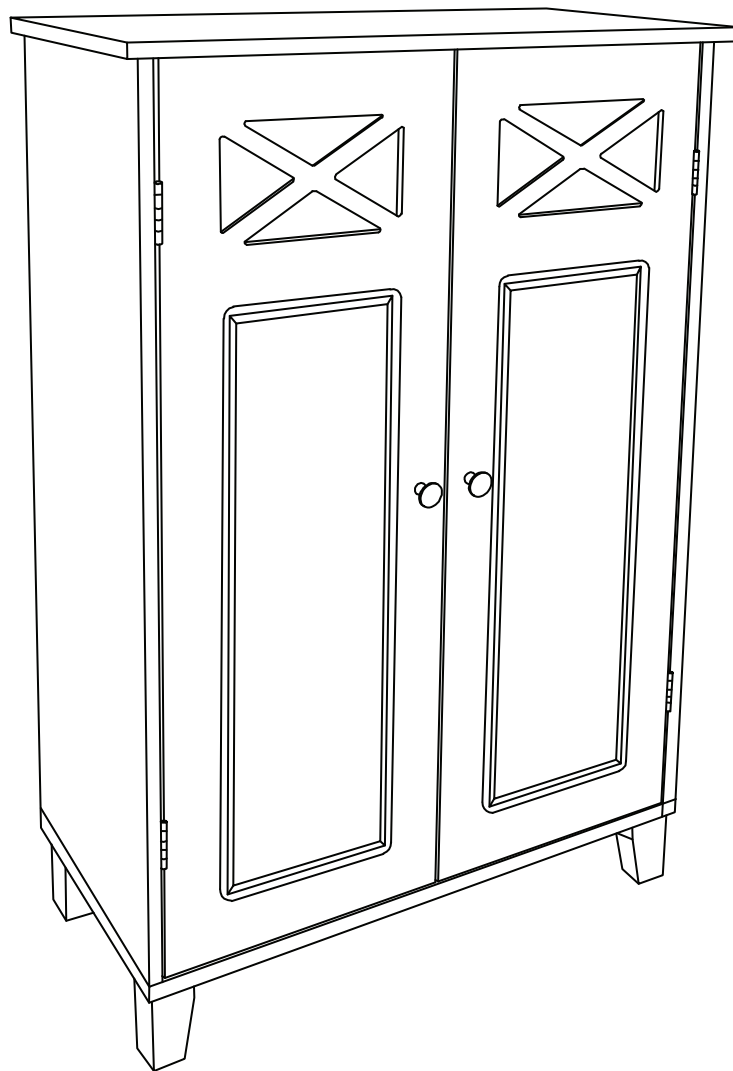
Attach Restraint Strap (16) to the Left Side Panel (E) and Right Side Panel (D) with Screw (15) and Metal Gasket (17) using Screwdriver (20). Insert Back Bottom (13) into the corner as shown with Screw (14) using Screwdriver (20).

Step 10



Drill two mounting positions on the wall with Power Drill (22), insert Wall Anchor (18) into drilled mounting positions on the wall with Hammer (21). Move the cabinet back to the wall, lock by Screw (19) and Metal Gasket (17) with Screwdriver (20).

Step 11



Your Cabinet is ready for use

Care & Maintenance



- Furniture may scratch floors. We recommend using furniture pads to protect your floors.



- Do not put hot items directly on furniture surface.



- Do not clean furniture with harsh cleansers or polish.



- Do not place furniture under direct sunlight.



- Do not place furniture near heating or cooling vents.



- Do not write on furniture without a padded barrier to protect the surface.



- Do not place furniture outside . For indoor use only.



- Not for commercial use. For residential use only.



- Stains may be removed with mild soap solution and damp cloth.



- Children should not climb or jump on the furniture.



- Dust and pick-up spills using a clean, non-colored, lint-free cloth.