



07060EZ/07970C/07060F

Please read the following instructions carefully.
Keep this instruction manual and save for future reference.

For technical support, contact us at **1-401-671-6551**
or **www.summerinfant.com/contact**

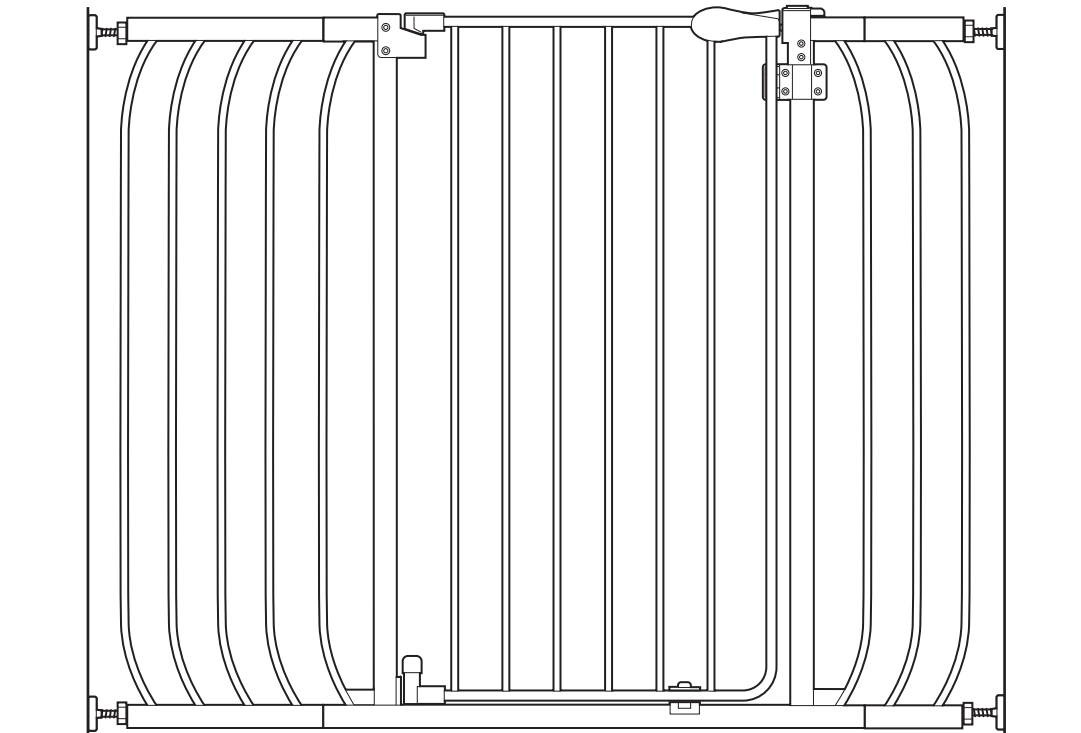
Tools required: Phillips-head screwdriver,
measuring tape (not included),
and wrench (included).

For use with children from 6 - 24 months.

Keep small parts away from children.

Adult assembly required.

Fits openings from 29" - 48" wide.



Text "Extra Tall" to 38344 for a demo & install video.
Have questions? We're here to help. For technical support please
contact us at 1-401-671-6551 or www.summerinfant.com/contact.

Multi-Use Extra Tall Walk-Thru Gate

INSTRUCTION MANUAL

Thank you for purchasing the Multi-Use Extra Tall Walk-Thru Gate from Summer Infant. This gate allows you to create and maintain a secure environment for your child just about anywhere in your home. It has a hinged swinging door that opens easily in either direction with one hand, as well as hold-open and auto-close features for added convenience.

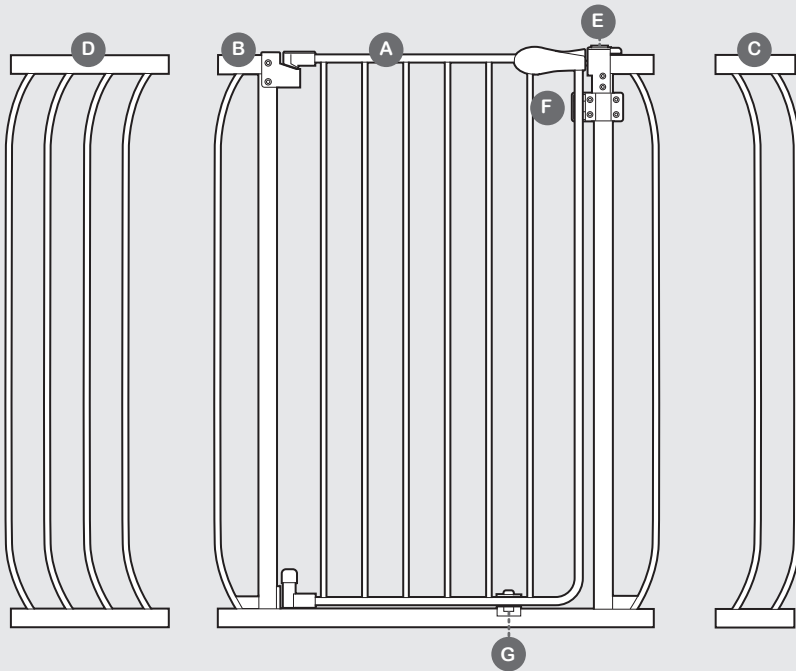
! WARNING

Children have died or been seriously injured when gates are not securely installed.

- **ALWAYS** install and use gate as directed using all required parts. Install according to manufacturer's instructions.
- Stop using when a child can climb over or dislodge the gate.
- Use only with the locking/latching mechanism securely engaged.
- To prevent falls, never use at top of stairs without wall mounting cups and door stopper.
- **NEVER** use a gate to keep child away from pool.
- **NEVER** leave child unattended.
- **ALWAYS** close and lock the gate behind you.
- This product will not necessarily prevent all accidents. Proper adult supervision is required at all times.
- Do not use if any components are missing or damaged.
- Adult assembly required. Exercise care when unpacking and assembling product.

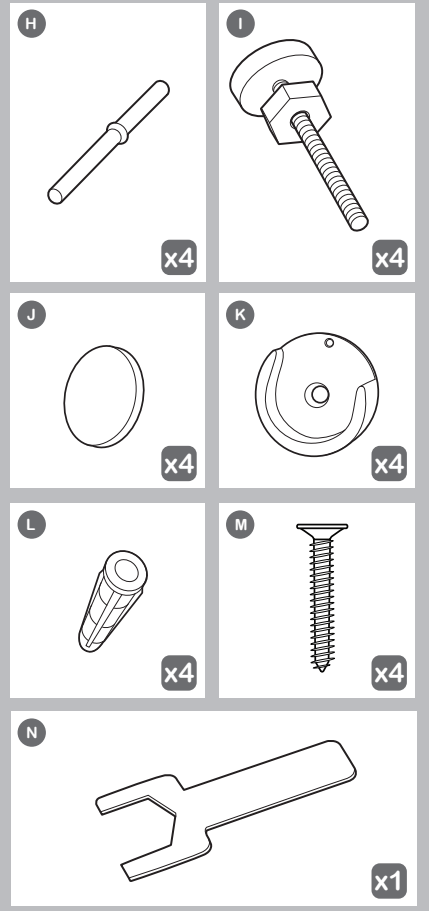
! CAUTION KEEP SMALL PARTS OUT OF CHILD'S REACH.

components



- | | |
|--------------------------------|--|
| A Gate Door | H Pins (4) |
| B Gate Frame | I Tension Bolts with Tension Nuts (4) |
| C Small Extension Frame | J Adhesive Mounting Pads (4) |
| D Large Extension Frame | K Wall Cups (4) |
| E Top Latch | L Wall Anchors (4) |
| F Door Stop | M Screws (4) |
| G Lower Latch | N Wrench |

hardware



gate configurations (choose which best fits your scenario)

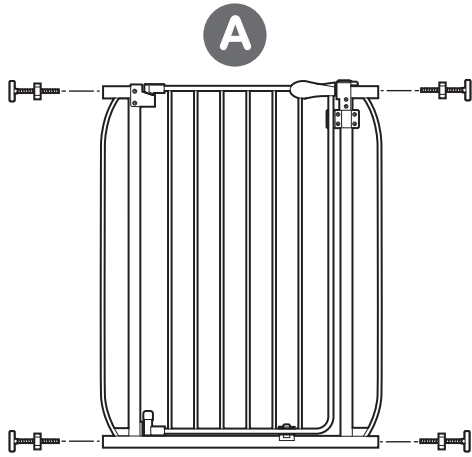


Measure the width of the opening where you intend to install the gate.

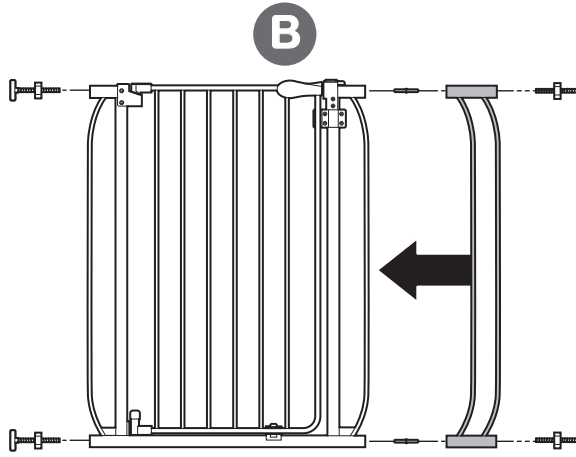
- Refer to the following illustrations to determine the correct installation configuration.
- Baseboard molding may change which configuration is appropriate.

⚠ WARNING

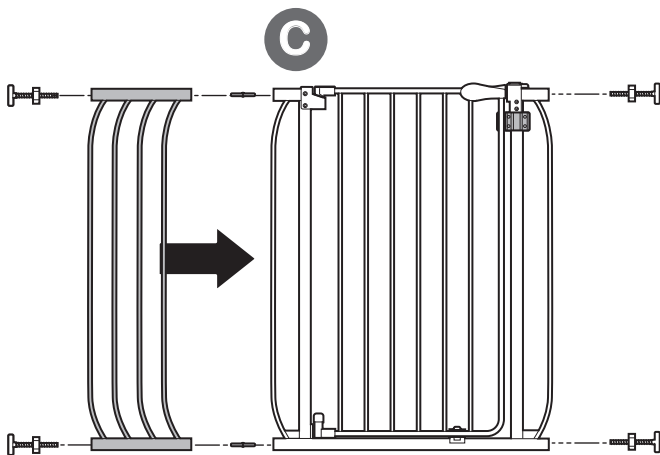
NEVER install two extension frames on the same side of the gate.



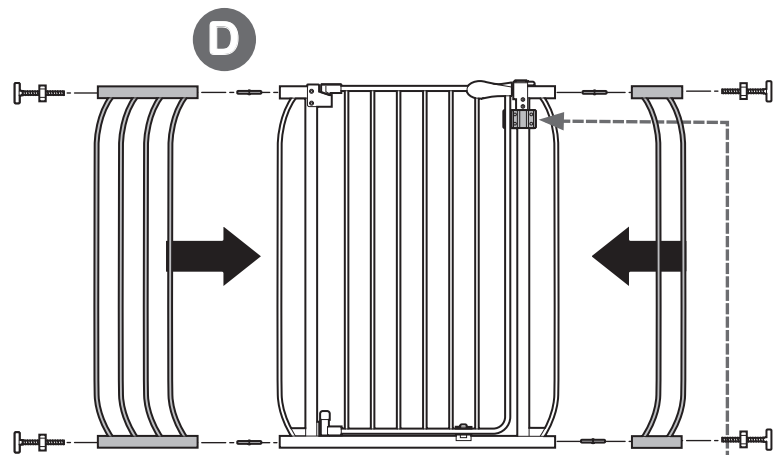
(29" - 33") without extension frames



(34" - 38") with small extension frame



(39" - 43") with large extension frame



(44" - 48") with small and large extension frames



- If mounting the gate at top of the stairs, begin with installation step 1.
- When not used at top of stairs, begin with installation step 4.



Note: This instruction book illustrates installation of gate configuration D.

If choosing gate configuration A, skip ahead to step 2.

Otherwise, follow step 1, using the appropriate extension frames that best fit your scenario.

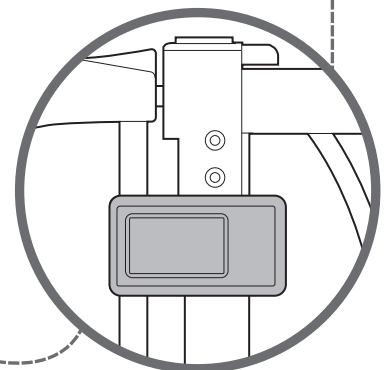


IMPORTANT: Gate includes a door stop (part F in components) which prevents the the gate from swinging open in one direction.

When installing the gate at the top of stairs, be sure that the door stop is on the stairway side of the gate so the door cannot open over the stairs.

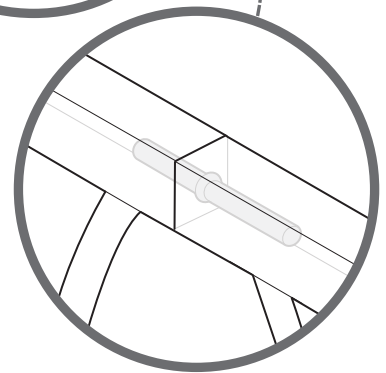
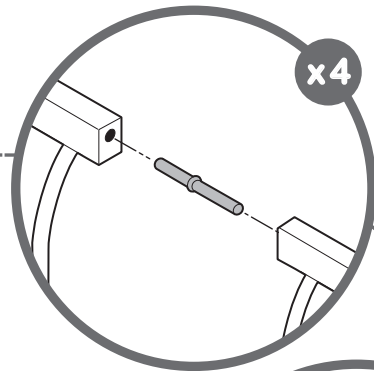
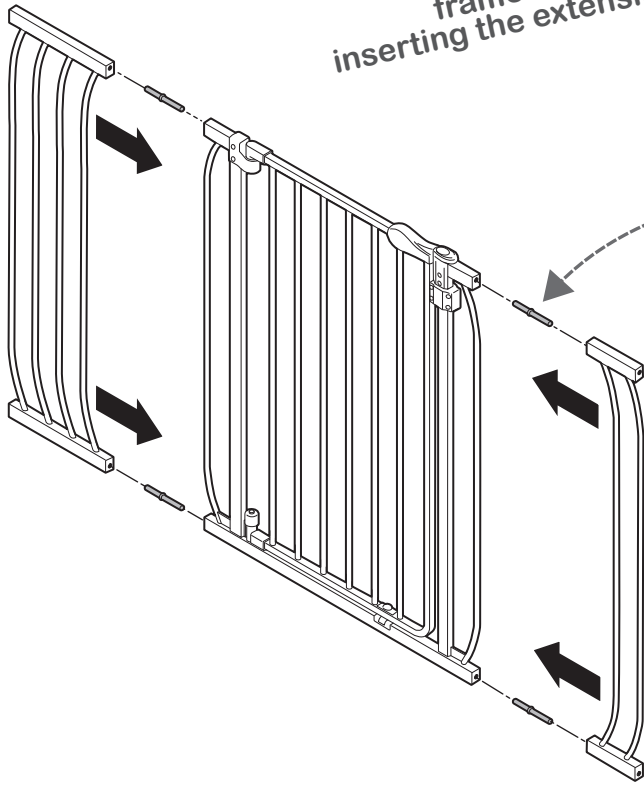
While the door stop comes fully assembled on gate, it can be removed and installed on either side of gate frame.

When gate is not used at top of stairs, door stop may be removed to allow the gate door to open in either direction.



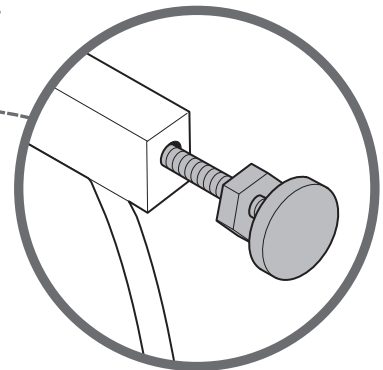
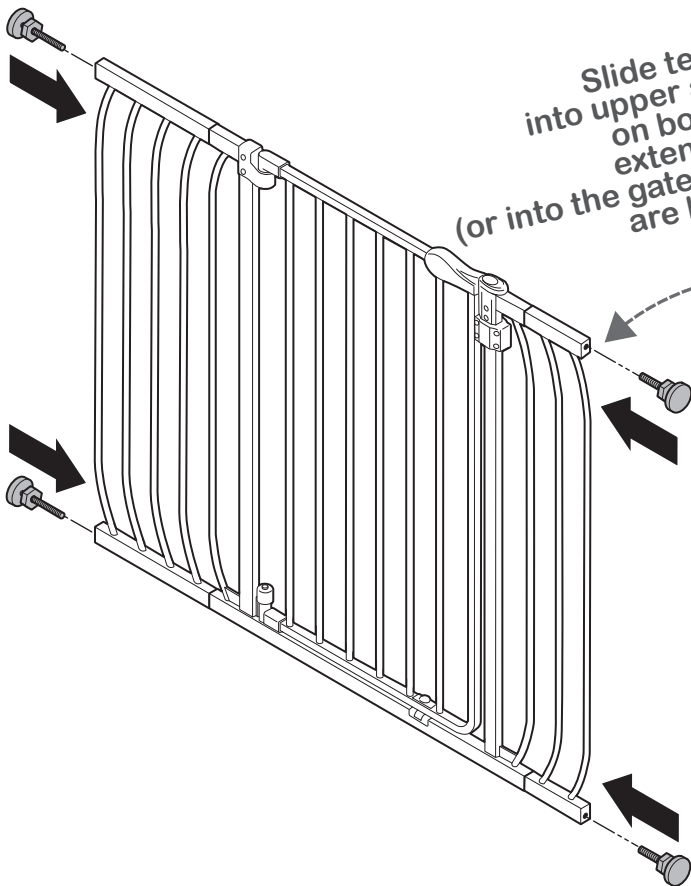
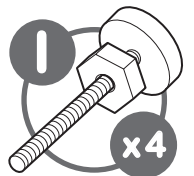
installation

Connect the extension frames to the gate frame by inserting the extension pins into the holes.



1

Slide tension bolts into upper and lower holes on both sides of extension frames (or into the gate frame if no extensions are being used).

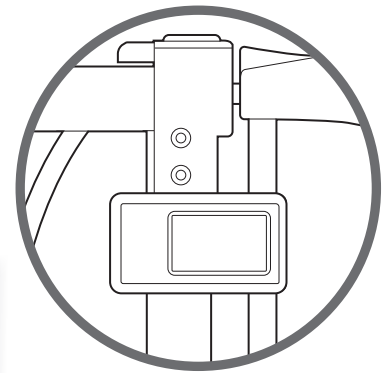


2

installation (continued)



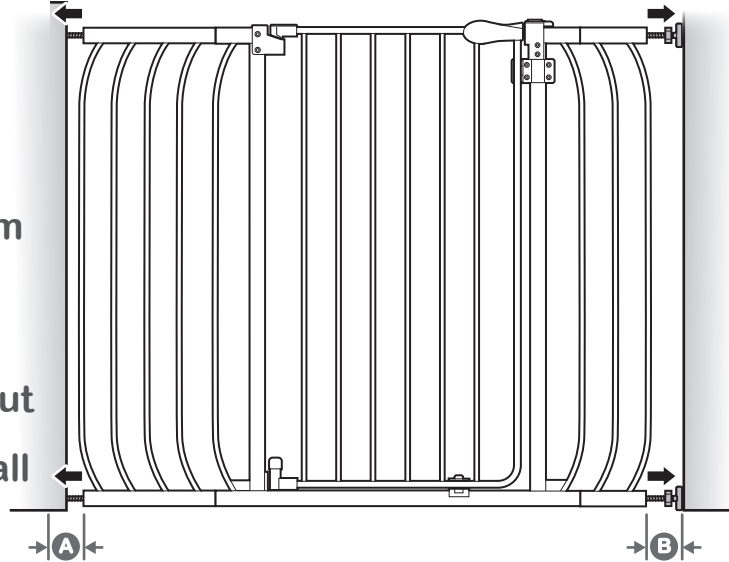
Make sure door stop is facing desired direction.
For top of stair use, door stop must be on stair side of gate.
Gate door must open away from stairs.



Stand the gate in the center of the opening.

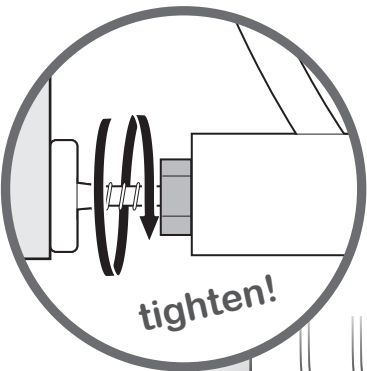
Make sure the bottom of the gate is completely flush to the floor.

Slide tension bolts out until they contact the door frame or wall on both sides.



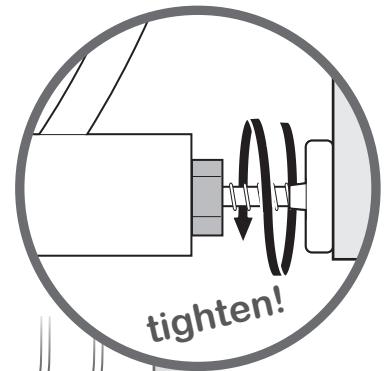
⚠ IMPORTANT
Check locations A and B. The distance between the gate and the wall should never exceed 2.75".

3

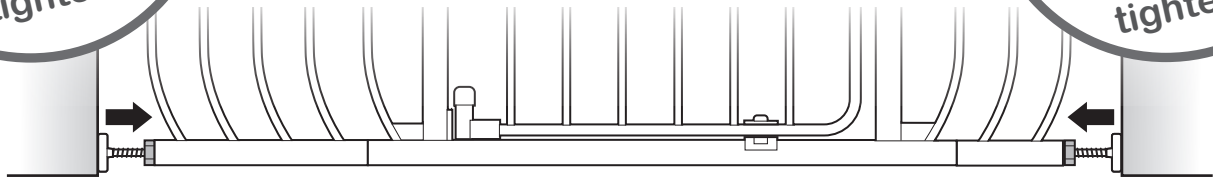


tighten!

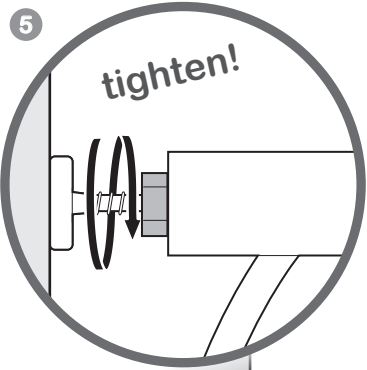
Use the tension nuts to tighten both of the bottom tension bolts.



tighten!



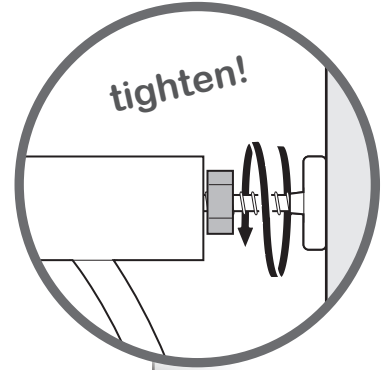
4



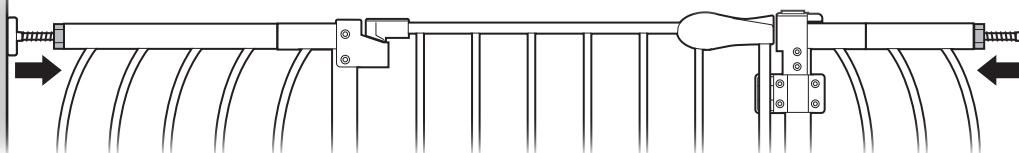
tighten!

Note: If mounting at top of stairs, proceed to step 6. Otherwise, follow the directions in step 14 to tighten the tension nuts.

Use the tension nuts to tighten both of the top tension bolts.



tighten!



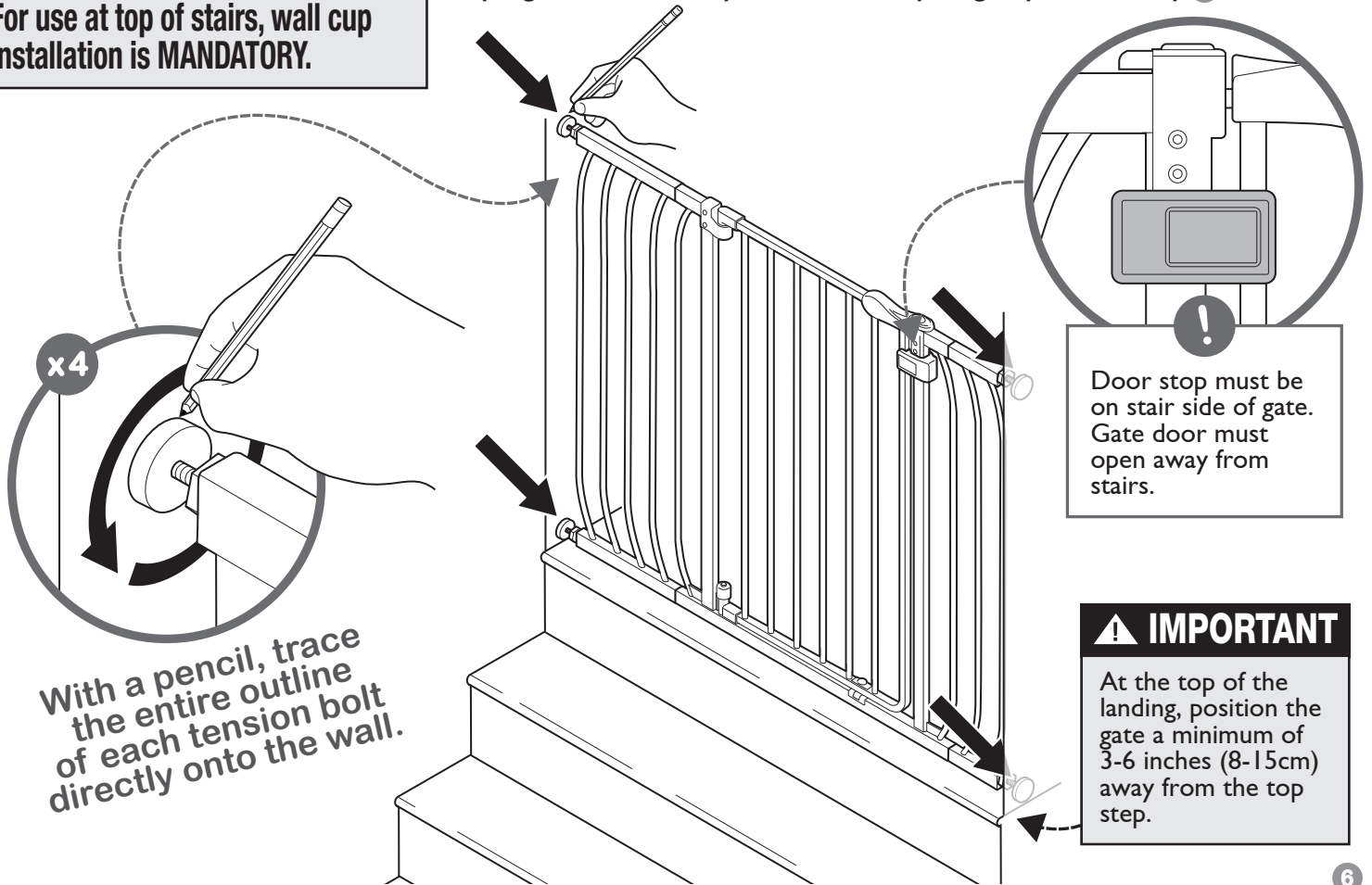
5

STOP! wall cup/top of stairs installation

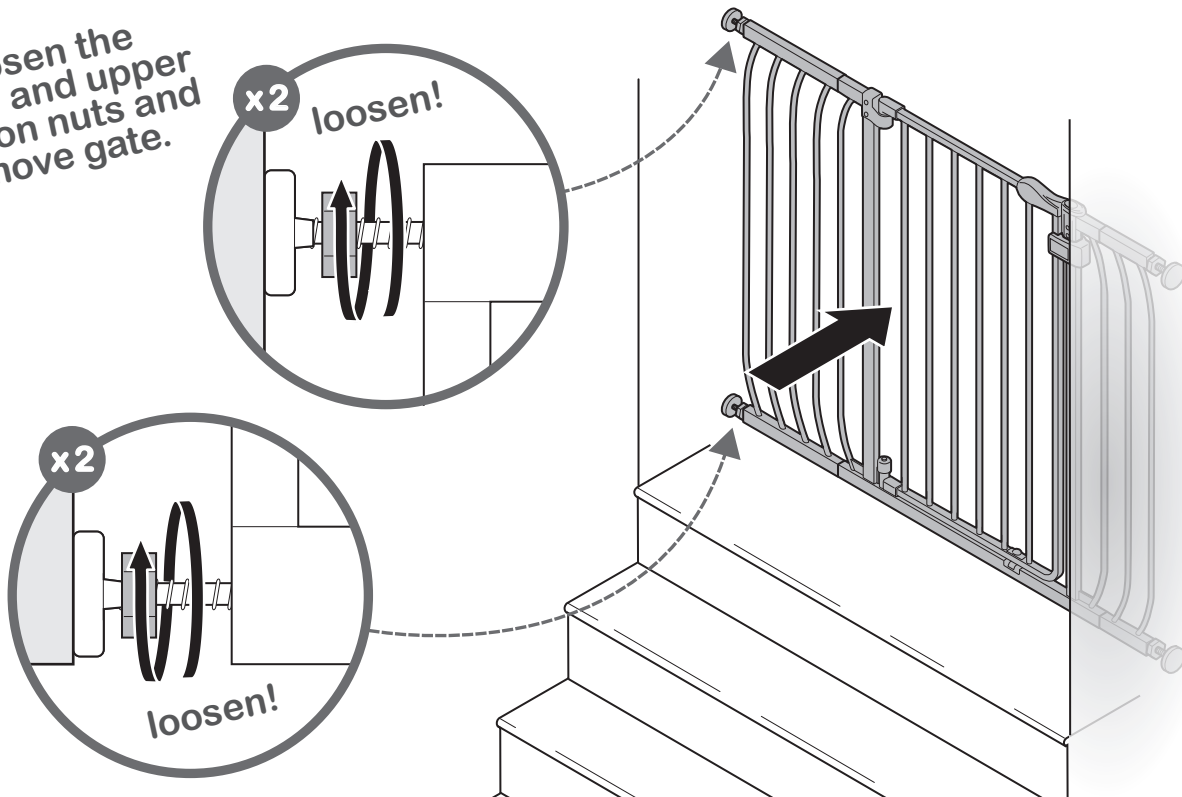
⚠ WARNING

For use at top of stairs, wall cup installation is **MANDATORY**.

Follow these wall cup installation instructions when using gate at **TOP OF STAIRS (MANDATORY)**, or if using wall cups for a standard opening (optional).
If opting not to use wall cups for a standard opening, skip ahead to step **14**.

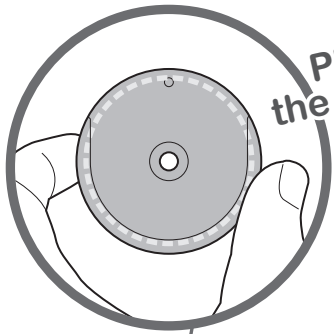


Loosen the lower and upper tension nuts and remove gate.

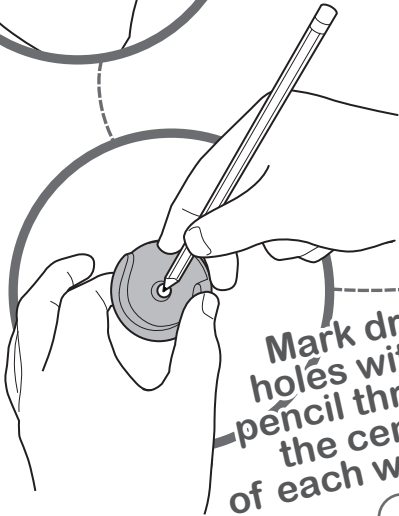


wall cup/top of stairs installation (continued)

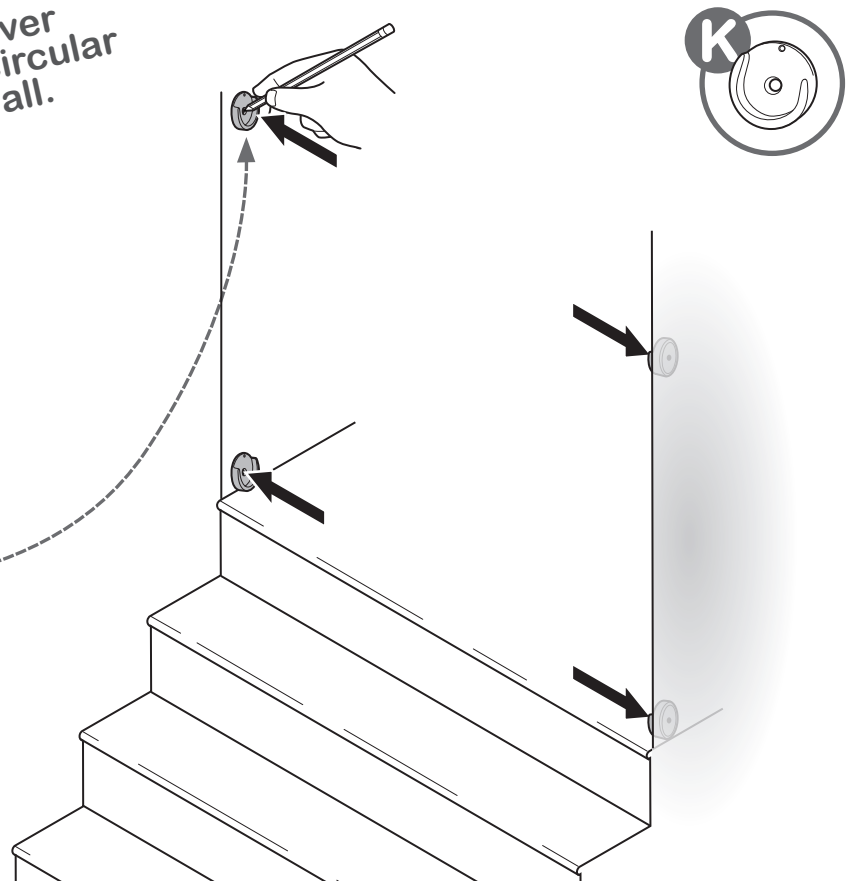
Place a wall cup over the center of each circular outline on the wall.



Mark drill holes with a pencil through the center of each wall cup.



x4



8

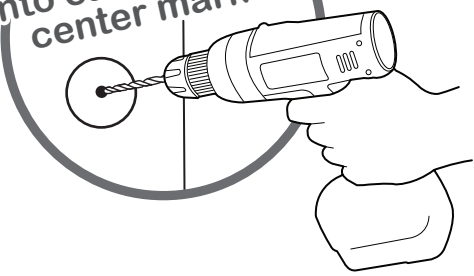


9

Note: If mounting into plaster or drywall, follow this step and use the wall anchors provided.

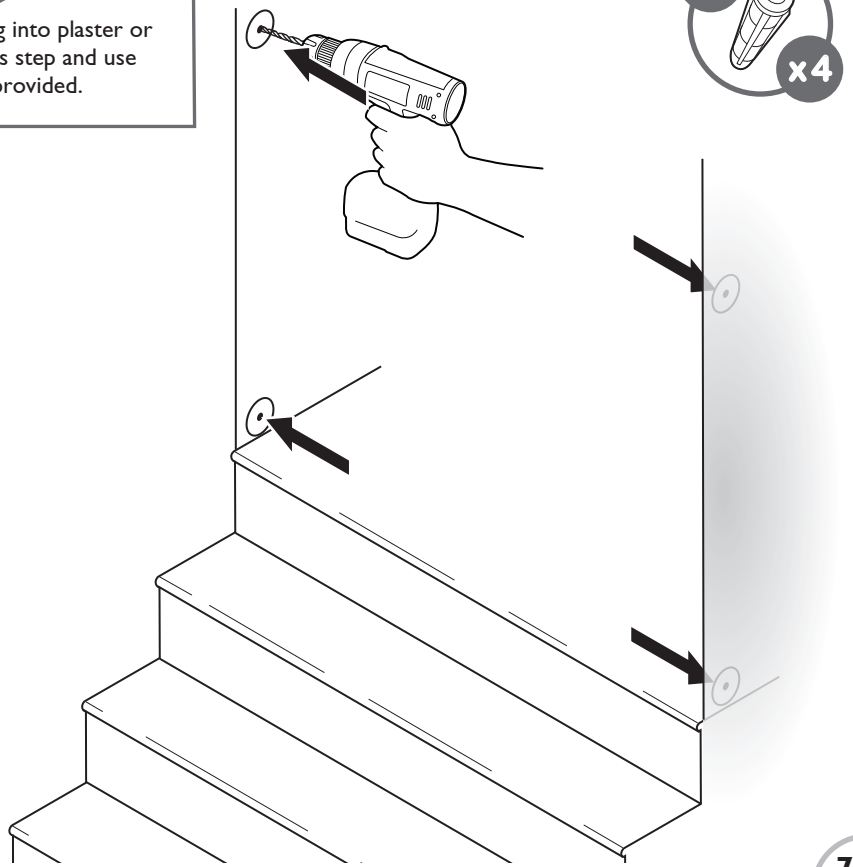
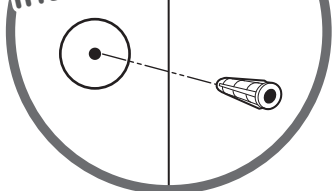
1st

Drill a 7/32" pilot hole into each of the 4 center marks.



2nd

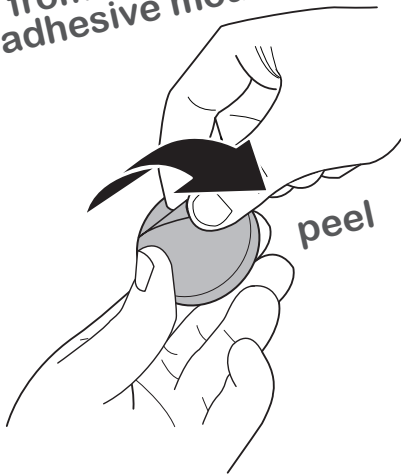
Insert wall anchors into pilot holes.



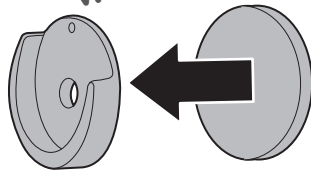
7

wall cup/top of stairs installation (continued)

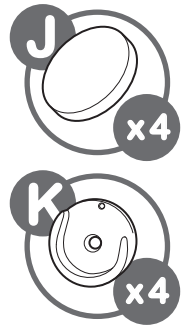
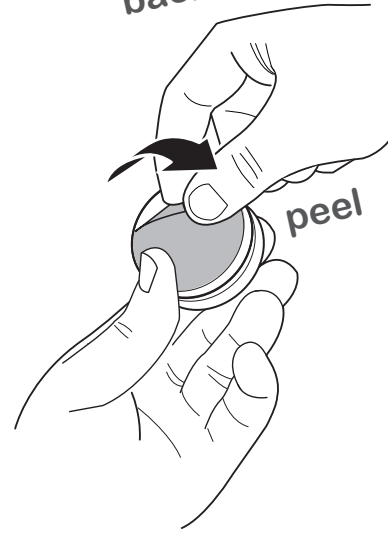
1st
Remove backing from one side of each adhesive mounting pad.



2nd
Attach one pad to the back of each wall cup.

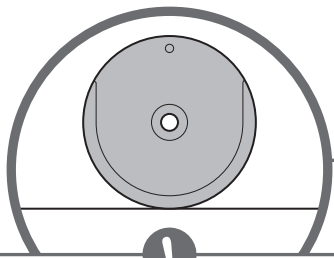


3rd
Remove backing.

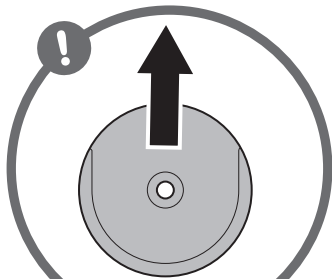


10

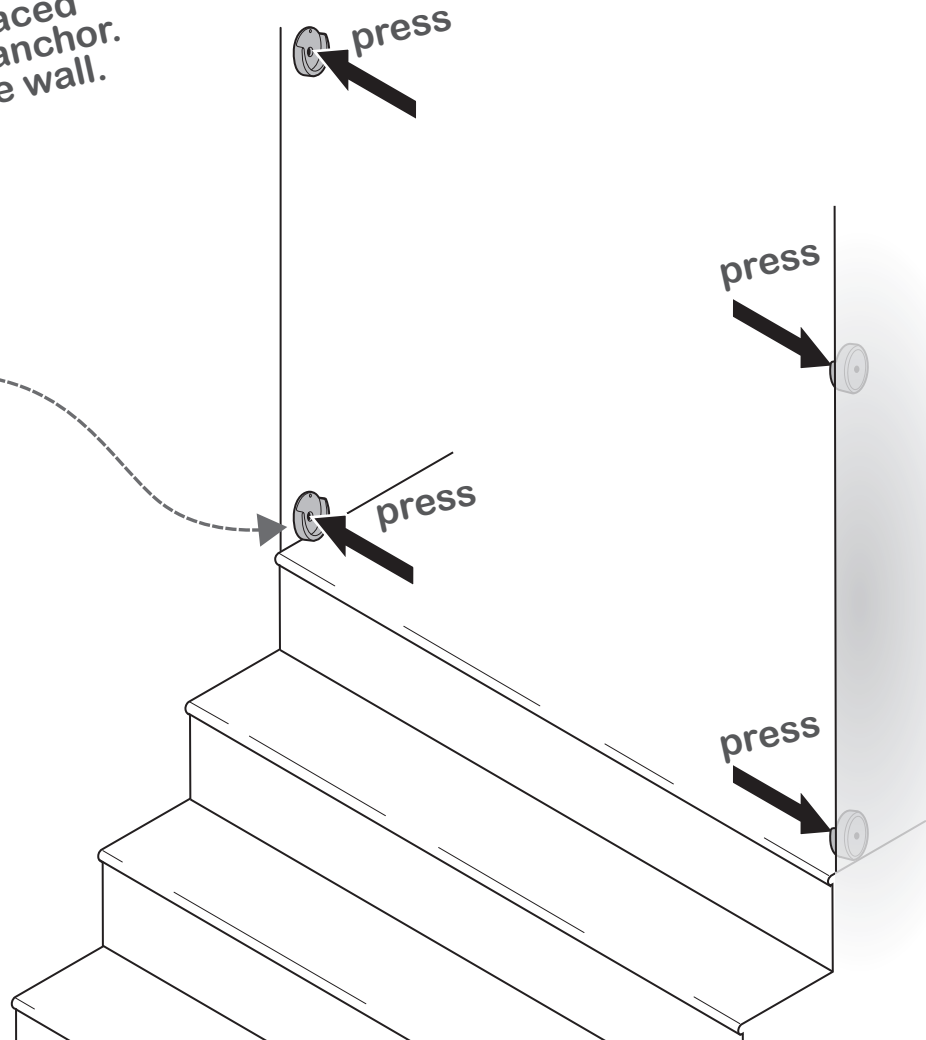
Align the wall cups so the center hole is placed directly over the wall anchor. Stick wall cups to the wall.



Note: The bottom wall cups should rest on the floor.



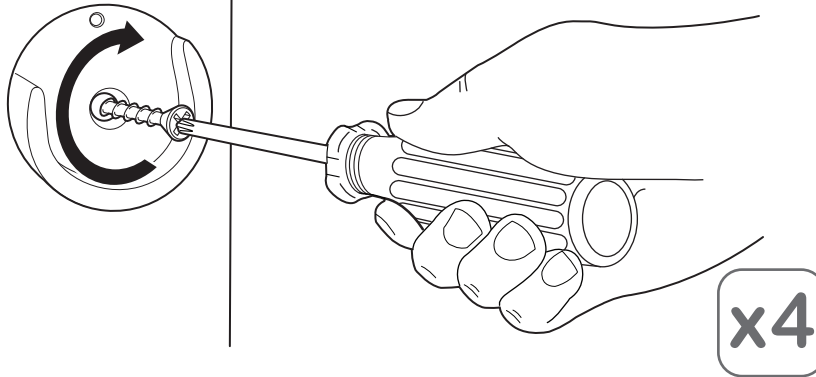
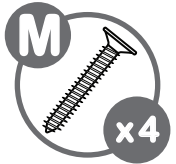
Make sure all wall cups are facing up.



wall cup/top of stairs installation (continued)

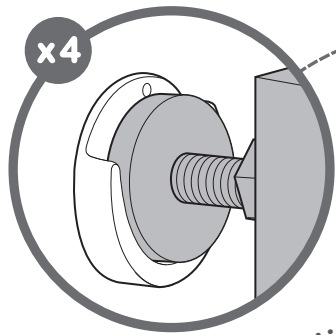


Screw
wall cups
into wall.



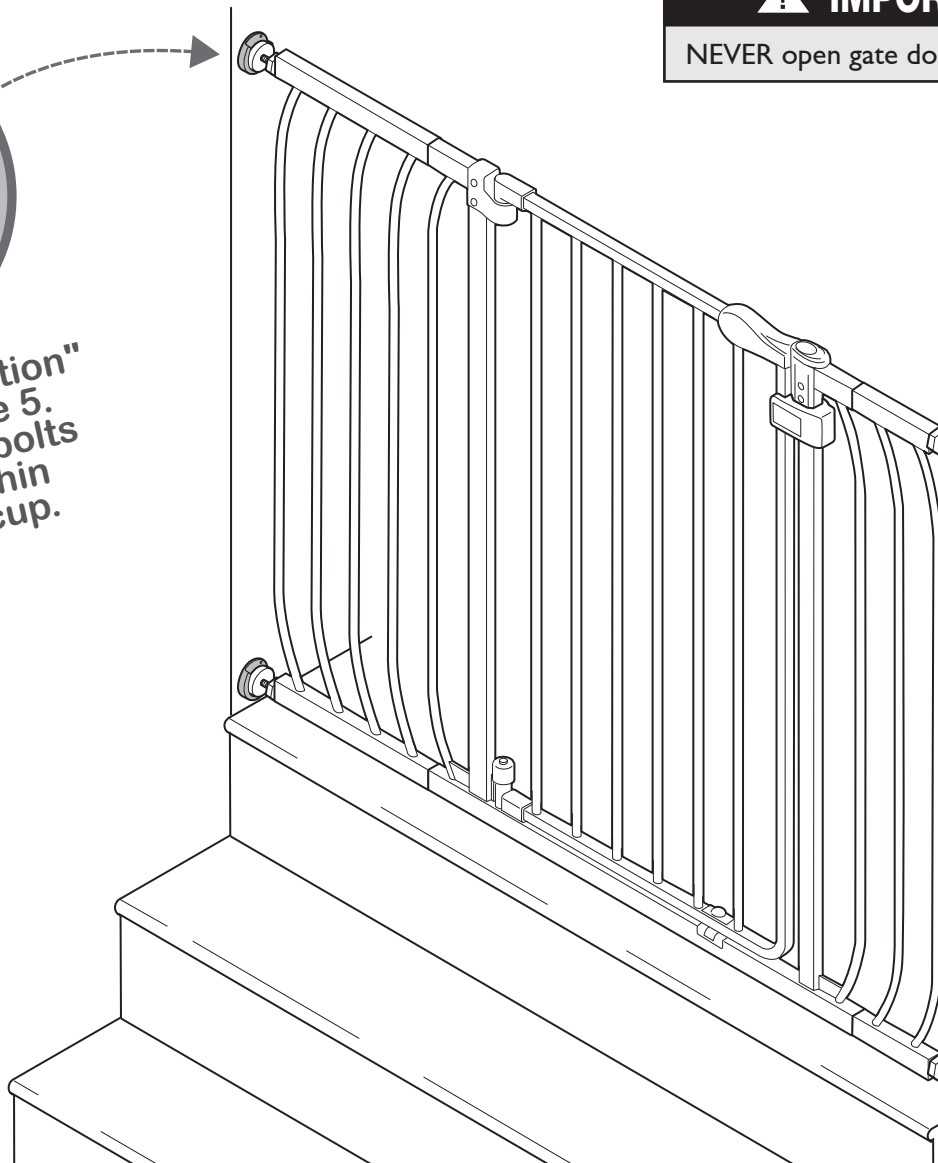
12

13



Repeat "installation"
steps on page 5.
The 4 tension bolts
will rest within
each wall cup.

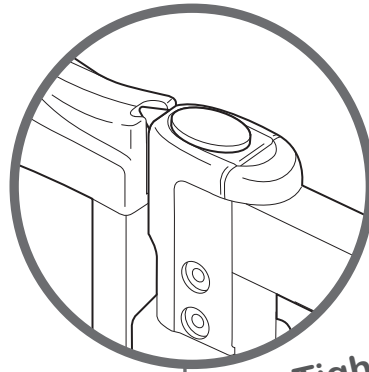
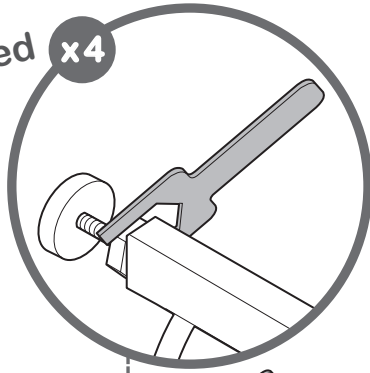
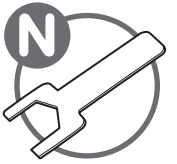
⚠ IMPORTANT
NEVER open gate door over stairs.



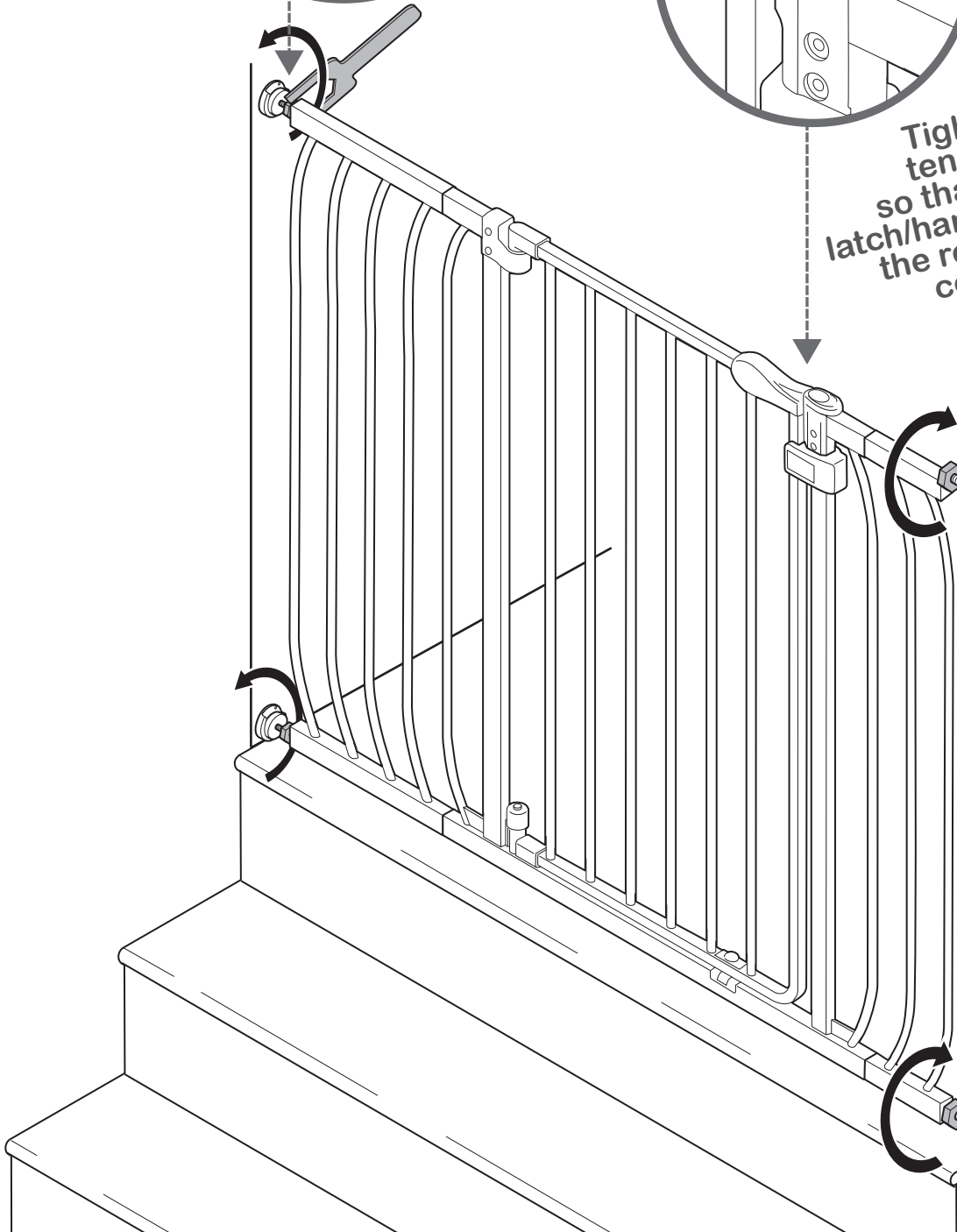
wall cup/top of stairs installation (continued)

Tighten all 4 tension nuts with the provided wrench.

x4

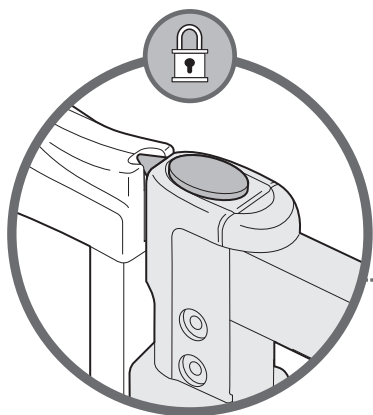


Tighten top tension nuts so that the upper latch/handle goes below the release button completely.

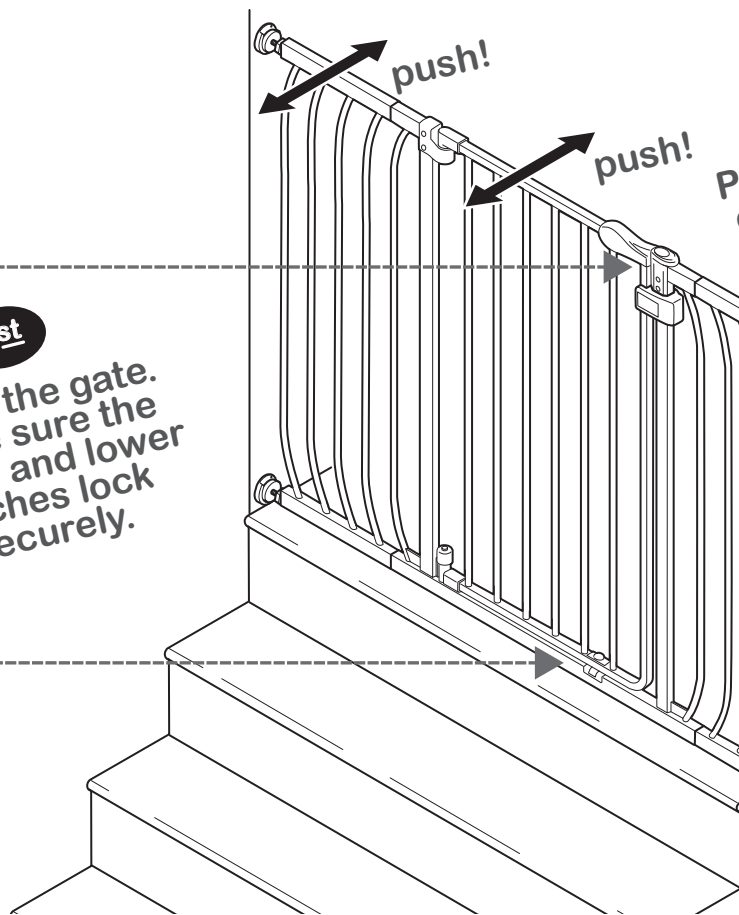
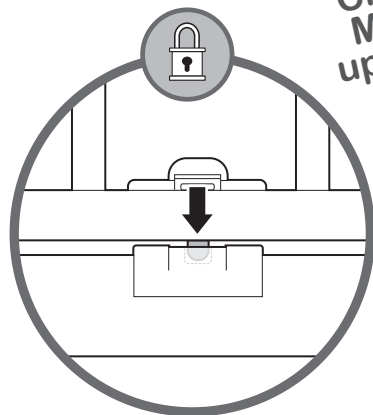


FINISHED!

testing the installation



1st
Close the gate.
Make sure the
upper and lower
latches lock
securely.



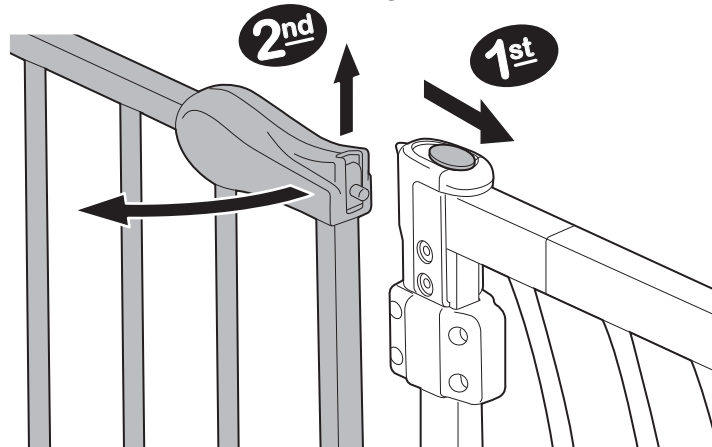
2nd
Push the gate and
extension frames
to check
stability.

operation



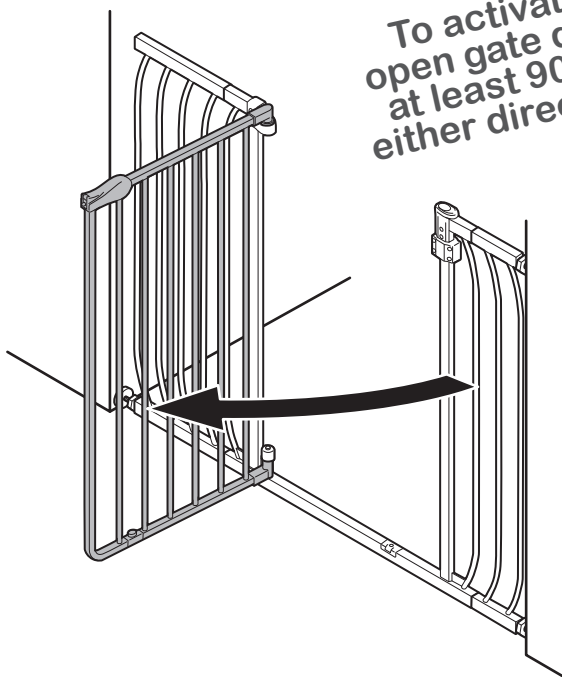
to unlock gate:

First, slide locking
tab back to release.
Second, lift gate
door open.



hold-open feature:

To activate,
open gate door
at least 90° in
either direction.



troubleshooting

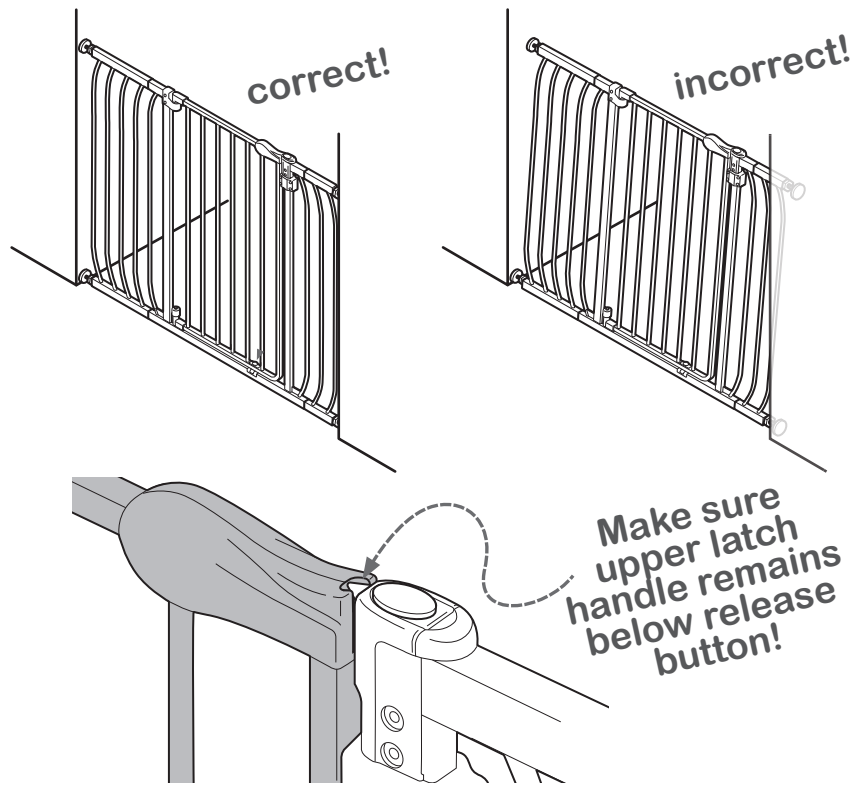
If the gate does not close properly:

1. Gate is not properly aligned in the door frame.

Solution: Make sure the gate is properly aligned in the door frame. To adjust the gate's alignment, loosen all four tension bolts and reposition gate so that it matches the "correct" image. Re-tighten tension nuts.

2. Pressure of tension bolts needs to be adjusted.

Solution: Loosen or tighten the upper tension nuts. Ensure the upper latch handle always remains below the release button. Ensure the upper latch handle engages securely when the gate swings closed and that it can be released properly when the release button is pushed.



maintenance

- Regularly check tension bolts to make sure the gate is securely in place.
- Do not use the gate if any components are damaged or missing.
- Surface-clean with a damp cloth or sponge, using mild detergent and warm water.
- To order a replacement hardware kit, contact Consumer Relations and reference the item number below.

replacement hardware kit # 07060A-10

We're here to help!

If you have any questions or need assistance, contact our Consumer Relations Team at **1-401-671-6551** or **www.summerinfant.com/contact**



summer®

Summer Infant (USA), Inc.

1275 Park East Drive
Woonsocket, RI 02895 USA
1-401-671-6551
© 2019 Summer Infant (USA), Inc.

Colors and styles may vary.
Made in China
1/19