

**PELLET GRILL AND SMOKER
WARNING & INSTRUCTION BOOKLET
MODEL NUMBER: PG24CL**



⚠ WARNING

FOR OUTDOOR USE ONLY

⚠ WARNING

If the information in this manual is not followed exactly, a fire or explosion may result causing property damage, personal injury or loss of life.

⚠ WARNING

- To installer or person assembling this appliance: Leave this manual with this appliance for future reference.
- To consumer: Keep this manual with this appliance for future reference.

This instruction manual contains important information necessary for the proper assembly and safe use of this product. Read and follow all warnings and instructions before assembling and using this appliance. Do not discard this instruction manual.

⚠ CAUTION

Use Only Wood Pellet Fuel Specified By The Manufacturer. Do Not Use Pellet Fuel Labeled As Having Additives. Only use Camp Chef Premium Pellets with the following specifications. 8,000-8,300 BTU/LB 0.75-0.85% Ash content

⚠ CAUTION

Contact local building or fire officials about restrictions and installation inspection requirements in your area.

A MAJOR CAUSE OF FIRES IS FAILURE TO MAINTAIN REQUIRED CLEARANCES (AIR SPACES) TO COMBUSTIBLE MATERIALS. IT IS OF UTMOST IMPORTANCE THAT THIS PRODUCT BE INSTALLED ONLY IN ACCORDANCE WITH THESE INSTRUCTIONS.

⚠ DANGER

1. Never operate this appliance unattended.
2. Never operate this appliance within 10 ft (3 m) of a stored LP cylinder.
3. Never operate this appliance within 25 ft (7.5 m) of any flammable liquid.
4. If a fire should occur, keep away from appliance and immediately call your fire department. Do not attempt to extinguish an oil or grease fire with water.

Failure to follow these instructions could result in fire, explosion or burn hazard, which could cause property damage, personal injury or death.

⚠ CAUTION

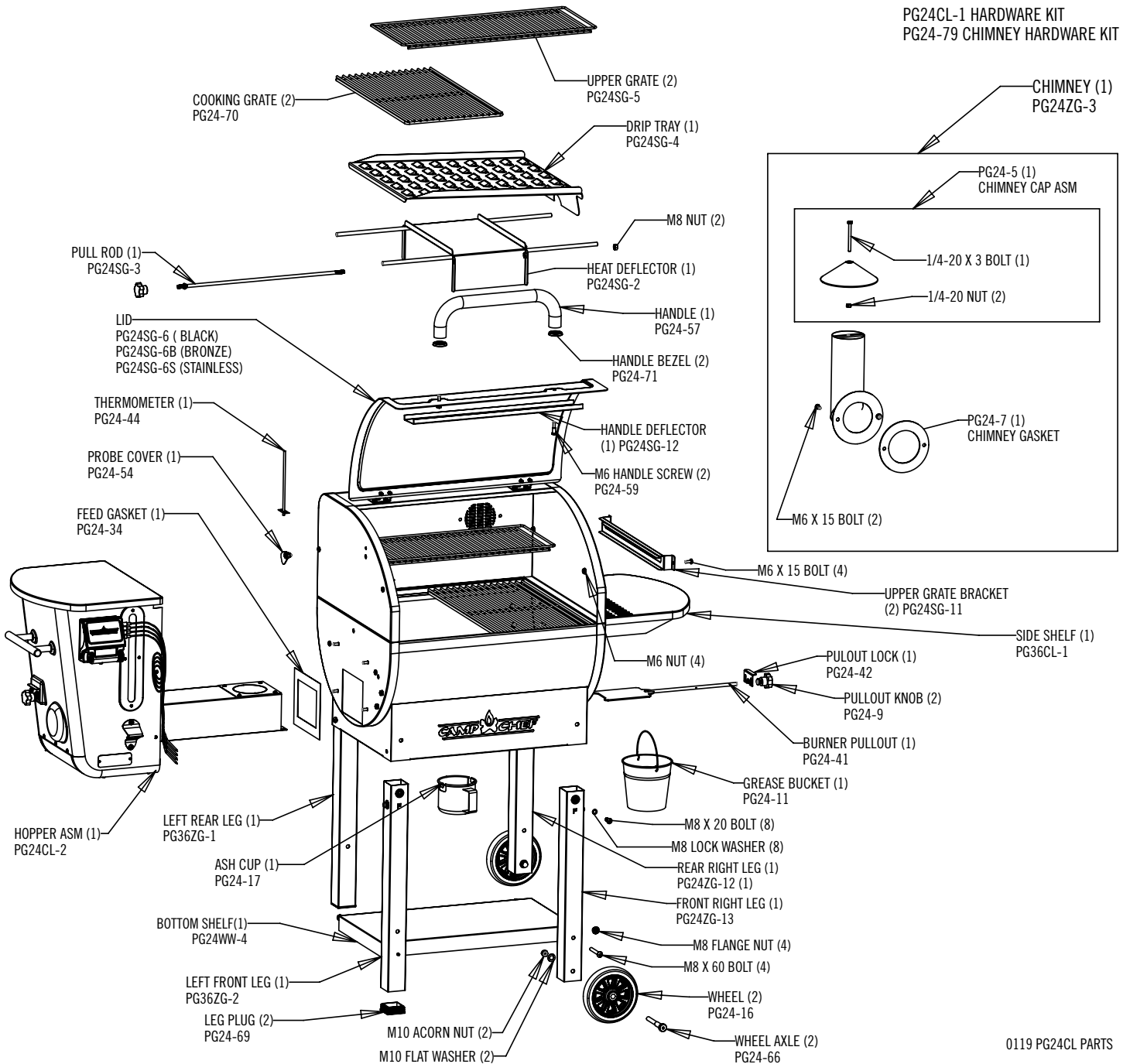
Always store wood pellets away from heat producing appliances and other food containers. Pellets should be stored in a dry environment.

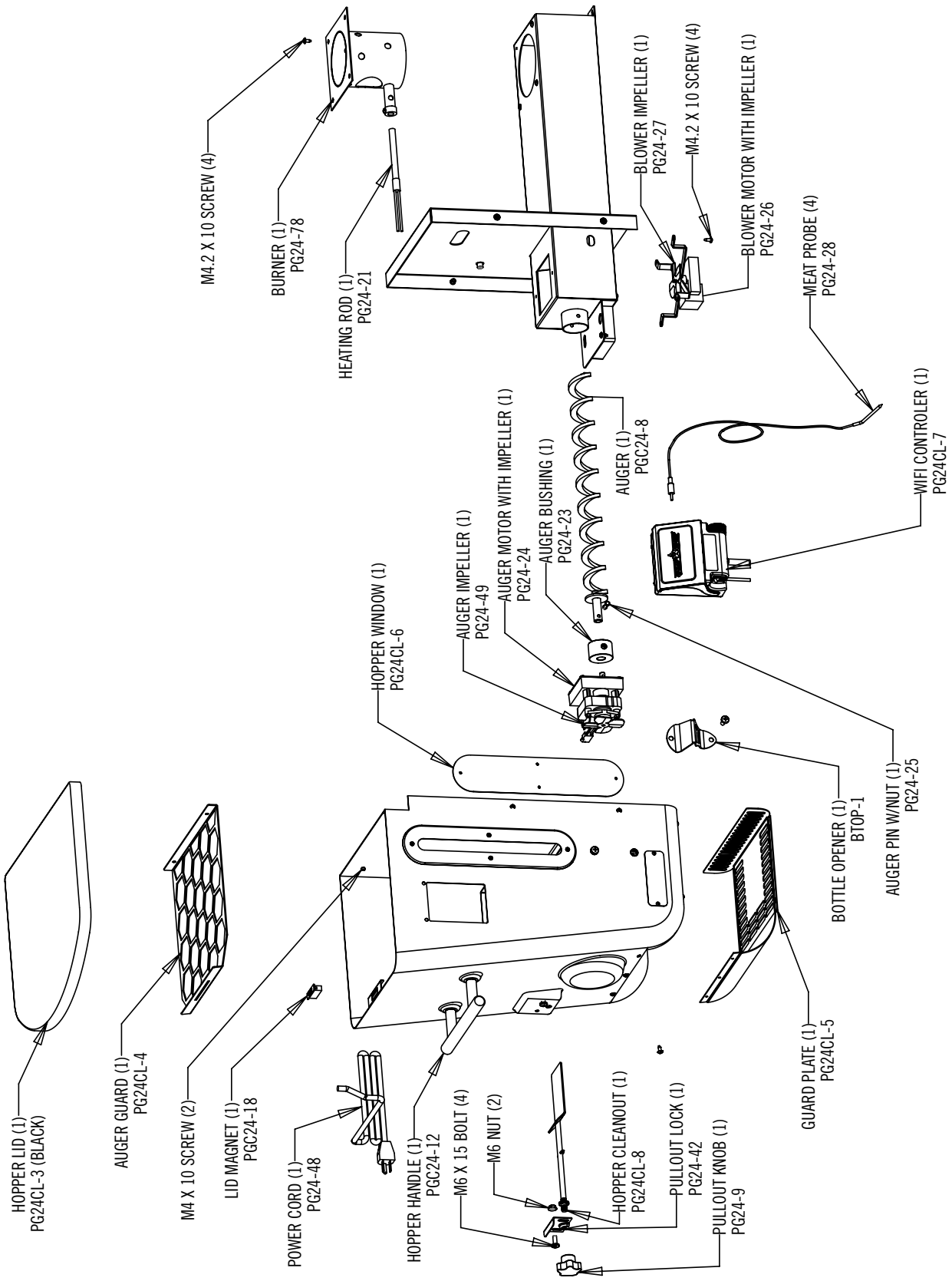
⚠ WARNING

Normal use will create a buildup of ash, grease, and creosote inside the grill. The grill must be thoroughly cleaned after every 50 hours of use or if a buildup of grease or creosote is noticed inside the grill. Clean the grill by removing all internal parts and thoroughly scrape away all grease and creosote from all internal surfaces including the grease drain and remove debris from the grill. The drip tray must always be cleaned prior to turning the grill to high or cooking in direct flame mode. Excessive buildup of grease and creosote may result in a grease fire. If a grease fire does occur, turn off the grill using the main power switch and close the lid. Leave the lid closed until the fire extinguishes itself. If an uncontrolled fire does occur, immediately call the local fire department. Never put water on a grease fire.

⚠️ CARBON MONOXIDE WARNING

Follow these guidelines to prevent this colorless, odorless gas from poisoning you, your family or others. Know the symptoms of carbon monoxide poisoning: headache, dizziness, weakness, nausea, vomiting, sleepiness, and confusion. Carbon monoxide reduces the blood's ability to carry oxygen. Low blood oxygen levels can result in loss of consciousness and death. See a doctor if you or others develop cold or flu-like symptoms while cooking or in the vicinity of this appliance. Carbon monoxide poisoning, which can easily be mistaken for a cold or flu, is often detected too late. Alcohol consumption and drug use increase the effects of carbon monoxide poisoning. Carbon monoxide is especially toxic to mother and child during pregnancy, infants, the elderly, smokers and people with blood or circulatory system problems, such as anemia, or heart disease.





1. Do NOT leave this appliance unattended while in use. The user must remain in the immediate area of the product and have a clear view of the product at all times during operation.
2. Keep children and pets away from grill at all times.
3. The use of alcohol, prescription or non-prescription drugs may impair your ability to properly assemble or safely operate this appliance.
4. For OUTDOOR use only. Do NOT use in a building, garage or any other enclosed area. Do NOT use in or on recreational vehicles or boats. NEVER use this appliance as a heater.
5. Do not operate appliance under ANY overhead construction. Keep a minimum clearance of 36 inches (0.9 m) from the sides, front and back of appliance to ANY construction. Keep the area clear of all combustible material and flammable liquids, including wood, dry plants and grass, brush, paper, and canvas.
6. This product is not intended for commercial use.
7. Always allow the appliance to cool before covering with the patio cover.
8. Always cover the appliance, with patio cover (if supplied), when not in use.
9. Always unplug grill before installing patio cover.
10. Use only on a level, stable non-combustible surface like bricks, concrete or dirt. Do not use this appliance on any surface that will burn or melt like wood, asphalt, vinyl or plastic.
11. Make sure burner clean-out is closed before starting the grill.
12. Make sure the grease bucket is in place before starting the grill.
13. In the event of a fire unplug the grill from the power supply, close the lid, and leave it closed until the fire goes out. After allowing the grill to cool, follow the cleaning instructions before the next use.
14. Use only food grade hardwood pellets manufactured for use in pellet grills. Using softwood or heating pellets will void your warranty.
15. Do not allow the hopper to run out of pellets. Pellets can be added at any time. The hopper will hold approximately 22 pounds of pellets. The pellet usage will vary greatly depending on the ambient temperature as well as cooking temperature.
16. It is recommended that you not store pellets in the hopper for extended periods as they may absorb moisture from the air and clog the auger.
17. Keep the lid closed during cooking. The grill is designed to cook with the lid closed.
18. Note that the cooking temperature displayed on the digital readout is measured near the cooking surface on the left side of the grill. The actual temperature inside the cooking chamber will vary slightly throughout.
19. Do not use accessories not specified for use with appliance.
20. Never use gasoline, gasoline-type lantern fuel, kerosene, charcoal lighter fluid, or similar liquids to start or freshen up a fire in this appliance. Keep all such liquids well away from the appliance when in use.
21. Ashes should be placed in a metal container with a tight fitting lid. The closed container of ashes should be placed on a non combustible floor or on the ground, well away from all combustible materials, pending final disposal. When the ashes are disposed by burial in soil or otherwise locally dispersed they should be retained in the closed container until all cinders have thoroughly cooled.
22. Creosote – Formation and need for removal. When wood pellets are burned slowly, they produce tar and other organic vapors that combine with expelled moisture to form creosote. The creosote vapors condense in a relatively cool oven flue and exhaust hood of a slow burning fire. As a result, creosote residue accumulates on the flue lining and exhaust hood. When ignited, this creosote makes an extremely hot fire. The grease duct should be inspected every 50 hours to determine when grease and/or creosote build-up has occurred. When grease or creosote has accumulated, it should be removed to reduce risk of fire.

⚠ DANGER

Do not work on this grill if it is plugged in. Electric shock may occur resulting in death or serious injury.

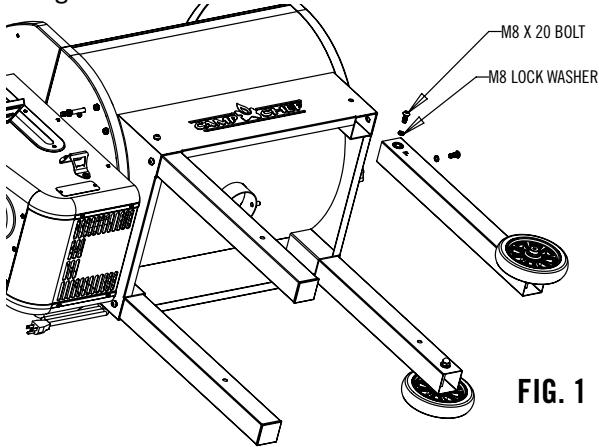
ASSEMBLY INSTRUCTIONS

Remove all loose parts from the inside of the grill and hopper. Lay a blanket or piece of cardboard down to protect the grill.

ATTACH THE LEGS

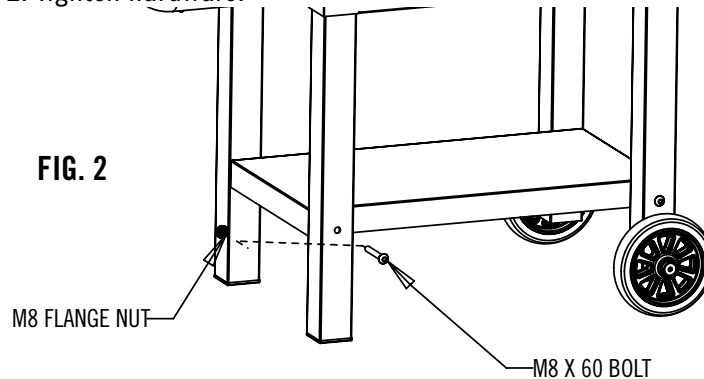
With the help of another person flip the grill upside down on the blanket or cardboard. The grill lid and hopper lid will swing open when doing this so be careful not to damage the lids. The grill may also want to roll on its lid so one person should hold the grill steady while the other person assembles the bottom legs and wheels.

1. Lay the grill on its back.
2. Install each of the 4 legs as shown in Fig 1. Make sure the legs with wheels are attached to the right side of the grill with the wheels facing out. Note: Front legs are marked with an F and back legs are marked with a B.
3. Stand the grill upright
4. Tighten all hardware.



ATTACH BOTTOM SHELF

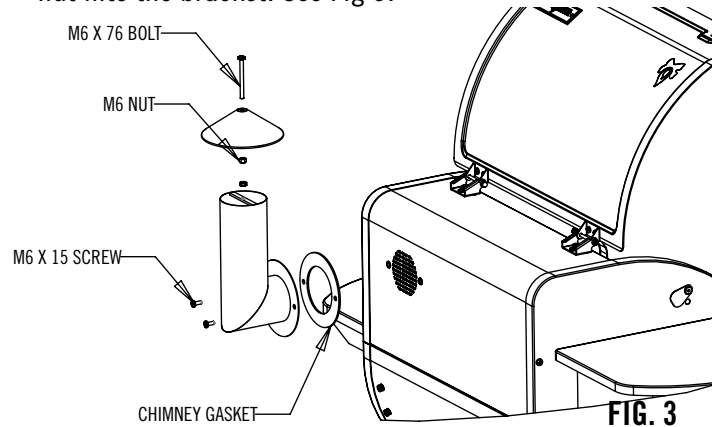
1. Install bottom shelf as shown in Fig. 2 by installing hardware in each of the 4 corners.
2. Tighten hardware.



ATTACH CHIMNEY AND CHIMNEY CAP

1. Install chimney to grill as shown in Fig 3. Make sure to install the gasket between the grill and the chimney.
2. Tighten all hardware.
3. Install M6 x 76 Bolt through chimney cap and secure

using Qty (1) M6 nut. Thread second nut onto bolt leaving approximately 1.5" to the top of the cap. Thread cap assembly down into the chimney bracket until the lower nut hits the bracket. See Fig 3.

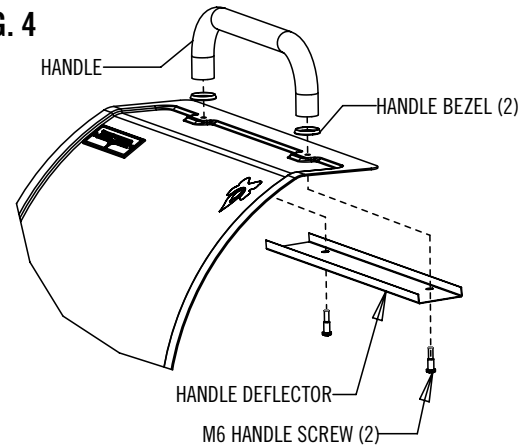


4. The height of the chimney cap can be adjusted for summer and winter. In the summer the gap should be approximately 1-1/2". In the winter the gap should be approximately 1/2".
5. Tighten all hardware.

INSTALL HANDLE

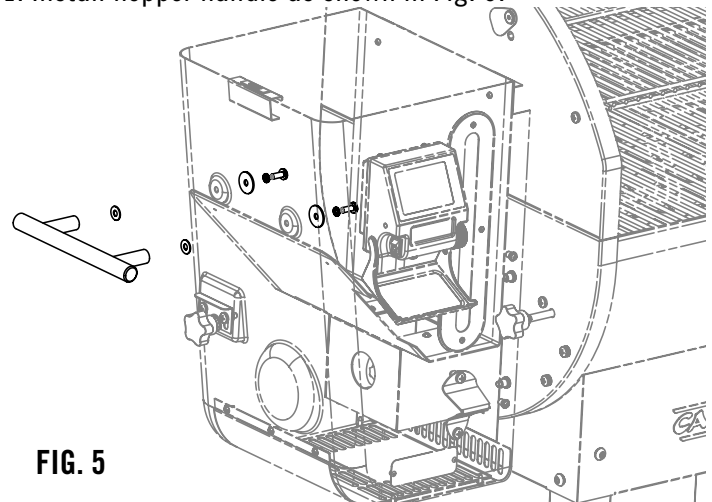
1. Install the handle as shown in Fig 4.
2. Tighten all hardware.

FIG. 4



INSTALL HOPPER HANDLE

1. Install hopper handle as shown in Fig. 5.



INSTALL HOPPER GUARD AND LID

1. Install guard and lid as shown in Fig. 6. The tab on the hopper should be inserted into the slot on the guard. Use screws to secure hopper guard and lid to the hopper.

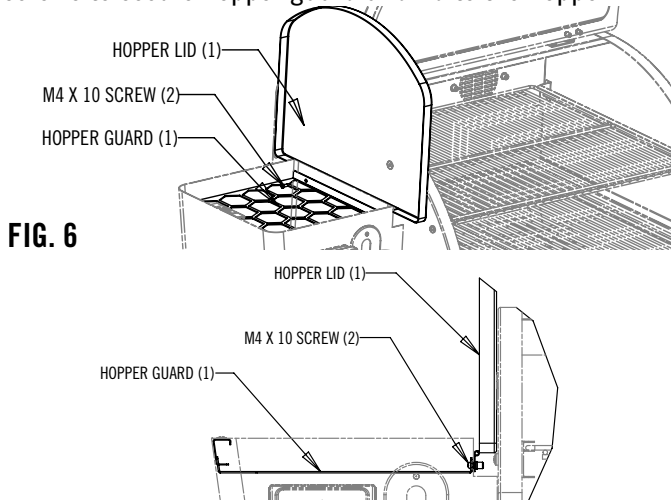


FIG. 6

INSTALL SHELF BRACKET

1. Install the bracket as shown in Fig 7.
2. Tighten all hardware.

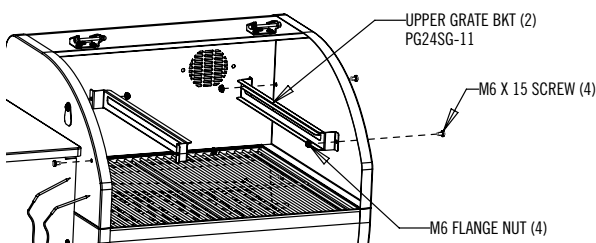


FIG. 7

INSTALL SHELF

(Optional-Do not install if installing sear box)

1. Install shelf as shown in Fig 8.
2. Tighten all hardware

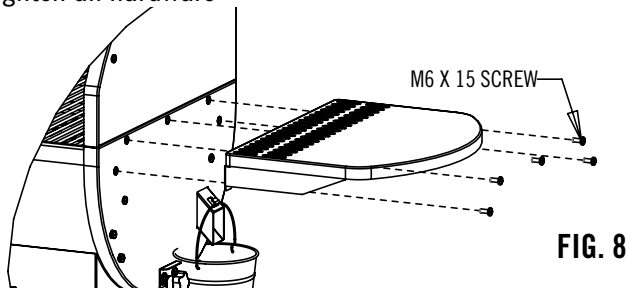


FIG. 8

GREASE BUCKET

1. Hang grease bucket from tube as shown in Fig 9.

ASH CUP

1. Install Ash Cup as shown in Fig 9. Never use grill without Ash Cup in place.

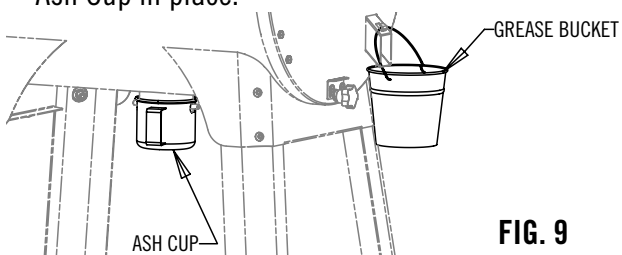


FIG. 9

INSTALL DRIP TRAY

1. Install the Drip Tray as shown in Fig 10 and Fig11.

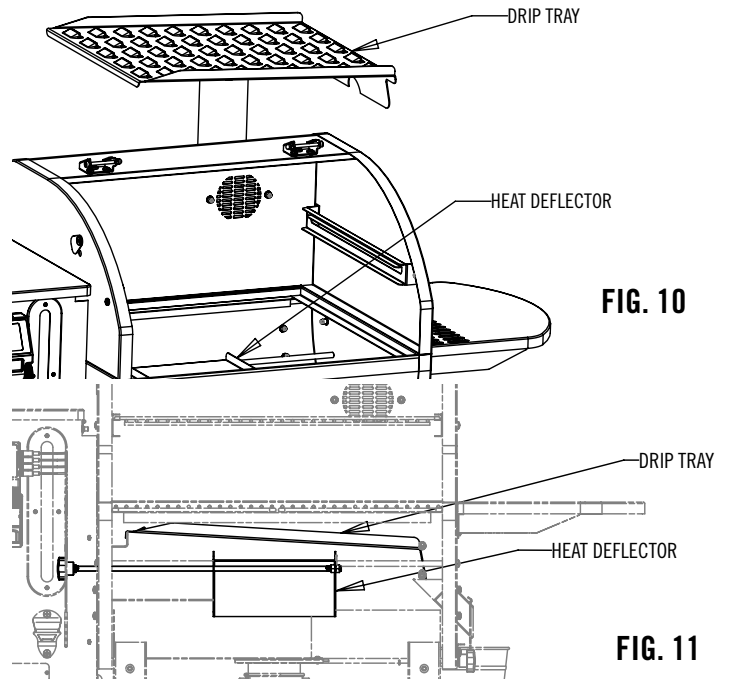


FIG. 10

FIG. 11

WARMING RACK AND COOKING GRATE

1. Install the cooking grate as shown in Fig 12.

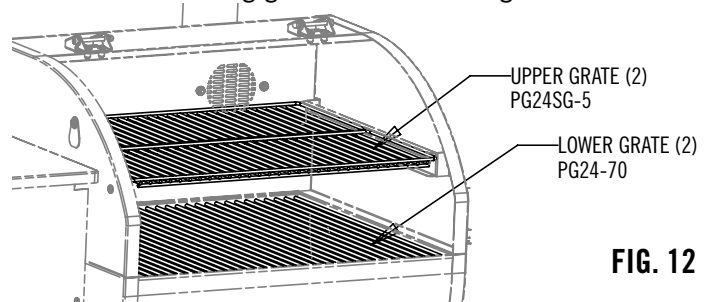


FIG. 12

CLEAN-OUT KNOB ASSEMBLY INSTALLATION

Hand tighten the burner clean-out knob as shown in Fig 13.

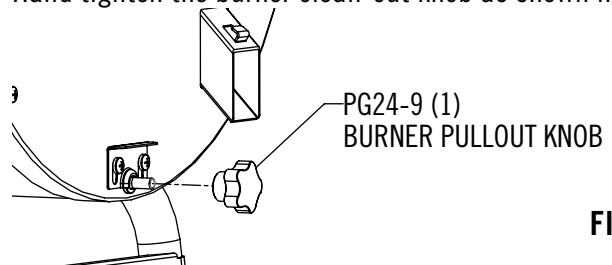
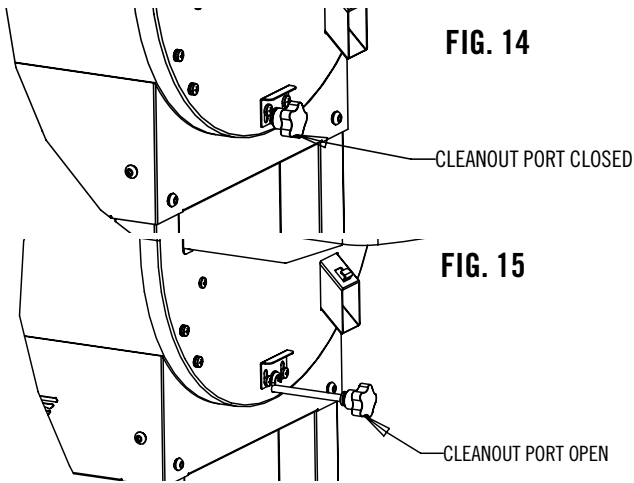


FIG. 13

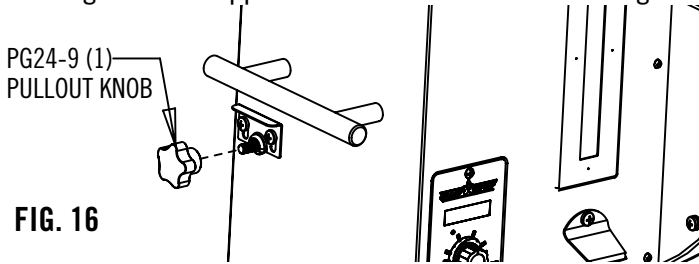
CLEAN-OUT PORT KNOB

1. Clean-out Port knob must be pushed in when grill is on. Make sure pullout lock is pushed down and locks the knob to prevent inadvertent opening of the clean-out port. See Fig 14.
2. Lift pullout lock and pull clean-out port knob to empty ash into ash cup. See Fig 15
3. See instructions for burner clean-out.



HOPPER CLEAN-OUT KNOB ASSEMBLY INSTALLATION

Hand tighten the hopper clean-out knob as shown in Fig 16.

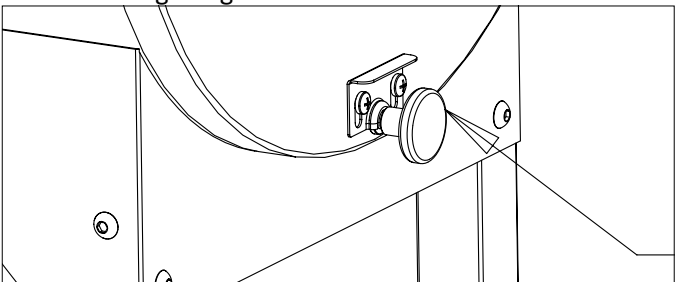


BURNER CLEAN-OUT

Before each use the burner should be cleaned out by lifting the pullout lock and pulling the clean-out port knob on the right side of the grill to open the burner clean-out. This will allow the ash from previous use to fall into the cup under the grill. The cup should be removed and emptied and then reinstalled before each use.

⚠ DANGER

Never Operate the Pellet grill without the ash cup in place. Make sure the burner clean-out port is closed and locked before starting the grill.



Never open the burner clean-out port when the grill is hot.

After cleaning out the burner make sure to close the burner clean-out by pushing the clean-out port knob in on the right side of the grill. Make sure to lift the pullout lock and push the clean-out port knob all the way in and lock in place with the pullout lock. Every 50 hours of use, remove the grill grates, grease tray, and heat deflector and clean the inside of the grill. If you notice a lot of ash blowing around in the grill it is time to vacuum it out.

FILLING THE AUGER TUBE

CAUTION: ONLY USE THE FEED SETTING WHEN HOPPER HAS RUN OUT OF PELLETS. FEED SETTING IS NOT FOR NORMAL USE.

The first time you use your grill or any time the hopper has ran out of pellets you will need to fill the auger tube. This simply means you must fill the auger tube with pellets until pellets reach the burner. This is done by selecting FEED from the main menu. This will turn the auger on and the controller will display “FEED”. The auger will remain on for no more than 7 minutes. This is ample time for the pellets to reach the burner. It is easiest to open the burner clean-out by pulling the knob on the right side of the grill. Once you hear pellets dropping into the cup you can close the clean-out port by pushing the knob on the right side of the grill and then select your cooking temperature. (Never operate grill without the ash cup in place). Always make sure the burner clean-out port is closed by pushing in the knob on the right side of the grill before selecting any of the cook settings. Never open the burner clean-out port when the grill is hot.

APP QUICK START GUIDE



1. Download the Camp Chef APP from the Apple APP store or Android Play Store.
2. Turn the Grill controller on using the main power switch.
3. Open the Camp Chef APP and follow the setup instructions for connecting the grill to your home 2.4 GHz WiFi network.

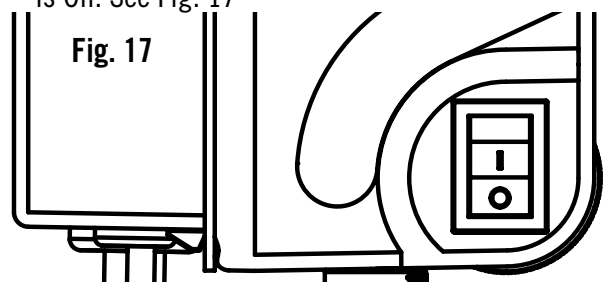
Warning - Do NOT leave this appliance unattended while in use. The user must remain in the immediate area of the product and have a clear view of the product at all times during operation.

Note - Some functions are only available from the controller. If attempting to start the grill from the APP it will prompt you to confirm starting the grill from the controller. Temperature and Smoke settings can be adjusted from the APP. Shutdown can also be performed from the APP. For more information visit <https://www.campchef.com/app>

CONTROLLER EXPLANATION

POWER SWITCH

Used to turn the main power onto the pellet grill. “0” is Off. “-“ is On. See Fig. 17



CONTROLLER FUNCTIONS

Rotate the dial to scroll through menus, adjust temperature, or smoke settings. Press the dial to select.

SHUTDOWN

This setting must be used after each use. Select SHUTDOWN from the main menu. The fan will remain on for up to 20 minutes. This setting will burn up any extra pellets in the burner and cool down the grill. Do not turn the main power switch off when the grill is hot.

FEED - Select FEED from the main menu. This setting is used to feed pellets to the burner. It will be used the first time you use the grill to fill the auger tube and any time you may inadvertently run the hopper out of pellets. See instructions on filling the auger tube.

SET TEMP LOW SMOKE - Select SET TEMP from the main menu. Rotate dial to LOW SMOKE and press to confirm. This setting is used for smoking foods at an average temperature of 160F. This setting will produce large amounts of smoke.

SET TEMP HIGH SMOKE - - Select SET TEMP from the main menu. Rotate dial to HIGH SMOKE and press to confirm. This setting is used for smoking foods at an average temperature of 220F. This setting will produce large amounts of smoke.

SET TEMP 160F TO 450F - Select SET TEMP from the main menu. Rotate dial to the desired temperature and press to confirm.

SET TEMP HIGH - Select SET TEMP from the main menu. Rotate dial to HIGH and press to confirm. This setting can be used to achieve temperatures up to 500F depending on ambient temperatures.

SET SMOKE - The SET SMOKE setting is available for temperatures from 160F - 350F. Select SET SMOKE from the main menu. Rotate dial to the desired SMOKE SETTING and press to confirm. The SMOKE SETTING can be adjusted from 1-10. A smoke setting of 1 will produce less smoke and maintain a more even temperature. As the smoke setting is increased more smoke will be produced. Note that as the smoke setting is increased temperature fluctuations will increase.

BREAKING IN THE GRILL

We suggest turning the grill to 350F for ½ hour before cooking on the grill for the first time. This will burn off any manufacturing oils and cure the paint. Make sure to follow the instructions for filling the auger tube before breaking in the grill.

⚠ WARNING

Always start the grill with the lid open. The lid must be closed after the start cycle.

COOKING

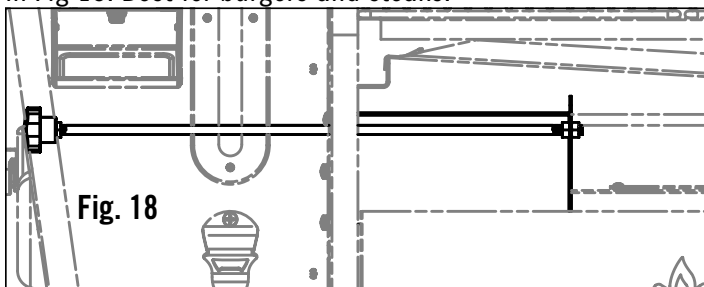
Once the auger tube has been properly filled you can begin cooking by selecting SET TEMP from the main menu and setting the desired temperature. Upon confirming the set temperature the grill will go into the Startup mode. The control will display START during the startup cycle. After 6 minutes the control panel will change to the temperature display screen.

⚠ WARNING

Do not over-fire the grill by over feeding pellets into the burner prior to startup. If flame is inadvertently extinguished never restart the grill without first cleaning out the burner. Improper use can cause an uncontrolled fire.

DIRECT FLAME MODE

Pull grill knob out all the way to allow direct heat as shown in Fig 18. Best for burgers and steaks.

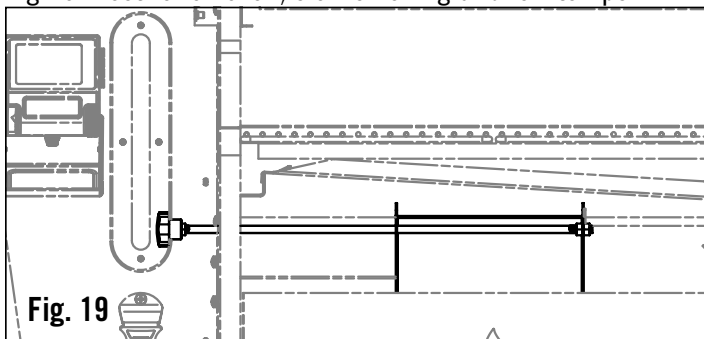


⚠ WARNING

Always clean grease tray to remove excess grease drippings prior to cooking in Direct Flame Mode. A dirty grease tray may result in excessive flare ups or grease fire. If grease fire does occur, turn off grill using the main power switch and close the lid. Leave the lid closed until fire is extinguished. If an uncontrollable fire does occur, immediately call local fire department. Never put water on the fire.

INDIRECT FLAME MODE

Push grill knob in all the way for indirect heat as shown in Fig 19. Best for chicken, slow smoking and low temps.



SHUTDOWN

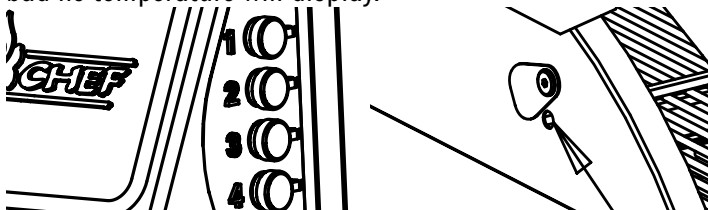
When you are done cooking select SHUTDOWN from the main menu. The display screen will display SHUTDOWN. In this setting the fan will remain on for 20 minutes to finish burning any pellets in the burner and cool the grill down. After 20 minutes the display screen will turn off. At this point the main power switch should be switched to off. Before grill can be used, the power switch must be turned off and back on.

BYPASS MODE

The bypass may be used if there is a power failure, or the grill is accidentally turned off, or anytime you need to restart the grill and it is still hot. The bypass mode should only be used if the grill has been off less than 3-4 minutes. This method is used to bypass the normal startup mode and get the grill cooking again quickly. The burner must still be hot enough to ignite new pellets or this method will not work. BYPASS can be selected during the initial startup of the grill only by selecting BYPASS from the STARTUP screen. If the grill fails to ignite using the bypass mode then restart the grill using the normal startup procedures.

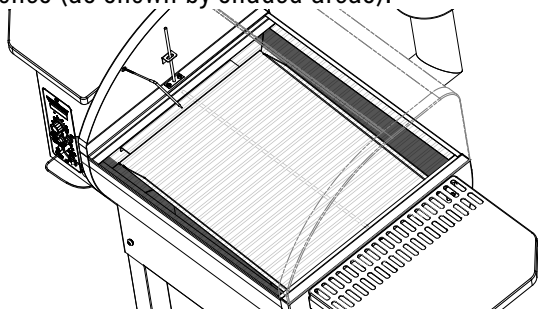
MEAT PROBES

This smoker has built in meat probes to measure the temperature of the food as it is being cooked. To use these probes insert the wire through the stainless flaps on the side of the firebox. Insert the probes into the food. Plug the connectors into the receptacles on the side of the control panel. If the probes are not installed correctly or the probe is bad no temperature will display.



⚠ CAUTION

Do not use meat probes when grill temperature exceeds 350°F. Damage to the probes may occur. Do not allow meat probe wires to lie in the direct heat zones (as shown by shaded areas).



Direct heat will damage the meat probe wires. Always route the meat probes through ports on the side of the grill. Do not submerge wire in water. Not dishwasher safe.

CLEANING

Clean grates using a wire grill brush. This should be done with each use. DO NOT use oven cleaner or abrasive cleaners on the painted grill surfaces. Use warm soapy water on all painted surfaces. Clean grease pan, grease trough, and grease drain tube occasionally. A spatula can be used to scrape excess grease and a grill brush to brush clean. Do not allow grease to build up on the grease tray or in the grease trough as this can cause flare-ups inside the grill. Make sure not to obstruct the flow of grease off of the tray and into the grease trough. Make sure not to block the airflow to the temperature sensor on the left side of the grill.

⚠ WARNING

Normal use will create a buildup of ash, grease, and creosote inside the grill. The grill must be thoroughly cleaned after every 50 hours of use or if a buildup of grease or creosote is noticed inside the grill. Clean the grill by removing all internal parts and thoroughly scrape away all grease and creosote from all internal surfaces including the grease drain and remove debris from the grill. The drip tray must always be cleaned prior to turning the grill to high or cooking in direct flame mode. Excessive buildup of grease and creosote may result in a grease fire. If a grease fire does occur, turn off the grill using the main power switch and close the lid. Leave the lid closed until the fire extinguishes itself. If an uncontrolled fire does occur, immediately call the local fire department. Never put water on a grease fire.

CHIMNEY CLEANING

When wood pellets are burned slowly, they produce tar and other organic vapors that combine with expelled moisture to form creosote. The creosote vapors condense in a relatively cool oven chimney of a slow burning fire. As a result, creosote residue accumulates on the chimney. When ignited, this creosote makes an extremely hot fire. The chimney should be inspected every 50 hours of use to determine when grease and or creosote buildup has occurred. When grease or creosote has accumulated, it should be removed to reduce risk of fire. Use a wire brush to clean the screen area of the chimney outlet on the inside of the grill with every 50 hours of use. The chimney must be removed and thoroughly cleaned to remove creosote and grease buildup every 200 hours of use.

TROUBLESHOOTING

GRILL DOES NOT TURN ON.

Grill fails to turn on after switching the power button to the on position.

1. Make sure the grill is plugged into a powered outlet. Check the circuit breaker and/or GFCI switch. Test the outlet using another appliance.

- Unplug the grill and check the fuse located in the bottom of the control panel. If the fuse is blown replace only with 4.0 Amp 125V 5x20mm Fast Blow Fuse. Typical fuse marking will be 4A125V, F4A125V, 4A250V, or F4A250V. Make sure to confirm they are a Fast Blow Fuse. Actual fuse dimensions are 5.2x20mm.

If problem cannot be resolved please call customer service.

GRILL DOES NOT HEAT UP OR CONTROLLER DISPLAYS FLAME ERROR

- Turn Power Off
- Check hopper for pellets
- Check firebox to see if there are pellets in the firebox. The easiest way to do this is to pull the burner clean-out lever. Then remove the cup from the bottom of the grill and check for pellets. Use a vacuum to clean-out any pellets that may be in the bottom of the grill.
 - If there are a lot of pellets in the cup. Reinstall the cup and close the burner clean-out, remove the grill grates, grease tray, and heat deflector and vacuum out any pellets in the bottom of the grill. Try restarting the grill. If restarting the grill does not work and pellets are getting to the burner cup the heating rod may need to be replaced.
 - If there are few or no pellets in the cup then turn the dial to the feed position and see if pellets fall out the bottom of the burner. If there are no pellets check to see if the auger is turning. If the auger motor is turning but the auger is not there may be a sheared auger pin. You can determine if the auger motor is turning by watching the small white fan at the end of the auger motor under the hopper. If the white fan is turning the auger motor is on. If the white fan is turning and the auger is not you will need to replace the auger pin.

If problem cannot be resolved please call customer service.

CONTROLLER DISPLAYS SENSOR ERROR

- Turn the power off and unplug the grill.
- Check to make sure the sensor inside of the grill is connected properly to the electronic board under the hopper.
- Call customer service for a replacement sensor.

PROBE TEMPERATURES DO NOT DISPLAY

- Make sure the meat thermometer is connected properly to the controller.
- Call customer service for a replacement meat thermometer.

CONTROLLER DISPLAYS OVER TEMP.

- This happens if the internal temperature of the grill exceeds a normal operating temperature. The grill must be cleaned before attempting to start the grill.

LIMITED WARRANTY

Camp Chef No-Hassle Warranty

Here at Camp Chef we stand by our products and take pride in our customer service. Because of this, your new Camp Chef product comes with a No-Hassle Warranty. We warrant that our products will be free from defects in all materials and workmanship (excluding paint and finish) for the Warranty Coverage Period described below. This warranty is extended only to the original consumer purchaser. During the Warranty Coverage Period, we will (at our sole option) replace any defective part or product covered by this warranty when provided with proof of purchase. The replacement will be without charge.

Required Maintenance:

Clean your product after each use to maintain its finish and prolong its lifespan. Wipe away all grease and ashes. Keep metal products free of moisture, salts, acids and harsh fluctuations in temperature. Product paint and other finishes are not covered by this warranty. The exterior finish of the product will wear down over time.

Coverage Details:

Warranty does not cover normal wear of parts or damage caused by misuse, abuse, overheating and alteration. No alterations are covered in this warranty. Camp Chef is not responsible for any loss due to neglectful operation. Furthermore, this warranty does not cover products damaged or rendered defective due to accident, misuse, abuse, modification, water damage, neglect, improper handling or storage, improper maintenance or installation, incorporation of third party components or exposure to weather, natural disasters such as earthquakes, hurricanes, tornadoes, floods, lightning, fires, or failure to follow instructions for use.

ANY WARRANTIES IMPLIED BY LAW SHALL IN NO EVENT EXTEND BEYOND DURATION OF THIS EXPRESS WARRANTY. Some States do not allow limitations on how long an implied warranty lasts, so the above limitation may not apply to you. REPAIR OR REPLACEMENT AS PROVIDED HEREIN IS YOUR EXCLUSIVE REMEDY FOR ANY DEFECTIVE PRODUCT. IN NO EVENT SHALL WE BE LIABLE FOR ANY SPECIAL, INCIDENTAL OR CONSEQUENTIAL DAMAGES OF ANY KIND ARISING OUT OF THE PURCHASE OR USE OF THIS PRODUCT, WHETHER BASED UPON CONTRACT, TORT, STATUTE OR OTHERWISE. Some states do not allow the exclusion or limitation of incidental or consequential damages, so the above limitation or exclusion may not apply to you. This warranty gives you specific legal rights, and you may also have other rights which vary from State to State.

Please keep all original sales receipts from the authorized dealer. Proof of purchase is required to obtain warranty services. Any parts or products returned without written authorization will be discarded without notice. To obtain warranty services submit a warranty request at www.campchef.com/warranty-information, email: warranty@campchef.com or call (800) 650-2433. Our English speaking Product Specialists are happy to help, Monday-Friday 7 AM – 5 PM MST.

Warranty applies to the United States and Canada.

WARRANTY COVERAGE PERIODS

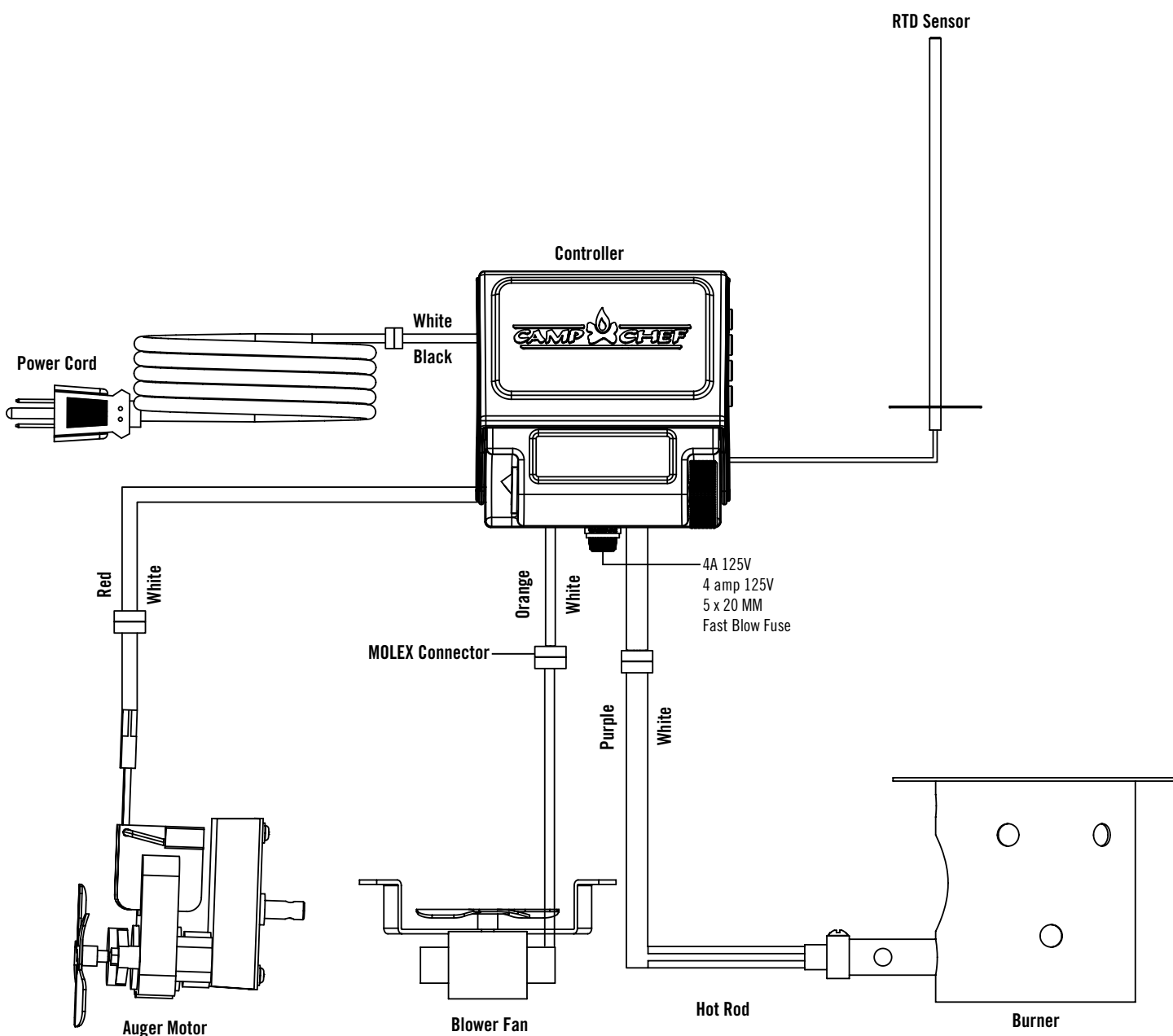
Pellet Grills	3 years from purchase date
Stoves	1 year from purchase date
Fire Pits	1 year from purchase date
Water Heaters	1 year from purchase date
Movie Screens	1 year from purchase date
All other items & accessories	90 days from purchase date

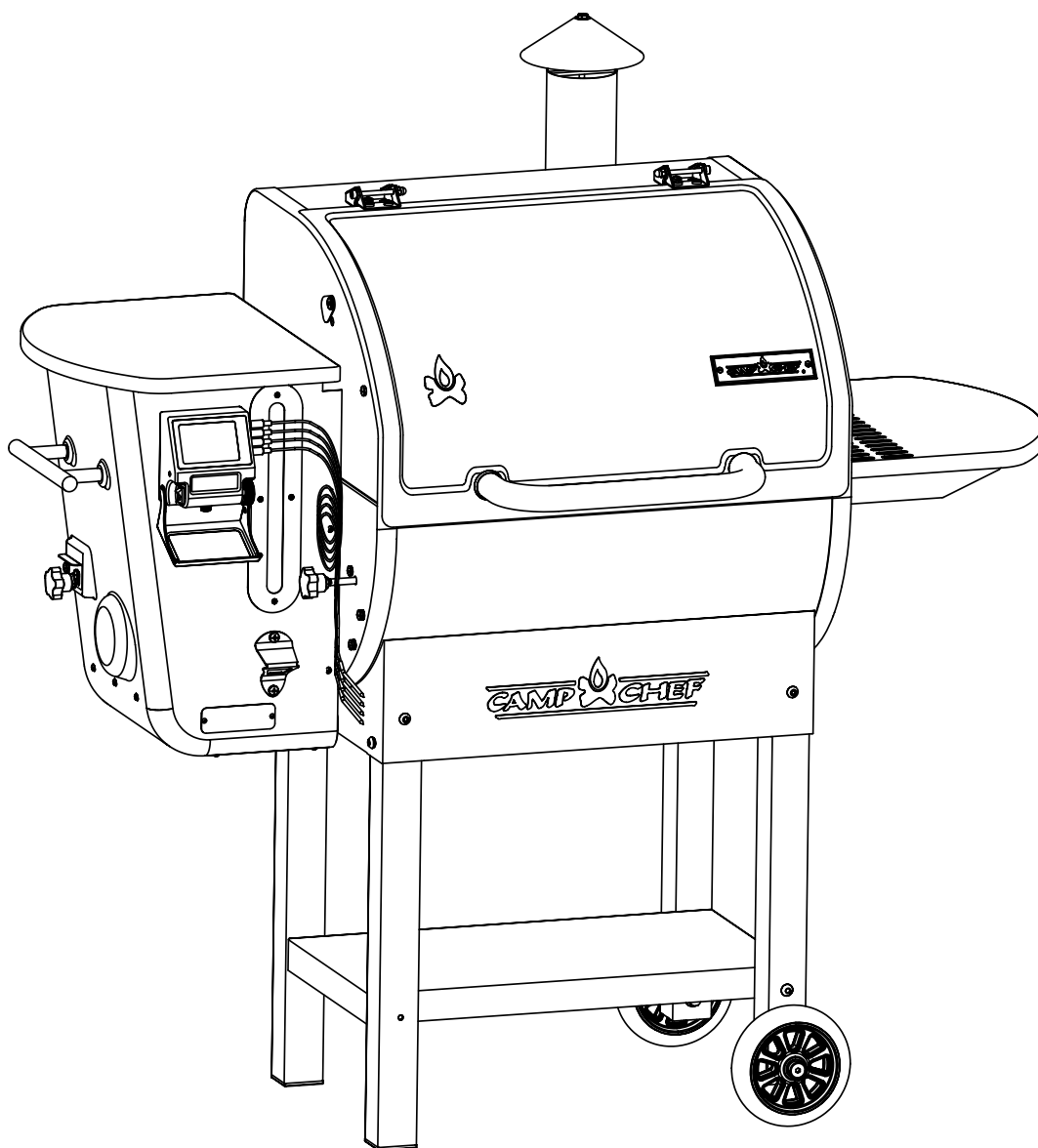
⚠ CAUTION

This device complies with Part 15 of the FCC rules. Operation is subject to the following two conditions: 1 this device may not cause harmful interference, and 2 this device must accept any interference received, including interference that may cause undesired operation.

Note: This equipment has been tested and found to comply with the limits for a Class B digital device, pursuant to part 15 of the FCC Rules. These limits are designed to provide reasonable protection against harmful interference in a residential installation. This equipment generates, uses and can radiate radio frequency energy and, if not installed and used in accordance with the instructions, may cause harmful interference to radio communications. However, there is no guarantee that interference will not occur in a particular installation. If this equipment does cause harmful interference to radio or television reception, which can be determined by turning the equipment off and on, the user is encouraged to try to correct the interference by one or more of the following measures:

- Reorient or relocate the receiving antenna.
- Increase the separation between the equipment and receiver.
- Connect the equipment into an outlet on a circuit different from that to which the receiver is connected.
- Consult the dealer or an experienced radio/TV technician for help.





BARBECUE À GRANULES ET FUMOIR
NOTICE D'UTILISATION ET AVERTISSEMENTS
NUMÉRO DE MODÈLE: PG24CL



⚠ AVERTISSEMENT

DESTINÉ À UN USAGE EN PLEIN AIR UNIQUEMENT

⚠ AVERTISSEMENT

Le non-respect à la lettre des renseignements figurant dans la présente notice peut entraîner un incendie ou une explosion qui pourrait occasionner des dommages matériels, des blessures corporelles ou la mort.

⚠ AVERTISSEMENT

- À l'attention de l'installateur ou de la personne chargée d'assembler cet appareil : conserver la présente notice d'utilisation avec l'appareil pour un usage ultérieur.
- À l'attention du consommateur : conserver la présente notice d'utilisation avec l'appareil pour un usage ultérieur.

La présente notice d'utilisation contient des informations importantes, nécessaires au montage correct et à l'utilisation sécuritaire de ce produit. Lire et respecter l'ensemble des avertissements et consignes avant le montage et l'utilisation de cet appareil. Ne pas jeter la présente notice d'utilisation.

⚠ ATTENTION

Utiliser uniquement les granules de bois indiqués par le fabricant. Ne pas utiliser de granules de bois dont les spécifications indiquent la présence d'additifs. Utiliser uniquement les granules Camp Chef de première qualité répondant aux spécifications suivantes. 8 000 à 8 300 BTU/LB. Taux de cendres de 0,75 à 0,85 % (8,000-8,300 BTU/LB 0.75-0.85% ash content).

⚠ ATTENTION

Contactez les autorités locales du bâtiment ou de la protection incendie pour connaître les restrictions et les exigences d'inspection en vigueur dans votre région.
LE NON-RESPECT DES DÉGAGEMENTS OBLIGATOIRES (ESPACES VIDES) PAR RAPPORT AUX MATÉRIAUX COMBUSTIBLES EST UNE DES PRINCIPALES CAUSES D'INCENDIE. IL EST EXTRÊMEMENT IMPORTANT D'INSTALLER CE PRODUIT DANS LE STRICT RESPECT DE CES CONSIGNES.

⚠ AVERTISSEMENT

1. Ne jamais faire fonctionner cet appareil sans surveillance.
2. Ne jamais utiliser cet appareil à moins de 3 m (10 pi) d'une bouteille de GPL entreposée.
3. Ne jamais utiliser le présent appareil à moins de 7,5 m (25 pi) de tout liquide inflammable.
4. En cas d'incendie, rester à bonne distance de l'appareil et appeler immédiatement le service des incendies. Ne pas essayer d'éteindre un feu d'huile ou de graisse au moyen d'eau.

Le non-respect de ces consignes peut entraîner des dommages matériels, des blessures corporelles ou la mort pouvant résulter d'un incendie, d'une explosion ou d'un danger de brûlure.

⚠ ATTENTION

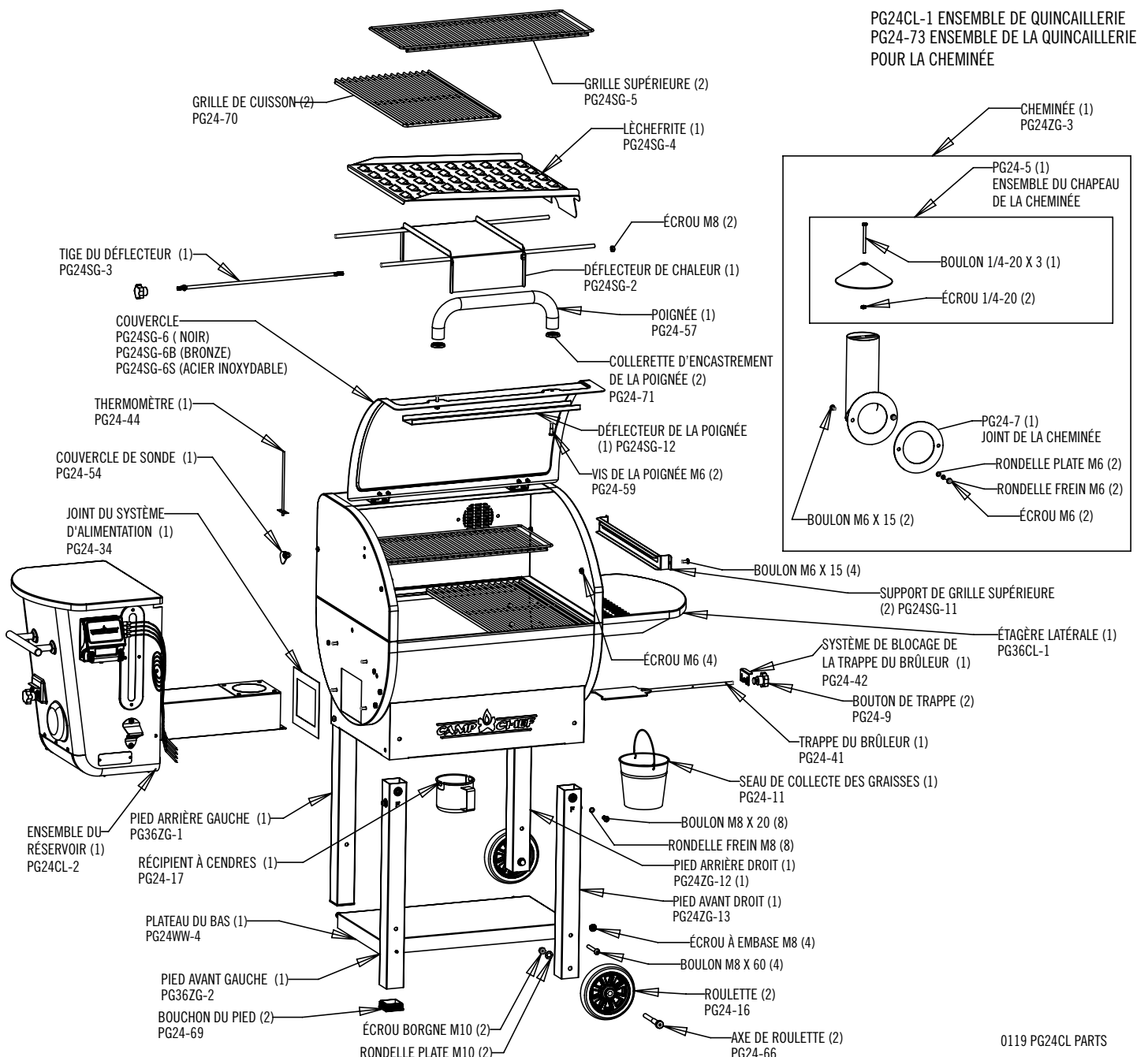
Entreposer en permanence les granules de bois à l'abri des appareils produisant de la chaleur et d'autres récipients alimentaires. Les granules doivent être entreposés dans un endroit sec.

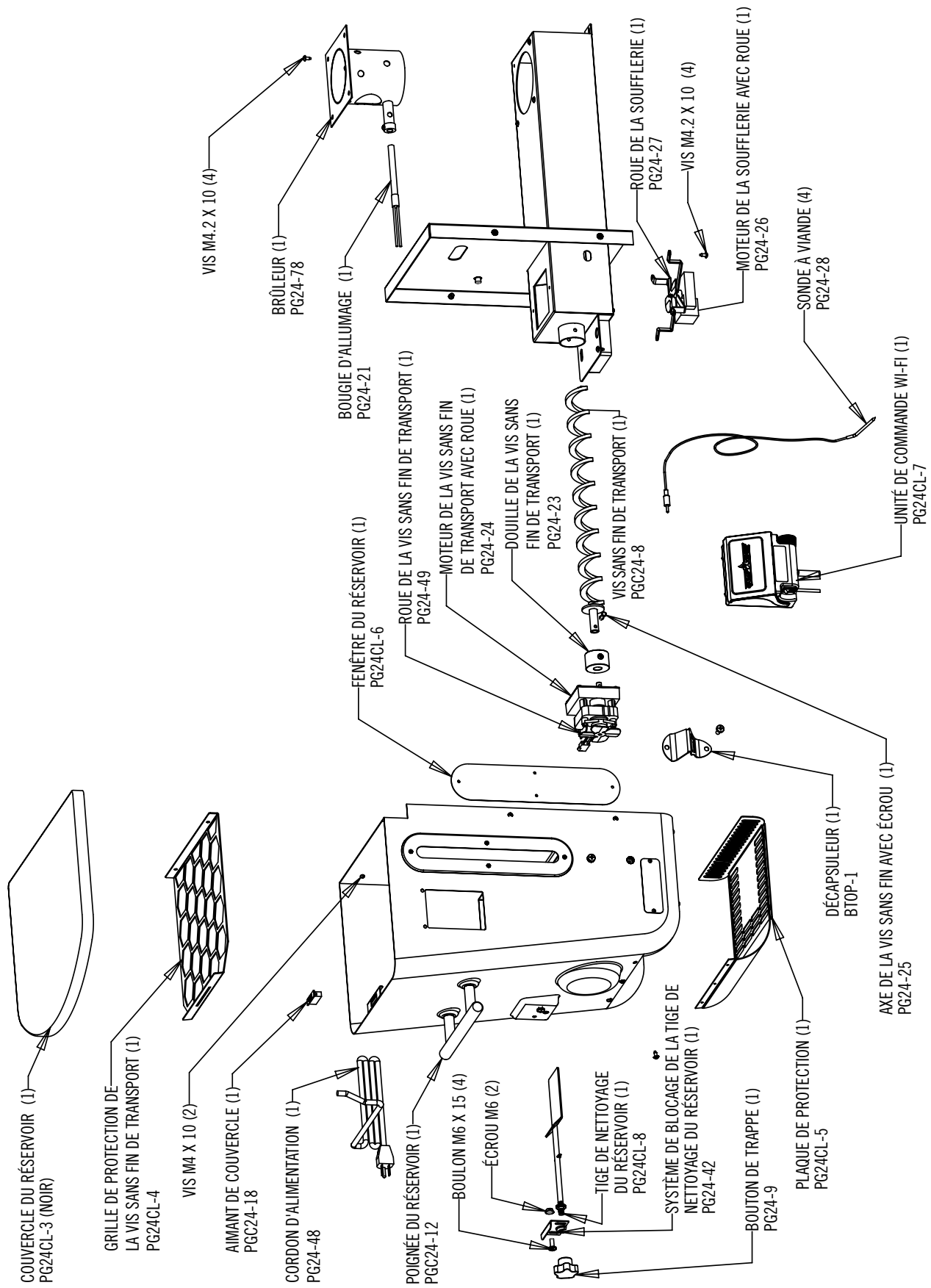
⚠ AVERTISSEMENT

Une utilisation normale créera une accumulation de cendres, de graisse et de crésote dans le barbecue. Le barbecue doit être nettoyé à fond toutes les 50 heures d'utilisation ou si une accumulation de graisse ou de crésote est observée à l'intérieur du barbecue. Nettoyer le barbecue en enlevant toutes les pièces internes et enlever soigneusement toutes les graisses et la crésote de toutes les surfaces internes, y compris le tuyau d'évacuation des graisses et enlever les débris du barbecue. La lèchefrite doit toujours être nettoyée avant de mettre le barbecue en position haute ou de cuire en mode flamme directe. Une accumulation excessive de graisse et de crésote peut provoquer un feu de graisse. En cas d'incendie provoqué par la graisse, éteindre l'appareil au niveau de l'interrupteur principal et fermer le couvercle. Laisser le couvercle fermé jusqu'à l'extinction totale du feu. En cas d'incendie incontrôlable, appeler immédiatement le service local des incendies. Ne jamais verser de l'eau sur un feu de graisse.

AVERTISSEMENT CONCERNANT LE MONOXYDE DE CARBONE

Respecter les présentes directives pour éviter de vous faire intoxiquer et d'intoxiquer vos proches par ce gaz incolore et inodore. Vous devez connaître les symptômes d'une intoxication au monoxyde de carbone : il s'agit de maux de tête, de vertiges, de faiblesses, de nausées, de vomissements, de somnolence et de confusion. Le monoxyde de carbone réduit la capacité sanguine pour transporter l'oxygène. Un faible taux d'oxygène dans le sang peut entraîner des pertes de connaissance, voire la mort. Consulter un médecin si vous ou autrui développez des symptômes du rhume ou s'apparentant à la grippe en cuisinant à proximité de cet appareil. Une intoxication au monoxyde de carbone, souvent confondue par erreur avec un rhume ou la grippe, est souvent détectée trop tard. La consommation d'alcool ou de drogues renforce les effets de l'intoxication au monoxyde de carbone. Le monoxyde de carbone est particulièrement toxique pour les femmes enceintes et leur fœtus, les jeunes enfants, les personnes âgées, les fumeurs et les personnes souffrant de troubles sanguins ou circulatoires, comme l'anémie ou des maladies cardiaques.





1. NE PAS laisser l'appareil sans surveillance lorsqu'il fonctionne. L'utilisateur est tenu de rester à proximité du produit et de garder celui-ci dans son champ de vision direct pendant toute la durée de son fonctionnement.
2. Tenir les enfants et animaux domestiques à l'écart du brûleur en permanence.
3. La consommation d'alcool ou de médicaments obtenus ou non sur ordonnance risque de diminuer votre faculté de monter correctement l'appareil ou de l'utiliser en toute sécurité.
4. Destiné à un usage EN PLEIN AIR uniquement. NE PAS utiliser à l'intérieur d'un immeuble, d'un garage ou de tout autre endroit renfermé. NE PAS utiliser dans un véhicule récréatif ou sur un bateau. NE JAMAIS utiliser cet appareil comme système de chauffage.
5. Ne faire fonctionner cet appareil sous AUCUNE surface surplombante. Conserver une distance minimale de 0,9 m (36 pouces) entre les quatre côtés de l'appareil et TOUTE construction. N'entreposer aucun matériau combustible et aucun liquide inflammable, y compris du bois, des plantes et herbes sèches, des buissons, du papier et des toiles à proximité de l'appareil.
6. Ce produit n'est pas destiné à un usage commercial.
7. Toujours laisser refroidir l'appareil avant de le recouvrir de sa housse d'extérieur.
8. Toujours recouvrir l'appareil de sa housse d'extérieur (lorsqu'elle est fournie) lorsqu'il ne sert pas.
9. Toujours débrancher le barbecue avant de le recouvrir de la housse d'extérieur.
10. Utiliser uniquement sur une surface stable et non combustible comme les briques, le béton ou une surface en terre. Ne pas utiliser cet appareil sur une surface qui peut brûler ou fondre comme du bois, de l'asphalte, du vinyle ou du plastique.
11. S'assurer que la zone de nettoyage du brûleur est fermée avant d'allumer le barbecue.
12. S'assurer que le seau de collecte des graisses est monté avant d'allumer le barbecue.
13. En cas d'incendie, débrancher le barbecue, fermer le couvercle et le laisser fermé jusqu'à extinction du feu. Lorsque le barbecue aura refroidi, suivre les consignes de nettoyage avant la prochaine utilisation.
14. Utiliser uniquement des granules de feuillu à usage alimentaire qui sont fabriqués pour être utilisés dans des barbecues à granules. L'utilisation de granules de conifères ou de bois de chauffage annulera votre garantie.
15. Ne pas laisser le réservoir à granules se vider complètement. Les granules peuvent être ajoutés à tout moment. Le réservoir peut contenir environ 10 kg de granules. La consommation de granules variera considérablement en fonction de la température ambiante ainsi que de la température de cuisson.
16. Il vous est recommandé de ne pas entreposer de granules dans le réservoir pour des périodes prolongées ; ils peuvent en effet absorber l'humidité de l'air et obstruer la vis sans fin de transport.
17. Garder le couvercle fermé pendant le fonctionnement du barbecue. Le barbecue est conçu pour une cuisson à couvercle fermé.
18. Il convient de noter que la température de cuisson affichée sur l'écran de l'unité de commande est mesurée près de la surface de cuisson sur le côté gauche du barbecue. La véritable température à l'intérieur de la chambre de cuisson variera légèrement tout au long de la cuisson.
19. Ne pas utiliser d'accessoires dont l'utilisation n'est pas indiquée avec cet appareil.
20. Ne jamais employer d'essence, de carburant de lanterne de type essence, de kérosène, de produit d'allumage pour charbon ou de liquides semblables pour démarrer ou raviver un feu dans cet appareil. Garder tous ces liquides à bonne distance de l'appareil pendant qu'il est en service.
21. Les cendres doivent être déposées dans un conteneur métallique possédant un couvercle hermétique. Le conteneur fermé qui contient les cendres doit être placé sur une surface non combustible ou sur le sol, très loin de tous les matériaux combustibles jusqu'à l'élimination définitive des cendres. Les cendres qui sont destinées à être enterrées dans le sol ou dispersées autrement sur place doivent être conservées dans le conteneur jusqu'à ce qu'elles soient complètement refroidies.
22. La créosote – Formation et nécessité de la retirer. Lors de leur lente combustion, les granules de bois produisent du goudron et d'autres vapeurs organiques qui, combinés à l'humidité rejetée, forment la créosote. Les vapeurs de créosote se condensent dans les tuyaux d'évacuation d'un four relativement froid et dans la hotte de ventilation d'un foyer à combustion lente. Il en résulte une accumulation de résidus de créosote dans les tuyaux d'évacuation et la hotte de ventilation. Une fois mise à feu, cette créosote produit un feu extrêmement chaud. Le tuyau d'évacuation des graisses doit être inspecté au moins toutes les 50 heures pour déterminer si une accumulation de graisse et/ou de créosote s'est produite. Si tel est le cas, cette accumulation doit être enlevée pour réduire le risque d'incendie.

⚠ DANGER

Ne pas effectuer de travaux sur le barbecue lorsque celui-ci est branché. L'électrocution qui risquerait de se produire peut entraîner le décès ou des blessures graves.

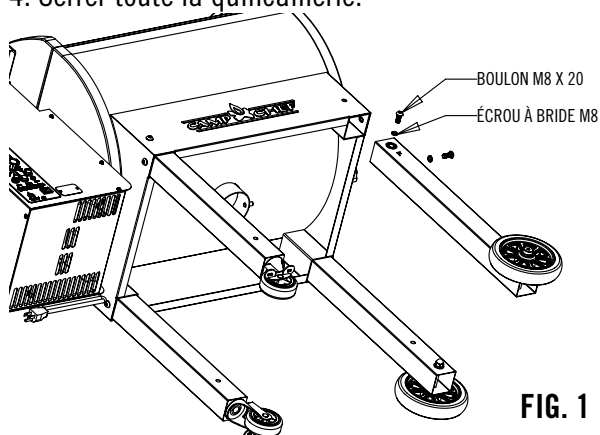
CONSIGNES DE MONTAGE

Retirer toutes les pièces détachées se trouvant à l'intérieur du barbecue et du réservoir. Déposer une couverture ou un morceau de carton par terre pour protéger le barbecue.

MONTAGE DES PIEDS

Avec l'aide d'une autre personne, mettre le barbecue à l'envers sur la couverture ou le carton. Les couvercles du barbecue et du réservoir s'ouvriront lors de cette opération. Veiller à ne pas les abîmer. Le barbecue risque également de rouler sur son couvercle. Une personne devrait donc le maintenir en place pendant que l'autre personne monte les pieds fixes et les roues.

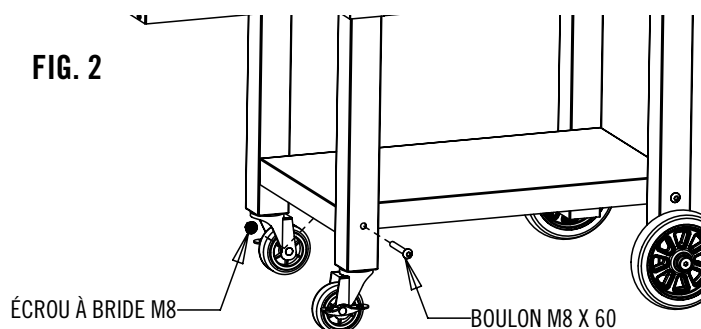
1. Coucher le barbecue sur le côté arrière.
2. Monter chacun des 4 pieds comme indiqué à la Fig. 1.
 1. S'assurer que les pieds équipés de roulettes sont attachés du côté droit du barbecue, les roulettes se trouvant vers l'extérieur. Remarque : les pieds avant portent la lettre F et les pieds arrière, la lettre B.
3. Remettre le barbecue à l'endroit.
4. Serrer toute la quincaillerie.



MONTAGE DU PLATEAU DU BAS

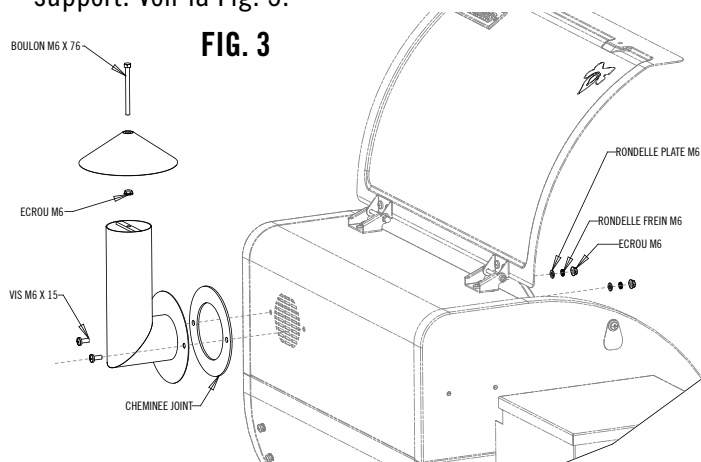
1. Monter le plateau du bas, comme indiqué à la Fig. 2 en attachant la quincaillerie aux quatre coins.
2. Serrer la quincaillerie.

FIG. 2



MONTAGE DE LA CHEMINÉE ET DE SON CHAPEAU

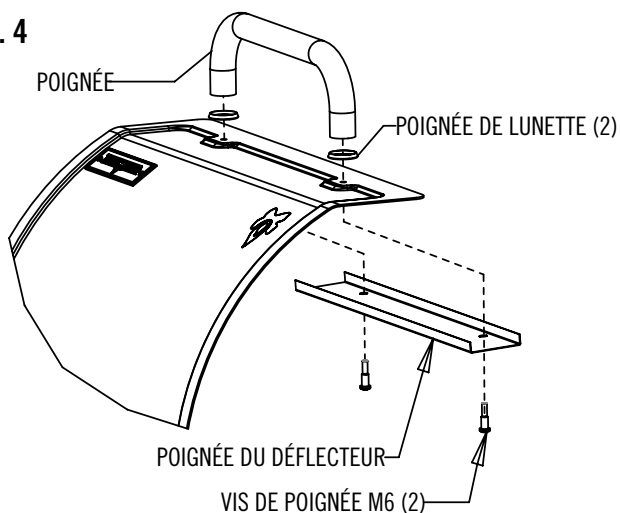
1. Monter la cheminée sur le barbecue comme indiqué à la Fig. 3. S'assurer que le joint de la cheminée est placé entre le barbecue et la cheminée.
2. Serrer toute la quincaillerie.
3. Placer le boulon M6 x 76 à travers le chapeau de la cheminée et l'attacher au moyen d'un (1) écrou M6. Visser le second écrou sur le boulon en laissant environ 3,8 cm à partir de l'extrémité supérieure du chapeau. Visser l'ensemble du chapeau vers le bas dans le support de la cheminée jusqu'à ce que l'écrou du bas touche le support. Voir la Fig. 3.



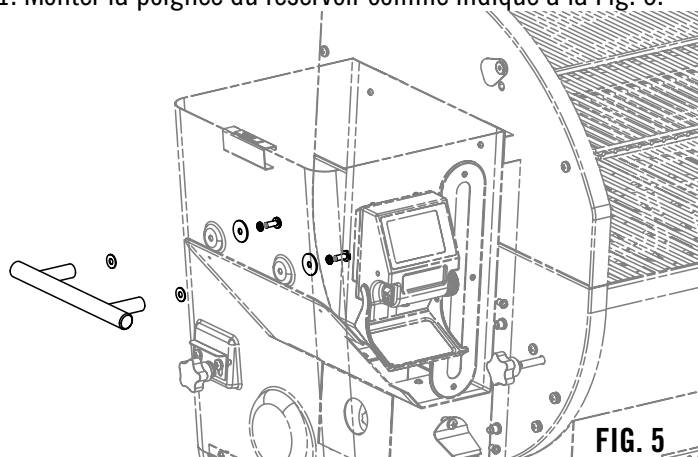
4. Il est possible d'ajuster la hauteur du chapeau de la cheminée en fonction de l'été et de l'hiver. L'écart doit être d'environ 3,8 cm en été, et d'environ 1,3 cm en hiver.
5. Serrer toute la quincaillerie.

MONTAGE DE LA POIGNÉE

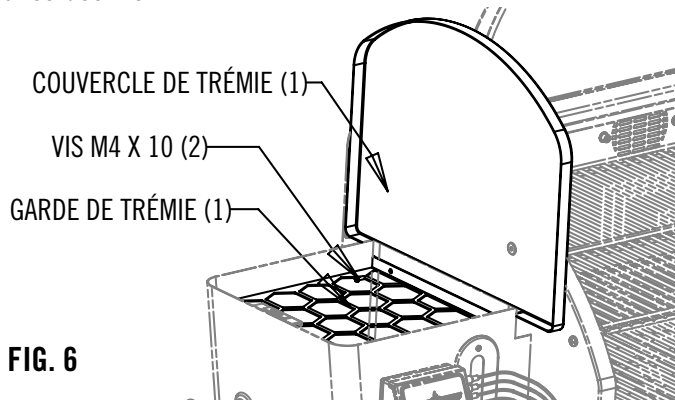
1. Monter la poignée comme indiqué à la Fig. 4.
2. Serrer toute la quincaillerie.

FIG. 4**MONTAGE DE LA POIGNÉE DU RÉSERVOIR**

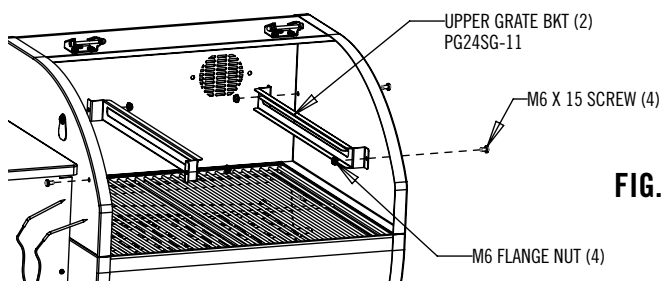
1. Monter la poignée du réservoir comme indiqué à la Fig. 5.

**MONTAGE DE LA GRILLE DE SÉCURITÉ ET DU COUVERCLE DU RÉSERVOIR**

1. Monter la grille et le couvercle comme indiqué à la Fig. 6. La languette du réservoir doit être insérée dans la fente de la grille. Attacher la grille et le couvercle au réservoir avec des vis.

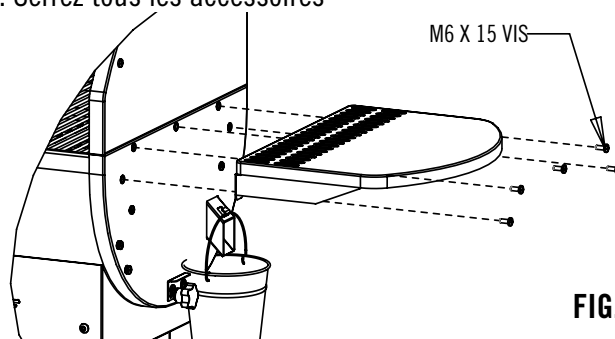
**FIG. 6****MONTAGE DU SUPPORT D'ÉTAGÈRE**

1. Monter le support comme indiqué à la Fig. 7.
2. Serrer toute la quincaillerie.

**FIG. 7****INSTALLER L'ÉTAGÈRE**

(Facultatif-Ne pas installer si vous installez une boîte à garniture)

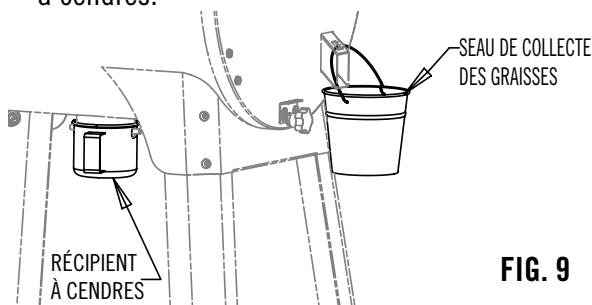
1. Installer l'étagère comme illustré à la Fig. 8.
2. Serrez tous les accessoires

**FIG. 8****SEAU DE COLLECTE DES GRAISSES**

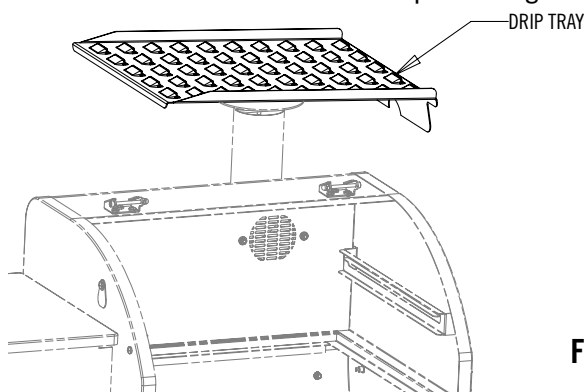
1. Suspendre le seau de collecte des graisses à son conduit d'évacuation comme indiqué à la Fig. 9.

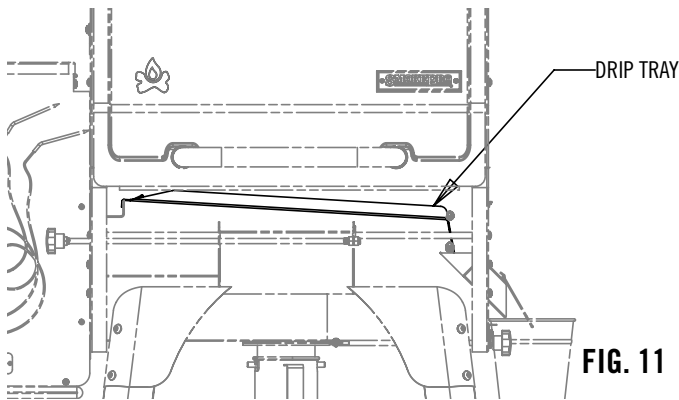
RÉCIPIENT À CENDRES

1. Monter le récipient à cendres comme indiqué à la Fig. 9. Ne jamais utiliser le barbecue sans y monter le récipient à cendres.

**FIG. 9****MONTAGE DE LA LÈCHEFRITE**

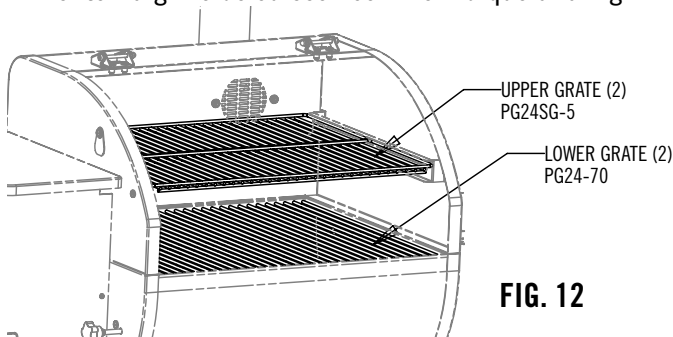
1. Monter la lèchefrite comme indiqué aux Fig. 10 et 11.

**FIG. 10**



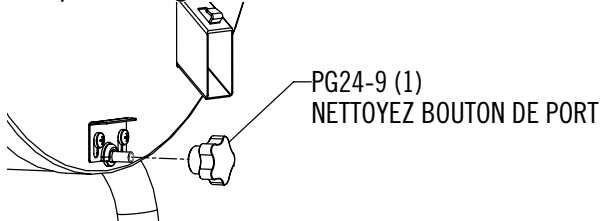
GRILLE DE CONSERVATION AU CHAUD ET GRILLE DE CUISSON

1. Monter la grille de cuisson comme indiqué à la Fig. 12.



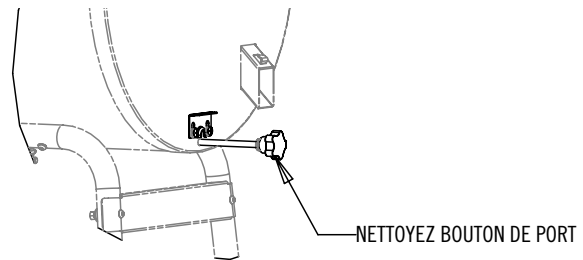
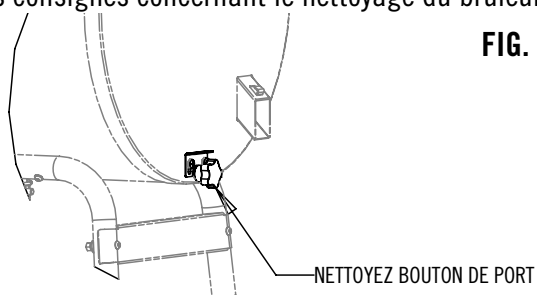
INSTRUCTIONS DE MONTAGE DU BOUTON DE NETTOYAGE

Serrer à la main le bouton de nettoyage du brûleur comme indiqué à la Fig. 13.



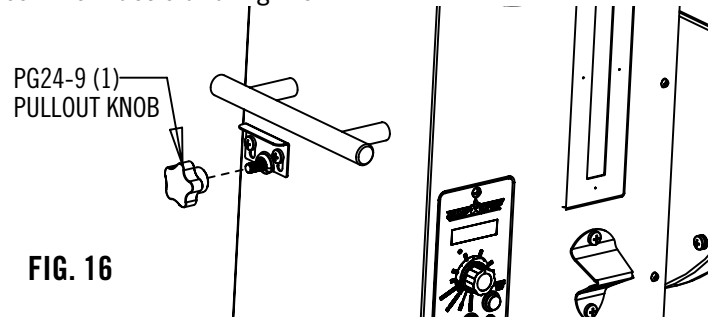
BOUTON DE LA TIGE DE LA ZONE DE NETTOYAGE

1. Le bouton de la tige de la zone de nettoyage doit être enfoncé lorsque le barbecue est allumé. S'assurer que le système de blocage de la tige est tiré vers le bas et bloque le bouton afin d'empêcher l'ouverture de la zone de nettoyage par inadvertance. Voir Fig. 14
2. Soulever le système de blocage de la tige et tirer le bouton de la tige de nettoyage pour vider les cendres dans le récipient prévu à cet effet. Voir la Fig. 15.
3. Voir les consignes concernant le nettoyage du brûleur.



MONTAGE DU BOUTON DE NETTOYAGE DU RÉSERVOIR

Attacher le bouton de nettoyage du réservoir à la main comme illustré à la Fig. 16.

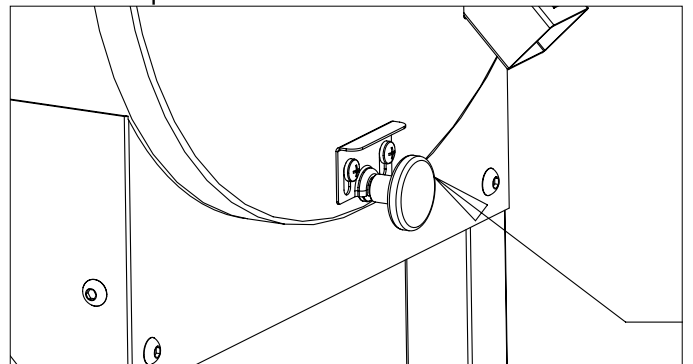


NETTOYAGE DU BRÛLEUR

Avant chaque utilisation, il convient de nettoyer le brûleur en soulevant le système de blocage de la tige de la zone de nettoyage et en tirant le bouton de celle-ci du côté droit du barbecue pour ouvrir la zone de nettoyage du brûleur. Les cendres provenant de l'utilisation précédente tomberont ainsi dans le récipient prévu à cet effet qui se trouve en dessous du barbecue. Il convient d'enlever ensuite le récipient, de le vider et de le remonter avant chaque utilisation.

⚠ DANGER

Ne jamais faire fonctionner le barbecue à granules sans que le récipient à cendres ne soit monté. S'assurer que le trou de la zone de nettoyage du brûleur est fermé et bloqué avant d'allumer le barbecue.



Ne jamais ouvrir le trou de la zone de nettoyage du brûleur lorsque le barbecue est chaud.

Après le nettoyage du brûleur, s'assurer de refermer la zone de nettoyage de celui-ci en repoussant le bouton de la tige de la zone nettoyage du côté droit du barbecue. S'assurer de relever le système de blocage de la tige de la zone de nettoyage et de bien enfoncer le bouton de la tige à fond et de le bloquer en place à l'aide du système de blocage. Après 50 heures d'utilisation, retirer les grilles, la lèchefrite et le déflecteur de chaleur du barbecue pour nettoyer celui-ci à l'intérieur. Lorsque vous remarquez une grande quantité de cendres volantes à l'intérieur du barbecue, il convient alors de les aspirer à l'extérieur.

REPLISSAGE DE LA CAVITÉ DE LA VIS SANS FIN DE TRANSPORT

AVERTISSEMENT : UTILISER UNIQUEMENT LE PARAMÈTRE FEED LORSQUE LE RÉSERVOIR EST COMPLÈTEMENT VIDE. CE PARAMÈTRE N'EST PAS DESTINÉ À ÊTRE SÉLECTIONNÉ PENDANT LE FONCTIONNEMENT NORMAL DU BARBECUE À GRANULES.

La première fois que vous utilisez votre barbecue ou chaque fois que le réservoir à granules est vide, vous devrez remplir la cavité de la vis sans fin de transport. Ceci signifie simplement que vous devez remplir la cavité de la vis sans fin de granules jusqu'à ce que ceux-ci atteignent le brûleur. Pour ce faire, placer le bouton de commande sur la position FEED depuis le menu principal. Vous actionnerez ainsi la vis sans fin et l'unité de commande affichera « FEED ». La vis sans fin continuera de tourner pendant 7 minutes maximum. Il s'agit d'un temps largement suffisant pour permettre aux granules d'atteindre le brûleur. Il est plus facile d'ouvrir la zone de nettoyage du brûleur en tirant son bouton vers la droite du barbecue. Lorsque vous entendez les granules tomber dans le récipient à cendres, fermer le trou de la zone de nettoyage en repoussant le bouton d'ouverture de celle-ci du côté droit du barbecue et sélectionner ensuite la température de cuisson. (Ne jamais faire fonctionner le barbecue à granules sans monter le récipient à cendres). Toujours s'assurer que le trou de la zone de nettoyage est fermé en enfonçant son bouton situé à droite du barbecue avant de sélectionner l'un quelconque des paramètres de cuisson. Ne jamais ouvrir le trou de la zone de nettoyage du brûleur lorsque le barbecue est chaud.

APP DE DÉMARRAGE RAPIDE



1. Télécharger l'app Camp Chef depuis l'App Store d'Apple

ou le Play Store Android.

2. Allumer l'unité de commande du barbecue avec l'interrupteur principal.
3. Ouvrir l'app Camp Chef et suivre les instructions de montage pour relier le barbecue à votre réseau wi-fi 2.4 GHz.

Attention – NE PAS laisser l'appareil sans surveillance lorsqu'il fonctionne. L'utilisateur est tenu de rester à proximité du produit et de garder celui-ci dans son champ de vision direct pendant toute la durée de son fonctionnement.

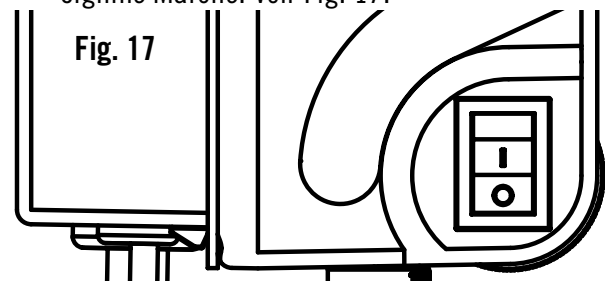
Remarque – Certaines fonctions sont uniquement disponibles depuis l'unité de commande. En essayant de démarrer le barbecue depuis l'APP, il vous sera demandé de confirmer l'allumage depuis l'unité de commande. Les paramètres de température et de fumée peuvent être ajustés depuis l'app. L'extinction peut également se faire à partir de l'app.

Pour tout renseignement complémentaire, visiter <https://www.campchef.com/app>.

EXPLICATIONS SUR L'UNITÉ DE COMMANDE INTERRUPTEUR

Celui-ci est utilisé pour raccorder l'alimentation principale. Celui-ci est utilisé pour raccorder l'alimentation principale au barbecue à granules. « 0 » signifie Arrêt.

« - » signifie Marche. Voir Fig. 17.



FONCTIONS DE L'UNITÉ DE COMMANDE

Faire tourner le bouton pour faire défiler les menus, ajuster les paramètres de température ou de fumaison. Enfoncer le bouton pour confirmer la sélection.

SHUTDOWN

Ce paramètre doit être utilisé après chaque utilisation. Sélectionner SHUTDOWN à partir du menu principal. Le ventilateur restera allumé pendant 20 minutes maximum. Ce paramètre permet de brûler les derniers granules du brûleur et de refroidir le barbecue. Ne pas éteindre l'interrupteur principal lorsque le barbecue est chaud.

FEED - Sélectionner FEED à partir du menu principal. Ce paramètre est utilisé pour alimenter les granules vers le

brûleur. Il sera utilisé la première fois que vous utilisez le barbecue pour remplir la cavité de la vis sans fin de transport et chaque fois que vous laissez se vider le réservoir à granules par inadvertance. Voir les consignes concernant le remplissage de la cavité de la vis sans fin de transport.

SET TEMP LOW SMOKE - Sélectionner SET TEMP à partir du menu principal. Placer le bouton sur LOW SMOKE, et enfoncer ensuite le bouton pour confirmer. Ce paramètre est utilisé pour fumer des aliments à une température moyenne de 71°C (160°F). Il produit beaucoup de fumée. SET TEMP HIGH SMOKE – Sélectionner SET TEMP à partir du menu principal. Placer le bouton sur HIGH SMOKE, et enfoncer ensuite le bouton pour confirmer. Ce paramètre est utilisé pour fumer des aliments à une température moyenne de 104°C (220°F). Il produit beaucoup de fumée. SET TEMP 160 °F à 450 °F – Sélectionner SET TEMP à partir du menu principal. Placer le bouton sur la température souhaitée, et enfoncer ensuite le bouton pour confirmer.

SET TEMP HIGH - Sélectionner SET TEMP à partir du menu principal. Placer le bouton sur HIGH, et enfoncer ensuite le bouton pour confirmer. Ce paramètre permet d'atteindre des températures pouvant atteindre 260°C (500°F) suivant la température ambiante.

SET SMOKE - Le paramètre SET SMOKE est disponible pour les températures entre 71 °C (160 °F) et 177 °C (350 °F). Sélectionner SET SMOKE à partir du menu principal. Placer le bouton sur le paramètre souhaité SMOKE SETTING, et enfoncer ensuite le bouton pour confirmer. Ce paramètre peut être ajusté sur les valeurs 1 à 10. Un paramètre SMOKE SETTING de 1 produira moins de fumée et conservera une température plus constante. Au fur et à mesure que le paramètre SMOKE SETTING sera augmenté de valeur, plus de fumée sera produite. Plus le paramètre SMOKE SETTING sera haut, plus les fluctuations de température seront importantes.

CONSIGNES DE PRÉPARATION À L'EMPLOI

Nous vous suggérons de faire fonctionner le barbecue à 177°C (350°F) à vide pendant une demi-heure avant de cuisiner avec pour la première fois. Ceci permettra de brûler les huiles de fabrication et de durcir la peinture. S'assurer de suivre les consignes de remplissage de la cavité de la vis sans fin de transport avant de suivre les consignes de préparation à l'emploi.

⚠ AVERTISSEMENT

Toujours allumer le barbecue avec le couvercle ouvert. Le couvercle doit être fermé après le cycle d'allumage.

CUISSON

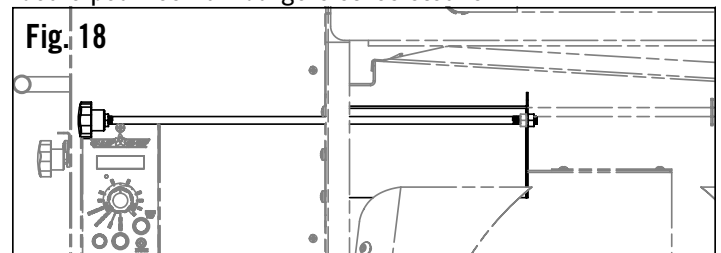
Lorsque la cavité de la vis sans fin est bien remplie, vous pouvez commencer à cuisiner en sélectionnant SET TEMP depuis le menu principal et en sélectionnant la température souhaitée. Au moment de la confirmation de la température choisie, le barbecue se placera en mode d'allumage. L'écran de l'unité de commande affichera « START » pendant le cycle d'allumage, et ensuite la température au bout de 6 minutes.

⚠ AVERTISSEMENT

Ne pas surchauffer le barbecue en plaçant trop de granules dans le brûleur avant la mise en marche. En cas d'extinction d'une flamme par inadvertance, ne jamais remettre le barbecue en marche sans nettoyer le brûleur au préalable. Une mauvaise utilisation peut provoquer un incendie incontrôlable.

MODE FLAMME DIRECTE

Tirer le bouton de la tige du déflecteur à fond pour autoriser la chaleur directe comme indiqué à la Fig. 18. Cuisson idéale pour les hamburgers et les steaks.



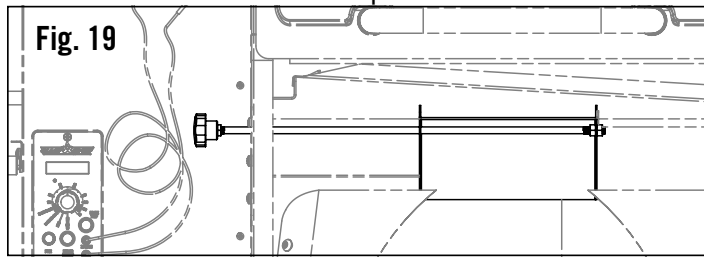
⚠ AVERTISSEMENT

Toujours nettoyer l'excès de graisse et de jus de cuisson avant toute cuisson en mode flamme directe. Une lèchefrite mal nettoyée peut provoquer de gros retours de flamme ou des feux de graisse. En cas d'incendie provoqué par la graisse, éteindre l'appareil au niveau de l'interrupteur principal et fermer le couvercle. Laisser le couvercle fermé jusqu'à l'extinction totale du feu. En cas d'incendie incontrôlable, appeler immédiatement le service local des incendies. Ne jamais verser d'eau sur le feu.

MODE FLAMME INDIRECTE

Enfoncer le bouton de la tige du déflecteur à fond pour autoriser la chaleur indirecte, comme indiqué à la Fig.19.

Il s'agit d'un réglage idéal pour la volaille, à savoir les fumaisons lentes à basses températures.



SHUTDOWN

Lorsque la cuisson est terminée, sélectionner SHUTDOWN depuis le menu principal. L'écran de l'unité de commande affichera SHUTDOWN. Lorsque ce paramètre est choisi, le ventilateur continuera de fonctionner pendant 20 minutes pour finir de brûler les granules qui restent dans le brûleur et refroidir le barbecue. L'écran de l'unité de commande s'éteindra au bout de 20 minutes. À ce stade, l'interrupteur principal devrait être placé en position Arrêt. Avant de réutiliser le barbecue, l'interrupteur doit être éteint puis rallumé.

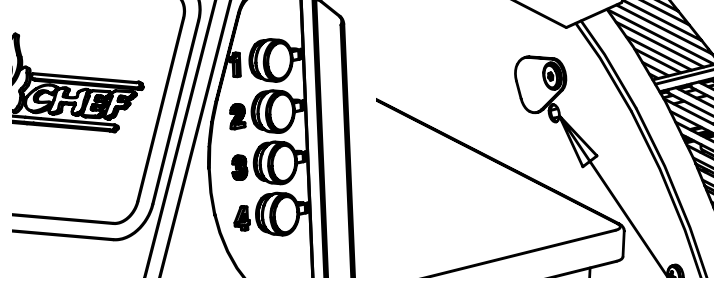
LE MODE BYPASS

Le mode BYPASS peut être utilisé en cas de coupure de courant ou lorsque le barbecue est éteint par accident ou chaque fois que vous souhaitez rallumer le barbecue lorsqu'il est encore chaud. Le mode BYPASS peut seulement être utilisé lorsque le barbecue est resté éteint moins de 3 à 4 minutes. Cette méthode est utilisée pour annuler le mode d'allumage normal et permettre au barbecue de reprendre la cuisson rapidement. Le brûleur doit être encore suffisamment chaud pour allumer de nouveaux granules, faute de quoi cette méthode ne fonctionnera pas. Le paramètre BYPASS peut être sélectionné pendant le démarrage initial du barbecue. Il suffit de le sélectionner depuis l'écran STARTUP. Si le barbecue refuse de s'allumer en mode BYPASS, il faudra alors le rallumer en suivant la procédure d'allumage normale.

SONDES À VIANDE

Le barbecue est équipé de sondes à viande intégrée qui permettent de mesurer la température des aliments au fur et à mesure de la cuisson. Pour utiliser les sondes, insérer le fil à travers les volets en acier inoxydable qui se trouvent sur le côté de la chambre de combustion. Insérer les sondes dans la nourriture. Raccorder les connecteurs dans les réceptacles situés sur le côté de l'unité de commande. Si les sondes ne sont pas installées correctement ou ne

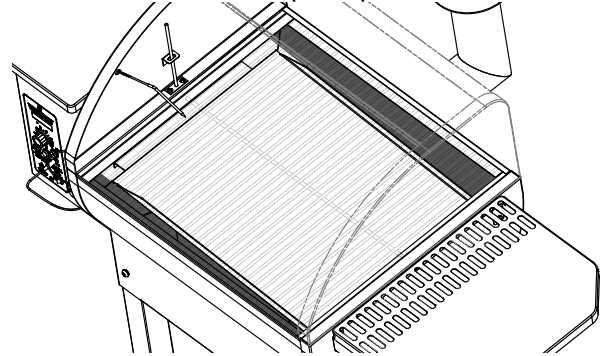
fonctionnent pas bien, aucune température ne sera affichée.



⚠ ATTENTION

Lorsque la température du barbecue dépasse 177 °C (350 °F), ne pas utiliser les sondes à viande, au risque d'endommager celles-ci.

Ne pas laisser les fils des sondes à viande dans les zones de chaleur directe (indiquées par les zones hachurées).



La chaleur directe endommagera les fils des sondes à viande. Toujours faire passer les sondes à viande à travers les trous sur le côté du barbecue. Ne pas plonger les fils dans l'eau. Ne pas laver en lave-vaisselle.

NETTOYAGE

Nettoyer les grilles à l'aide d'une brosse prévue à cet effet. Il convient d'effectuer ce nettoyage après chaque utilisation. NE PAS utiliser de produits nettoyants abrasifs ou pour fours sur les surfaces peintes du barbecue. Nettoyer ces surfaces à l'eau chaude savonneuse. Nettoyer périodiquement la lèchefrite, la gouttière et le tuyau d'évacuation des graisses. Une spatule peut être utilisée pour racler la graisse excédentaire. Continuer de nettoyer ensuite avec une brosse pour grille. Ne pas laisser la graisse s'accumuler sur la lèchefrite ou dans la gouttière ; des retours de flamme pourraient se produire à l'intérieur du barbecue. S'assurer de ne pas bloquer le passage de la graisse de la lèchefrite vers la gouttière. S'assurer de ne pas bloquer le débit d'air vers le capteur de température situé sur le côté gauche du barbecue.

⚠ ATTENTION

Une utilisation normale créera une accumulation de cendres, de graisse et de crésote dans le barbecue. Le barbecue doit être nettoyé à fond toutes les 50 heures d'utilisation ou si une accumulation de graisse ou de crésote est observée à l'intérieur du barbecue. Nettoyer le barbecue en enlevant toutes les pièces internes et enlever soigneusement toutes les graisses et la crésote de toutes les surfaces internes, y compris le tuyau d'évacuation des graisses et enlever les débris du barbecue. La lèchefrite doit toujours être nettoyée avant de mettre le barbecue en position haute ou de cuire en mode flamme directe. Une accumulation excessive de graisse et de crésote peut provoquer un feu de graisse. En cas d'incendie provoqué par la graisse, éteindre l'appareil au niveau de l'interrupteur principal et fermer le couvercle. Laisser le couvercle fermé jusqu'à l'extinction totale du feu. En cas d'incendie incontrôlable, appeler immédiatement le service local des incendies. Ne jamais verser de l'eau sur un feu de graisse.

NETTOYAGE DE LA CHEMINÉE

Lors de leur lente combustion, les granules de bois produisent du goudron et d'autres vapeurs organiques qui, combinés à l'humidité rejetée, forment la crésote. Les vapeurs de crésote se condensent dans un conduit de cheminée relativement froid d'un foyer à combustion lente. Il en résulte une accumulation de résidus de crésote dans la cheminée. Une fois mise à feu, cette crésote produit un feu extrêmement chaud. La cheminée doit être inspectée au moins toutes les 50 heures d'utilisation pour déterminer si une accumulation de graisse ou de crésote s'est produite. Si tel est le cas, cette accumulation doit être enlevée pour réduire le risque d'incendie. Utiliser une brosse métallique pour nettoyer la surface du tamis de la sortie de la cheminée à l'intérieur du barbecue toutes les 50 heures d'utilisation. La cheminée doit être retirée et nettoyée à fond pour éliminer l'accumulation de crésote et de graisse toutes les 200 heures d'utilisation.

DIAGNOSTIC DES PANNES

LE BARBECUE REFUSE DE S'ALLUMER

Le barbecue refuse de s'allumer après avoir positionné l'interrupteur sur la position Marche.

1. S'assurer que le barbecue est branché sur une prise secteur alimentée. Vérifier le disjoncteur et/ou disjoncteur de fuite de terre. Vérifier le bon fonctionnement de la

prise avec un autre appareil.

2. Débrancher le barbecue et vérifier le fusible situé au fond de l'unité de commande. Si celui-ci est brûlé, le remplacer uniquement par un fusible à action rapide de 4,0 ampères de 125 volts de 5 x 20 mm. Un fusible de ce type porte habituellement l'un des marquages suivants : 4A125V, F4A125V, 4A250V ou F4A250V. S'assurer qu'il s'agit bien d'un fusible à action rapide. Les dimensions réelles du fusible sont 5,2 x 20 mm.

Si le problème persiste, appeler le service à la clientèle.

LE BARBECUE NE CHAUFFE PAS OU L'UNITÉ DE COMMANDE AFFICHE UNE ERREUR DE FLAMME.

1. Couper le courant.
2. Vérifier si le réservoir contient des granules.
3. Vérifier si la chambre de combustion contient des granules.

Pour ce faire, il suffit simplement de tirer la tige de nettoyage du brûleur. Enlever ensuite le récipient à cendres en dessous du barbecue et vérifier s'il y a des granules. À l'aide d'un aspirateur, nettoyer les granules qui pourraient se trouver dans le fond du barbecue.

- A. Si le récipient à cendres contient beaucoup de granules, replacer le récipient à cendres et fermer la zone de nettoyage du brûleur, enlever les grilles du barbecue, la lèchefrite et le déflecteur de chaleur et aspirer les granules qui pourraient se trouver au fond du barbecue. Essayer de rallumer le barbecue. Si vous ne parvenez pas à rallumer le barbecue et que les granules arrivent dans la zone du brûleur, il conviendra sans doute de remplacer la bougie d'allumage.
- B. Si la zone du brûleur ne contient plus que quelques granules ou est vide, placer le bouton de commande sur la position FEED et vérifier si les granules tombent au fond du brûleur. S'il n'y a plus de granules, vérifier si la vis sans fin tourne. Lorsque le moteur de la vis fonctionne mais que la vis ne tourne pas, il se peut que l'axe de la vis soit sectionné. Pour vérifier si le moteur de la vis sans fin tourne, il suffit de regarder le petit ventilateur blanc qui se trouve à l'extrémité du moteur de la vis sans fin en dessous du réservoir à granules. Lorsque le ventilateur blanc fonctionne, cela signifie que le moteur est allumé. Si le ventilateur blanc fonctionne mais que la vis ne tourne pas, il faut remplacer l'axe de la vis sans fin. Si le problème persiste, appeler le service à la clientèle.

L'UNITÉ DE COMMANDE AFFICHE UNE ERREUR DE CAPTEUR

1. Éteindre le barbecue, puis le débrancher.
2. Vérifier si le capteur se trouvant à l'intérieur du barbecue est correctement relié à la carte électronique se trouvant en dessous du réservoir à granules.
3. Appeler le service à la clientèle pour recevoir un capteur de rechange.

LES TEMPÉRATURES DE LA SONDE NE S'AFFICHENT PAS

1. S'assurer que le thermomètre à viande est relié correctement à l'unité de commande.
2. Appeler le service à la clientèle pour recevoir un nouveau thermomètre à viande.

L'UNITÉ DE COMMANDE AFFICHE UNE TEMPÉRATURE TROP ÉLEVÉE (OVER TEMP.)

1. Ce cas survient lorsque la température interne du barbecue dépasse une température de fonctionnement normale. Le barbecue doit être nettoyé avant toute tentative d'allumage.

GARANTIE LIMITÉE

Garantie sans souci Camp Chef

Chez Camp Chef, nous garantissons la qualité de nos produits et sommes fiers de notre service à la clientèle. C'est pourquoi votre nouveau produit Camp Chef s'accompagne d'une Garantie sans souci. Nous garantissons que nos produits sont exempts de défaut de matériaux et de fabrication (à l'exclusion de la peinture et des finitions) tout au long de la période de validité de la garantie décrite ci-dessous. La présente garantie est uniquement accordée à l'acheteur individuel original. Pendant la période de validité de la garantie, nous remplacerons (à notre gré) toute pièce défectueuse ou tout produit défectueux couvert(e) par la présente garantie sur présentation de la preuve d'achat. Le remplacement sera effectué gratuitement.

Entretien requis :

Après chaque utilisation, nettoyer votre produit pour en préserver les finitions et en prolonger la durée de vie. Enlever toute trace de graisse et de cendres. Garder les produits métalliques à l'abri de l'humidité, des sels, des acides et des brusques variations de température. La peinture et les autres finitions de votre produit ne sont pas couvertes par la présente garantie. Les finitions extérieures du produit s'useront avec le temps.

Portée de la garantie :

La présente garantie ne couvre pas l'usure normale des pièces du produit ou tout dégât provoqué par la mauvaise utilisation, l'abus, la surchauffe et les modifications. Par ailleurs, elle ne couvre aucune modification. Camp Chef n'est pas responsable des pertes éventuelles résultant de la négligence. Par ailleurs, la présente garantie ne couvre pas les produits endommagés ou rendus défectueux en raison d'un accident, d'une mauvaise utilisation, d'un abus, d'une modification, de dommages causés par l'eau, de la négligence, d'une mauvaise manipulation ou conservation, d'un mauvais entretien ou d'une installation erronée, de l'ajout de composants tiers ou de l'exposition aux conditions climatiques, de catastrophes naturelles telles que les tremblements de terre, les ouragans, les tornades, les inondations, la foudre, les incendies ou le non-respect des consignes d'utilisation.

LES GARANTIES IMPLICITES ÉVENTUELLES PRÉVUES PAR LA LOI NE SERONT EN AUCUN CAS ÉTENDUES AU-DELÀ DE LA DURÉE DE LA PRÉSENTE GARANTIE EXPRESSE. Certains États américains n'autorisent pas les limitations relatives à la durée des garanties implicites et il se peut que la limitation ci-dessus ne vous soit pas applicable. LES RÉPARATIONS OU REMPLACEMENTS PRÉVUS DANS LA PRÉSENTE CONSTITUENT VOTRE UNIQUE RECOURS EN CAS DE PRODUIT DÉFECTUEUX. NOUS NE SAURIONS EN AUCUN CAS ÊTRE TENUS RESPONSABLES DE DOMMAGES-INTÉRÊTS QUELCONQUES DÉCOULANT DE PRÉJUDICES INDIRECTS DE NATURE QUELCONQUE SURVENANT DE L'ACHAT OU DE L'UTILISATION DU PRÉSENT PRODUIT, QUE CE SOIT SUR LA BASE D'UN MOTIF CONTRACTUEL, DÉLICTUEL, LÉGAL OU AUTRE. Certains États américains n'autorisent pas l'exclusion ou la limitation des dommages-intérêts découlant de préjudices indirects et il se peut donc que la limitation ou l'exclusion susvisée ne vous soit pas applicable. La présente garantie vous accorde certains droits légaux spécifiques et vous pourriez aussi vous prévaloir d'autres droits qui varient selon les États américains.

Veillez conserver tous les reçus d'achat originaux du distributeur agréé. Une preuve d'achat est requise pour bénéficier des services de garantie. Les pièces ou produits retournés sans autorisation écrite seront rejetés sans notification.

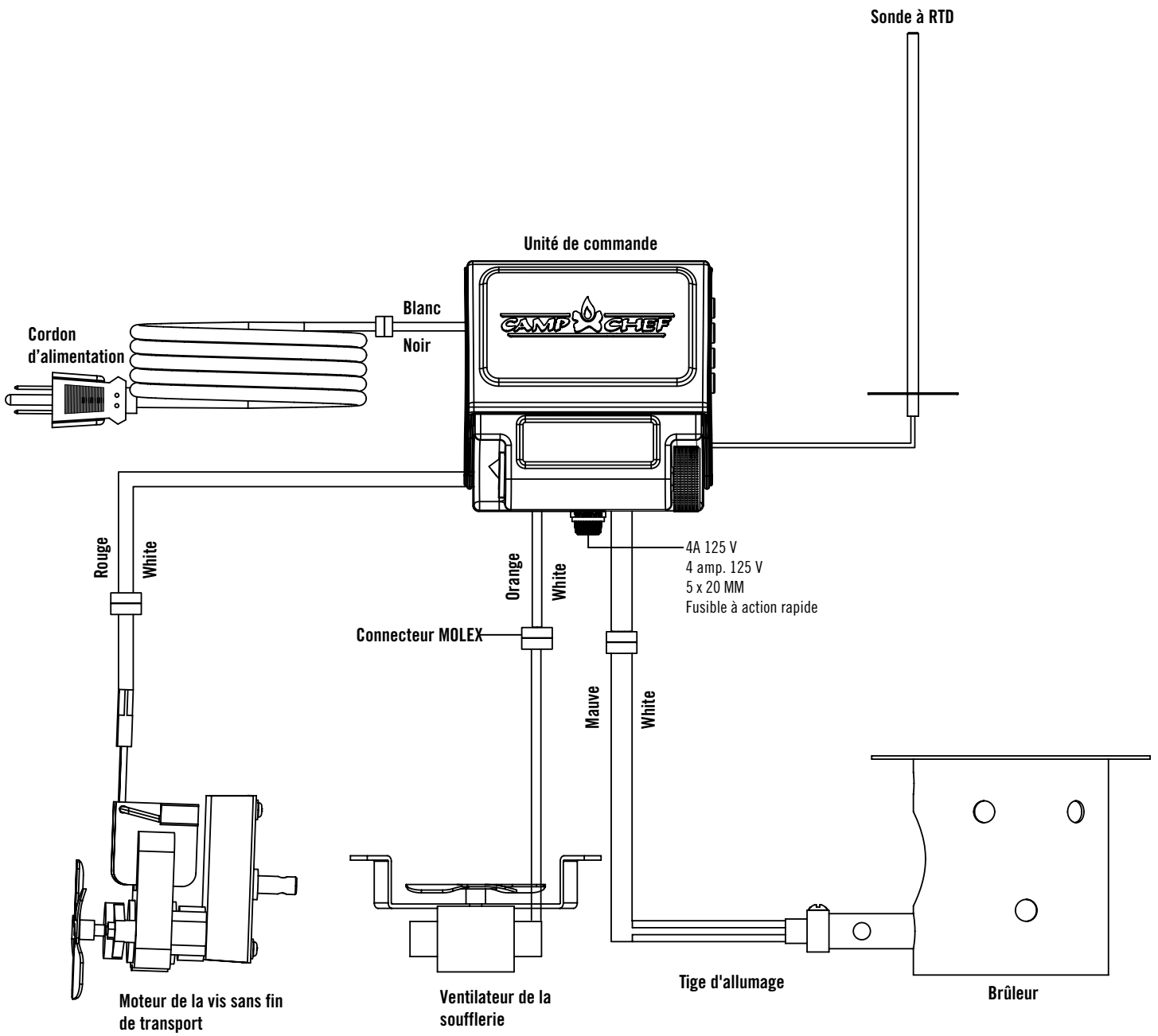
Pour bénéficier des services de garantie, veuillez soumettre une demande à cet effet sur notre site

www.campchef.com/warranty-information, par courriel à l'adresse warranty@campchef.com, ou par téléphone au numéro 1 800 650-2433. Nos experts produits seront heureux de vous assister en anglais, du lundi au vendredi de 7 h à 17 h, heure normale des Rocheuses.

La garantie s'applique aux États-Unis et au Canada.

PÉRIODES DE VALIDITÉ DE LA GARANTIE

Barbecues à granules	trois (3) an à partir de la date d'achat
Réchauds	un (1) an à partir de la date d'achat
Feux de camp	un (1) an à partir de la date d'achat
Chauffe-eau	un (1) an à partir de la date d'achat
Écrans de cinéma	un (1) an à partir de la date d'achat
Tous les autres articles et accessoires	Quatre-vingt-dix (90) jours à partir de la date d'achat



AVERTISSEMENT

Cet appareil est conforme à la partie 15 des règles de la FCC. Son fonctionnement est soumis aux deux conditions suivantes : 1 cet appareil ne doit pas provoquer d'interférences nuisibles; et 2 cet appareil doit accepter toute interférence reçue, y compris les interférences pouvant entraîner un fonctionnement indésirable.

Remarque : cet équipement a été testé et déclaré conforme aux limites d'un appareil numérique de classe B, conformément à la partie 15 des règles de la FCC. Ces limites sont conçues pour fournir une protection raisonnable contre les interférences nuisibles dans une installation résidentielle. Cet équipement génère, utilise et peut émettre de l'énergie radiofréquence et, s'il n'est pas installé et utilisé conformément aux consignes, peut causer des interférences nuisibles aux communications radio. Cependant, il n'y a aucune garantie que des interférences ne se produiront pas dans une installation particulière. Si cet équipement cause des interférences nuisibles à la réception radio ou télévision, ce qui peut être déterminé en éteignant et en rallumant l'équipement, l'utilisateur est encouragé à essayer de corriger l'interférence par une ou plusieurs des mesures suivantes :

- Réorienter ou déplacer l'antenne de réception;
- Augmenter la distance entre l'équipement et le récepteur;
- Connecter l'équipement à une prise d'un circuit différent de celui auquel le récepteur est connecté;
- Consulter le revendeur ou un technicien radio / TV expérimenté pour obtenir de l'aide.

