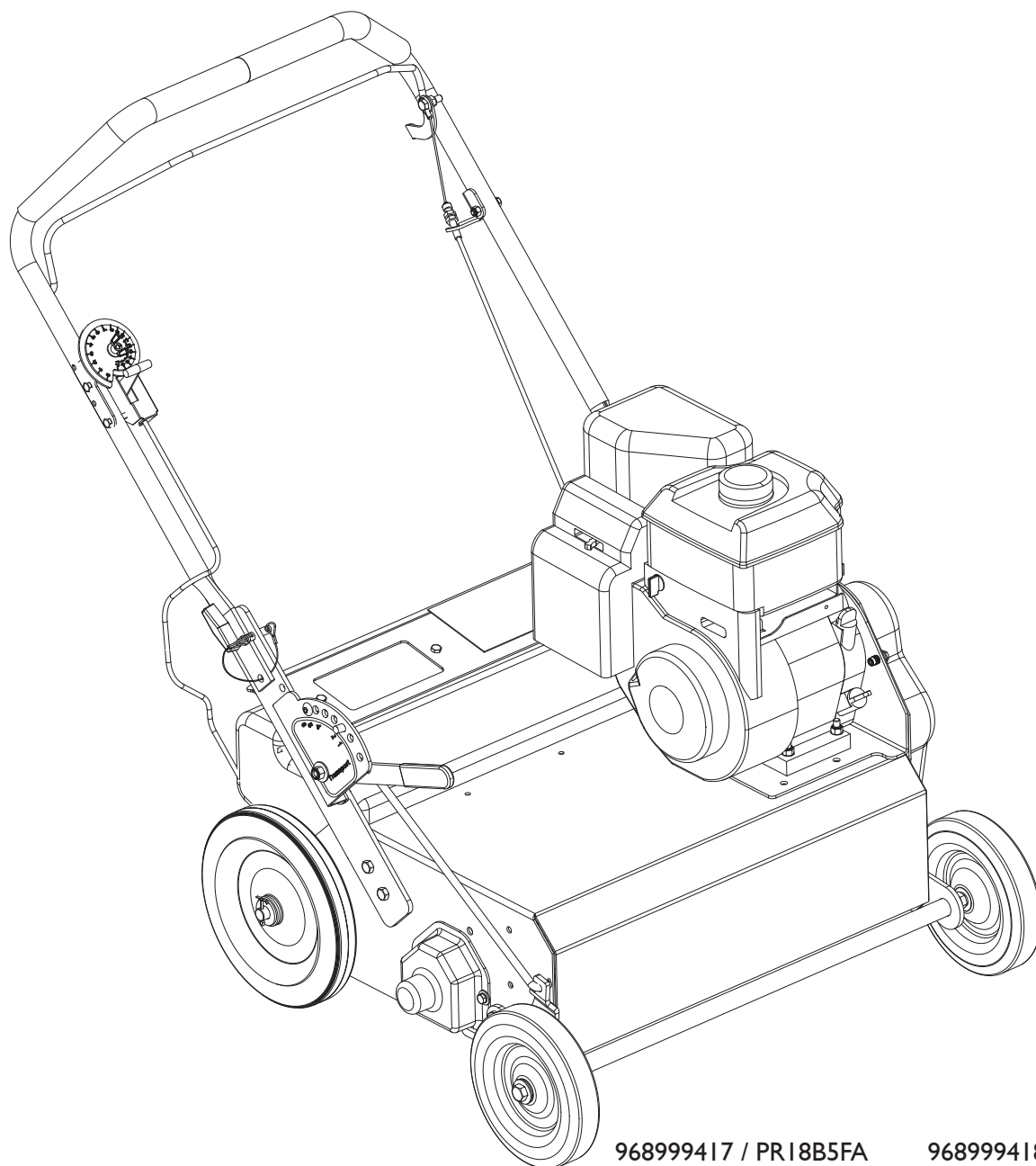




BLUEBIRD

Parts Manual



Models

968999417 / PR18B5FA
968999419 / PR18H5FA
968999422 / PR22B5FA
968999424 / PR22B5NRA
968999427 / PR22H5FA
968999429 / PR22H5NRA
968999440 / S22B5DA

968999418 / PR18B5NRA
968999421 / PR18NEFA
968999423 / PR22B5FBA
968999425 / PR22B8FA
968999428 / PR22H5FBA
968999430 / PR22NEFA
968999441 / S22H5DA

Please read the operator's manual carefully and make sure you understand the instructions before using the machine.

CONTENTS

FRAME

18 INCH	4
22 INCH	6
22 INCH BAGGER	8

HANDLE

18 INCH	10
22 INCH	12

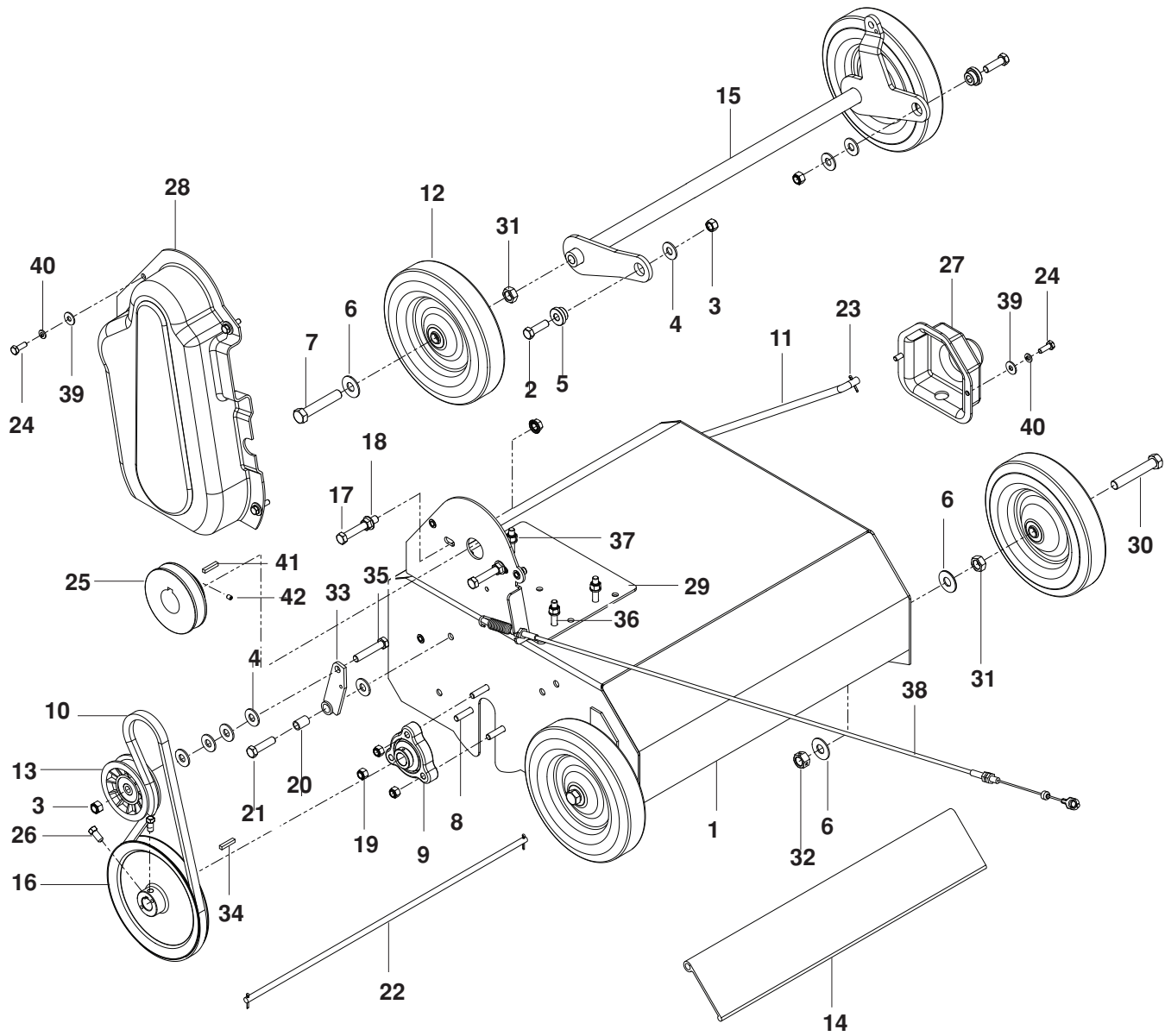
CUTTING EQUIPMENT

FLAIL BLADE	14
DELTA BLADE	14
SPRING TINES	14
BAGGER.....	16
SEEDER.....	18
DECALS.....	20

NOTE: ALL FASTENERS ARE GRADE 5 UNLESS OTHERWISE SPECIFIED.

FRAME

18 INCH

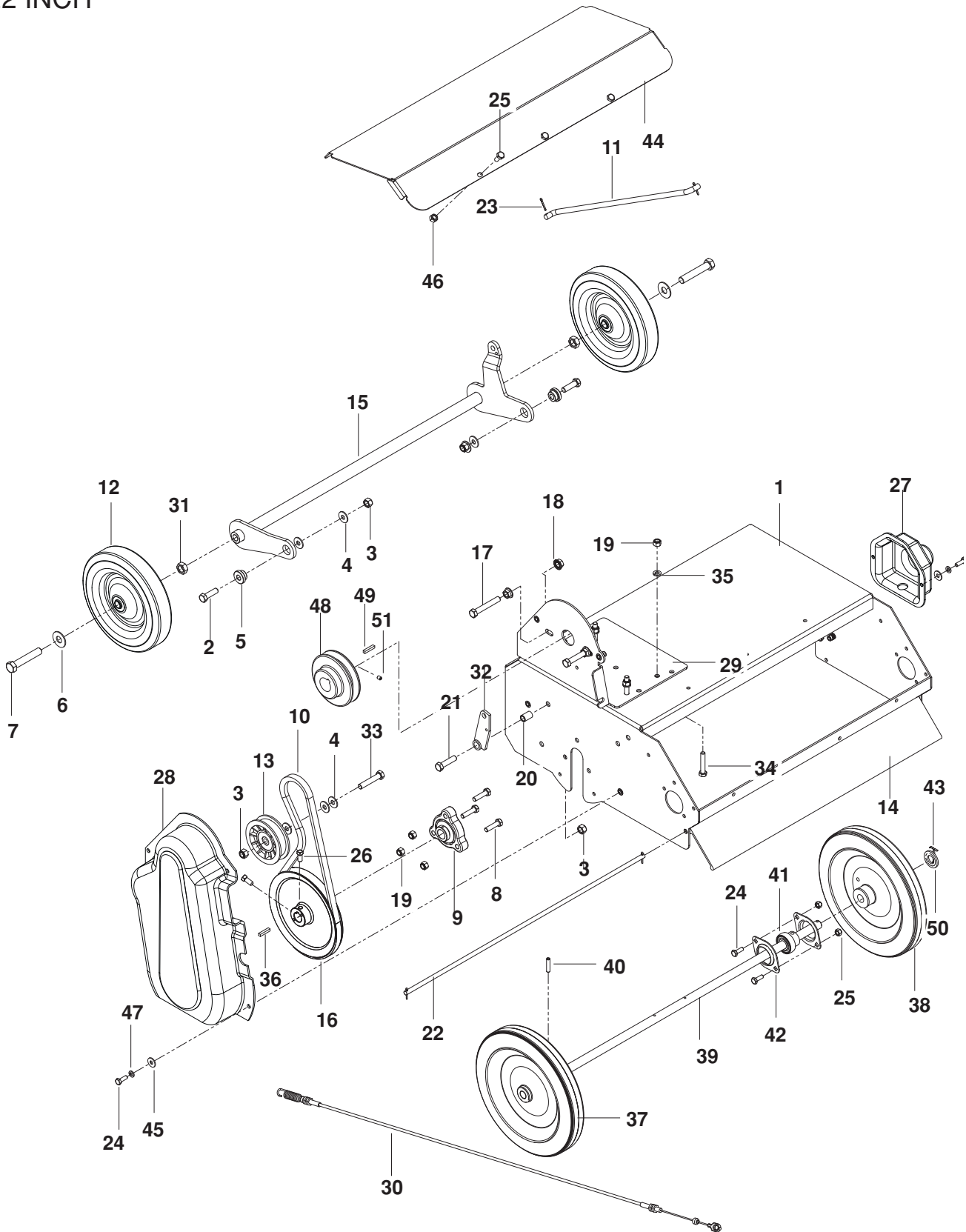


FRAME

ITEM	PART NO.	QTY.	DESCRIPTION	ITEM	PART NO.	QTY.	DESCRIPTION
1..	576495701.....	1	BODY w/ DECALS 18 INCH	22..	539100512.....	1	DEFLECTOR ROD
2..	539976941.....	2	HCS 3/8-16 x 1 1/4	23..	539990037.....	4	COTTER PIN
3..	539976979.....	4	NUT 3/8-16 NYLOC	24..	539990580.....	6	HCS 1/4-20 x 3/4
4..	539990517.....	7	WASHER 3/8 FLAT	25..	539108543.....	1	PULLEY w/ SET SCREW
5..	539106847.....	2	BUSHING	26..	539102717.....	2	SCREW 5/16-18 x 5/8 SET
6..	539990550.....	6	WASHER 1/2 FLAT	27..	539106754.....	1	GUARD, SHAFT
7..	539101332.....	2	HCS 1/2-13 x 2 3/4	28..	539108070.....	1	GUARD, BELT
8..	539990627.....	6	HCS 5/16-18 x 1 1/4	29..	576225201.....	1	BACKING PLATE
9..	539100488.....	2	BEARING, FLANGE	30..	539101572.....	2	HCS 1/2-13 x 3
10..	539100439.....	1	BELT	31..	539990625.....	4	NUT 1/2-13 JAM
11..	539106805.....	1	LINKAGE	32..	539200100.....	2	NUT 1/2-13 CNTRLK
12..	540075051.....	4	WHEEL 8 x 1 3/4	33..	522795001.....	1	IDLER ARM
13..	539110311.....	1	PULLEY, IDLER	34..	539910061.....	1	KEY 3/16 x 3/16 x 1
14..	539100508.....	1	REAR FLAP	35..	539990588.....	1	HCS 3/8-16 x 2
15..	576225501.....	1	FRONT AXLE	36..	539990669.....	4	HCS 5/16-18 x 1 3/4
16..	539100511.....	1	PULLEY 7"	37..	539990187.....	4	LOCKWASHER 5/16
17..	539990637.....	2	HCS 3/8-16 x 2 1/2	38..	539106827.....	1	CABLE 46.5
18..	539990613.....	4	NUT 3/8-16 SERRATED	39..	539990598.....	6	WASHER 1/4
19..	539990717.....	10	NUT 5/16-18 HEX NYLOC	40..	539990052.....	6	LOCKWASHER 1/4
20..	539100482.....	1	BEARING OILITE	41..	539910061.....	1	KEY 3/16"
21..	539990655.....	1	HCS 3/8-16 x 1 1/2	42..	539976956.....	1	SCREW 5/16-18 x 3/8 SET

FRAME

22 INCH

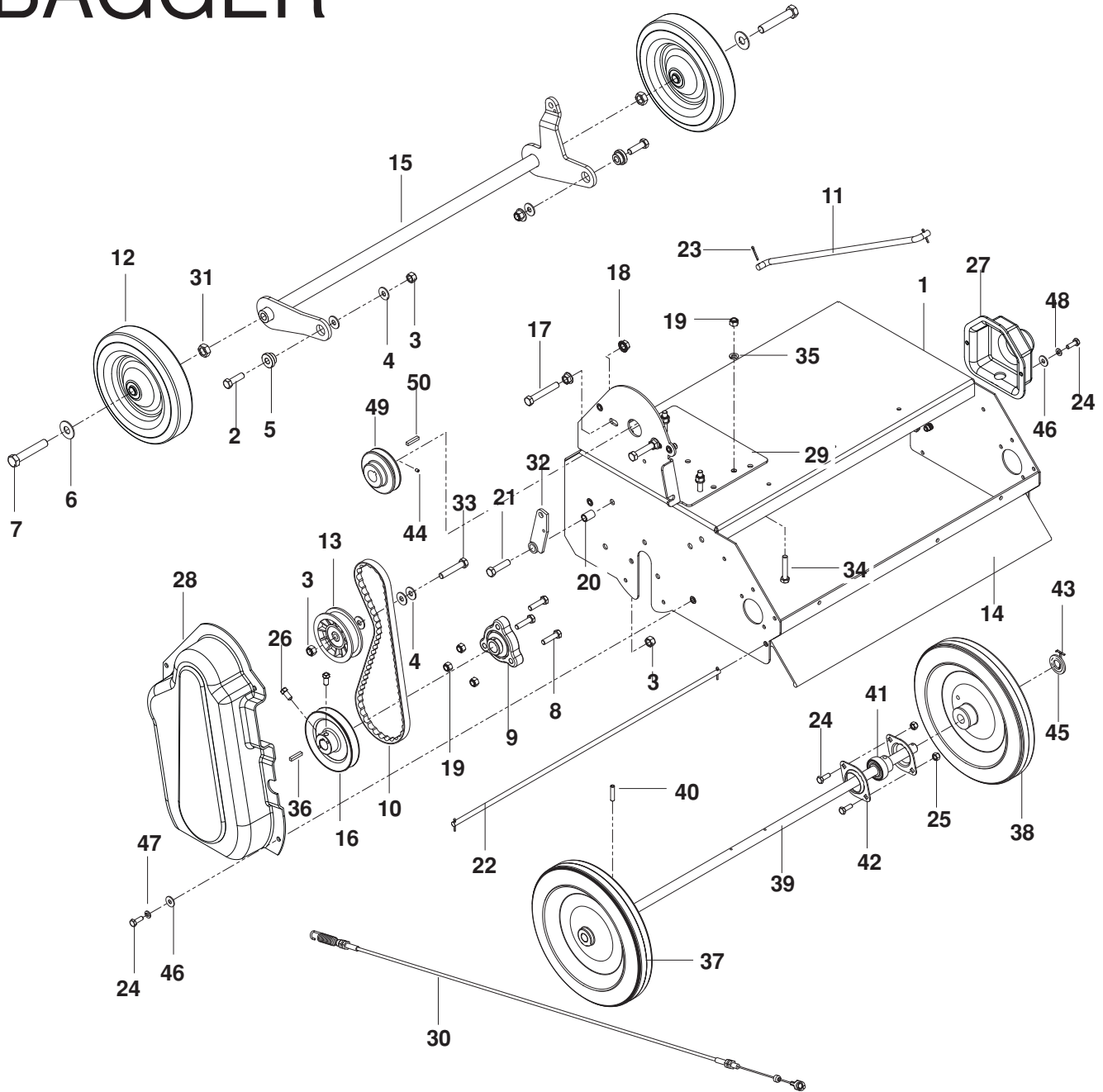


FRAME

ITEM	PART NO.	QTY.	DESCRIPTION	ITEM	PART NO.	QTY.	DESCRIPTION
1..	576495601.....	1	BODY w/ DECALS 22 INCH	29..	576225201.....	1	BACKING PLATE
2..	539976941.....	2	HCS 3/8-16 x 1 1/4	30..	539106849.....	1	CABLE 42.5
3..	539976979.....	4	NUT 3/8-16 NYLOC	31..	539990625.....	2	NUT 1/2-13 JAM
4..	539990692.....	7	WASHER 5/16	32..	522795001.....	1	IDLER ARM
5..	539106847.....	2	BUSHING	33..	539990588.....	1	HCS 3/8-16 x 2
6..	539990550.....	2	WASHER 1/2	34..	539990669.....	4	HCS 5/16-18 x 1 3/4
7..	539101332.....	2	HCS 1/2-13 x 2 3/4	35..	539990187.....	4	LOCKWASHER 5/16
8..	539990627.....	6	HCS 5/16-18 x 1 1/4	36..	539910061.....	2	KEY 3/16 X 3/16 X 1
9..	539100488.....	2	BEARING, FLANGE	37..	540000058.....	1	WHEEL 10 x 1 3/4 DRILLED
10..	539100439.....	1	BELT	38..	540053401.....	1	WHEEL 10 x 1 3/4 w/ BSHINGS
11..	539106805.....	1	LINKAGE	39..	539106663.....	1	AXLE, REAR
12..	540075051.....	2	WHEEL 8 x 1 3/4	40..	539109273.....	1	ROLL PIN 1/4 x 1 1/8
13..	539110311.....	1	PULLEY, IDLER	41..	540009127.....	2	BEARING 5/8 INCH
14..	539106643.....	1	REAR FLAP	42..	539000485.....	4	FLANGE, 5/8 BEARING
15..	576225901.....	1	FRONT AXLE	43..	539990297.....	2	COTTER PIN
16..	539100511.....	1	PULLEY 7"	44..	576225801.....	1	COVER
17..	539990637.....	2	HCS 3/8-16 x 2 1/2	45..	539990598.....	6	WASHER 1/4 FLAT
18..	539990613.....	4	NUT 3/8-16 SERRATED	46..	539976978.....	5	NUT 1/4-20 NYLOC
19..	539990717.....	10	NUT 5/16-18 HEX NYLOC	47..	539990052.....	6	LOCKWASHER 1/4
20..	539100482.....	1	BEARING OILITE	48..	539108543.....	1	ENGINE PULLEY w/ SS
21..	539990655.....	1	HCS 3/8-16 x 1 1/2	49..	539910061.....	1	KEY 3/16" 5.5 HP ENGINE
22..	539106672.....	1	FLAP ROD	50..	539976982.....	1	WASHER 5/8 SAE
23..	539990037.....	4	COTTER PIN	51..	539976956.....	1	SCREW 5/16-18 x 3/8 SET
24..	539990580.....	10	HCS 1/4-20 x 3/4				
25..	539108499.....	5	HCS 1/4-20 x 5/8				
26..	539102717.....	2	SCREW 5/16-18 x 5/8 SET				
27..	539106754.....	1	GUARD, SHAFT				
28..	539108070.....	1	GUARD, BELT				

FRAME

22 INCH BAGGER

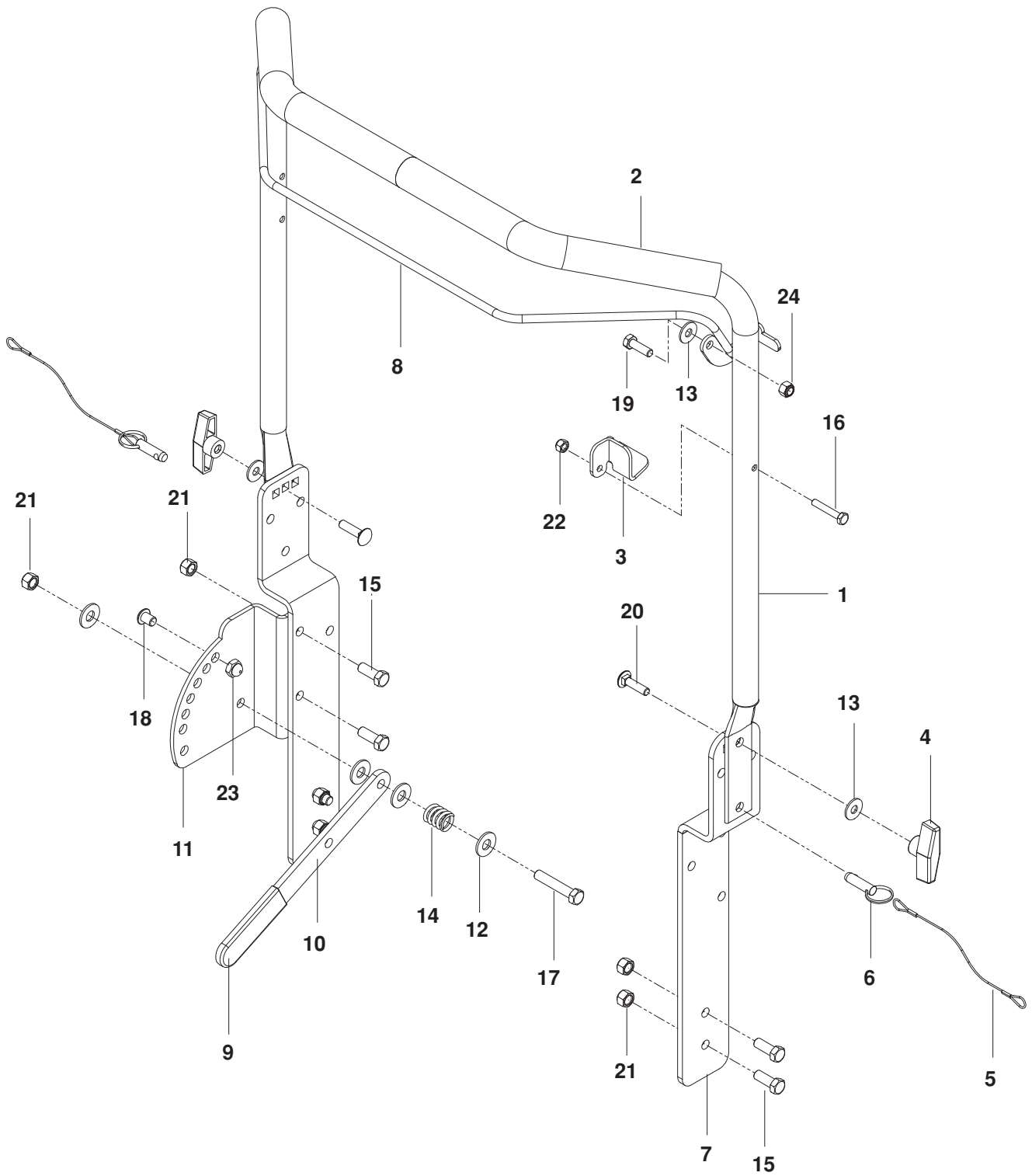


FRAME

ITEM	PART NO.	QTY.	DESCRIPTION	ITEM	PART NO.	QTY.	DESCRIPTION
1..	576495601.....	1	... BODY w/ DECALS	26..	539102717.....	2	... SCREW $\frac{5}{16}$ -18 x $\frac{5}{8}$ SET
2..	539976941.....	2	... HCS $\frac{3}{8}$ -16 x $1\frac{1}{4}$	27..	539106754.....	1	... GUARD, SHAFT
3..	539976979.....	4	... NUT $\frac{3}{8}$ -16 NYLOC	28..	539108070.....	1	... GUARD, BELT
4..	539990692.....	7	... WASHER $\frac{5}{16}$	29..	576225201.....	1	... BACKING PLATE
5..	539106847.....	2	... BUSHING	30..	539107188.....	1	... CABLE
6..	539990550.....	2	... WASHER $\frac{1}{2}$	31..	539990625.....	2	... NUT $\frac{1}{2}$ -13 JAM
7..	539101332.....	2	... HCS $\frac{1}{2}$ -13 x $2\frac{3}{4}$	32..	522795001.....	1	... IDLER ARM
8..	539990627.....	6	... HCS $\frac{5}{16}$ -18 x $1\frac{1}{4}$	33..	539990588.....	1	... HCS $\frac{3}{8}$ -16 x 2
9..	539100488.....	2	... BEARING, FLANGE	34..	539990669.....	4	... HCS $\frac{5}{16}$ -18 x $1\frac{3}{4}$
10..	539130836.....	1	... BELT	35..	539990187.....	4	... LOCKWASHER $\frac{5}{16}$
11..	539106805.....	1	... LINKAGE	36..	539910061.....	1	... KEY $\frac{3}{16}$ x $\frac{3}{16}$ x 1
12..	540075051.....	2	... WHEEL 8 x $1\frac{3}{4}$	37..	540000058.....	1	... WHEEL 10 x $1\frac{3}{4}$ DRILLED
13..	539110311.....	1	... PULLEY, IDLER	38..	540053401.....	1	... WHEEL 10 x $1\frac{3}{4}$ w/ BSHINGS
14..	539106643.....	1	... REAR FLAP	39..	539106663.....	1	... AXLE, REAR
15..	576225901.....	1	... FRONT AXLE	40..	539109273.....	1	... ROLL PIN $\frac{1}{4}$ x $1\frac{1}{8}$
16..	539113784.....	1	... PULLEY $4\frac{1}{2}$ "	41..	540009127.....	2	... BEARING $\frac{5}{8}$ " w/ COLLAR
17..	539990637.....	2	... HCS $\frac{3}{8}$ -16 x $2\frac{1}{2}$	42..	539000485.....	4	... FLANGE, FOR BEARING $\frac{5}{8}$ "
18..	539990613.....	4	... NUT $\frac{3}{8}$ -16 SERRATED	43..	539990297.....	2	... COTTER PIN
19..	539990717.....	10	... NUT $\frac{5}{16}$ -18 HEX NYLOC	44..	539976956.....	1	... SCREW $\frac{5}{16}$ -18 x $\frac{3}{8}$ SET
20..	539100482.....	1	... BEARING	45..	539976982.....	1	... WASHER $\frac{5}{8}$ SAE
21..	539990655.....	1	... HCS $\frac{3}{8}$ -16 x $1\frac{1}{2}$	46..	539990598.....	6	... WASHER $\frac{1}{4}$ FLAT
22..	539106672.....	1	... FLAP ROD	47..	539976978.....	5	... NUT $\frac{1}{4}$ -20 NYLOC
23..	539990037.....	4	... COTTER PIN	48..	539990052.....	6	... LOCKWASHER $\frac{1}{4}$
24..	539990580.....	10	... HCS $\frac{1}{4}$ -20 x $\frac{3}{4}$	49..	539108543.....	1	... PULLEY W/SS
25..	539976978.....	4	... NUT $\frac{1}{4}$ -20 NYLOC	50..	539910061.....	1	... KEY

HANDLE

18 INCH

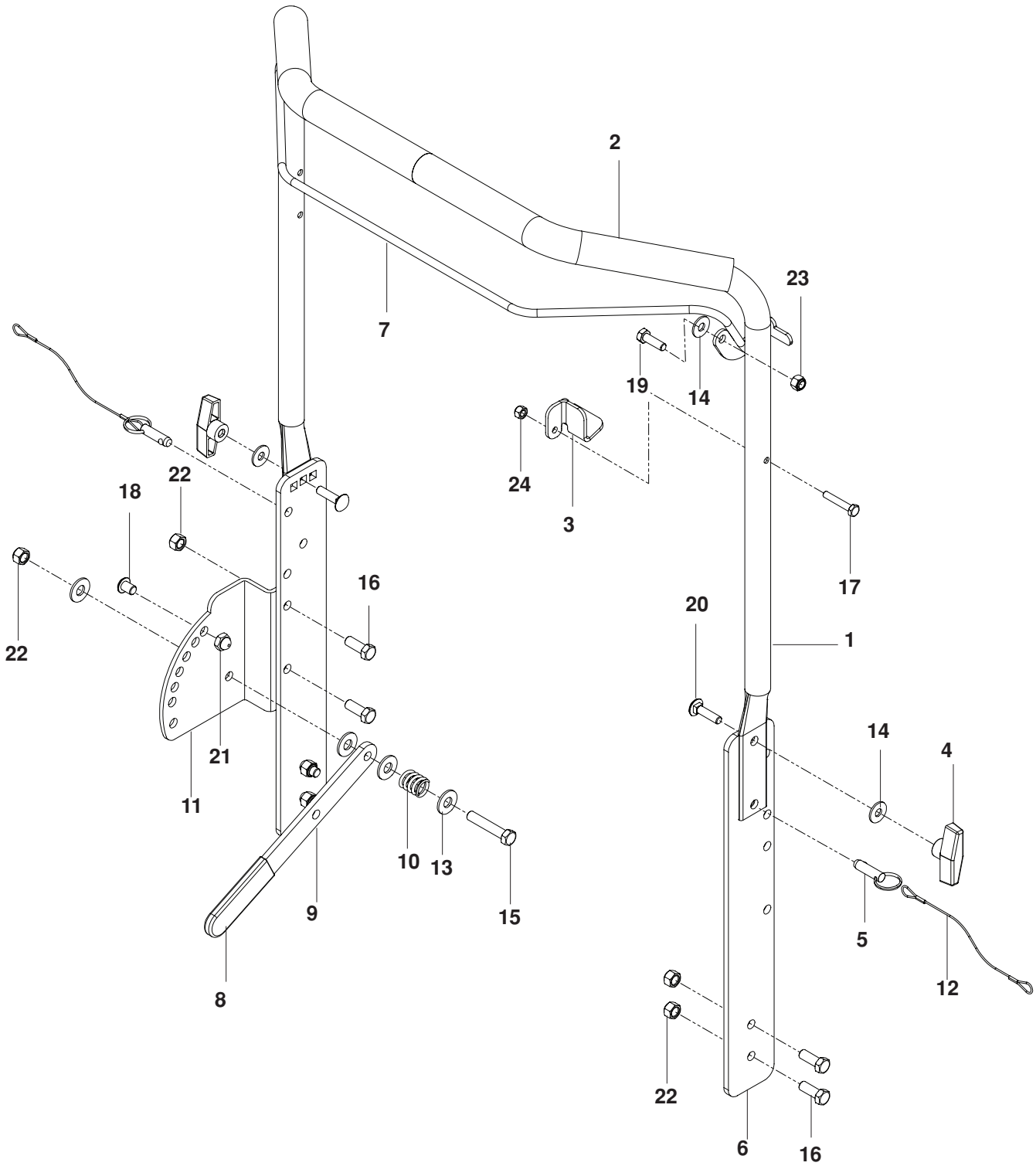


HANDLE

ITEM	PART NO.	QTY.	DESCRIPTION	ITEM	PART NO.	QTY.	DESCRIPTION
1..	521921902.....	1	HANDLE	12..	539990517.....	4	WASHER $\frac{3}{8}$ FLAT
2..	539052561.....	2	FOAM GRIP	13..	539990692.....	3	WASHER $\frac{5}{16}$ FLAT
3..	539106688.....	1	TAB, CABLE	14..	539976438.....	1	SPRING
4..	539100481.....	2	KNOB	15..	539990563.....	6	HCS $\frac{3}{8}$ -16 x 1
5..	539102563.....	2	LANYARD	16..	539990639.....	1	HCS $\frac{1}{4}$ -20 x $1\frac{1}{2}$
6..	539100556.....	2	PIN	17..	539990588.....	1	HCS $\frac{3}{8}$ -16 x 2
7..	576225401.....	2	HANDLE SIDE	18..	539108068.....	1	HCS $\frac{3}{8}$ -16 BUTTON HD
8..	521922002.....	1	BAIL	19..	539990209.....	1	HCS $\frac{5}{16}$ -18 x 1
9..	539976526.....	1	GRIP, LEVER	20..	539100472.....	2	RHSNB $\frac{5}{16}$ -18 x $1\frac{1}{4}$
10..	539106770.....	1	LEVER	21..	539976979.....	7	NUT $\frac{3}{8}$ -16 NYLOC
11..	539106768.....	1	PLATE, HEIGHT	22..	539976978.....	1	NUT $\frac{1}{4}$ -20 NYLOC
				23..	539108746.....	1	NUT $\frac{3}{8}$ -16 ACORN
				24..	539990717.....	1	NUT $\frac{5}{16}$ -18 HEX NYLOC

HANDLE

22 INCH

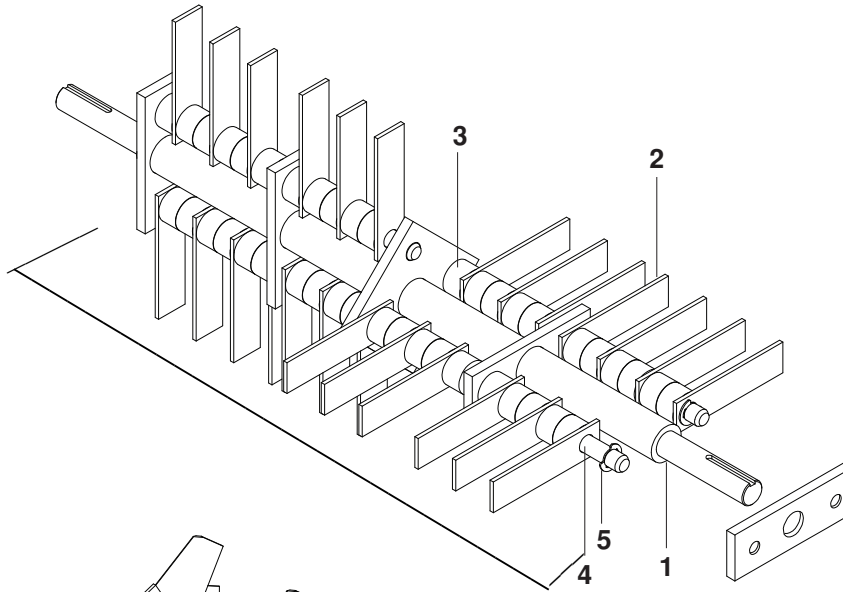


HANDLE

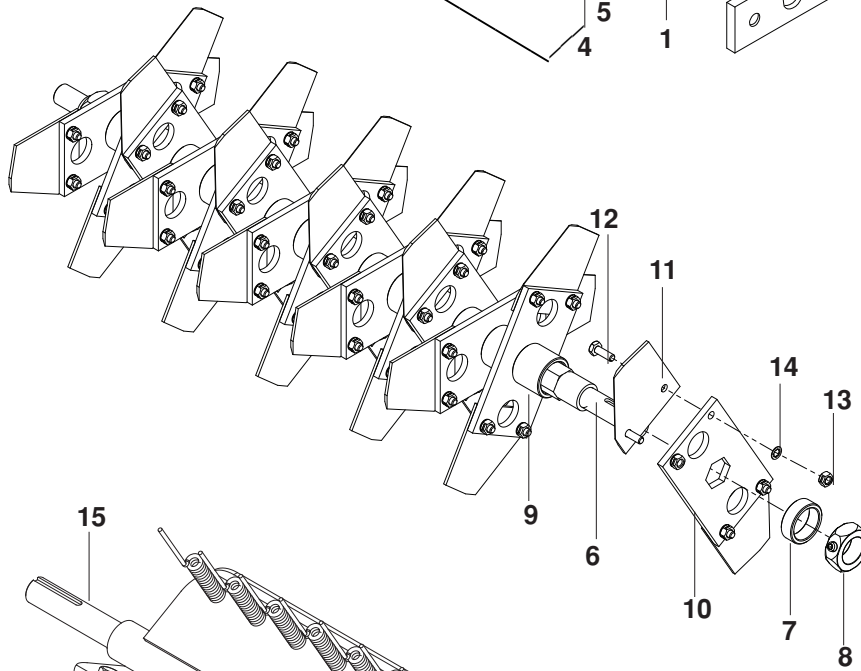
ITEM	PART NO.	QTY.	DESCRIPTION	ITEM	PART NO.	QTY.	DESCRIPTION
1..	521921902.....	1	HANDLE	12..	539102563.....	2	LANYARD
2..	539052561.....	2	FOAM GRIP	13..	539990517.....	4	WASHER $\frac{3}{8}$
3..	539106688.....	1	TAB, CABLE	14..	539990692.....	3	WASHER $\frac{5}{16}$
4..	539100481.....	2	KNOB	15..	539990588.....	1	HCS $\frac{3}{8}$ -16 x 2
5..	539100556.....	2	PIN	16..	539990563.....	6	HCS $\frac{3}{8}$ -16 x 1
6..	576225601.....	2	HANDLE SIDE	17..	539990639.....	1	HCS $\frac{1}{4}$ -20 x $1\frac{1}{2}$
7..	521922002.....	1	BAIL	18..	539108068.....	1	HCS $\frac{3}{8}$ -16 BUTTON HD
8..	539976526.....	1	GRIP, LEVER	19..	539990209.....	1	HCS $\frac{5}{16}$ -18 x 1
9..	539106770.....	1	LEVER	20..	539100472.....	2	RHSNB $\frac{5}{16}$ -18 x $1\frac{1}{4}$
10..	539976438.....	1	SPRING	21..	539108746.....	1	NUT $\frac{3}{8}$ -16 ACORN
11..	539106768.....	1	PLATE, HEIGHT	22..	539976979.....	7	NUT $\frac{3}{8}$ -16 NYLOC
				23..	539990717.....	1	NUT $\frac{5}{16}$ -18 HEX NYLOC
				24..	539976978.....	1	NUT $\frac{1}{4}$ -20 NYLOC

CUTTING EQUIPMENT

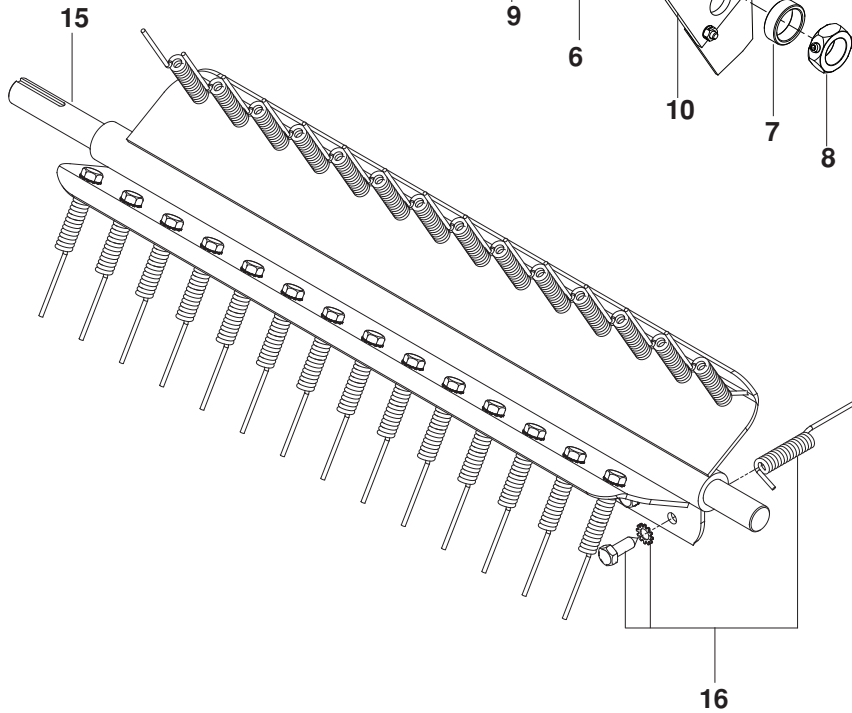
FLAIL BLADE



DELTA BLADE



SPRING TINES

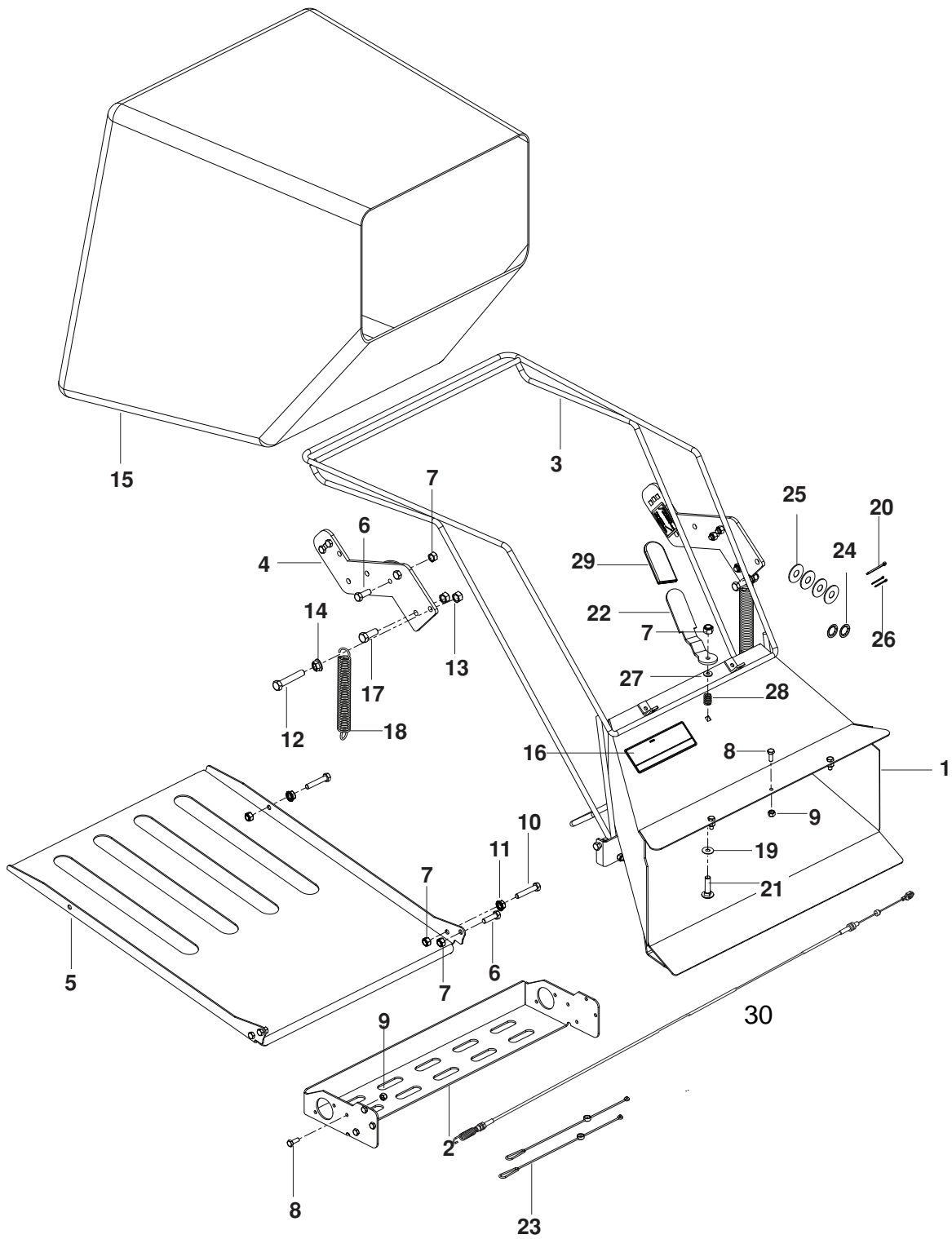


CUTTING EQUIPMENT

ITEM	PART NO.	QTY.	DESCRIPTION	ITEM	PART NO.	QTY.	DESCRIPTION
	5391071831	... 22" FLAIL ASSY NO BEARING	8..	5391005302	... JAM NUT w/ SET SCREW
	5391071801	... 18" FLAIL ASSY NO BEARING	9..	539106652	...14	... SPACER, LONG 22"
1..	5391066411	... SHAFT 22"		539106652	..11	... SPACER, LONG 18"
	5391068561	... SHAFT 18"	10..	539106651	...15	... BLADE PLATE 22"
2..	539108106	..1	.. BLADE SET 18" (26) BLADES		539106651	..12	... BLADE PLATE 18"
	539108110	..1	... BLADE SET 22" (32) BLADES	11..	540005966	...30	... DELTA BLADE 22"
3..	539108109	...1	... SPACER SET 18" (44)		540005966	..24	... DELTA BLADE 18"
	539108113	..1	... SPACER SET 22" (56)		5391081141	.. DELTA SET 18" (24) W HDWR
4..	5391081071	... BLD SHFT 18" (4) SET W CLPS		5391081161	.. DELTA SET 22" (30) W HDWR
	539108111	..1	.. BLD SHFT 22" (4) SET W CLIPS				
5..	5391019498	... E-RING 1/2"				
				12..	539108056	...60	... HCS 1/4-20 x 3/4 GR8 22"
					539108056	..48	... HCS 1/4-20 x 3/4 GR8 18"
				13..	539990761	...60	... NUT 1/4-20 CTRLK 22"
					539990761	..48	... NUT 1/4-20 CTRLK 18"
				14..	539000407	...60	... WASHER 1/4 LK 22"
					539000407	..48	... WASHER 1/4 LK 18"
6..	5391066501	... SHAFT 22"		5391071821	... 18" SPRING TINE REEL
	5391068601	... SHAFT 18"		5391071851	... 22" SPRING TINE REEL
7..	5391066532	... END SPACER	15..	539106683	...1	... SPRING TINE SHAFT (22")
				16..	5391081181	... SPRING w/ HARDWARE SET (36 SPRINGS)
					5391081191	... SPRING w/ HARDWARE SET (42 SPRINGS)

NOTE: Do not use spring tines on bagger models.

BAGGER



BAGGER

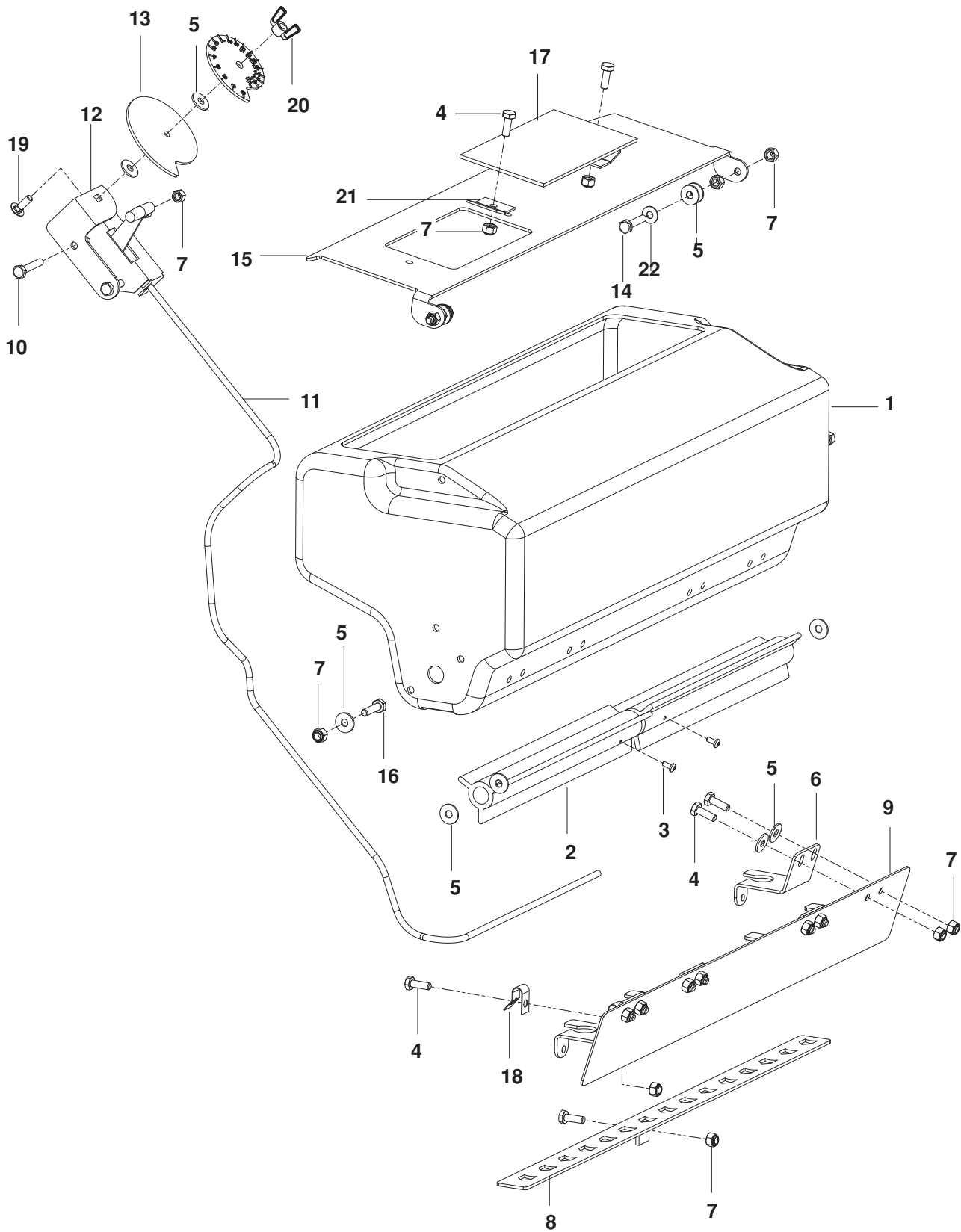
ITEM PART NO.	QTY.	DESCRIPTION	ITEM PART NO.	QTY.	DESCRIPTION
1..	576496801.....1	... CHUTE W/ DECAL	17..	539990563.....2	... HCS $\frac{3}{8}$ -16 X 1
2..	576226202.....1	... TRAY,	18..	539107315.....2	... SPRING, BAGGER
3..	539107242.....1	... FRAME, BAG BLK	19..	539990517.....1	... WASHER $\frac{3}{8}$
4.	576226001.....2	... EXTENDER	20..	539990297.....1	... COTTER PIN (FOR AXLE, REAR)
5.	576226101....1	... DOOR, SAFETY,	21..	539990861.....1	... RHSNB $\frac{5}{16}$ -18 x $1\frac{3}{4}$
6..	539990209.....6	... HCS $\frac{5}{16}$ -18 X 1	22..	539110982.....1	... BAG CLAMP
7..	539990717...10	... NUT $\frac{5}{16}$ -18 HEX NYLOC	23..	539102563.....2	... LANYARD
8..	539990580...17	... HCS $\frac{1}{4}$ -20 X $\frac{3}{4}$	24..	539109304.....2	... RETAINING CAP
9..	539976978...17	... NUT $\frac{1}{4}$ -20 NYLOC	25..	539976982.....4	... WASHER $\frac{5}{8}$ SAE FLAT
10..	539990669.....3	... HCS $\frac{5}{16}$ -18 X $1\frac{3}{4}$	26..	539990037.....2	... COTTER PIN $\frac{3}{32}$ X $\frac{3}{4}$
11..	539990585.....3	... NUT $\frac{5}{16}$ -18 SERRATED	27..	539990692.....1	... WASHER $\frac{5}{16}$
12..	539990588.....2	... HCS $\frac{3}{8}$ -16 X 2	28..	539976438.....1	... SPRING
13..	539976979.....4	... NUT $\frac{3}{8}$ -16 NYLOC	29..	539110865.....1	... GRIP
14..	539990613.....2	... NUT $\frac{3}{8}$ -16 SERRATED	30..	539107188.....1	... CABLE BAGGER 52 INCH
15..	539001231.....1	... BAG, CATCHER			NOT SHOWN
16..	539108143.....1	... DECAL, WARNING		5391097711	... BLADE KIT 56 BLADES

NOTE: Ref. No. 23 is used for reattaching pin to extender. Ref. No. 24 is used for reinstalling tire to axle.

Some models use a metal removable lanyard. For those models, the plastic lanyard (Item 23) is not necessary.

Some models use a cotter pin in the AXLE, REAR. For those models, retaining ring (Item 24) is not necessary.

SEEDER

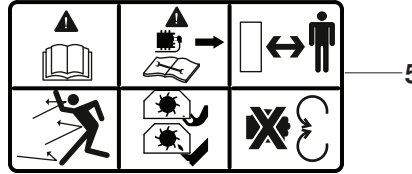
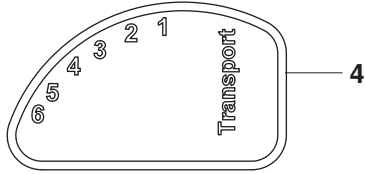


SEEDER

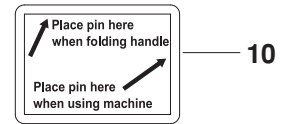
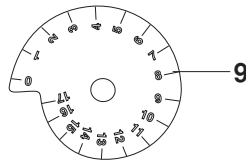
ITEM	PART NO.	QTY.	DESCRIPTION	ITEM	PART NO.	QTY.	DESCRIPTION
1..	539109374.....	1	... SEEDBOX, GRAY	14..	539100266.....	2	... HCS 1/4-20 x 1 1/4
2..	539106661.....	2	... AGITATOR	15..	576226401.....	1	... DOOR, SEED
3..	539108495.....	2	... SCREW #8-32 x 3/8 TAPPING	16..	539990548.....	2	... HCS 1/4-20 x 1
4..	539990580...	12	... HCS 1/4-20 x 3/4	17..	539106806.....	1	... WINDOW, SEED
5..	539990598...	20	... WASHER 1/4 FLAT	18..	539052931.....	1	... CLAMP, CABLE
6..	539106677.....	4	... GUIDE	19..	539990074.....	1	... BOLT 1/4-20 x 3/4 CARRIAGE
7..	539976978...	20	... NUT 1/4-20 NYLOC	20..	539990997.....	1	... WINGNUT 1/4-20 NYLOC
8..	539106678.....	1	... GATE	21..	539107246.....	2	... CLIP, WINDOW
9..	539109375.....	1	... SHIELD	22..	539990055.....	2	... WASHER 1/4 SAE
10..	539990639.....	2	... HCS 1/4-20 x 1 1/2				
11..	539052551.....	1	... CABLE, PUSH/PULL ASSY				
12..	539106680.....	1	... MOUNT				
13..	539107357.....	1	... DIAL, SEED				

NOTE: Some models use a cotter pin on the AXLE, REAR. For those models, pushnuts are not necessary.

DECALS



SEED APPLICATION CHART:				LAWN PREPARATION:			
SEED	APPLY RATE	SEED	APPLY RATE	SEED	APPLY RATE	SEED	APPLY RATE
TYPE	PER SQ. FT.	TYPE	PER SQ. FT.	TYPE	PER SQ. FT.	TYPE	PER SQ. FT.
PREPARATION	PREPARATION	PREPARATION	PREPARATION
RECOMMENDATIONS	RECOMMENDATIONS	RECOMMENDATIONS	RECOMMENDATIONS
NOTE	NOTE	NOTE	NOTE



DECALS

ITEM	PART NO.	QTY.	DESCRIPTION	ITEM	PART NO.	QTY.	DESCRIPTION
1..	540200076.....	1 ...	DECAL, DANGER FOOT	8..	539107381.....	1 ...	DECAL, PR18
2..	539108143.....	1 ...	DECAL, BLADES WARNING	9..	540200141.....	1 ...	DECAL, DIAL SEED
3..	539101881.....	1 ...	DECAL, PROP 65	10..	539107244.....	1 ...	DECAL, HANDLE PIN
4..	539108064.....	1 ...	DECAL, DEPTH	11..	539107191.....	1 ...	DECAL, PR22
5..	539107359.....	1 ...	DECAL, SAFETY GRAPHICS	12..	539008338.....	1 ...	DECAL, BLUEBIRD 15"
6..	540200140.....	1 ...	DECAL, SEED APPLICATION	13..	539107192.....	1 ...	DECAL, LAWN SEEDER S22
7..	540200143.....	1 ...	DECAL, OPEN/CLOSE	14..	539008337.....	1 ...	DECAL, BLUEBIRD 4"



68 S Squirrel RD
Auburn Hills MI 48326