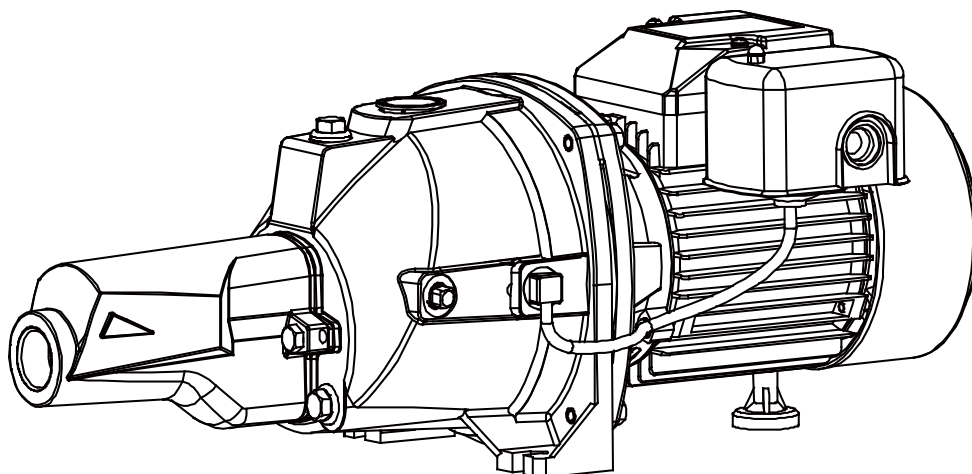


USE AND CARE GUIDE

CONVERTIBLE JET PUMP



Questions, problems, missing parts? Before returning to the store call
Everbilt Customer Service
8 a.m. - 6 p.m., EST, Monday-Friday

1-844-241-5521

WWW.HOMEDEPOT.COM

Rev. 05/25/17

THANK YOU

We appreciate the trust and confidence you have placed in Everbilt through the purchase of this convertible jet pump. We strive to continually create quality products designed to enhance your home. Visit us online to see our full line of products available for your home improvement needs. Thank you for choosing Everbilt!

Table of Contents

Table of Contents 2
 Performance 2
 Safety Information 2
 Warranty 3
 Pre-Installation 4

Shallow Well Installation 5
 Pressure Switch Assembly Instructions 10
 Deep Well Pump Replacement 11
 Troubleshooting 17

Performance

SKU	HP	GPH of Water @ Total Discharge Pressure of 40 psi								Max. Pressure
		0 ft.	10 ft.	20 ft.	30 ft.	40 ft.	50 ft.	60 ft.	70 ft.	
1001480251	3/4	612	486	372	360	318	270	210	180	67 psi
1001480255	1	822	696	540	444	420	360	306	276	67 psi

Safety Information



DANGER: Do not pump flammable or explosive liquids such as oil, gasoline, kerosene, ethanol, etc. Do not use in the presence of flammable or explosive vapors. Using this pump with or near flammable liquids can cause an explosion or fire, resulting in property damage, serious personal injury, and/or death.



DANGER: ALWAYS disconnect the power to the pump before servicing.



DANGER: Do not touch the motor housing during operation. The motor is designed to operate at high temperatures. Do not disassemble the motor housing.



DANGER: Do not handle the pump or pump motor with wet hands or when standing on a wet or damp surface, or in water.



WARNING: Wear safety goggles at all times when working with pumps.



WARNING: This is a dual voltage 115/230 V pump. VOLTAGE SELECTOR INSIDE PRESET TO 230V. For 115V selection, please open the terminal cover and set the switch to the proper voltage. All wiring should be performed by a qualified electrician.



WARNING: Protect the electrical cord from sharp objects, hot surfaces, oil, and chemicals. Avoid kinking the cord. Do not use damaged or worn cords.



WARNING: Failure to comply with the instruction and designed operation of this unit may void the warranty. ATTEMPTING TO USE A DAMAGED PUMP can result in property damage, serious personal injury, and/or death.



WARNING: The pump should be connected to a 230V/115V GFCI outlet protected with a 10 amp (230V)/20 amp(115V) fuse or circuit breaker.



CAUTION: Know the pump and its applications, limitations, and potential hazards.



CAUTION: Secure the pump to a solid base.



CAUTION: Periodically inspect the pump and system components. Disconnect the pump from the power supply before inspecting.



CAUTION: Follow all electrical and safety codes, particularly the Canadian Electrical Code, and local codes and ordinances.



IMPORTANT: The motor of this pump has a thermal protector that will trip if the motor becomes too hot. The protector will reset itself once the motor cools down and an acceptable temperature has been reached. The pump may start unexpectedly if it is plugged in.



IMPORTANT: Ensure the electrical power source is adequate for the requirements of the pump.



IMPORTANT: This pump is made of high-strength, corrosion-resistant materials. It will provide trouble-free service for a long time when properly installed, maintained, and used. However, inadequate electrical power to the pump, dirt, or debris may cause the pump to fail. Please carefully read the manual and follow the instructions regarding common pump problems and remedies.

Warranty

The manufacturer warrants the products to be free from defects in materials and workmanship for a period of one year from date of purchase. This warranty applies only to the original consumer purchaser and only to products used in normal use and service. If within one year this product is found upon examination by the manufacturer to be defective in materials or workmanship, the manufacturer's only obligation, and your exclusive remedy, is the repair or replacement of the product at the manufacturer's discretion, provided that the product has not been damaged through misuse, abuse, accident, modifications, alterations, neglect or mishandling. Your original receipt of purchase is required to determine warranty eligibility.

The purchaser must pay all labor and shipping charges necessary to replace the product covered by this warranty.

This Limited Warranty does not cover products which have been damaged as a result of an accident, misuse, abuse, negligence, alteration, improper installation or maintenance, or failure to operate in accordance with the instructions supplied with the products, or operational failures caused by corrosion, rust, or other foreign materials in the system.

Requests for service under this warranty shall be made by returning the defective product to the manufacturer as soon as possible after the discovery of any alleged defect. The manufacturer will subsequently take corrective action as promptly as reasonably possible.

The manufacturer does not warrant and especially disclaims any warranty, whether express or implied, of fitness for a particular purpose, other than the warranty contained herein. This is the exclusive remedy and any liability for any and all indirect or consequential damages or expenses whatsoever is excluded.

Some states do not allow the exclusion or limitation of incidental or consequential damages or limitations on how long an implied warranty lasts, so the above limitations or exclusions may not apply to you. This warranty gives you specific legal rights and you may also have other rights which vary from state to state.

For Professional Technical Support call 1-844-241-5521 or visit HOMEDEPOT.COM

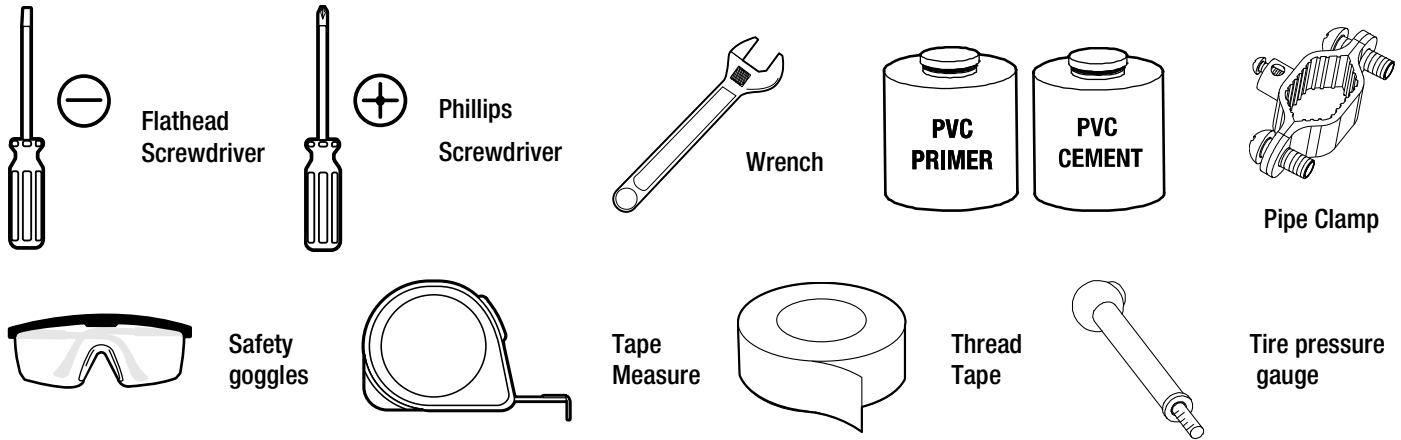
For warranty registration please go to www.gppumpsus.com

Pre-Installation

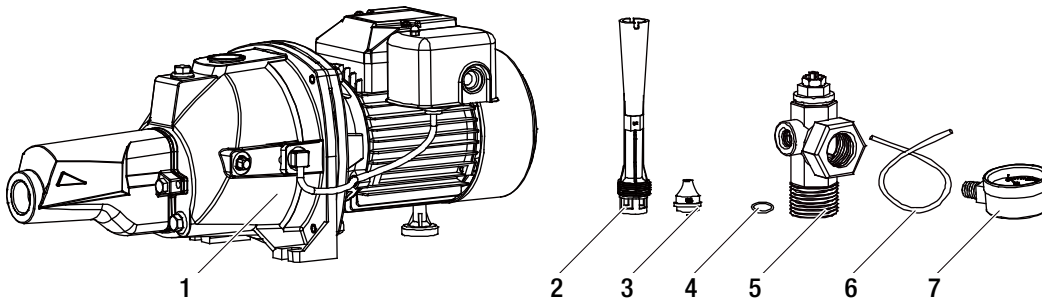
APPLICATION

This unit is a convertible jet pump designed for pumping water where the water level is less than 70 ft. deep. If the water level to the pump is deeper than 70 ft., a deep well submersible pump should be selected. A pressure switch pre-set at 30 psi "on"/ 50 psi "off" has been installed on the pump. The pressure switch will automatically turn the pump on and off based on the system pressure.

TOOLS REQUIRED



PACKAGE CONTENTS



Part	Description
1	Pump
2	Venturi tube (J32P-18/#11)
3	Nozzle (#02)
4	O Ring

Part	Description
5	Pressure regulator
6	Pressure tube
7	Pressure gauge

SPECIFICATIONS

Power supply	115V/230V, 60 HZ., 20/10 Amp Circuit
Liquid temp. range	32°F to 95°F (0°- 35°C)
Discharge size	1 in. FNPT
Suction size	1-1/4 in. FNPT
Shallow well water level	25 ft.
Deep well water level	70 ft.

Pre-Installation (continued)

DETERMINE THE DEPTH OF YOUR WELL

Tie a small but heavy weight such as a fishing weight to the end of a piece of cotton string. Lower the weight into the well until it reaches the bottom of the well. Make a mark on the string at ground level. Pull the weight out of the well and measure from the bottom of the weight to the ground level mark. This is the depth of your well. Subtract 5 ft. from the depth of your well. If this number is less than 25 ft., shallow well installation should be taken. If this number is more than 25 ft. and less than 70 ft., deep well installation should be taken. If this number is more than 70 ft., a deep well submersible pump should be selected. Measure the ground level mark to the mark where the cotton string is wetted. This number is your well's water level. It should also be at least 10 ft. below the well's water level while the pump is running in order to prevent the pump from sucking air due to water level drawdown.

LOCATION OF THE PUMP

Decide on the area for the pump installation. Select a pump location with adequate space for future pump maintenance. It can be located in the basement or utility room of the house, at the well, or between the house and the well. If installed outside of the house, it should be protected by a pump house with auxiliary heat to prevent possible freezing. Protect the pump against flooding and excess moisture. The well also should be protected for sanitary reasons. Mount the pump as close to the well as possible.

TANKS - PRE-CHARGED STORAGE

For best performance of the pump, it is recommended that you use a diaphragm pressure tank (sold separately). It is best to have this in place before installing the pump. A pre-charged storage tank has a flexible bladder or diaphragm that acts as a barrier between the compressed air and water. This barrier prevents the air from being absorbed into the water and allows the water to be acted on by compressed air at initially higher than atmospheric pressures (pre-charged). More usable water is provided than with a conventional type tank.

The pump has a 30/50 PSI pressure switch, which means the "cut-in" is 30 PSI; therefore, the tank needs to be set to 28 PSI. To check the pressure in the tank, use a tire pressure gauge (not included). If the tank pre-charged less than 28 PSI, re-charge air to the tank to 28 PSI with a tire pump or air compressor. If the tank pre-charged over 28 PSI, bleed out some air to 28 PSI.

For wells 25 ft. or less in depth, shallow well installations should be adapted. The shallow well installations have only one single pipe between the pump and well water.

Shallow Well Installation

MATERIALS REQUIRED (NOT INCLUDED)

Additional items needed	QTY	Internet#	Additional items needed	Size	Internet#
(A) 1-1/4 in. Foot Valve	1	205618048	(I) 1-1/4 in. Flexible PVC Coupling (required is using PVC pipe)	1	100055392
(B) 1-1/4 in. Priming Tee	1	100120387	(J) 1-1/4 in. Check Valve	1	206828008
(C) 1 in. Female PVC adaptor	2	100347423	(K) 1 in. Discharge Tee	1	203990025
(D) 1/2 in. pressure relief valve	1	205149183	(L) 1 in. Male Adaptor	1	100344011
(E) 1-1/4 in. Schedule 80 PVC Pipe (or Flex Pipe)		100182626	(M) 10 in. Tank Tee (or recommended size based on tank size)	1	205618015
(F) 1-1/4 in. Coupling (required if using PVC pipe)	1	203811387	(N) 1/4 in. Plug	1	100204497
(G) 1/2 in. x 1/2 in. Drain valve	1	205812176	(O) 2 in. Pressure gauge 0-100 psi	1	205962440
(H) 4 in. Well Seal	1	300494432	(P) 1-1/4 in. Male Adaptor	3	203811644



WARNING: All joints and connections must be AIRTIGHT. A single leak will prevent the proper operation of the pump. Wrap thread tape clockwise on all threaded connections. For all non-threaded connections, you must use PVC Purple Primer and PVC Cement to ensure airtight seals. Measure all pipe lengths before attaching.



NOTE: A foot valve is a check valve that is used to keep the water from running back into the well from the pump and maintain hydraulic pressure when the pump is not running. If the foot valve does not hold the water the pump will lose its prime and will not pump water. If the foot valve open pressure is too high (the spring is too stiff), or the flow area is too small, the pump suction head and flow rate will significantly drop.



NOTE: The suction pipe size should not be less than 1-1/4 in. The suction size of this pump is 1-1/4 in. FNPT.

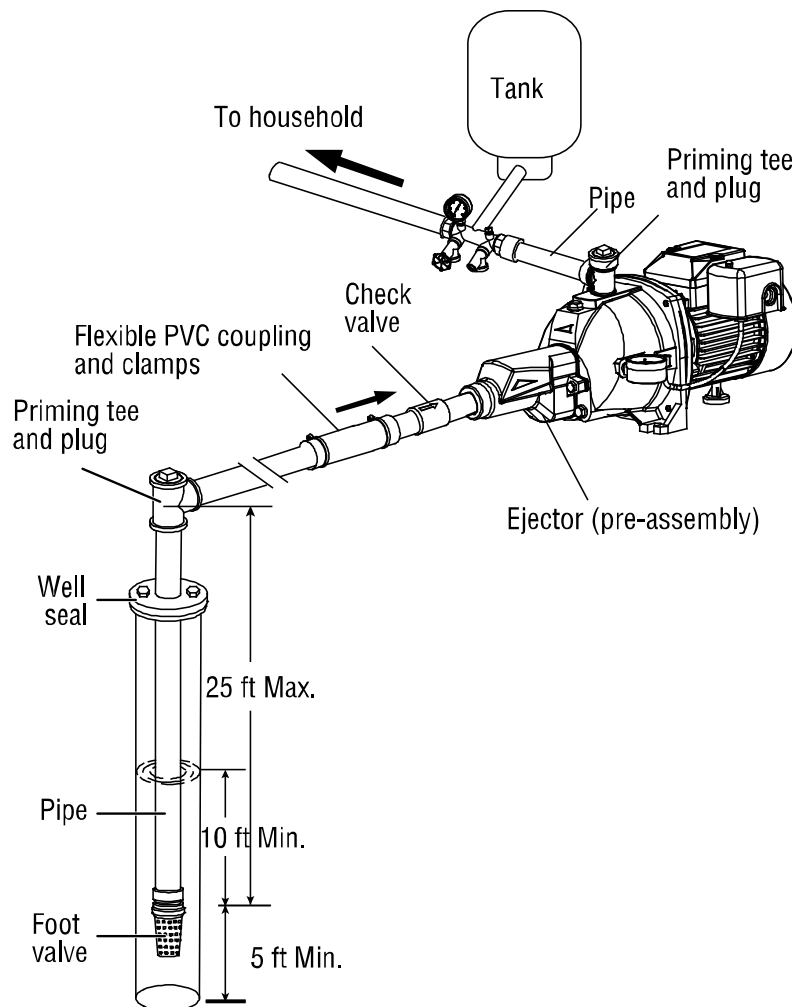
Shallow Well Installation (continued)

REPLACING AN EXISTING PUMP



WARNING: Risk of electric shock. Can shock, burn or kill. Disconnect power to pump before working on pump or motor.

1. Drain and remove the old pump. Check the old pipe for scale, lime, rust, etc., and replace it if necessary.
 2. Install the pressure gauge in the pump body.
 3. Install the pump in the system. Make sure that all pipe joints in the suction pipe are air-tight as well as water tight. If the suction pipe can suck air, the pump will not be able to pull water from the well.
 4. Adjust the pump mounting height so that the plumbing connections do not put a strain on the pump body. Support the pipe so that the pump body does not take the weight of piping or fittings.
- You have just completed the well plumbing for your new shallow well jet pump. Please go to discharge pipe and tank connections.



Shallow Well Installation (continued)

New Shallow Well Installation (Depth to Water 25 feet or less)



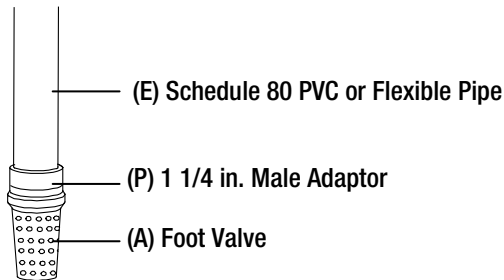
CAUTION: To avoid skin burns, unplug the pump and allow time for it to cool after periods of extended use.

1 Connecting (E) Schedule 80 PVC or Flex pipe to the (A) foot valve. Review local codes for pipe specifications.



WARNING: Read the cement instructions carefully and make sure the pipe connections are strong enough. This pump could build up to 70 psi pressure in the system. If the pipe joints are weak, the pipe and foot valve could pop out and fall into the well by the system high pressure.

- Subtract 5 ft. from the depth of your well. This is the total length of PVC or Flexible pipe.
- Connect one section of the PVC or Flexible pipe to foot valve.

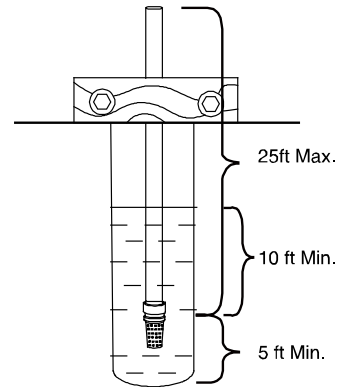


2 Slide the pipe assembly into your existing drilled well.

- Before sliding the pipe assembly into the well, firmly clamp the assembly with a pipe clamp (not included) to prevent the assembly from sliding down into the well.

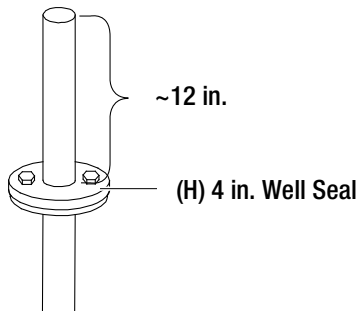


NOTE: DO NOT let the assembly slide down into the well.



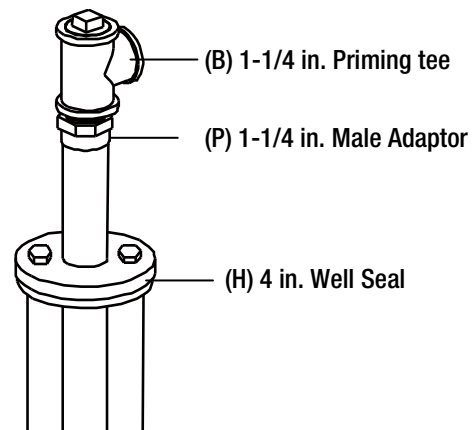
3 Slide a (H) 4 in. Well Seal over the (E) PVC or Flexible Pipe

- Remove the pipe clamp and slide the (H) 4 in. well seal (sold separately) over the PVC or Flexible pipe and onto the well casing (not shown).
- The PVC or Flexible Pipe should extend approximately 12 in. from the well seal, depending on the height of the pump placement.
- Tighten the well seal until the rubber gaskets are tight against the well casing and the PVC pipe.



4 Attach a (B) 1-1/4 in. priming tee with plug to the PVC or flexible pipe.

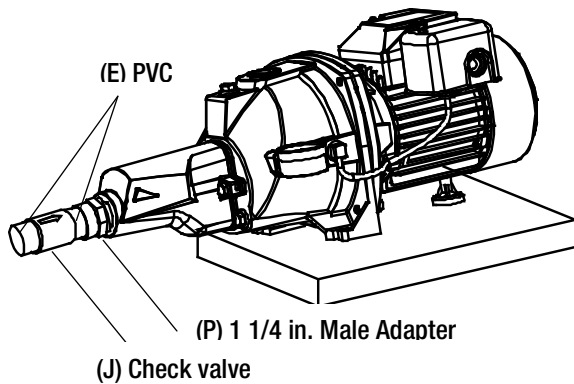
- Attach a (B) 1-1/4 in. priming tee with plug (sold separately) onto the rigid pipe extending from the well seal.



Shallow Well Installation (continued)

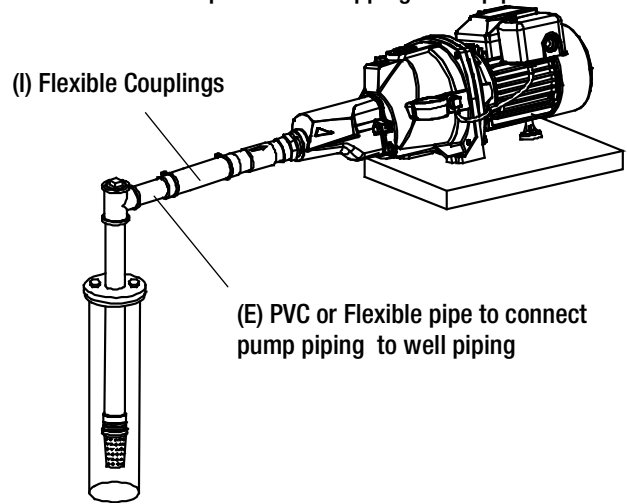
5 Connect the (E) PVC or flexible pipe to the pump inlet

- Position the pump as close to the well as possible.
- Connect a section of 1-1/4 in. PVC or Flexible pipe to the pump inlet.
- Attach a (J) 1-1/4 in. check valve (sold separately) to the other end of the PVC or Flexible pipe.
- Attach another section of 1-1/4 in. PVC or flexible pipe to the other end of the check valve.



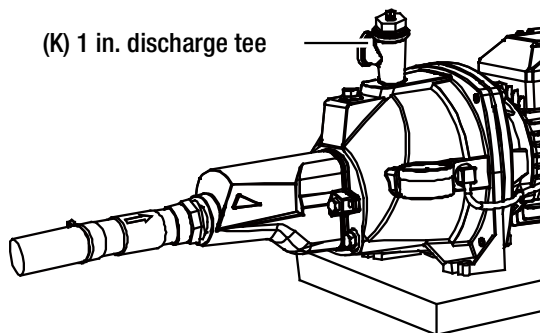
6 Connecting the PVC Pipe from the pump to the PVC Pipe coming from the well.

- Measure the distance from the PVC pipe extended from the check valve off the pump to the PVC pipe extending from the priming tee from the well. This will be the length of PVC or flexible pipe needed to connect the pump to the well.
- Using (I) Flexible PVC couplings, connect both ends of the PVC pipe to the pump and well end.
- Tighten the flexible pipe with clamps on each end.
- Ensure that the PVC or Flexible pipe slopes slightly downward toward the well to prevent air trapping in the pipe.



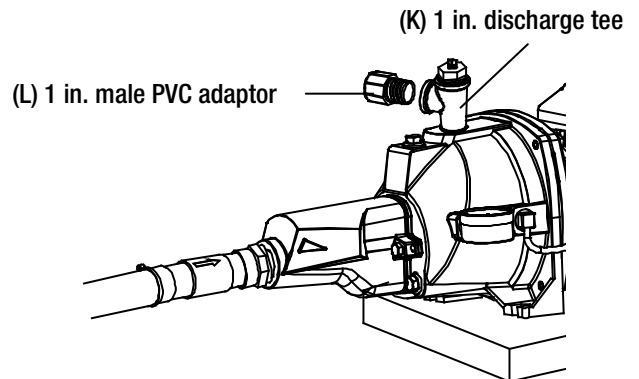
7 Connecting a (K) 1 in. discharge tee (sold separately) to the pump outlet

- Wrap thread tape around threads of a 1 in. discharge tee (sold separately).
- Using a pipe wrench, thread the 1 in. discharge tee into the discharge hole on the top of the pump.



8 Connecting a (L) 1 in. male PVC adaptor to the discharge tee on the pump outlet

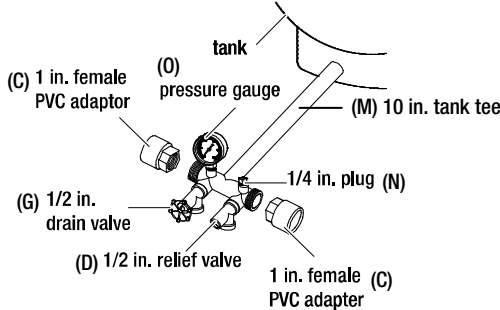
- Wrap thread tape around the threads of a 1 in. male PVC adaptor (sold separately).
- Thread the adaptor into the discharge tee.



Shallow Well Installation (continued)

9 Connecting a (M) 10 in. tank tee to the pressure tank (tank tee size may vary based on tank size)

- Wrap all threads on tank tee with thread tape.
- In order for the pump and the pressure tank (sold separately) to operate properly, the pressure tank must be drained of all water BEFORE INSTALLING TO THE PUMP.
- Thread a (M) 10 in. tank tee (sold separately) or recommended size based on pressure tank size.
- On the top of the tank tee that faces the pump system, plug the outlet with a (N) 1/4 in. plug (sold separately).
- On the opposite end of the tank tee install a (O) pressure gauge (sold separately) onto the outlet of the tank tee.
- On each side inlet of the tank tee, thread a (C) 1 in. female PVC adaptor.
- On the front of the tank tee that has the 1/4 in. plug, thread a (D) 1/2 in. relief valve (sold separately).
- On the front of the tank tee that has the pressure gauge, thread a (G) 1/2 in. drain valve (sold separately).

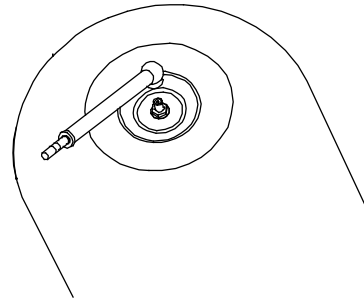


10 Checking the pressure in the tank

- Air pressure in the tank must be 2 psi lower than the "cut-in" of the pressure switch.



NOTE: The pump has a 30/50 PSI pressure switch, which means the "cut-in" is 30 PSI; therefore, the tank needs to be set to 28 PSI. To check the pressure in the tank, use a tire pressure gauge (not included). If the tank pre-charged less than 28 PSI, re-charge air to the tank to 28 PSI with a tire pump or air compressor. If the tank pre-charged over 28 PSI, bleed out some air to 28 PSI.

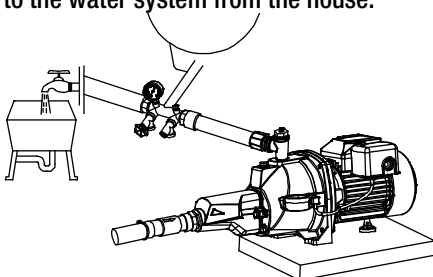


11 Connecting the piping from the pump to the tank system



CAUTION: Never install a shut-off valve between the pump and the tank, as this can cause excessive friction loss and can damage the pressure switch and/or pump. If necessary, only install a fully open gate valve (sold separately).

- Using PVC purple primer and PVC cement, attach a section of 1 in. PVC pipe (sold separately) as needed to connect the 1 in. male PVC adapter on the discharge tee to the 1 in. female PVC adapter on the tank tee.
- Attach another section of 1 in. PVC pipe (sold separately) as needed to connect the other 1 in. female PVC adapter on the tank tee to the water system from the house.



12 Priming the pump and rigid pipe



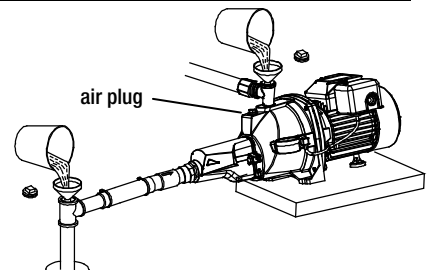
WARNING: If the pump's level is lower than the suction pipe, the air may trap in the pipe. The pump may not work properly.

- To prime, remove both: a. The two plugs from the top of the two discharge tees (water will be filled in here), and; b. The air plug in front of the discharge tee (this is to allow air to vent out while priming). Fill the two discharge tees with water until water overflows.



NOTE: It may take some time to fully fill the pipes and the pump completely. Keep watching the discharge tee water level and make sure the water level is stable and no air bubbles come out from the discharge tee.

- Wrap the two discharge tee plugs and air plug threads with thread tape and re-attach to the pump. Tighten with a wrench.



Shallow Well Installation (continued)

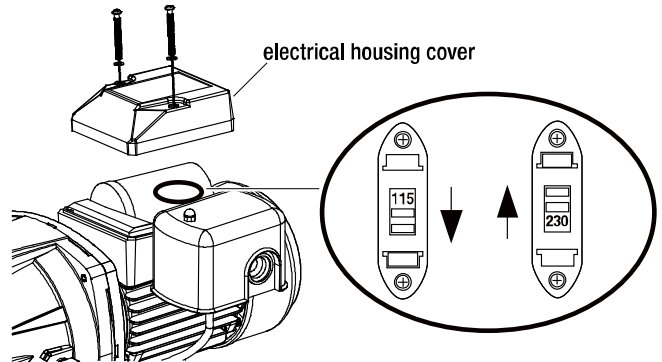
13 Voltage setting



WARNING: All electrical work should be performed by a licensed electrician.

- This pump is pre-wired at 230 volts.
- If the power source is 115 volts, remove the electrical housing cover.
- Flip the switch to 115 volts.
- Replace the cover.

Proceed to the Pressure Switch Assembly Instructions section below.



Pressure Switch Assembly Instructions



WARNING: Before wiring the pressure switch, turn off the power source to which you are connecting to avoid potentially life threatening electrical shock.



WARNING: When wiring from the power source to the pressure switch, it is recommended that you use either a 14-gauge or 12-gauge cord.

To complete the installation, you must connect the power source to the pressure switch. A 30/50 psi pressure switch has been installed on the pump. The pressure switch allows for automatic operation; the pump starts when pressure drops to the "cut-in" setting (30 psi pre-set).

To wire the pressure switch:

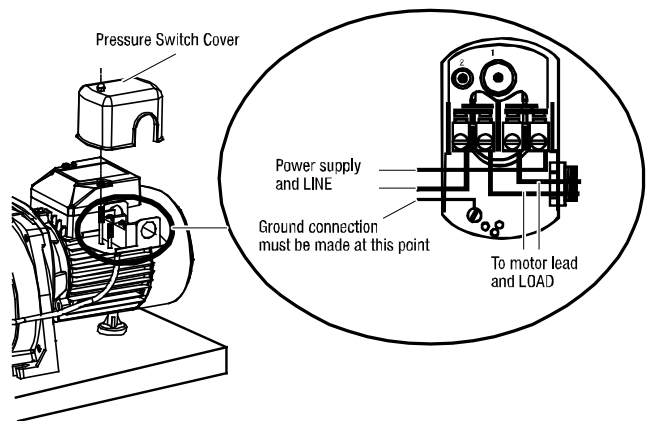
- Remove the pressure switch cover on pump to expose the wiring terminals.
- Connect the green ground wire of the power supply to the switch ground terminal.
- Connect the power supply wires to the two outside terminals marked "LINE" and replace the switch cover.



CAUTION: Do NOT use a pressure switch set at a pressure greater than 50 psi. The pump will not create pressures greater than 50 psi, if so the pump will never shut off, resulting in damage to the pump and voiding the warranty.



WARNING: It is recommended all electrical work be performed by a licensed electrician.



The pump is ready for use. Open a faucet near the pump. Turn on the pump. Water should come out from the faucet in a few minutes. If no water comes out, turn off the pump and re-prime water from the discharge tee.


For wells between 25 and 70 ft. in depth, deep well installations should be adapted. The deep well installations have one 1-1/4 in. pipe and one 1 in. pipe between the pump and ejector.


Deep Well Pump Replacement

MATERIALS REQUIRED (NOT INCLUDED)


Additional items needed	QTY	Internet #
(A) 1-1/4 in. Foot Valve	1	205618048
(B) 1-1/4 in. Priming Tee	1	100120387
(C) 1 in. Female PVC adaptor	4	100347423
(D) 1/2 in. pressure relief valve	1	205149183
(E) 1-1/4 in. Schedule 80 PVC Pipe (or Flex Pipe)		100182626
(F) 1-1/4 in. Coupling (required if using PVC pipe)		203811387
(G) 1/2 in. x 1/2 in. Drain valve	1	205812176
(H) 4 in. Well Seal	1	300494432
(I) 1-1/4 in. Flexible PVC Coupling (required is using PVC pipe)	1	100055392
(L) 1 in. Male Adaptor	1	100344011

Additional items needed	QTY	Internet #
(M) 10 in. Tank Tee (or recommended size based on tank size)	1	205618015
(N) 1/4 in. Plug	1	100204497
(O) 2 in. Pressure gauge 0-100 psi	1	205962440
(P) 1-1/4 in. Male Adaptor	4	203811644
(Q) 1 in. Schedule 80 PVC Pipe of Flexible Pipe		202280936
(R) 1 in. PVC elbow	1	100346841
(S) 1 in. PVC coupling		100343722
(T) 1 in. x 3 in. nipple	2	100191626
(U) 1-1/4 in. x 4 in. Galvanized Steel Nipple	1	100209692
(V) 1 in. Flexible PVC Coupling (required is using PVC pipe)	1	202245805


 **WARNING:** All joints and connections must be **AIRTIGHT**. A single leak will prevent the proper operation of the pump. Wrap thread tape clockwise on all threaded connections. For all non-threaded connections, you must use PVC purple primer and PVC cement to ensure airtight seals. Measure all pipe lengths before attaching.

 **NOTE:** The ejector kit from the factory is for shallow well application. For deep well installation, the venturi tube (B) (J32P-18/#11) and nozzle (C) (#02) have to be installed.

REPLACING AN EXISTING PUMP

 **WARNING:** Risk of electric shock. Can shock, burn or kill. Disconnect power to pump before working on pump or motor.

1. Drain and remove the old pump and the ejector in the well. Check pipe for scale, lime, rust, etc., and replace it if necessary.


 **NOTE:** Your old ejector (in the well) can't be properly matched to your new pump. You must use the included ejector to your new pump.


2. Refer the following instruction to finish the new pump installation.

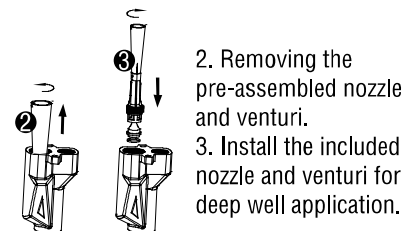
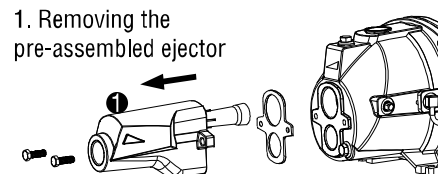
NEW DEEP WELL INSTALLATION (4 in. OR LARGER WELL)

1 Removing the pre-assembled nozzle and venturi

- Removing the pre-assembled ejector first then removing the pre-assembled nozzle and venturi.

 **NOTE:** SKU 1001 480 251, Turn the venturi tube (#13) counter clockwise. Remove the venturi tube (#13) and nozzle (#04) with an O-ring from the ejector.

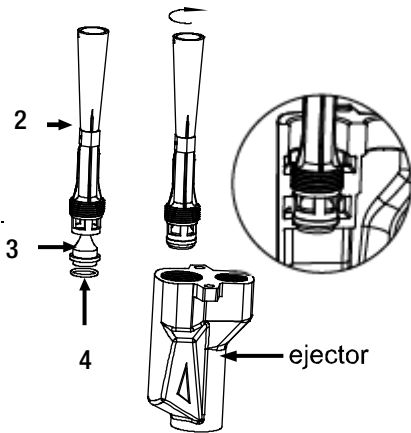
 **NOTE:** SKU 1001 480 255, Turn the venturi tube (#14) counter clockwise. Remove the venturi tube (#14) and nozzle (#04) with an O-ring from the ejector.



Deep Well Installation (continued)

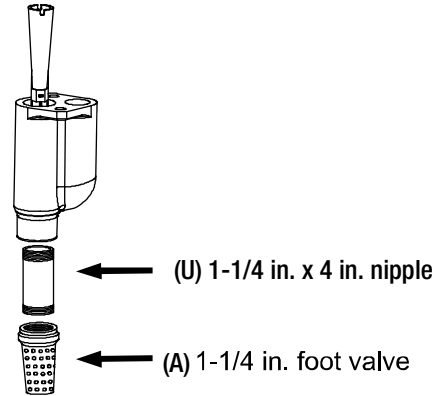
2 Attaching the nozzle and venturi to the ejector

- Wrap the threads of the venturi tube (2) (J32P-18/#11) with thread tape.
- Attach the O-ring (4) on the nozzle (3) (#02) and screw the nozzle (3) (#02) into the venturi tube (2) (J32P-18/#11).
- Attach the venturi tube (2) (J32P-18/#11) with the nozzle (3) and O-ring (4) to the Ejector.



3 Connecting the (A) foot valve to the ejector

- Wrap both ends of a (U) 1-1/4 in. x 4 in. nipple (sold separately), with tread tape.
- Thread the nipple into the (A) 1-1/4 in. foot valve (sold separately).
- Thread the other end of the nipple into the bottom of the ejector.
- Hand tighten, and then tighten 1-1/2 turn with a pipe wrench.

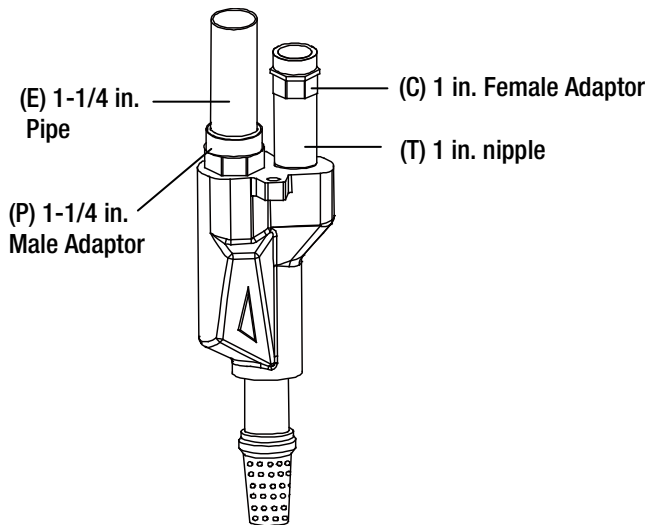


4 Connecting the Ejector to the (T) 1 in. nipple or Flexible pipe, and (E) 1-1/4 in. Schedule 80 PVC or Flexible pipe to the ejector

- Connect two pipes (1 in. drive, 1-1/4 in suction) to the ejector.

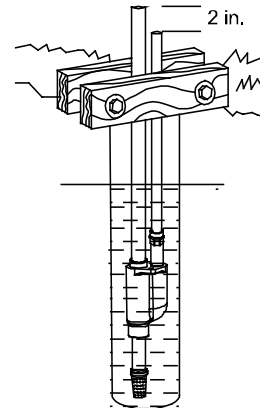


NOTE: If use PVC pipe to connect, a 1 in. x 3 in. nipple is required.



5 Sliding the pipe assembly into the well

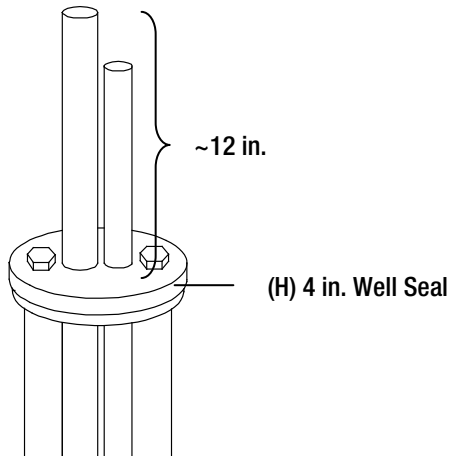
- Before sliding the pipe assembly into the well, firmly clamp the assembly with a pipe clamp (not included) to prevent the assembly from sliding down into the well.
- Keep the 1 in. pipe 2 in. shorter than the 1-1/4 in. pipe.
- The amount of PVC pipe or flexible pipe is based on well depth to water



Deep Well Installation (continued)

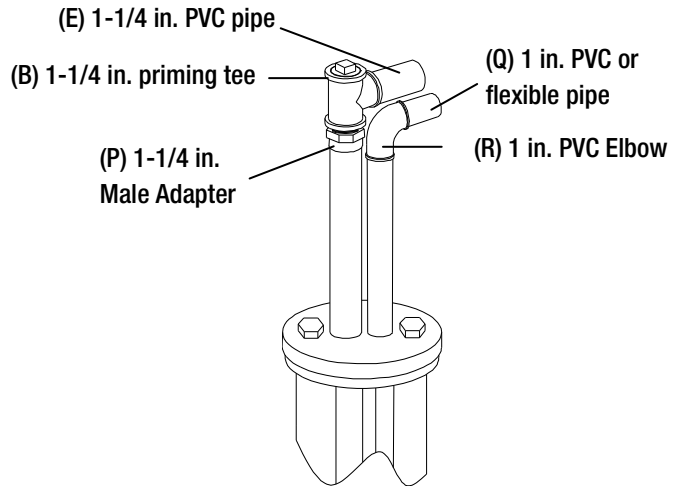
6 Slide a (H) 4 in. Well Seal over the (E) PVC or Flexible Pipe

- Remove the pipe clamp and slide the (H) 4 in. well seal (sold separately) over the PVC or Flexible pipe and onto the well casing (not shown).
- The PVC or Flexible Pipe should extend approximately 12 in. from the well seal, depending on the height of the pump placement.
- Tighten the well seal until the rubber gaskets are tight against the well casing and the PVC pipe.



7 Attaching a (R) 1 in. PVC elbow and (B) 1-1/4 in. priming tee to the PVC or flexible pipe

- Attach a (R) 1 in. PVC elbow and a (B) 1-1/4 in. priming tee (both facing the pump) to the pipes extending from the well.
- Attach (Q) 1 in. PVC or flexible pipe to 1 in. elbow.
- Attach (P) 1-1/4 in. Male adaptor to the 1-1/4 in. PVC pipe from well.
- Attach (E) 1-1/4 in. PVC or flexible pipe to 1-1/4 in. priming tee.

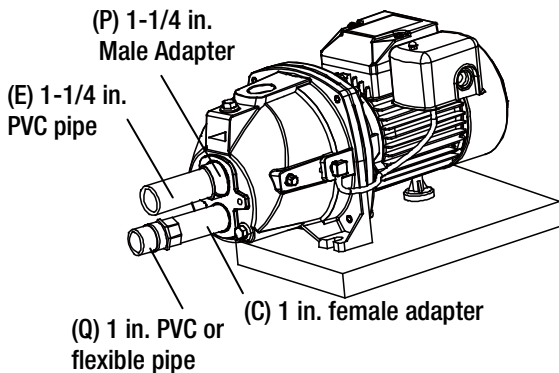


8 Connecting rigid pipe to the pump body

- Position the pump as close to the well as possible.
- Attach two sections of PVC or flexible pipe to the pump body (Q) 1 in. drive, and (E) 1-1/4 in. suction.

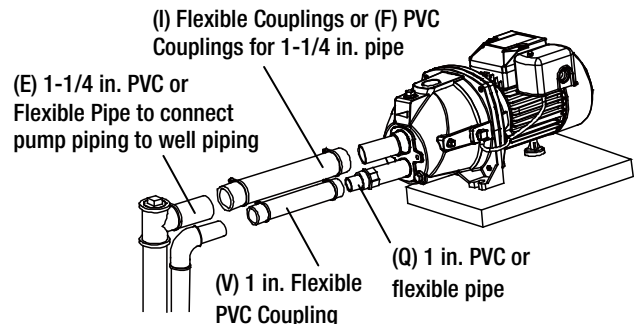


NOTE: If using PVC pipe to connect, a 1 in. x 3 in. nipple is required.



9 Connecting the pipes from the well to the pump

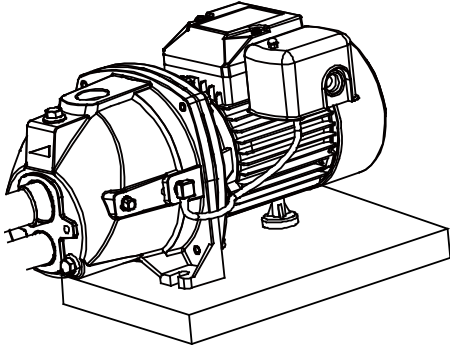
- Measure the distance from the PVC pipe extended from the check valve off the pump to the PVC pipe extending from the priming tee from the well. This will be the length of PVC or flexible pipe needed to connect the pump to the well for both 1 in. and 1-1/4 in. pipe.
- Using (I) Flexible PVC couplings or (F) PVC couplings to connect both ends of the 1-1/4 in. PVC pipe to the pump and well end. Use the (S) 1 in. PVC coupling to connect both ends of the 1 in. PVC pipe to the pump and well end.
- Tighten the flexible pipe with clamps on each end.
- Ensure that the PVC or Flexible pipe slopes slightly downward toward the well to prevent air trapping in the pipe.



Deep Well Installation (continued)

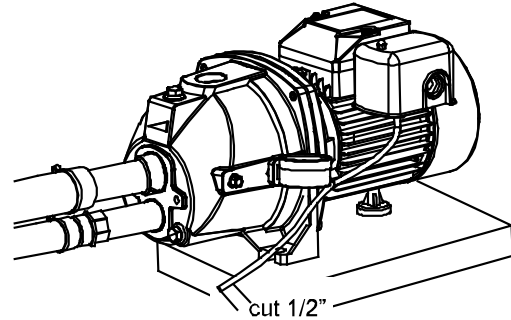
10 Removing the elbow insert from the pump body

- Pull out the pressure tube from the 90° elbow insert.
- Unthread and remove the elbow insert from the pump body.



11 Connecting the pressure gauge to the elbow insert hole

- Wrap the threads of the 1/4 in. pressure gauge (included) with thread tape and thread it in the elbow insert hole.
- Cut off the expanded portion of the pressure tube.



12 Priming the pipe & pump

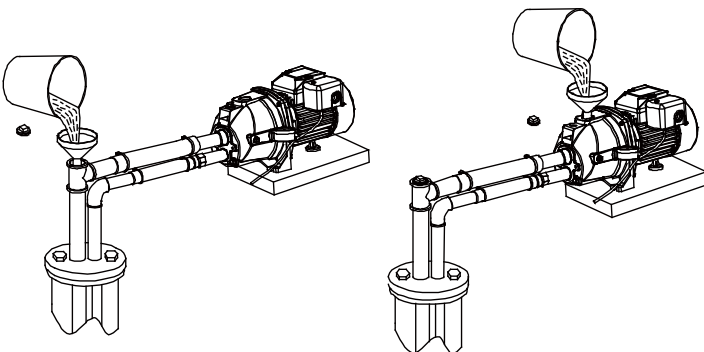
- Fill the pipe with water until water overflows. Replace the plug back to the tee.
- Fill the pump with water until water overflows.



NOTE: It may take several minutes to fill the pipes and the pump completely.



NOTE: If the pump does not hold its prime, inspect all pipes and connections for leaks, and repair the leaks.



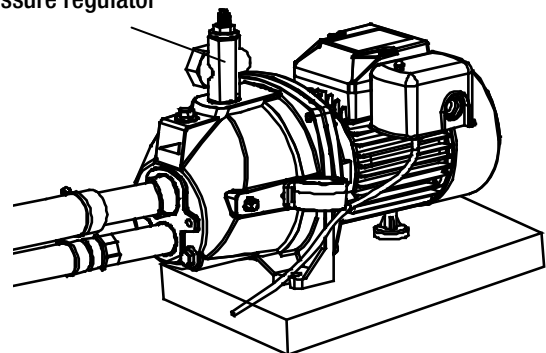
13 Connecting the pressure regulator to the pump

- Wrap thread tape around the threads of a 1 in. pressure regulator.
- Using a pipe wrench, thread the 1 in. pressure regulator into the top of the pump.



NOTE: This pressure regulator is a normally-closed valve installed at the discharge of the pump to provide an obstruction to flow and thereby regulate the pump pressure and provide back pressure for the ejector. Failure to use this item may result in a loss of prime and/or a low pressure.

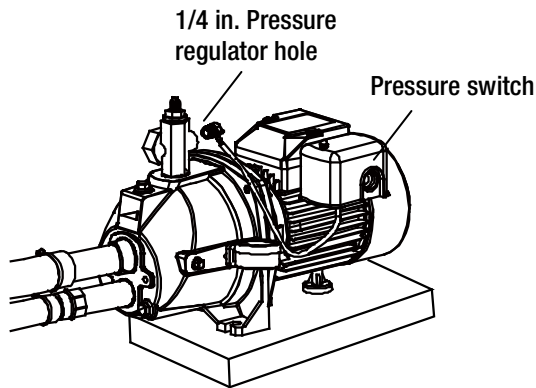
Pressure regulator



Deep Well Installation (continued)

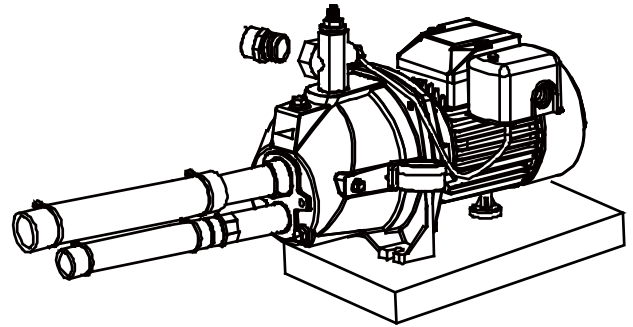
14 Connecting the brass elbow to the pressure regulator

- Thread the 1/4 in. disassembled elbow insert into the 1/4 in. hole on the side of the pressure regulator.
- Slide the pressure tubing (attached with the pump pressure switch or included in regulator kit) over the 1/4 in. brass elbow and the pressure switch connector.



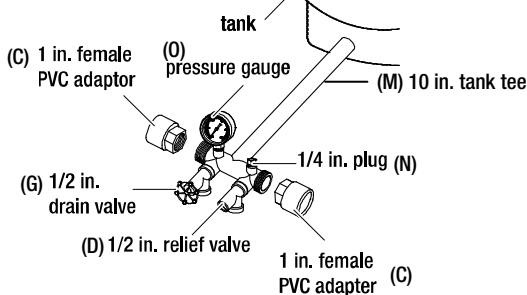
15 Connecting the PVC adapter to the pressure regulator

- Wrap thread tape around the threads of a 3/4 in. MNPT x 1 in. slip PVC adapter (sold separately).
- Thread the adapter into the pressure regulator.



16 Connecting a (M) 10 in. tank tee to the pressure tank (tank tee size may vary based on tank size)

- Wrap all threads on tank tee with thread tape.
- In order for the pump and the pressure tank (sold separately) to operate properly, the pressure tank must be drained of all water **BEFORE INSTALLING TO THE PUMP**.
- Thread a (M) 10 in. tank tee (sold separately) or recommended size based on pressure tank size.
- On the top of the tank tee that faces the pump system, plug the outlet with a (N) 1/4 in. plug (sold separately).
- On the opposite end of the tank tee install a (O) pressure gauge (sold separately) onto the outlet of the tank tee.
- On each side inlet of the tank tee, thread a (C) 1 in. female PVC adaptor.
- On the front of the tank tee that has the 1/4 in. plug, thread a (D) 1/2 in. relief valve (sold separately).
- On the front of the tank tee that has the pressure gauge, thread a (G) 1/2 in. drain valve (sold separately).

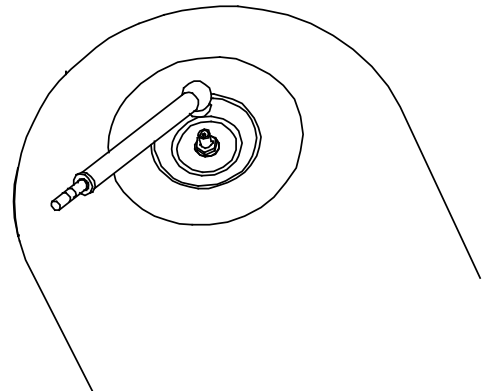


17 Checking the pressure in the tank

- Air pressure in the tank must be 2 psi lower than the "cut-in" of the pressure switch.



NOTE: The pump has a 30/50 PSI pressure switch, which means the "cut-in" is 30 PSI; therefore, the tank needs to be set to 28 PSI. To check the pressure in the tank, use a tire pressure gauge (not included). If the tank pre-charged less than 28 PSI, re-charge air to the tank to 28 PSI with a tire pump or air compressor. If the tank pre-charged over 28 PSI, bleed out some air to 28 PSI.



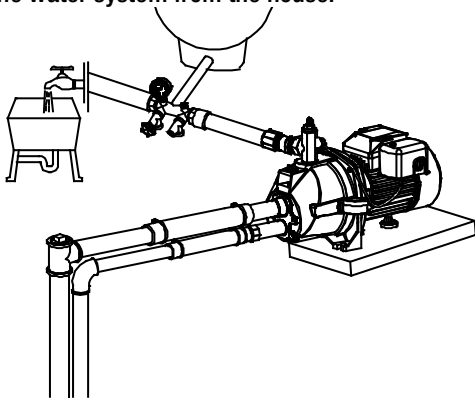
Deep Well Installation (continued)

18 Connecting the pump with the water system



CAUTION: Never install a shut-off valve between the pump and the tank, as this can cause excessive friction loss and can damage the pressure switch and/or pump. If necessary, only install a fully open gate valve (sold separately).

- Using PVC purple primer and PVC cement, attach a section of 1 in. PVC pipe (sold separately) as needed to connect the 3/4 in. MNPT x 1 in. slip PVC adapter in the pressure regulator.
- Attach another section of 1 in. PVC pipe (sold separately) as needed to connect the other 1 in. female PVC adapter on the tank tee to the water system from the house.

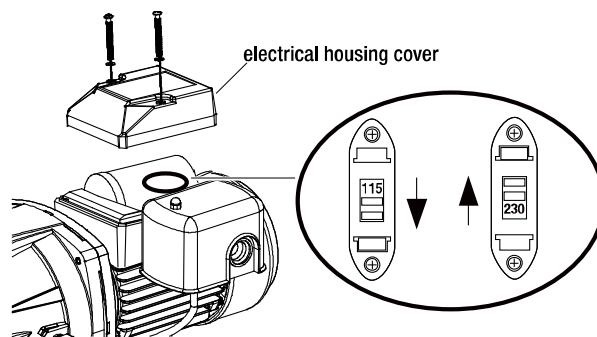


19 Voltage setting



WARNING: All electrical work should be performed by a licensed electrician.

- This pump is pre-wired at 230 volts.
- If the power source is 115 volts, remove the electrical housing cover.
- Flip the switch to 115 volts.
- Replace the cover.

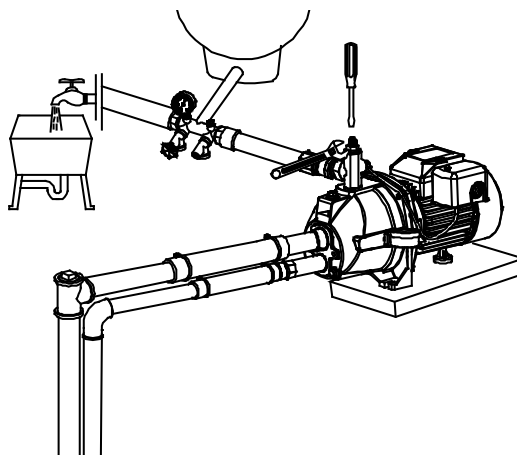


20 Setting pressure regulator

- Turn the regulator adjustment screw down tight.
- Turn on pump.
- If the pump is properly primed, a high pressure will immediately show on the pressure gauge.
- With the pump operating at high pressure, slowly unscrew the adjusting screw until maximum water flow is obtained without pressure dropping to zero.
- If pressure falls completely, retighten the screw and readjust it.
- If no pressure shows, stop the pump, remove the pressure regulator from pump, add more water, and try again.
- After the adjusted bolt is set up, lock the screw nut on the bolt.
- The pump is ready for use.



NOTE: The pressure regulator screw is very tight. A big screw driver needed.



Proceed to the Pressure Switch Assembly Instructions section on page 10 of this manual.

Troubleshooting

Do

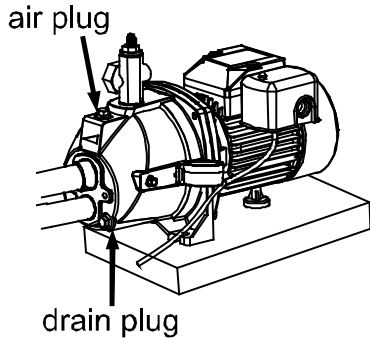
- Remove the drain plug (located on the front of the pump close to the inlet hole) and air plug (located on the top of the pump close to the outlet hole) to vent the system.
- Drain all piping to a point below the freeze line.



NOTE: While this will drain the pump, it will not necessarily drain all the unprotected parts of the piping system. To drain the tank, disconnect the piping at the tank outlet.

Do Not

- Do not disassemble the motor housing. This motor has NO repairable internal parts, and disassembly may cause dangerous electrical wiring issues.



Problem	Possible Cause	Corrective Action
Pump humming.	<ol style="list-style-type: none"> 1. The motor shaft stuck. 2. Selected wrong voltage. 	<ol style="list-style-type: none"> 1. 1.1 Please use a flat head screw driver to turn the motor shaft through the center hole on the motor cap. Then restart the pump. 1.2 Clean impeller and diffuser. 2. Pump was pre-set at 230V. Refer to manual for set voltage to 115V.
Does not pump water or low flow.	<ol style="list-style-type: none"> 1. Air in piping or did not prime. 2. The water level in the well is below the foot valve. 3. The foot valve is plugged or leaks. 4. Impeller or nozzle blocked by foreign material. 	<ol style="list-style-type: none"> 1. Stop the motor. Remove the pressure gauges or prime plug. Fill the housing pipes with water. 2. Lower the suction pipe. If the water level is more than 25 ft., you need a deep well pump. 3. Replace the foot valve or dig the well deeper. 4. Clean impeller and nozzle.
Pump does not stop or pressure does not build up.	<ol style="list-style-type: none"> 1. Impeller or nozzle blocked by foreign material. 2. There is a leak in the house piping. 	<ol style="list-style-type: none"> 1. Clean impeller and nozzle. 2. Locate and repair the leak or reconnect.
The pump starts and stops too often.	<ol style="list-style-type: none"> 1. Pressure in pre-charged tank is not correct. 2. The pressure switch malfunctioning. 3. There is a ruptured diaphragm/bladder (pre-charged tank). 	<ol style="list-style-type: none"> 1. Ensure the pressure in the pre-charged tank is set to 2 PSI less than the cut-in pressure. 2. Replace the pressure switch . 3. Replace the tank.



Questions, problems, missing parts? Before returning to the store call
Everbilt Customer Service
8 a.m. - 6 p.m., EST, Monday-Friday

1-844-241-5521

WWW.HOMEDEPOT.COM