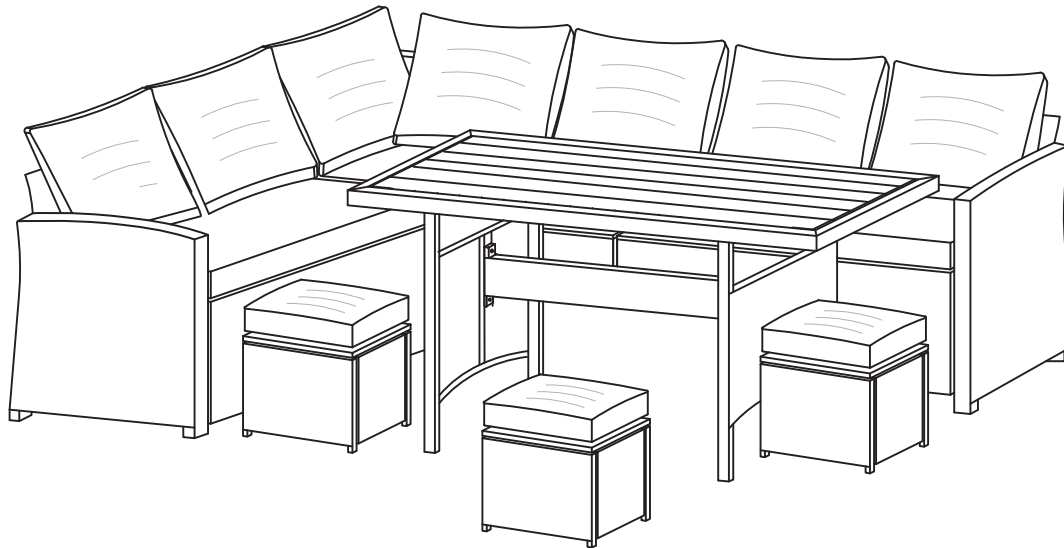


PE Rattan Furniture Set_SS16076

Assembly Instructions




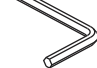


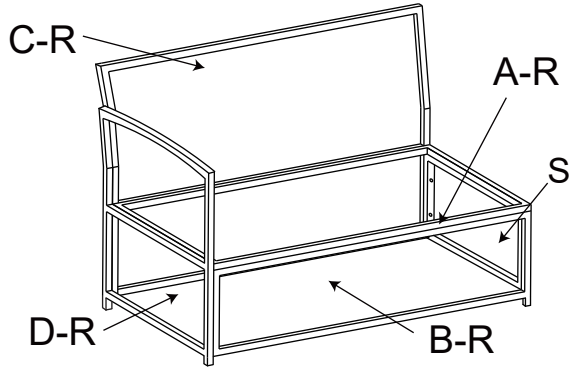
Attention

Thanks for choosing our product.

1. There will be four boxes in total for this whole product. Before assembling, please check you receive all the parts listed below. If there is any missing or damaged part, or if you have any question, please feel free to contact our service team for help.
2. Two persons are recommended to assemble the set.
3. Recommend to use waterproof furniture cover for entire furniture set when it is used outdoor to keep them longer lifetime.
4. Sofa cushion covers can be removed and cleaned up by cleaner when there are stains.

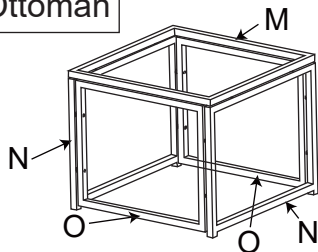
Package A Parts List

2  M6x30mm 12PCS	3  M6x35mm 15PCS	6  M6 27PCS	8  M6 1PC
--	--	---	---

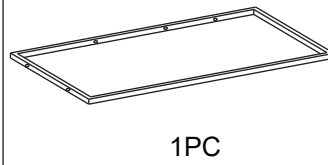


Right Corner Sofa

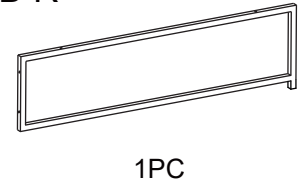
Ottoman



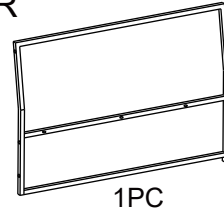
A-R



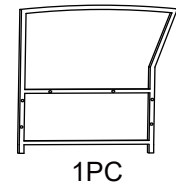
B-R



C-R



D-R



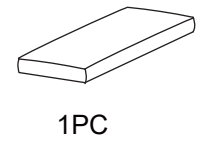
S



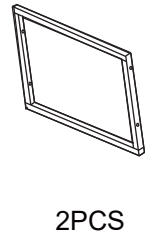
Q



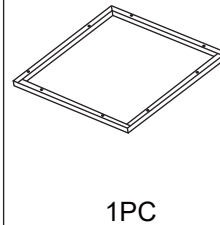
R



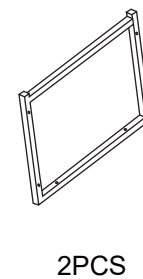
O



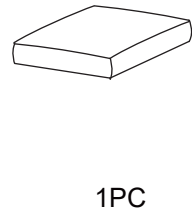
M







N

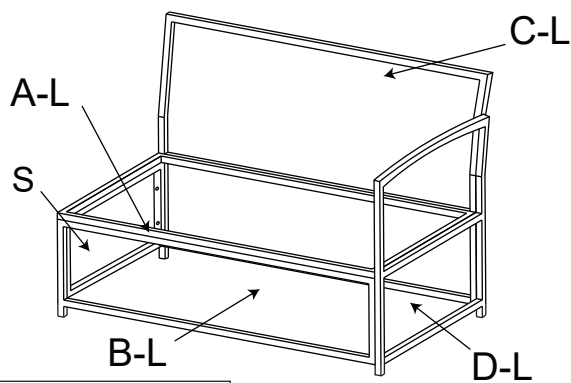


P



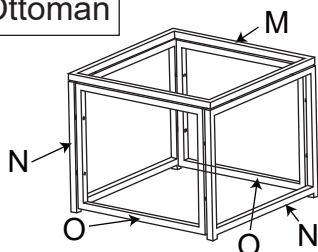
Package B Parts List

2  M6x30mm 12PCS	3  M6x35mm 15PCS	6  M6 27PCS	8  M6 1PC
--	--	---	---

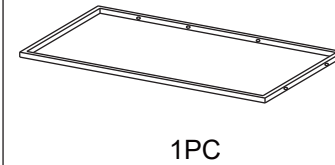


Left Corner Sofa

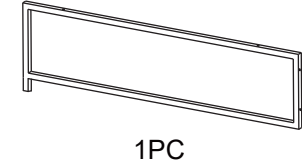
Ottoman



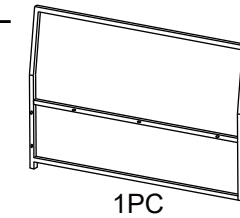
A-L



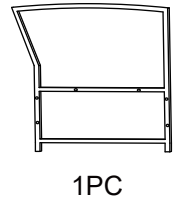
B-L



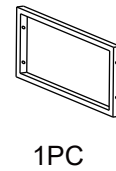
C-L



D-L



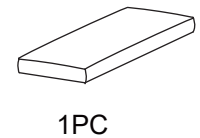
S



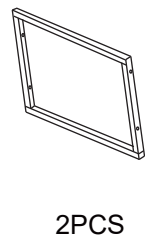
Q



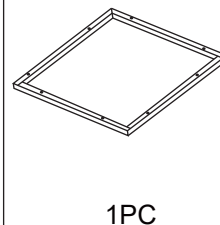
R



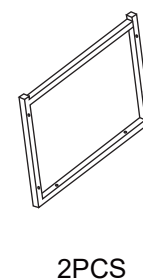
O



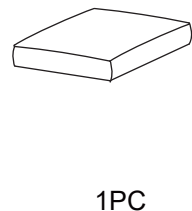
M






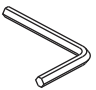

N

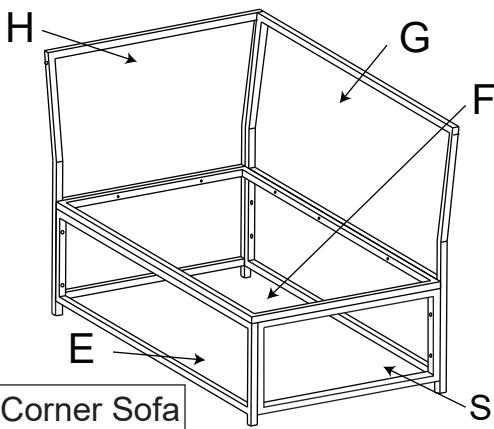


P

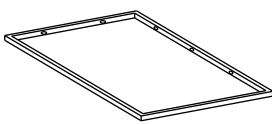
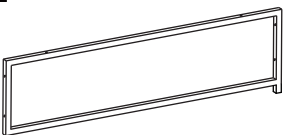
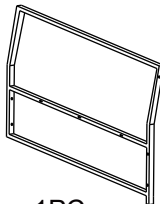
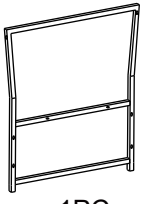
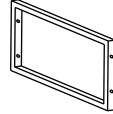
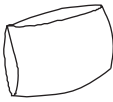
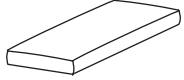


Package C Parts List




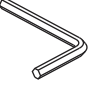

3  M6x35mm 15PCS	4  M6x45mm 1PC	6  M6 16PCS	8  M6 1PC	9  1PC
--	--	---	---	---

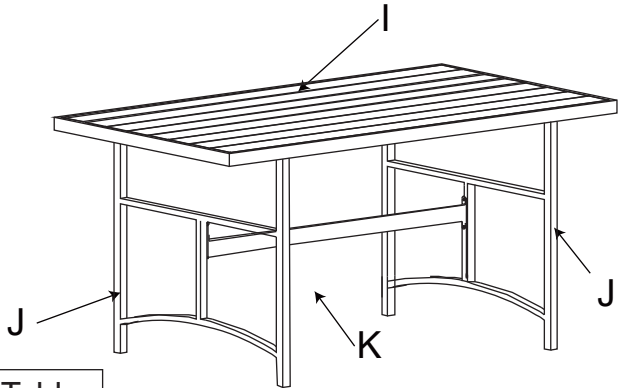


Middle Corner Sofa

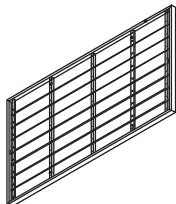
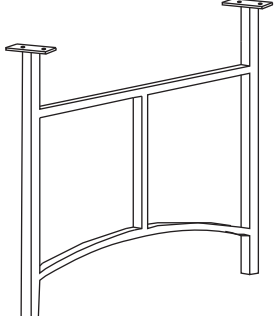
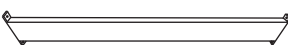
F  1PC	E  1PC	
G  1PC	H  1PC	
S  1PC	Q  3PCS	R  1PC

Package D Parts List

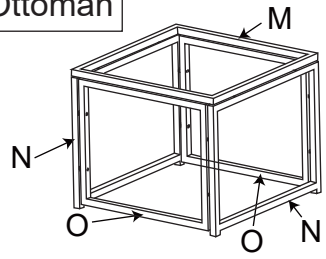
1  M6x20mm 12PCS	2  M6x30mm 12PCS	6  M6 24PCS	8  M6 1PC	10  Clip 4PCS
--	--	---	---	---

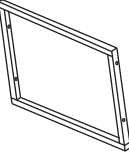
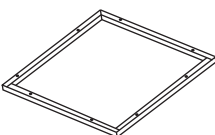
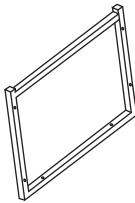



Table

I  1PC	J  2PCS
K  1PC	

Ottoman

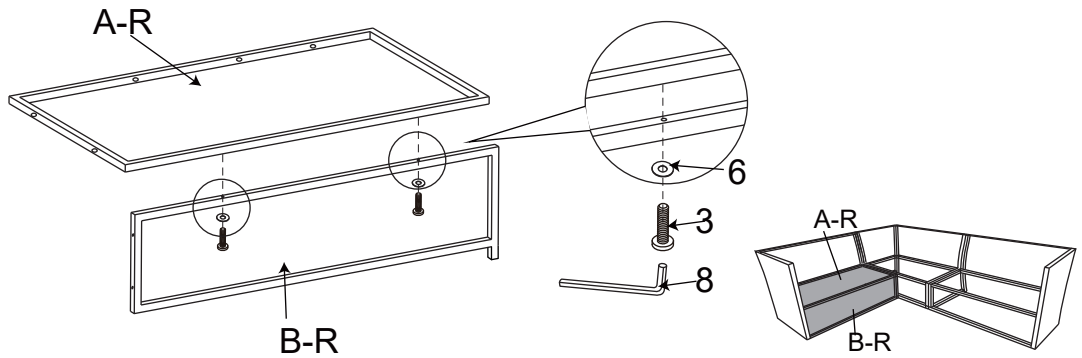


O  2PCS	M  1PC	N  2PCS	P  1PC
--	--	--	---

Right Corner Sofa

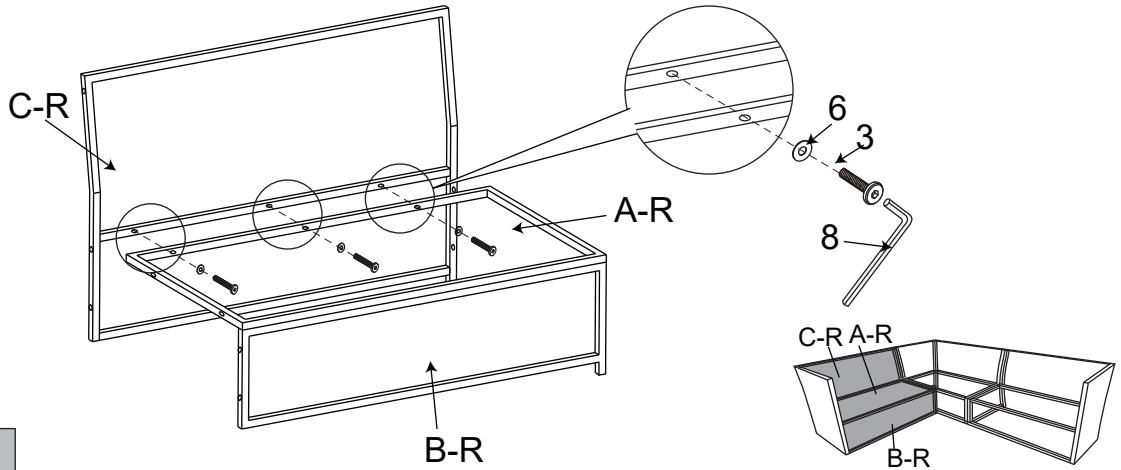
STEP1

- 3
M6x35mm
2PCS
- 6
M6
2PCS



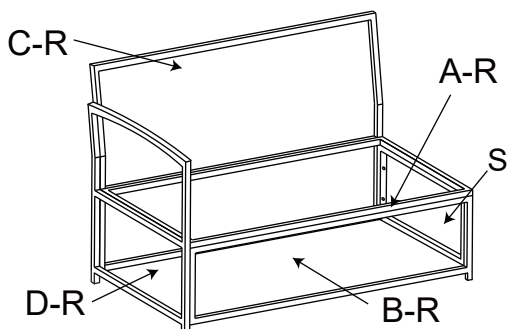
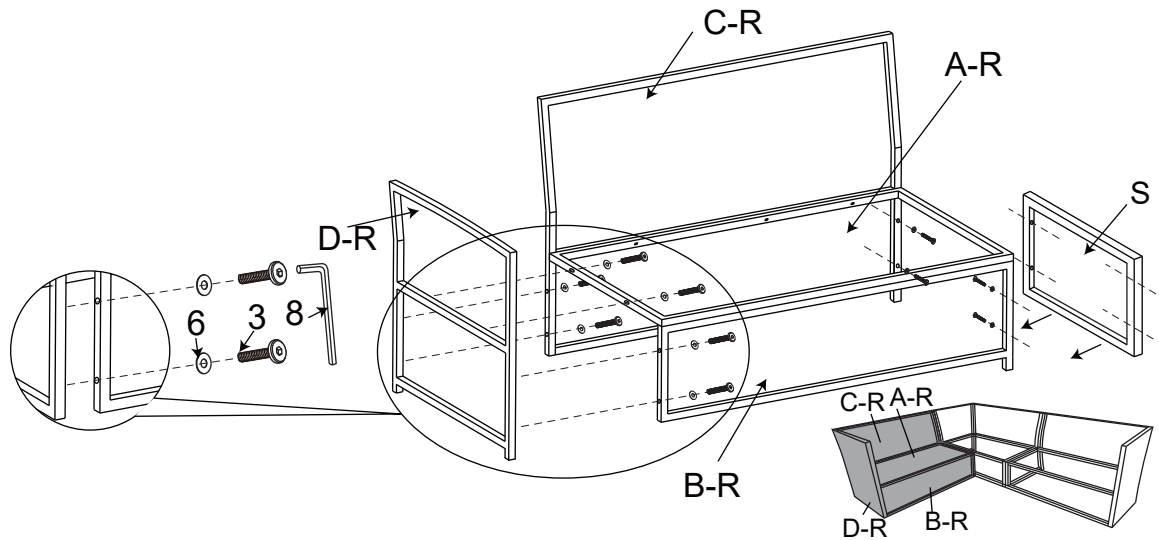
STEP2

- 3
M6x35mm
3PCS
- 6
M6
3PCS



STEP3

- 3
M6x35mm
10PCS
- 6
M6
10PCS



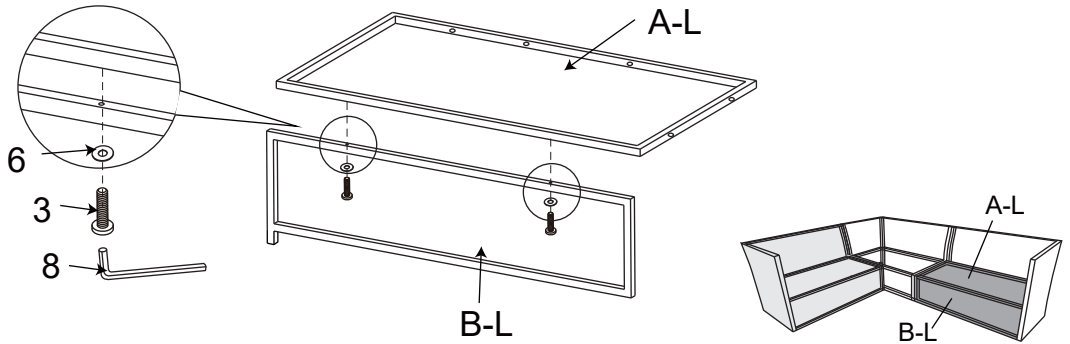
Right Corner Sofa

Warning: Pls put the screws in the screw holes first, don't tighten them, and then tighten them together after they are all aligned.

Left Corner Sofa

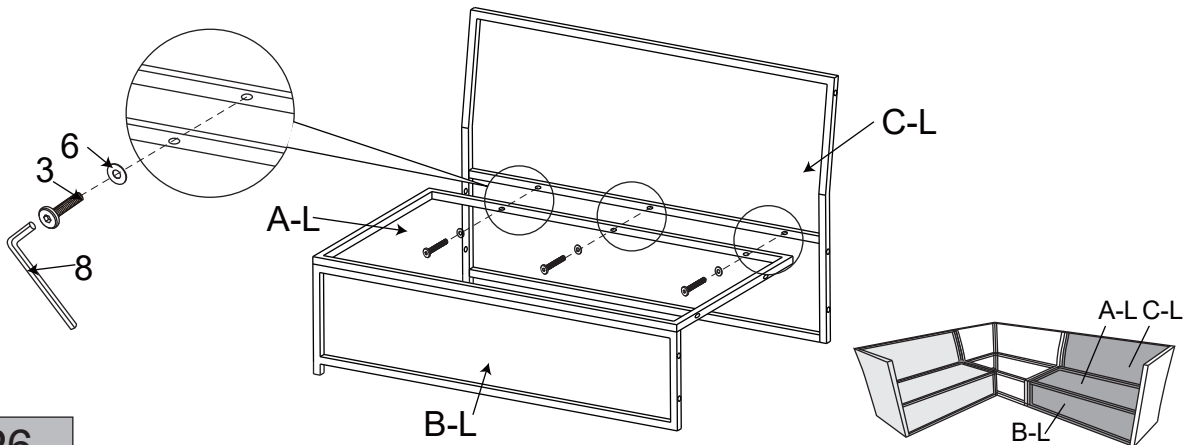
STEP4

- 3
M6x35mm
2PCS
- 6
M6
2PCS



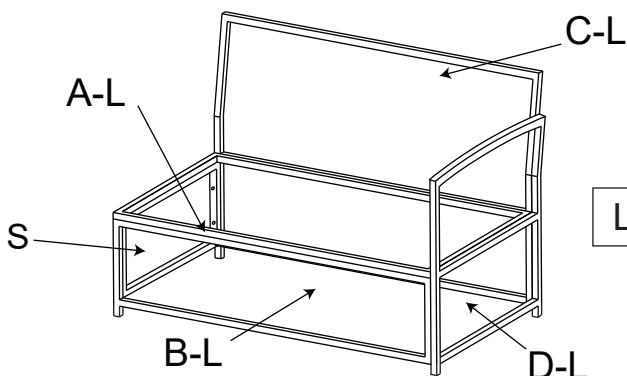
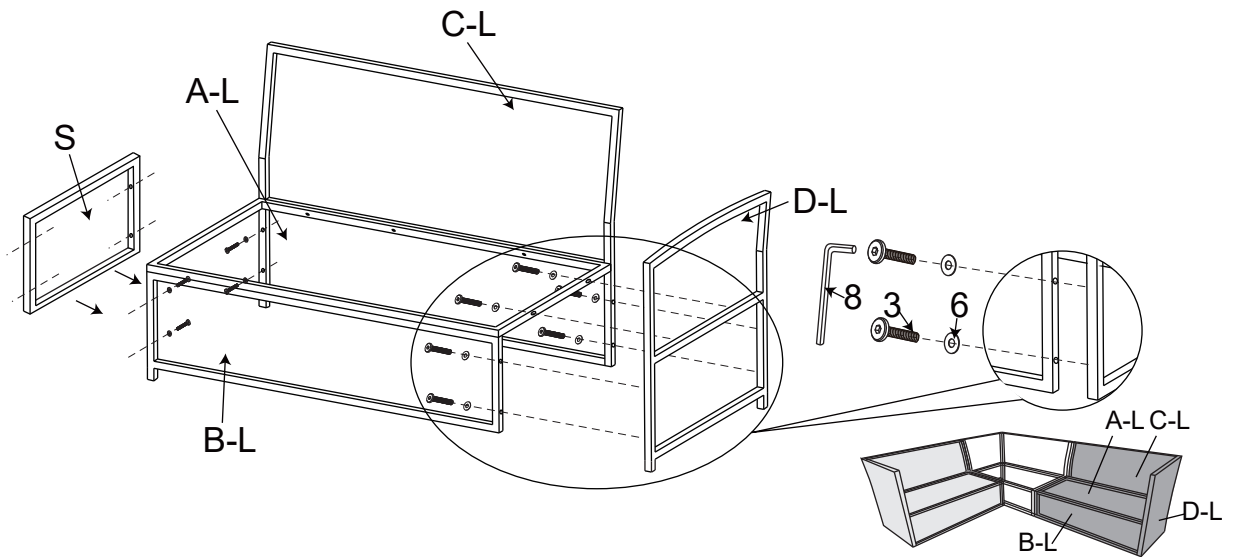
STEP5

- 3
M6x35mm
3PCS
- 6
M6
3PCS



STEP6

- 3
M6x35mm
10PCS
- 6
M6
10PCS

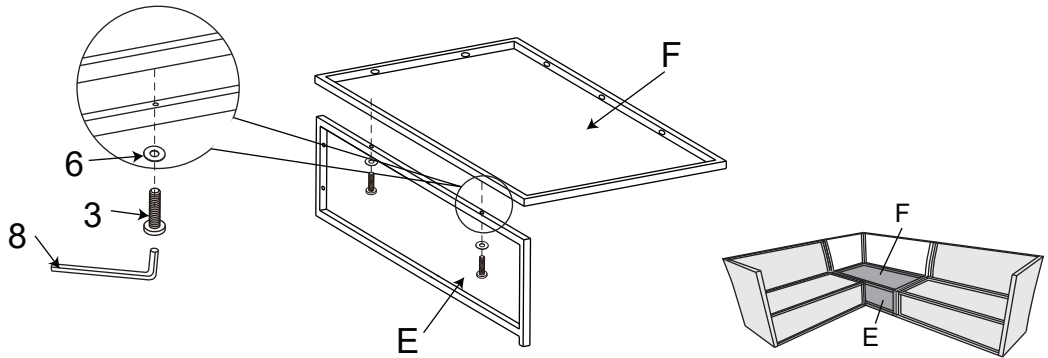


Warning: Pls put the screws in the screw holes first, don't tighten them, and then tighten them together after they are all aligned.

Middle Corner Sofa

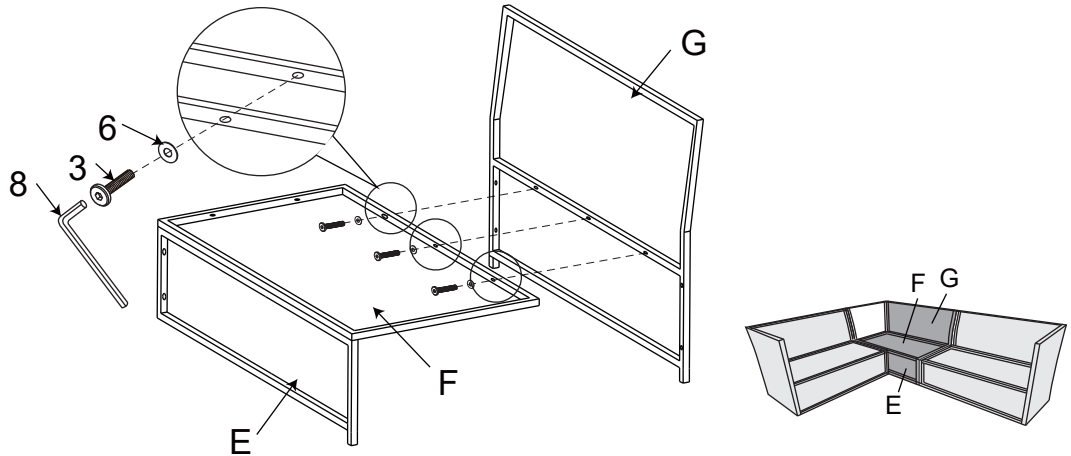
STEP 7

- 3
M6x35mm
2PC
- 6
M6
2PC



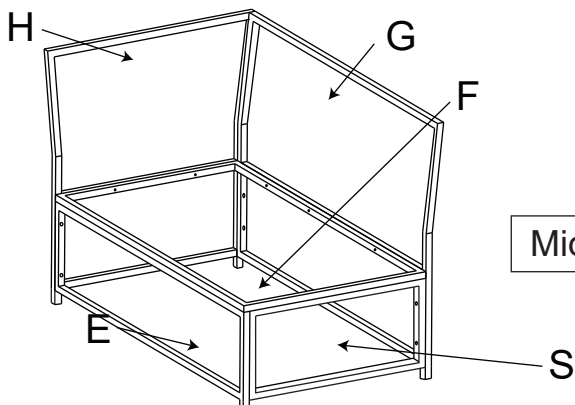
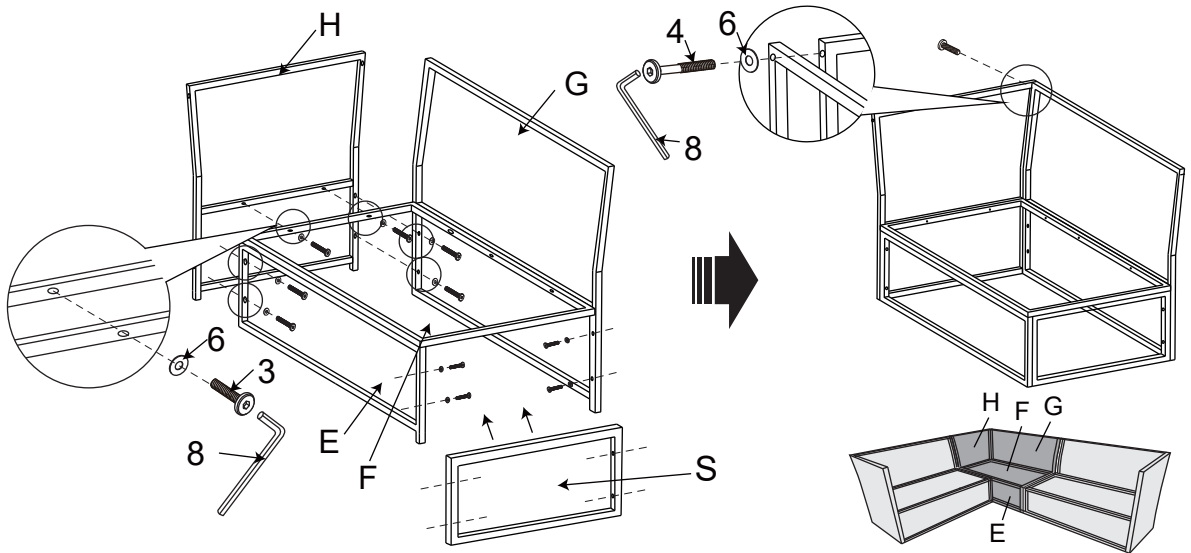
STEP 8

- 3
M6x35mm
3PCS
- 6
M6
3PCS



STEP 9

- 3
M6x35mm
10PCS
- 4
M6x45mm
1PC
- 6
M6
11PCS

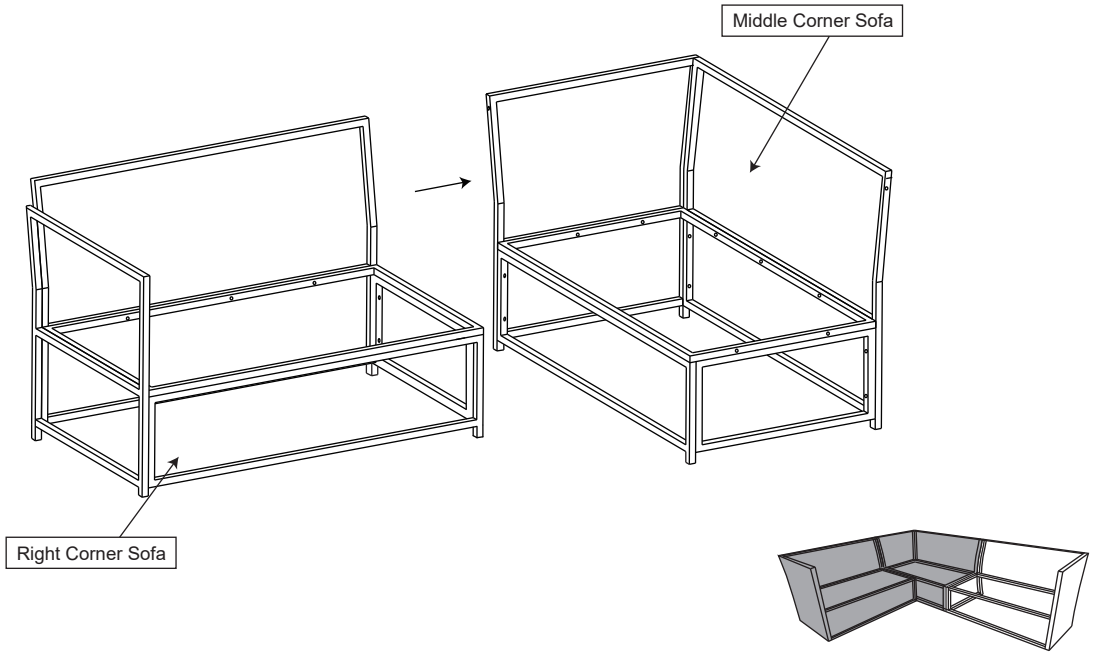


Middle Corner Sofa

Warning: Pls put the screws in the screw holes first, don't tighten them, and then tighten them together after they are all aligned.

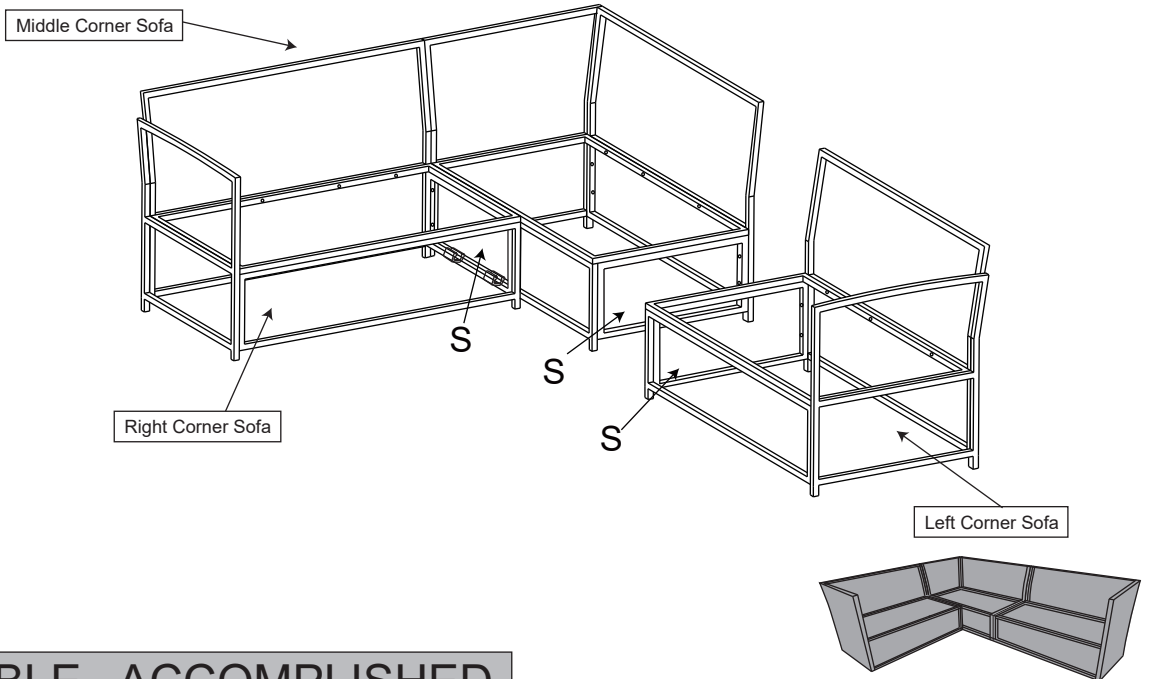
STEP10

10

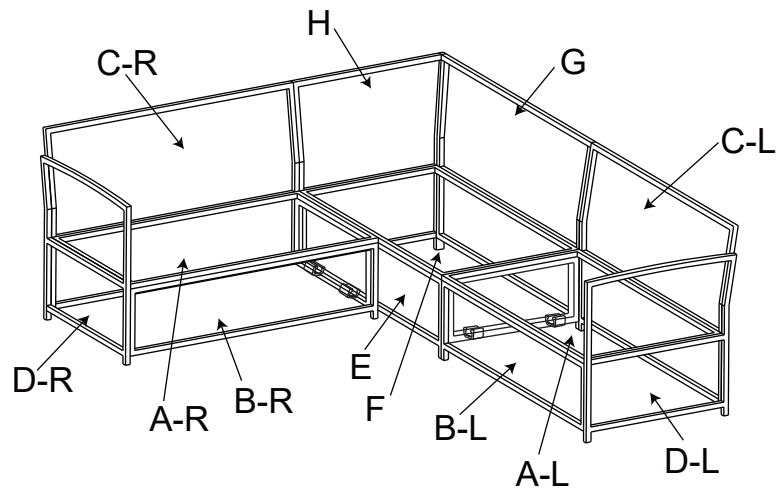


STEP11

10



ASSEMBLE ACCOMPLISHED

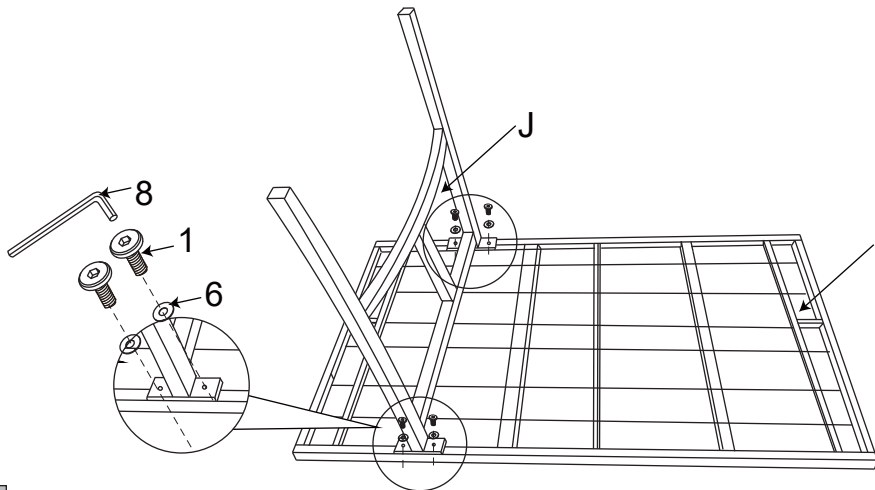


Table

STEP 1

1
M6x20mm
4PCS

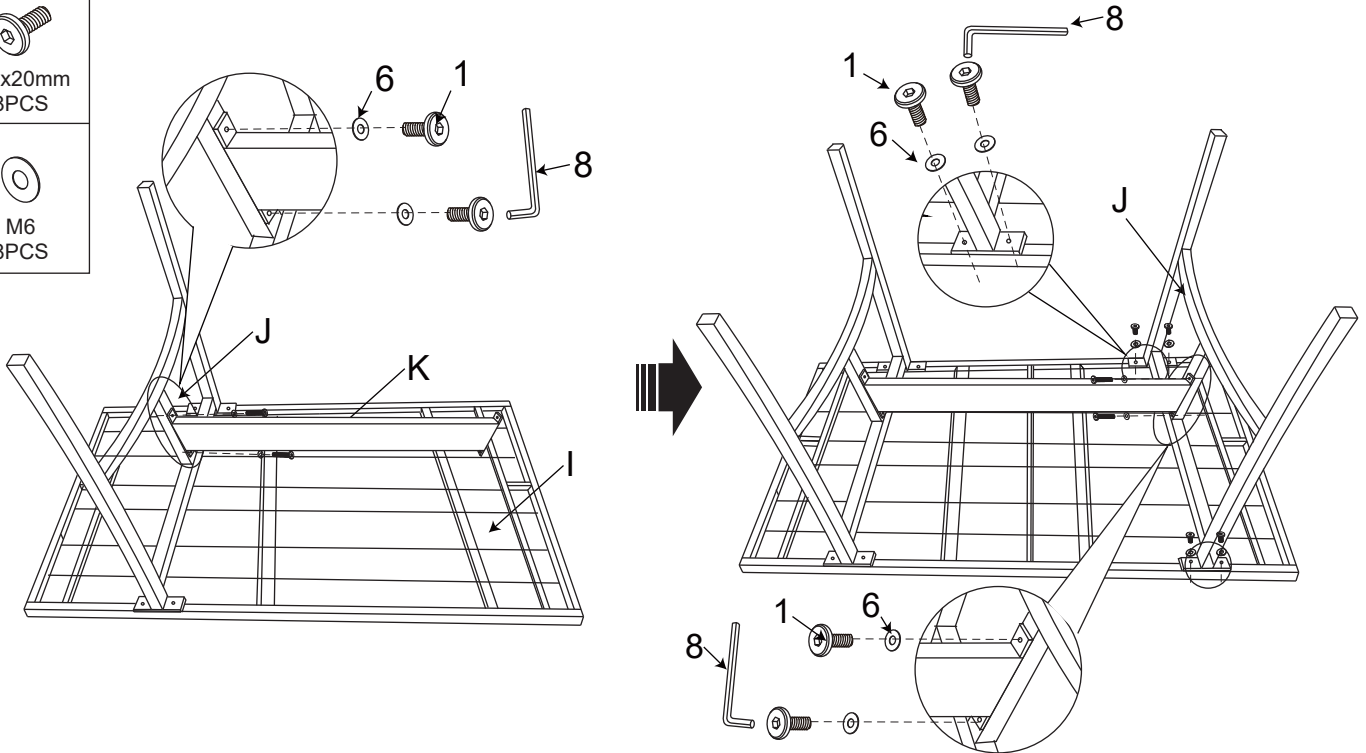
6
M6
4PCS



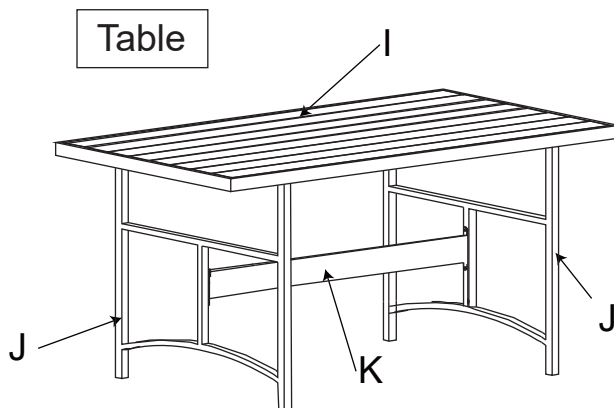
STEP 2

1
M6x20mm
8PCS

6
M6
8PCS

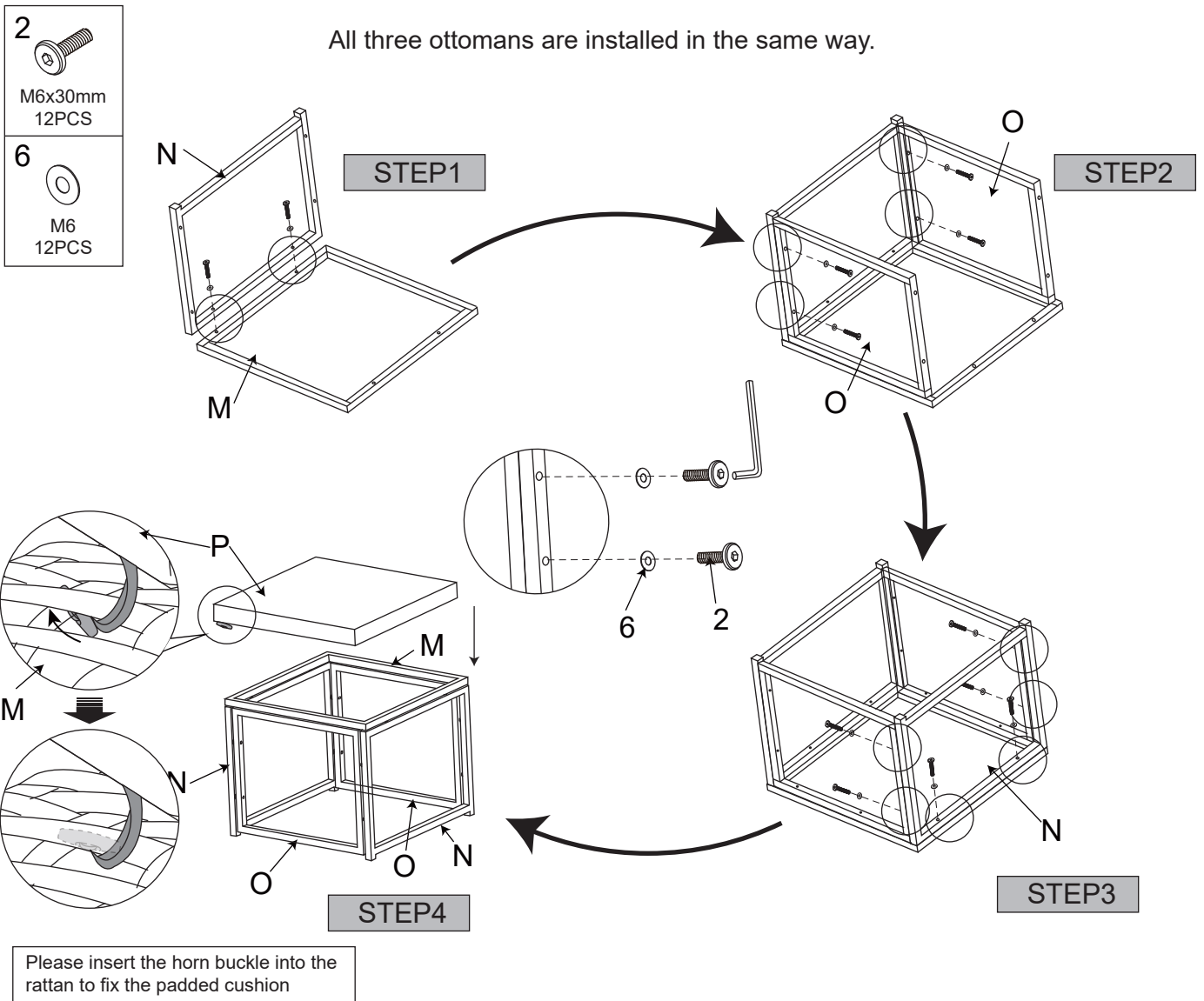


ASSEMBLE ACCOMPLISHED



Warning: Pls put the screws in the screw holes first, don't tighten them, and then tighten them together after they are all aligned.

Ottoman



ASSEMBLE ACCOMPLISHED

