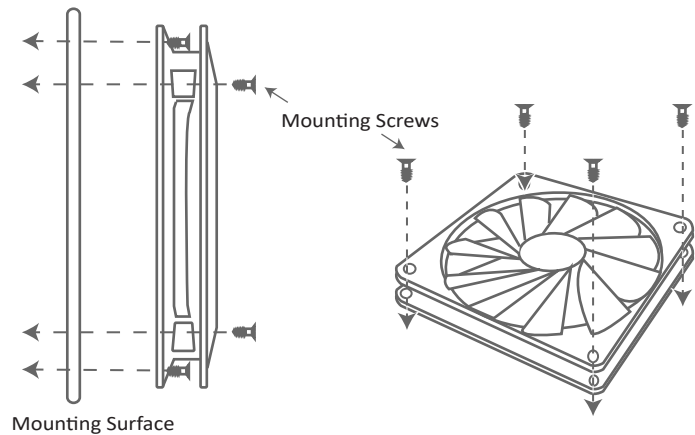


Product Manual and Warranty

Installation

When installing the Bgears Fan on a heatsink or radiator, please use the mounting mechanism supplied with your heatsink or radiator (fan clips, screws, etc.) as described in their manufacturer manual.

When installing the Bgears Fan as a case fan, you can use the supplied mounting screws as shown in the diagram to install the fan to the fixture of your choice:



Connection

The Bgears Fan (Depending on the model) comes with either a 3-pin connector (Like the b-Blaster Series), or 4-pin PWM (Like the b-PWM series) fan connector for fully automatic speed control via your mainboard's 4-pin PWM fan headers. Please check the model you have purchased to verify the type of connector the fan is designed for. The package also come with a 3-pin to 4-pin Molex adapter. This Adapter is to convert the existing 3-pin or 4pin fan connector on the fan into a 4-pin Molex connector so it can be connected directly to a power source that come in 4-pin Molex type connector.

3 pin 12V DC fan



- (yellow) RPM Signal / Tachometric Signal (From Fan)
- (red) 12V DC (+)
- (black) Ground (-)

4 pin 12V DC fan (PWM)



- (blue) RPM Signal (From Motherboard)
- (yellow) RPM Signal / Tachometric Signal (From Fan)
- (red) 12V DC (+)
- (black) Ground (-)

3 pin to 4 pin Molex Adapter



Care and Maintenance

Fans will accumulate dust over a period of usage. In order to maintain its optimal performance, please clean your fans blade regularly using a duster, moist towel/tissue, or canned air. You can consider installing a Fan Filter (<http://www.bgears.com/fanfilter.html>) to block the dust from reaching the fan blade and easier to clean the fan filter. Please be careful not to exert too much force onto the fan that can damage balance of the fan blades. The Bgears fan bearing is fully sealed to prevent dust entering; therefore do not try to attempt to clean the fan other than the surface of the fan blades and Frame.

Warning: Removing the impeller or the Fan Blades from the frame will break the seal of the bearing and will damage the fan. Physical Damaged to the fan by user will void the warranty.

Warranty and Support

Bgears fan are high performance high quality with strict quality control and we are proud to maintain at below 1% defect rate. However, a product is made up with many parts and endured thru all type of transportations before arriving at user hands, so the possibility of defects cannot be eliminated completely. Therefore, we aim at providing fast and straightforward RMA service by emailing us at RMA@bgears.com. Bgears fan comes with 1 year Parts and Labor Warranty. Should you encounter any problems with Bgears Fans, please don't hesitate to contact our support team (support@bgears.com).