

THANK YOU FOR PURCHASING OUR AVENUE • SIX

# BALDWIN

Office Chair  
FL22991G



AVENUE • SIX®  
furnish your lifestyle

P.O. Box 3520, Ontario, CA 91761  
Customer Service: 1-800-950-7262  
[www.officestar.net](http://www.officestar.net)

July, 2018

### **AVENUE SIX OFFICE CHAIRS LIMITED WARRANTY**

Avenue Six office chairs are warranted from the date of purchase against failure due to material and workmanship as follows

- 2 Years on all non-moving metal parts.
- 1 Years on component parts including Control mechanisms, pneumatic cylinders, wood, plastic parts, base and casters.
- 1 Year on upholstery fabric and foam against wear and deterioration.
- We cannot warrant leather against routine scratching and scuffing, as all leather is subject to minor blemishes in normal use.

To make a warranty claim, contact Parts Department. Provide model number, proof of purchase, description of the problem and obtain return authorization. At it's option Office Star Products will:

- (a) Supply compatible components of current manufacture.
- (b) Repair the customer's component. The customer must prepay freight on any components returned to the factory. Return freight on components still in warranty will be paid by Office Star Products.

\*All warranties are limited to the original purchaser for normal Residential usage by persons weighing 200 lbs. or less. This warranty will not cover labor, freight or damage from misuse, abuse, negligence, alteration, accident, vandalism, rusting, acts of nature or any other event beyond the control of Office Star

Products. The warranty does not cover cosmetic damage that may result from normal use. Liability for incidental or consequential damages is excluded. The user assumes all risk of injury resulting from use of this product. This warranty gives you specific legal rights, and you may also have other rights which vary from state to state.

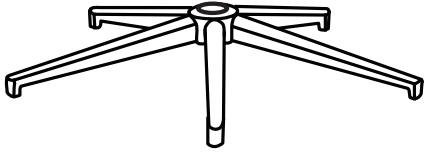
Our quality standards are among the highest in the industry. Sometimes, no matter how hard we try, there are times when parts are damaged or missing. Our Parts Department will do everything possible to promptly remedy the problem.

Contact us via e-mail [parts@officestar.net](mailto:parts@officestar.net), by Fax 1-909-930-5629, or toll free parts number 1-800-950-7262, Monday through Friday 8:00 a.m. - 5:00 p.m. Pacific Time.

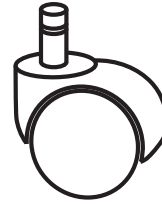


### Assembly Instructions - Important:

Carefully unpack and identify each component before attempting to assemble. Refer to parts list. Please take care when assembling the unit and always set the parts on a clean, soft surface. If you require any assistance with assembly, parts or information on other products, please visit our website: [www.officestar.net](http://www.officestar.net) or call or write us.



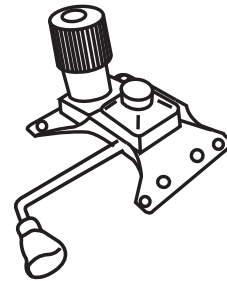
**1 - (Base) - 1 Piece**



**2 - (Caster) - 5 Pieces**



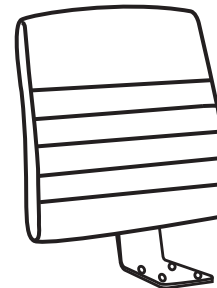
**3 - (Pneumatic Cylinder) - 1 Piece**



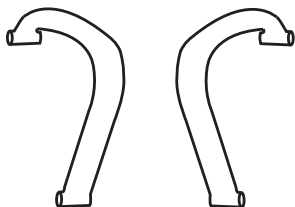
**4 - (Seat Plate) - 1 Piece**



**5 - (Seat Cushion) - 1 Piece**



**6 - (Back Cushion) - 1 Piece**



**7L & 7R - (Arms) - 2 Pieces**

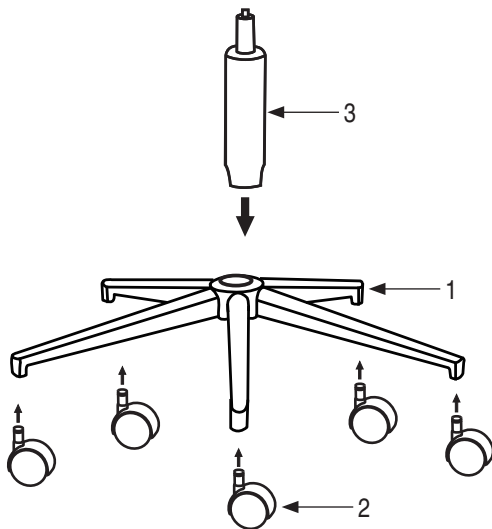
### Assembly Instructions - Important:

Carefully unpack and identify each component before attempting to assemble. Refer to parts list. Please take care when assembling the unit and always set the parts on a clean, soft surface. If you require any assistance with assembly, parts or information on other products, please visit our website: [www.officestar.net](http://www.officestar.net) or call or write us.

#### HARDWARE LIST

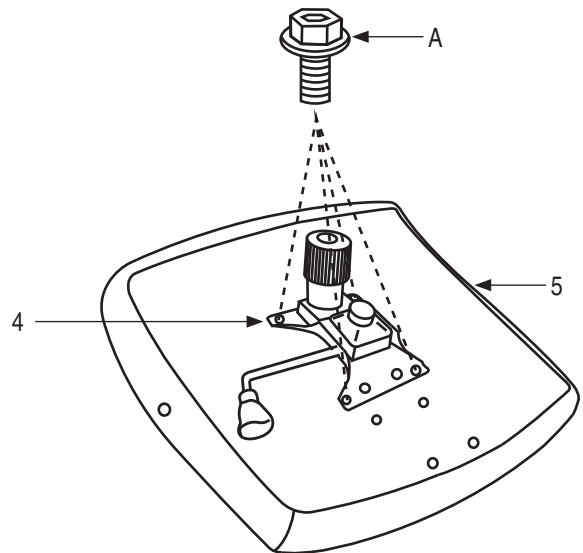
<b>A</b>		SMALL BOLT	4 PCS
<b>B</b>		MEDIUM BOLT	4 PCS
<b>C</b>		LONG BOLT	4 PCS
<b>D</b>		PLASTIC CAP	4 PCS
<b>E</b>		ALLEN WRENCH	1 PC

#### STEP 1



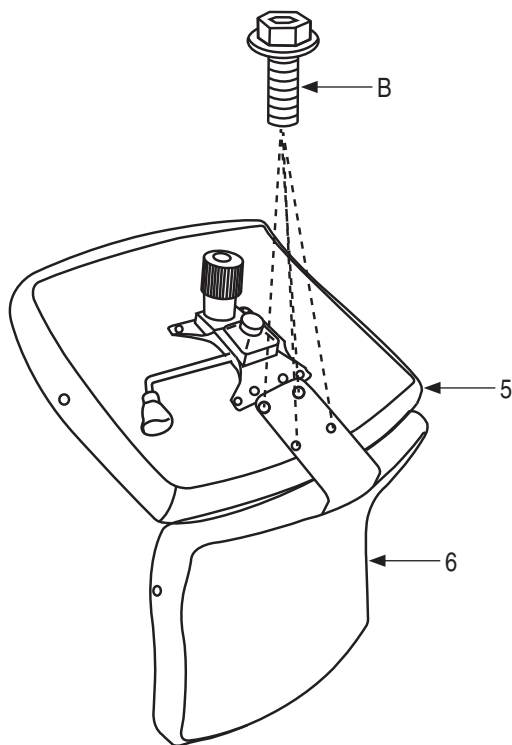
PUSH HARD UNTIL YOU FEEL OR HEAR THE  
CASTER (2) SNAP INTO PLACE

#### STEP 2



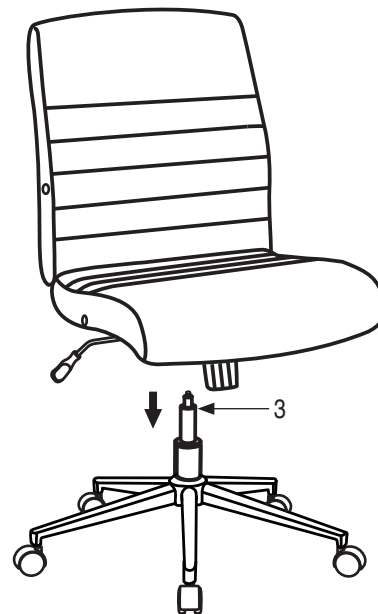
FULLY TIGHTEN ALL BOLTS

### Step 3



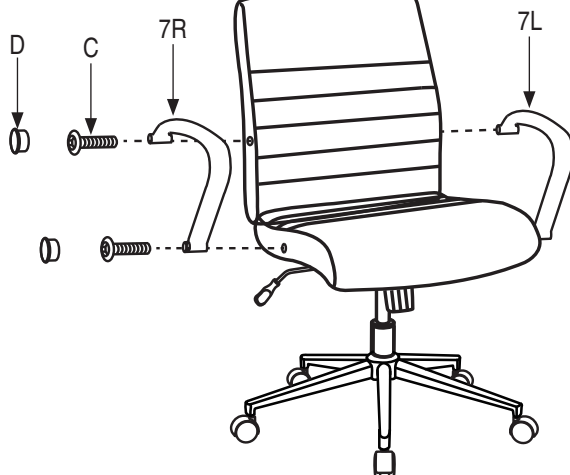
DO NOT FULLY TIGHTEN MEDIUM BOLTS (B) WHEN INSTALLING BACKREST (6).

### Step 4



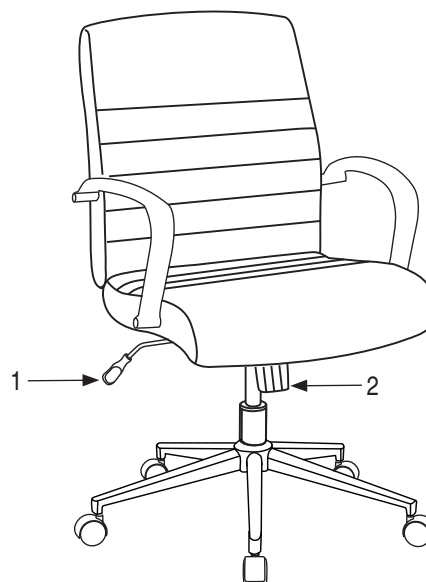
PLACE THE ASSEMBLED SEAT ON TOP OF PNEUMATIC CYLINDER (3) AND APPLY DOWNWARD PRESSURE.

### Step 5



ALIGN AND FULLY TIGHTEN LONG BOLTS (C) ON ARMS (7R & 7L). FULLY TIGHTEN MEDIUM BOLTS (B) ON BACKREST (6) FROM STEP 3.

### FEATURES



#### • PNEUMATIC SEAT HEIGHT ADJUSTMENT

To raise seat, remove pressure from seat and pull lever (1) up. To lower seat, sit on chair and pull lever (1) up.

**NOTE:** It is normal for chair to slightly lower under body weight.

#### • LOCKING TILT ADJUSTMENT

For individual comfort, this chair has been equipped with an adjustment that will allow the user to change the tension of the tilting feature. Turn knob (2) clockwise to increase tension and counter-clockwise to decrease or ease the tension. To lock, return chair to the upright position and push lever (1) in. To unlock, pull lever (1) out.

**NOTE:** Be careful not to loosen back tilt adjustment knob completely.