

## PREPARATION

**Approximate Installation Time:** 60 minutes

**Tools Required for Installation:**

- Miter/Chop Saw or Hacksaw
- Electric Drill
- 3/16" Masonry Drill Bit
- 3/16" Metal Drill Bit
- 5/32" Metal Drill Bit
- 9/64" Metal Drill Bit
- Phillips Bit
- Pencil / Felt Tip Pen
- Cutting Pliers
- Measuring Tape
- Masking Tape
- Phillips Screwdriver
- 13/16" Wrench
- 7/8" Wrench
- Level
- Rubber Mallet
- Clear Caulking or Sealant
- Safety Glasses

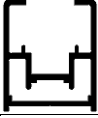

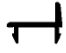


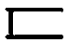


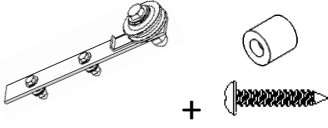
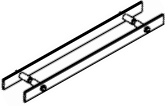
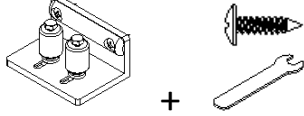






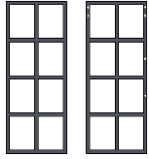
## QUESTIONS

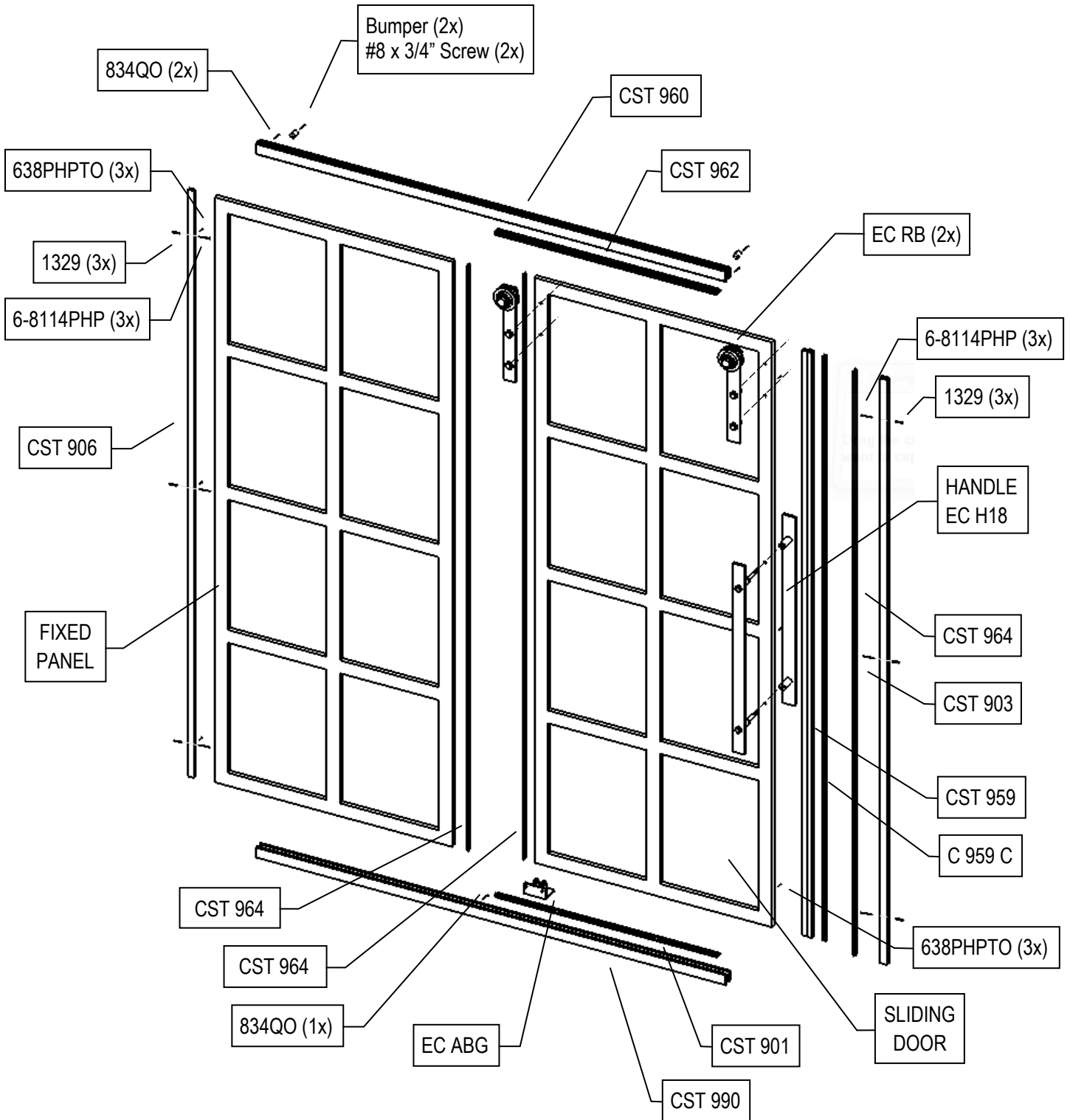


Before beginning installation of product, make sure all parts are present. Compare parts with package contents list and diagram below. Grid appearance may differ from images shown. If any part is missing or damaged, do not attempt to install the product.

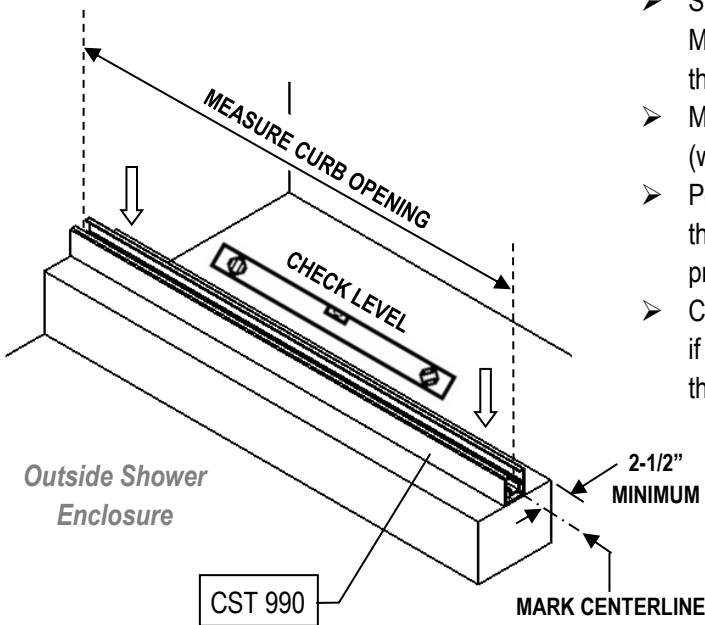
Please call our customer service department at 1-800-874-8601, 8 am - 5 pm EST, Monday to Friday.

**PACKAGE CONTENTS**

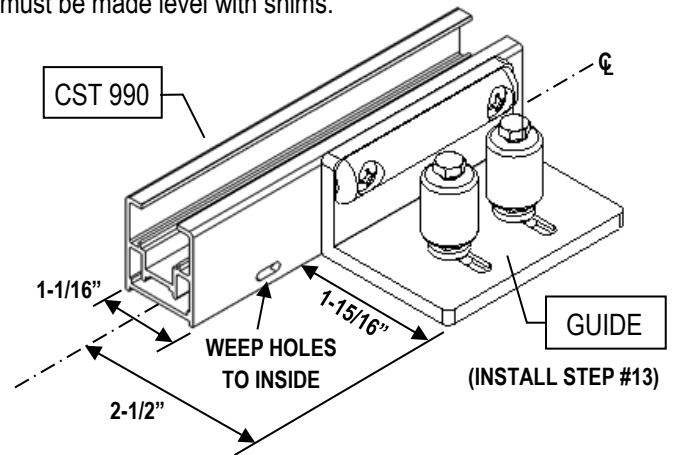
	CST 990	Sill	1
	CST 960	Header	1
	CST 901	Sill Cover Dam	1
	CST 962	Header Cover	1
	CST 903	Door Wall Jamb	1
	CST 906	Fixed Panel Wall Jamb	1
	CST 964	Door Jamb / Fixed Panel / Door Cover	3
	CST 959	Door Strike Stile	1
	EC RB	Roller Bracket Assembly (with Bumper and #8 x 3/4" Screw)	2
	EC H18	18" C.C. Back-to-Back Door Handle	1
	EC ABG	Adjustable Bottom Guide (with Hex Wrench and 2x #8 x 5/8" Screw)	1
	1329	Plastic Screw Anchor	6
	6-8114PHP	Installation Screw (#6 Head - #8 x 1-1/4")	6
	834QO	Header / Sill Screw (#8 x 3/4")	3
	638PHPTO	Panel Adjustment Screw (#6 x 3/8")	6
	C 959 C	Door Bubble Seal	1
	ECS58 & ECS916	Hex Sleeve 5/8" and Hex Sleeve 9/16"	1 + 1
	PANELS	Sliding Door and Fixed Panel Assemblies	1 + 1



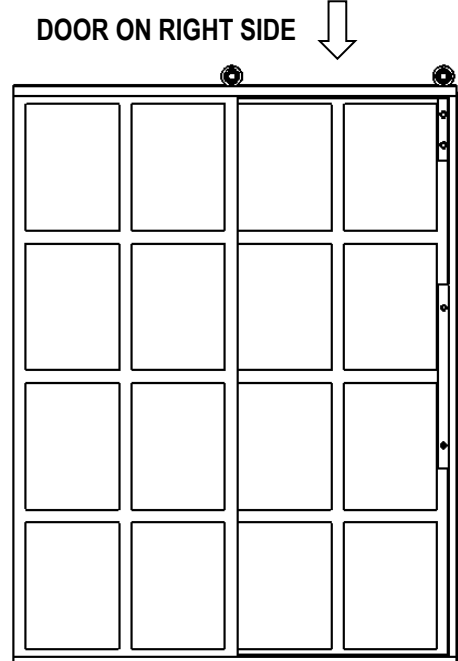
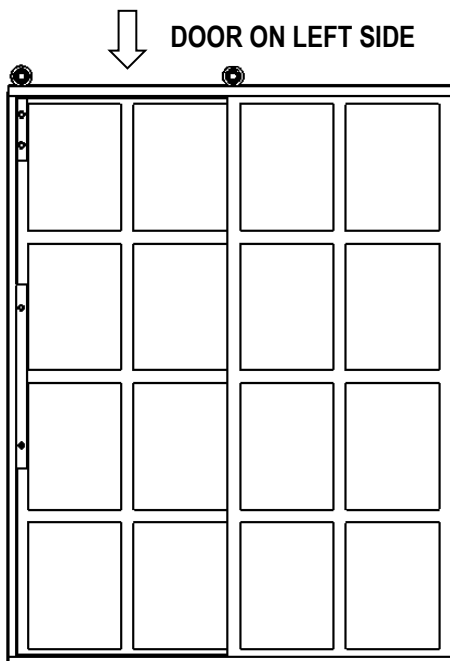
**STEP 1. TRIM, POSITION, AND CHECK LEVEL OF SILL**



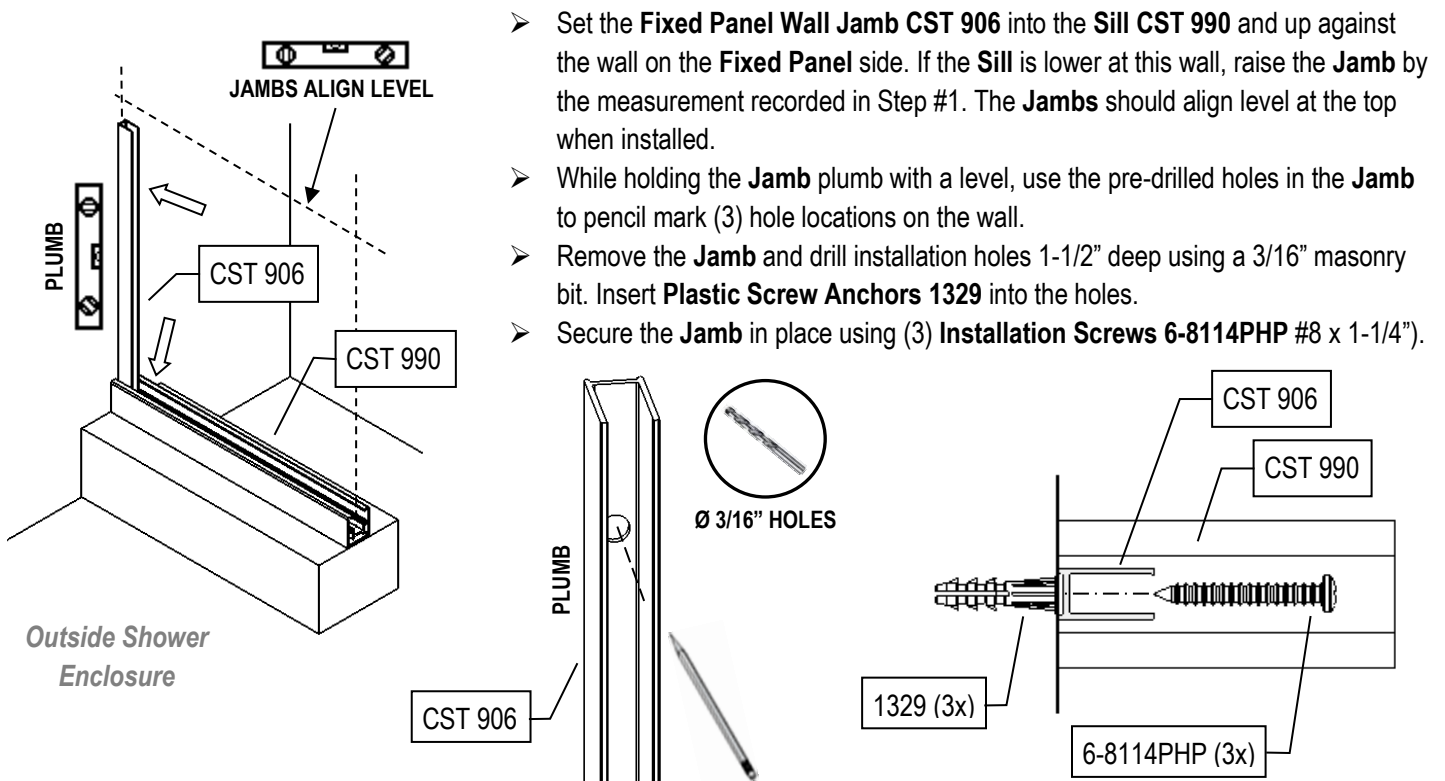
- Strike a centerline on the curb where the **Sill CST 990** will sit. Minimum 2-1/2" is required from the centerline to the inside edge of the curb for the **Bottom Guide EC ABG**.
- Measure the opening at the curb along the centerline. Trim the **Sill** (with weep holes) to fit.
- Position and center the **Sill** on the centerline with the weep holes to the inside of the shower enclosure. Temporarily tape in place to prevent movement.
- Check if the **Sill** is level. Make a note of the out-of-level measurement if one side is lower than the other. If measurement exceeds 1/4", then the **Sill** must be made level with shims.



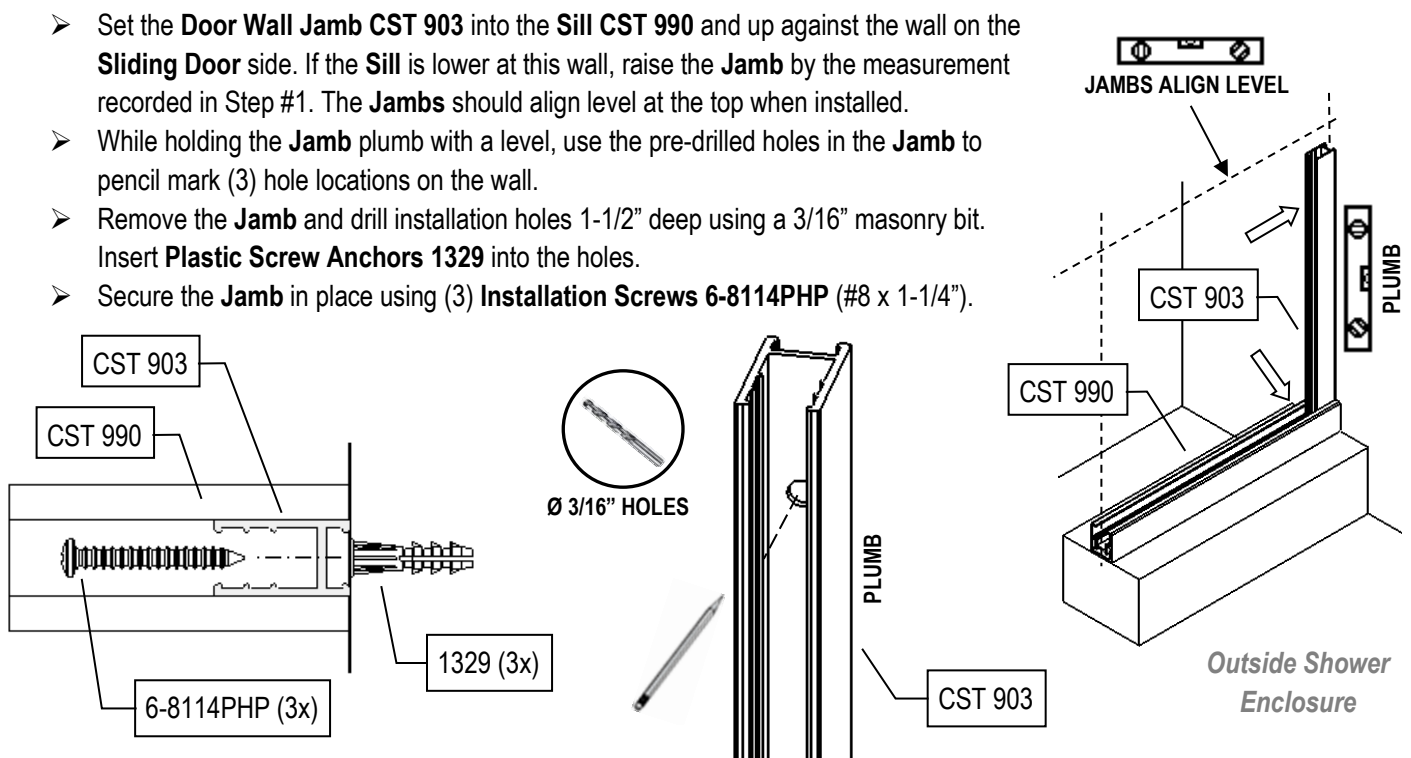
**STEP 2. IDENTIFY DOOR AND FIXED PANEL LOCATION**



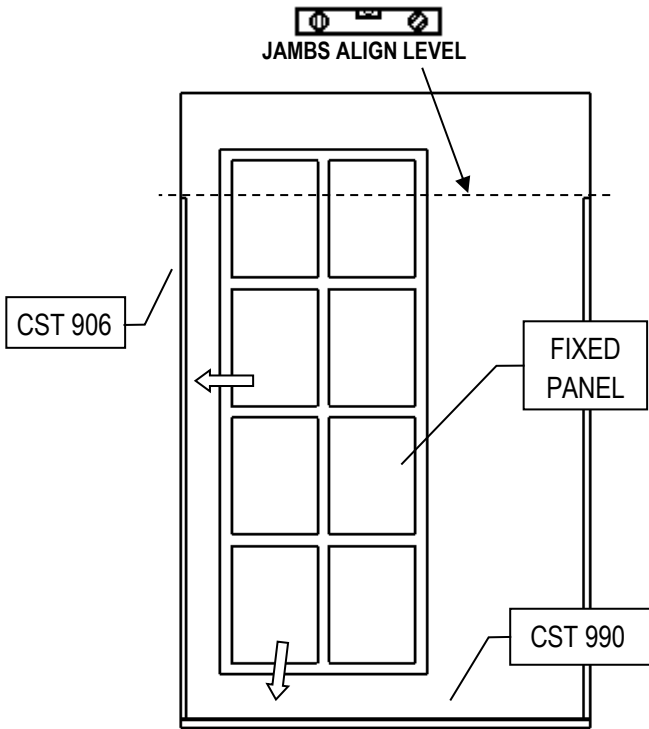
**STEP 3. INSTALL FIXED PANEL WALL JAMB**



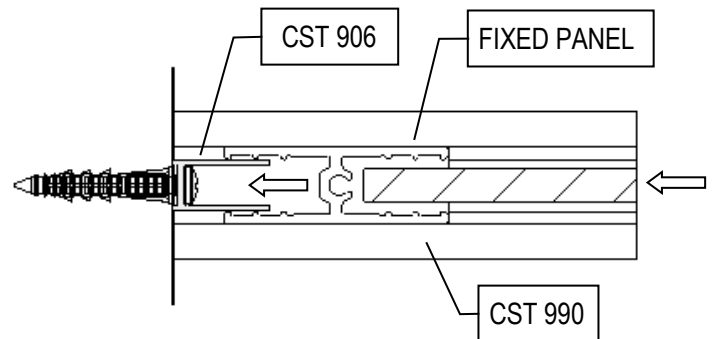
**STEP 4. INSTALL DOOR WALL JAMB**



**STEP 5. SET FIXED PANEL**

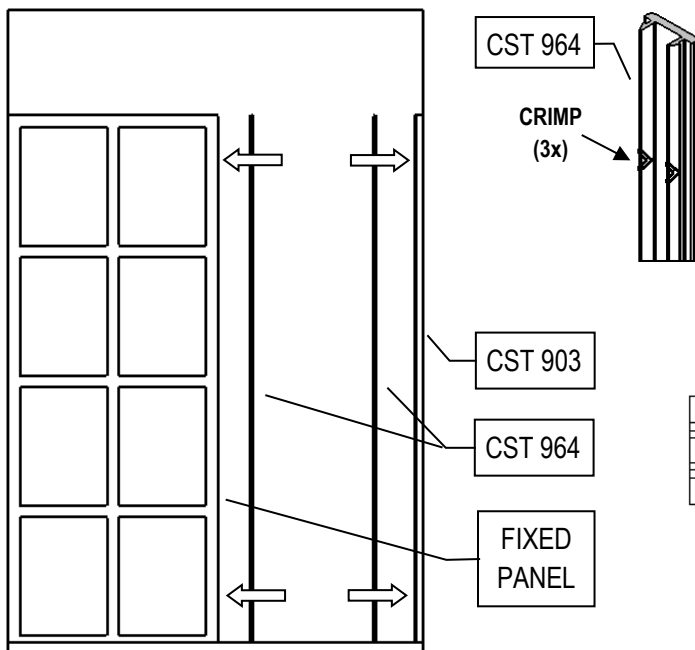


- Set the **Fixed Panel** into the **Sill CST 990** and push it onto the **Fixed Panel Wall Jamb CST 906** until the **Panel** is against the wall.
- For an enclosure with **Satin Glass**, the **Satin** side is to the outside. For **Glass** treated with **Coastal Clarity**, the treated side is to the inside.

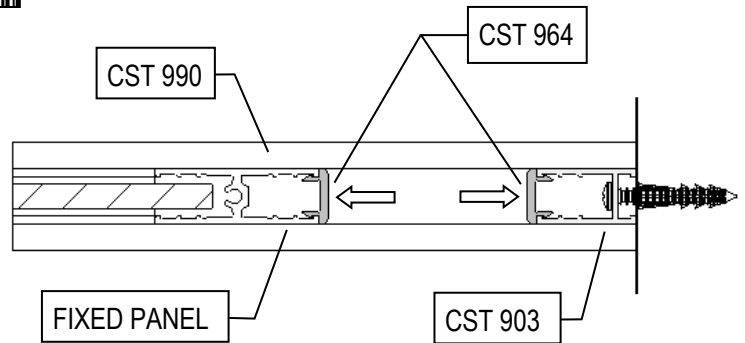


*Outside Shower Enclosure*

**STEP 6. INSERT FIXED PANEL COVER AND DOOR JAMB COVER**

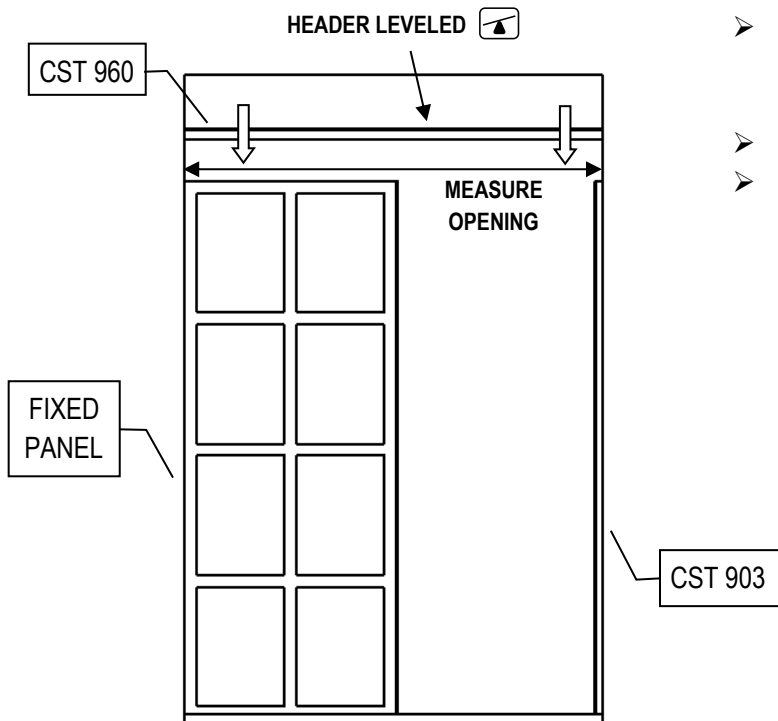


- Crimp the snap legs of the **Door Jamb / Fixed Panel Cover CST 964** with pliers in three places at top, middle, and bottom (to prevent movement when installed).
- Snap (1) **Cover** into the open edge of the **Fixed Panel**.
- Snap (1) **Cover** into the **Door Wall Jamb CST 903**.

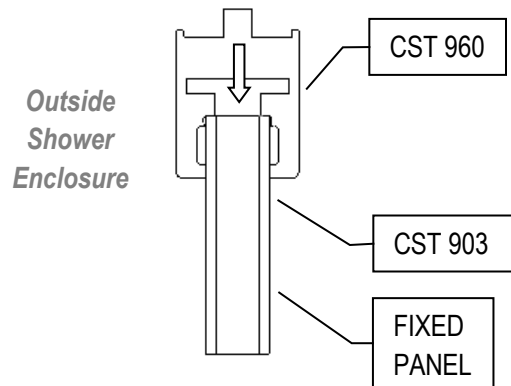


*Outside Shower Enclosure*

**STEP 7. TRIM AND INSTALL HEADER**

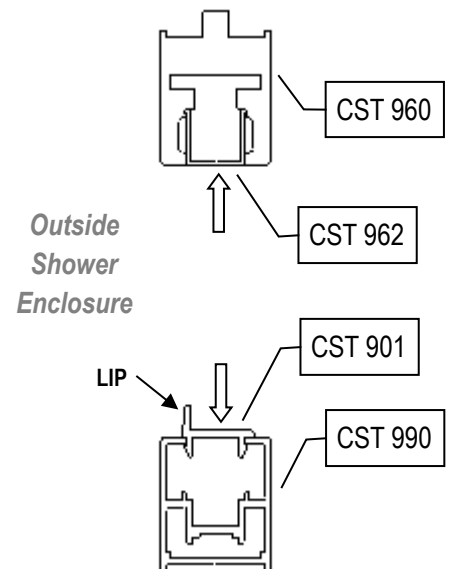
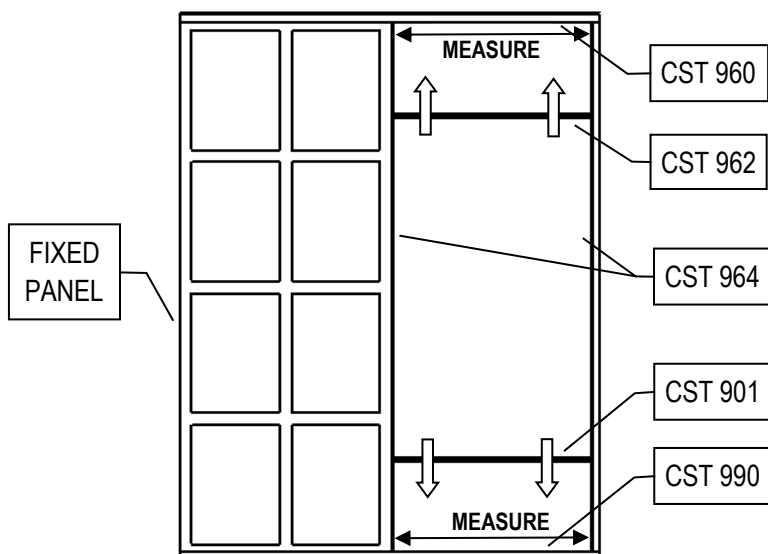


- Measure the finish-to-finish shower opening above the **Door Wall Jamb CST 903** and the **Fixed Panel**. Trim the **Header CST 960** to fit.
- Set the **Header** over the **Jamb** and **Fixed Panel**.
- Confirm the **Header** is level.

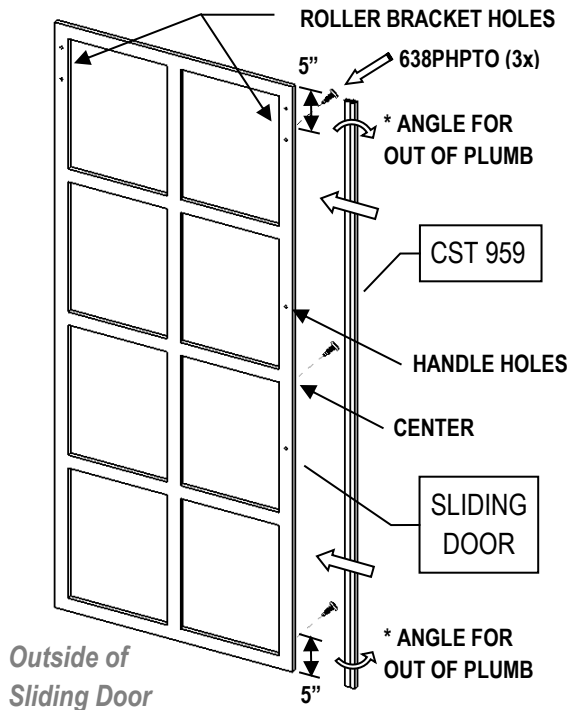


**STEP 8. TRIM AND INSTALL HEADER COVER AND SILL COVER**

- Measure between the **Door Jamb / Fixed Panel Covers CST 964** at the **Header CST 960**. Trim the **Header Cover CST 962** to the measurement obtained.
- Snap the **Header Cover** into the **Header**. Spread the U-Channel legs wider apart for a tighter fit if required.
- Measure between the **Covers CST 964** at the **Sill CST 990**. Trim **Sill Cover Dam CST 901** to the measurement obtained.
- Snap the **Sill Cover** into the **Sill** with the lip toward the outside of the enclosure.

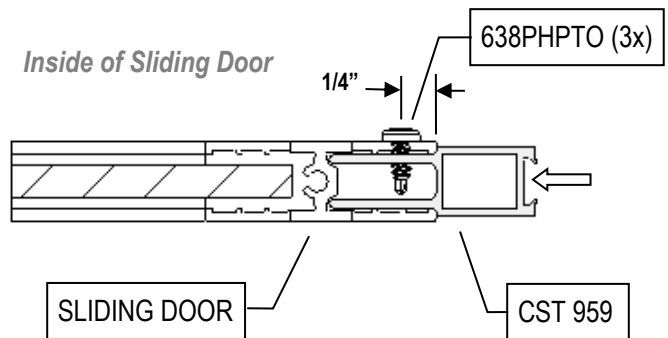


**STEP 9. INSTALL DOOR STRIKE STILE**

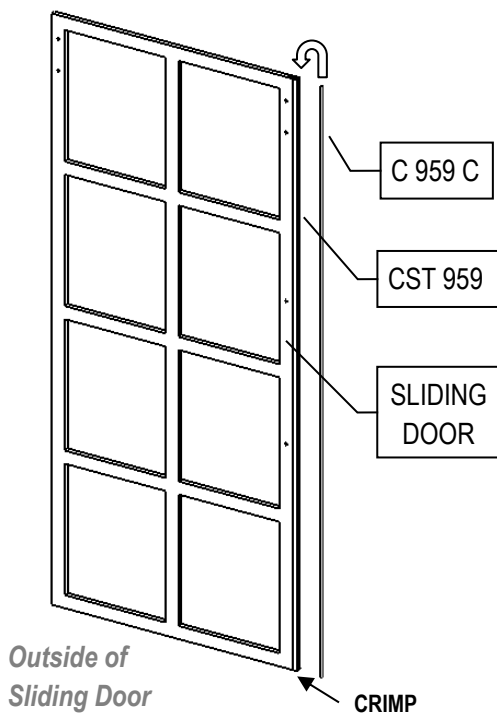


\* Check for out of plumb on the wall at the door opening. Install Strike Stile CST 959 at an angle to compensate for up to 3/8" out of plumb.

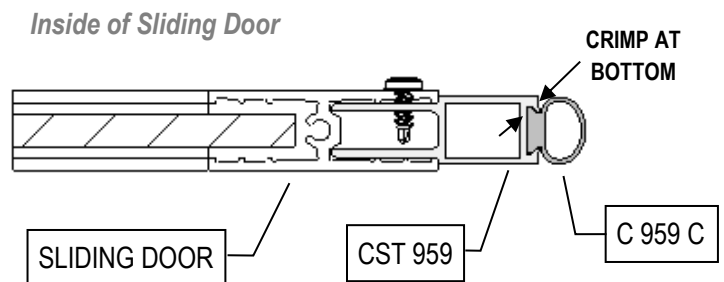
- Orient the **Sliding Door** as it would be installed. The top of the **Door** is drilled for the **Roller Bracket EC RB** and the left or right side is drilled for the **Handle EC H18**.
- Insert the **Door Strike Stile CST 959** into the side of the **Door** with the **Handle** holes. Make flush at the top.
- Secure the **Strike Stile** to the **Door** with (3) self-drilling **Panel Adjustment Screws 638PHPTO** (#6 x 3/8" Pan Head Phillips Tek (Black Head)) from the inside of the **Door**. Locate **Screws** vertically at 5" from the top and bottom of the **Door** and at center. Place **Screws** 1/4" from the edge of the **Door Panel**.



**STEP 10. INSTALL DOOR BUBBLE SEAL**

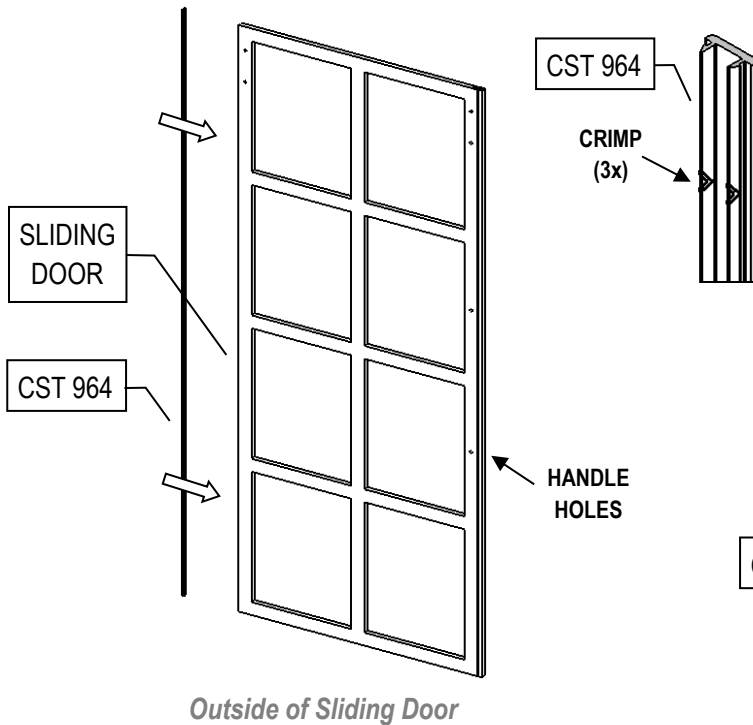


- Slide the **Door Bubble Seal C 959 C** into the **Door Strike Stile CST 959**. Make flush at the top.
- Crimp the **Strike Stile** at the bottom to keep the **Bubble Seal** from sliding out.

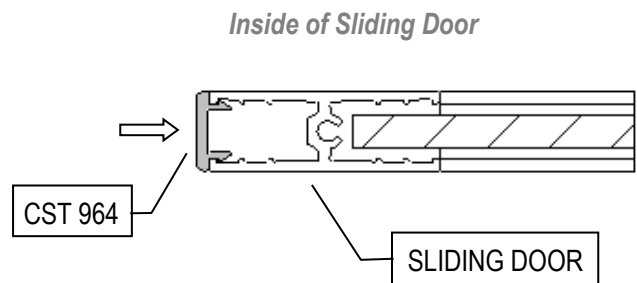




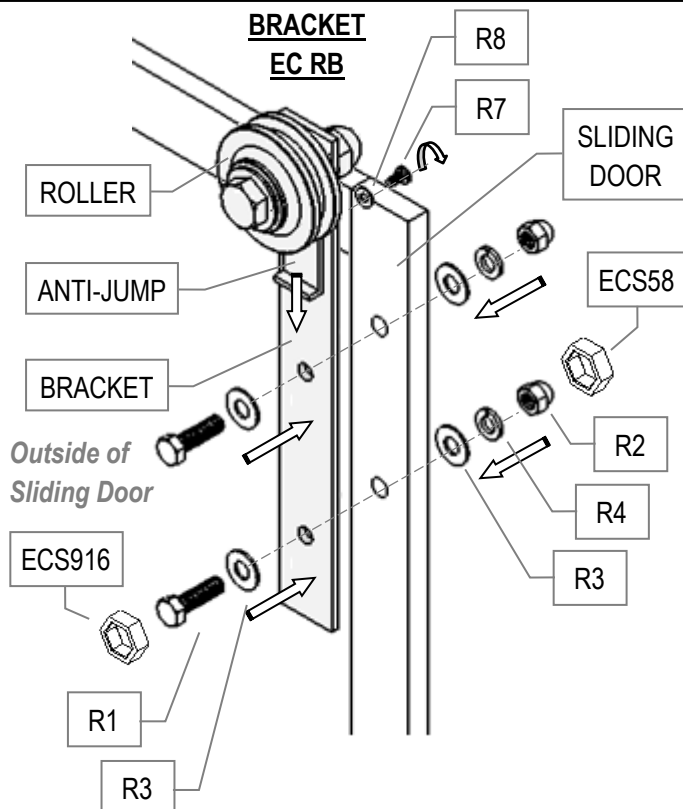
**STEP 11. INSTALL DOOR COVER**



- Crimp the snap legs of the **Door Cover CST 964** with pliers in three places at top, middle, and bottom (to prevent movement when installed).
- Attach the **Cover** to the side of the **Sliding Door** without the handle holes. Snap the **Cover** in place flush with the top of the **Door**.



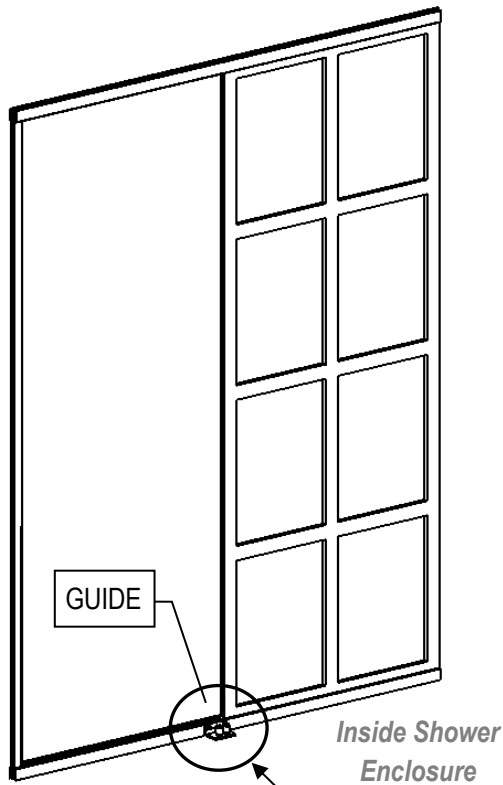
**STEP 12. INSTALL ROLLER BRACKETS TO SLIDING DOOR**



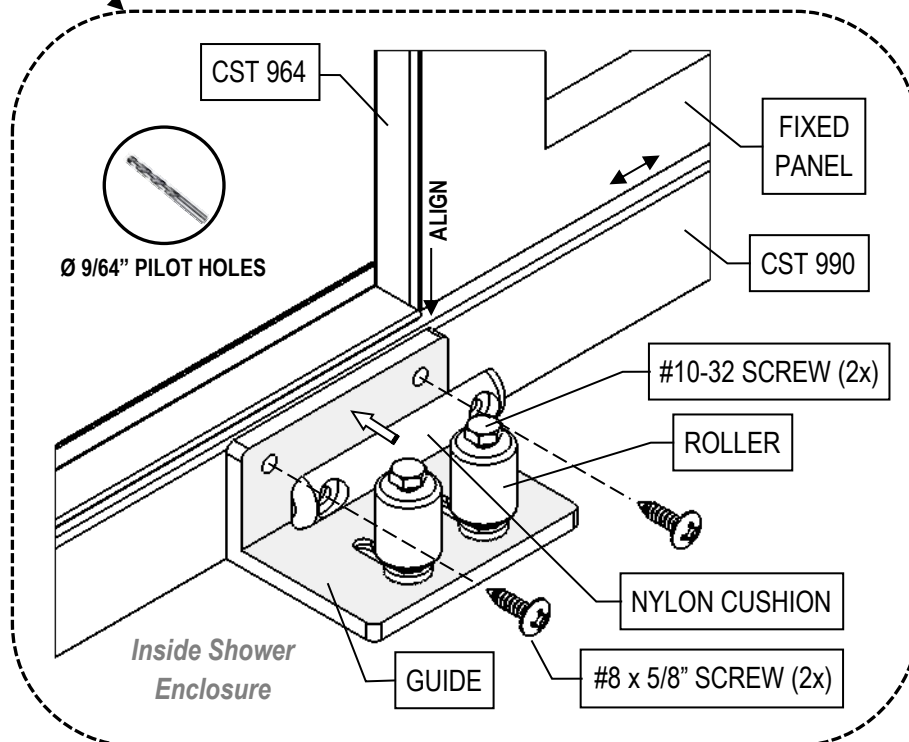
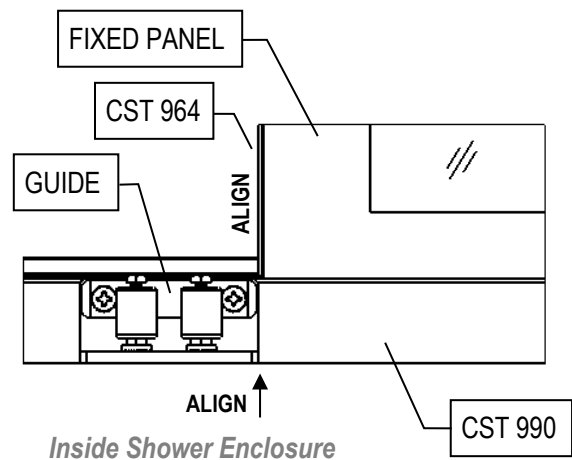
- Loosen **Cap Nuts (R2)** from the (2) **Panel Screws (R1)** on the **Roller Bracket EC RB**. Use **Hex Sleeves ECS58** and **ECS916** to protect the finish on the **Screws** and **Nuts**.
- Assemble the **Bracket** onto the front of the **Sliding Door** with the **Roller** facing out. Discard the (2) **Plastic Washers** and the **Plastic Bushing** from each **Screw**.
- Set a **Cap Nut** back on each **Screw** and check that the **Bracket** is aligned with the edge of the **Door**. Tighten the **Cap Nuts** until the **Lock Washers (R4)** are flattened.
- Partially loosen the **Anti-Jump Screw (R7)** and lower the **Anti-Jump**.
- Repeat for the second **Roller Bracket**.

Part	Description
R1	3/8"-16 Hex Panel Screw
R2	Cap Nut
R3	Metal Flat Washer
R4	Lock Washer
R7	#10-32 Anti-Jump Screw
R8	Anti-Jump Washer(s)

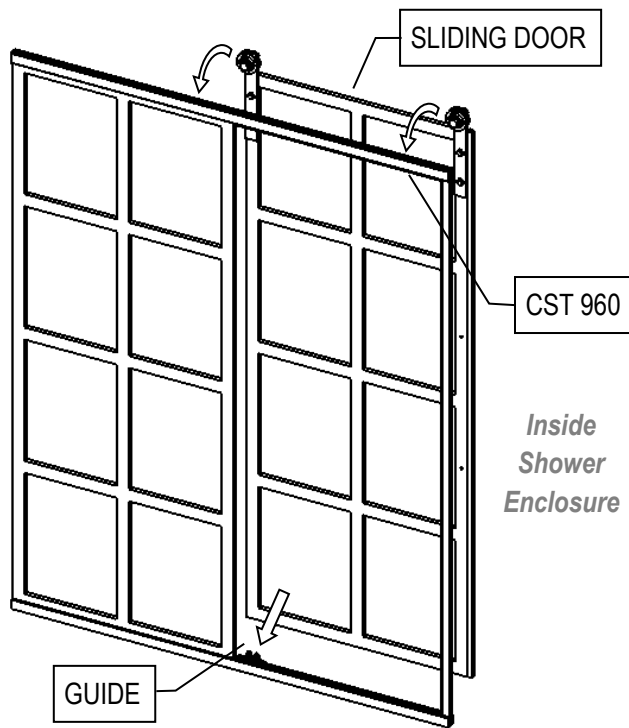
**STEP 13. INSTALL DOOR GUIDE**



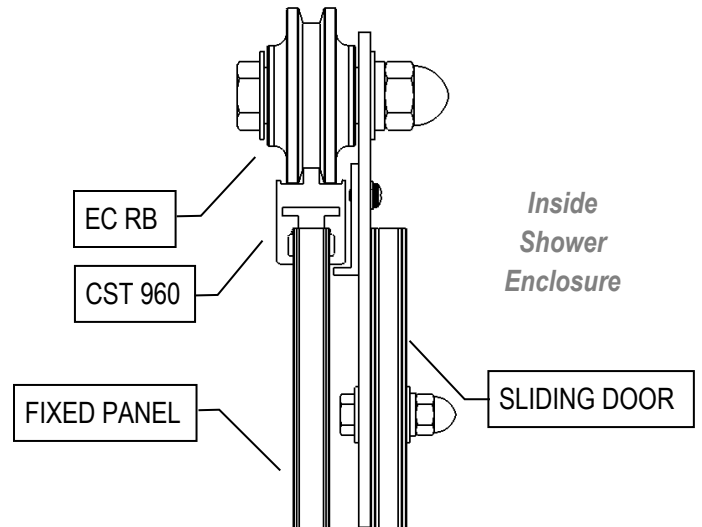
- Place the **Bottom Guide EC ABG** against the inside of the **Sill CST 990** and align with the **Fixed Panel Cover CST 964**. Mark hole locations on the back of the **Sill**.
- Remove the **Guide** and drill  $\frac{9}{64}$ " pilot holes  $\frac{1}{2}$ " deep.
- Set the **Guide** back in place with the **Nylon Cushion** over the holes and secure in place using (2) **#8 x 5/8" Screws** (Black Head).
- Partially loosen the **#10-32 Hex Screws** holding the **Rollers** in place and slide the **Rollers** out to the maximum distance.



**STEP 14. HANG SLIDING DOOR**

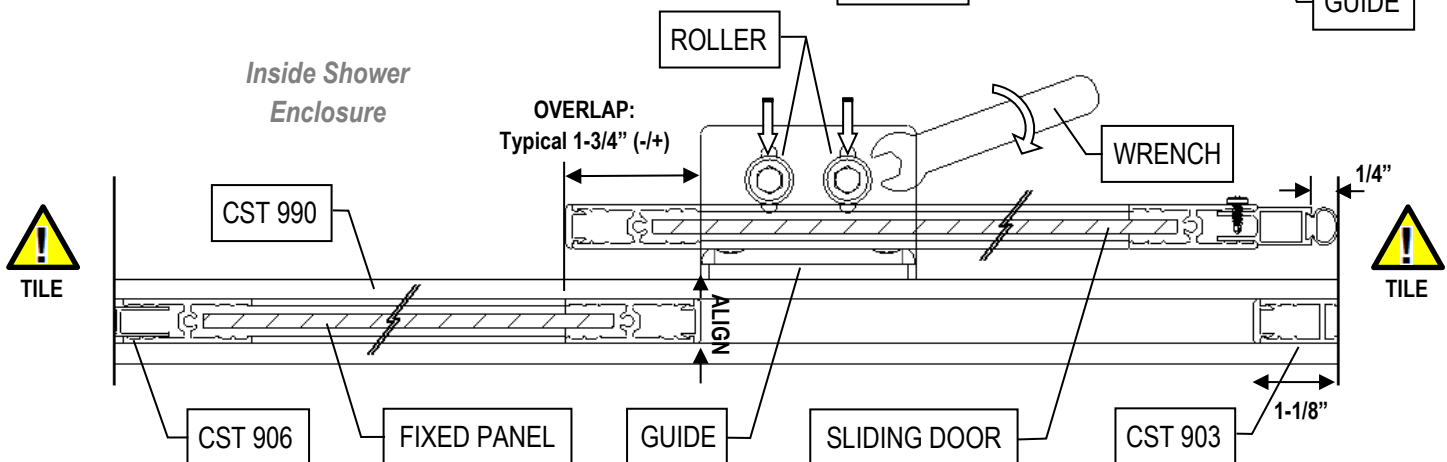
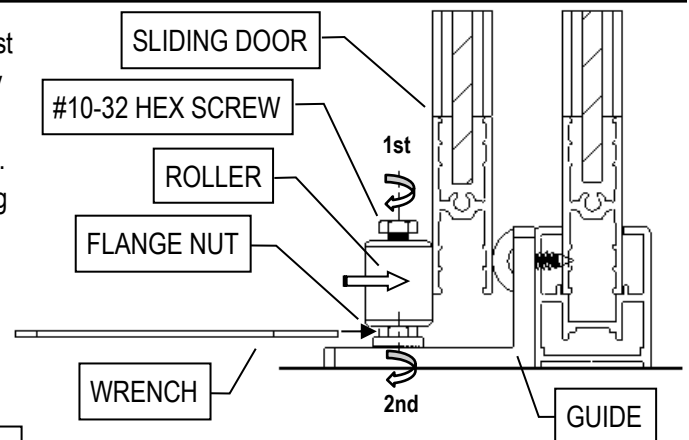


- Bring the **Sliding Door** inside the shower enclosure with the **Roller Brackets EC RB** facing to the outside of the enclosure. (Remove the **Header CST 960** temporarily for easier access.)
- Lift the **Door**, tilt the bottom into the **Bottom Guide EC ABG**, and set the **Rollers** onto the track on top of the **Header**.

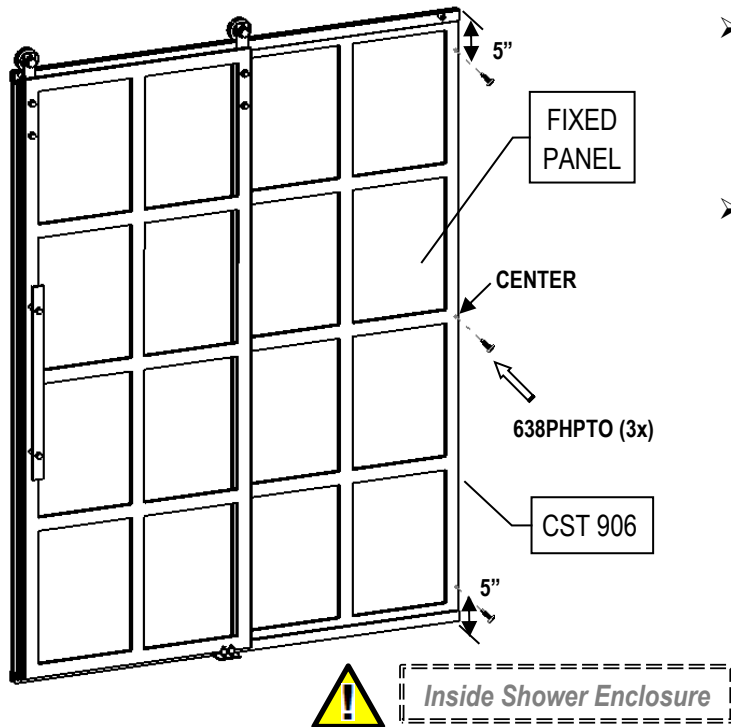


**STEP 15. ADJUST BOTTOM GUIDE AND CHECK DOOR OPERATION**

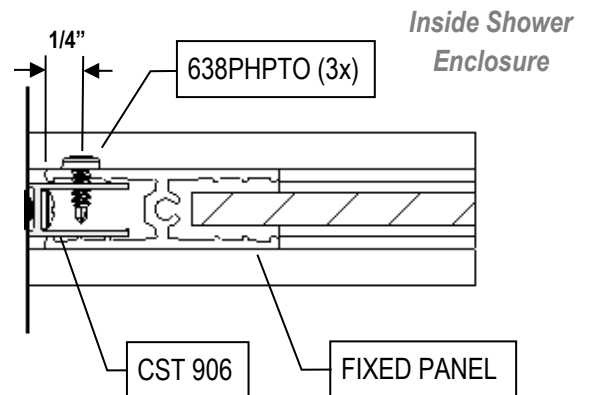
- Push the **Rollers** on the **Bottom Guide EC ABG** tight against the **Sliding Door**. Tighten each **#10-32 Hex Screw** until they stop against the floor. Then use the **Hex Wrench** provided with the **Guide** to tighten the **Flange Nuts** under the **Rollers**.
- Open and close the **Sliding Door** to make sure it is operating properly. **Header CST 960** should be level so that the **Door** does not roll unless pushed.
- **CAUTION:** Handle the **Door** carefully until **Bumpers** are installed. Do not slam the **Door** into tile wall!



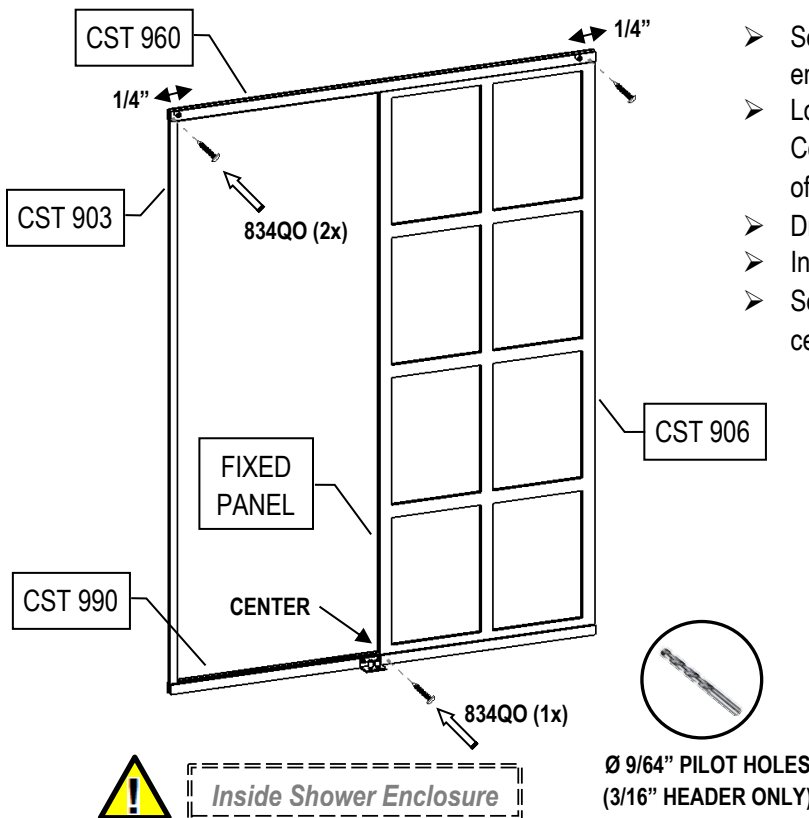
**STEP 16. SECURE FIXED PANEL**



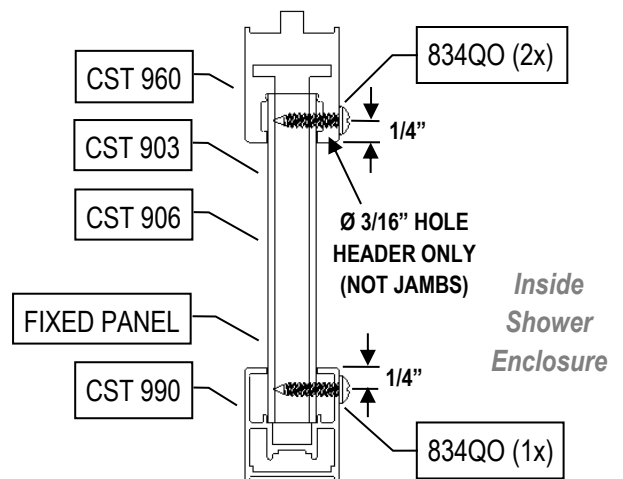
- When satisfied with unit operation, secure the **Fixed Panel** to the **Fixed Panel Wall Jamb CST 906** with (3) self-drilling **Panel Adjustment Screws 638PHPTO** (#6 x 3/8" Pan Head Philips Tek (Black Head)) from inside the enclosure.
- Locate **Screws** vertically at 5" from the top and bottom of the **Unit** and at center. Place **Screws** 1/4" from the edge of the **Panel**.



**STEP 17. SECURE HEADER AND SILL**

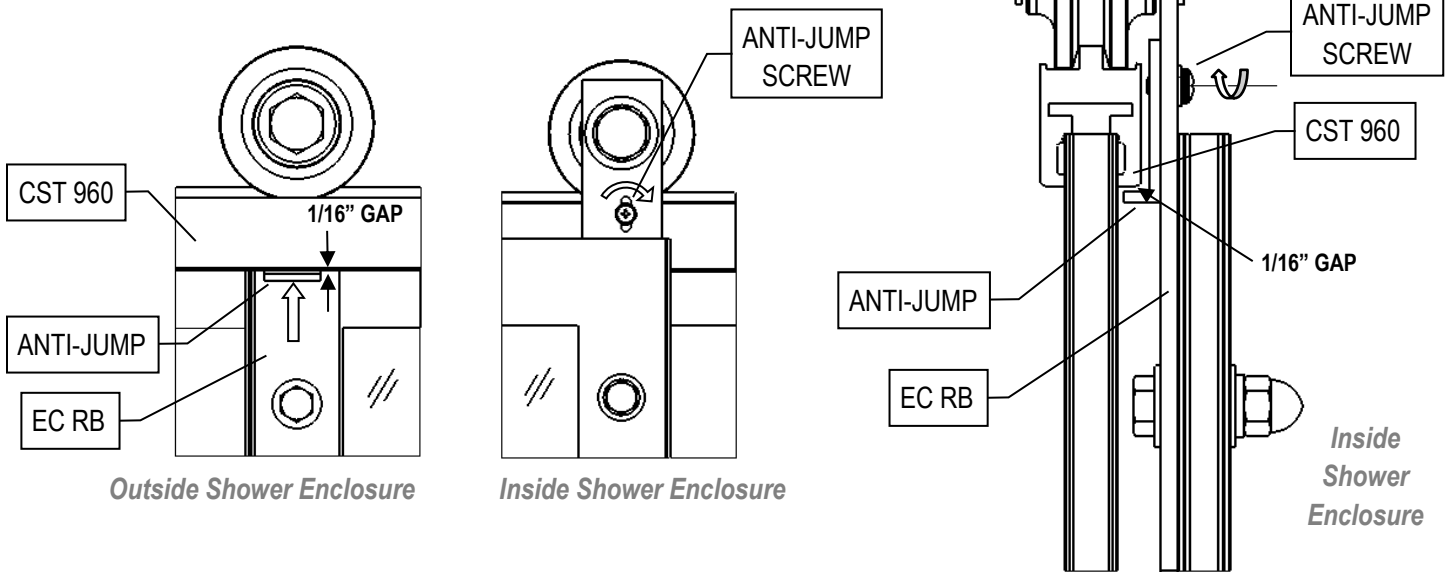


- Secure **Header CST 960** at each end from inside the enclosure to **Wall Jamb CST 903** and **CST 906**.
- Locate **Header / Sill Screws 834QO** (#8 x 3/4" Pan Head Combo Drive (Black Head)) vertically at 1/4" from the edge of the **Header**. Place **Screws** at 1/4" from each wall.
- Drill 9/64" pilot holes 3/4" deep at each **Screw** location.
- Increase hole size to 3/16" for the **Header** only (not **Jamb**s).
- Secure the **Fixed Panel** to the **Sill** with (1) **Screw** at the center. Place the Screw 1/4" from the edge of the **Panel**.

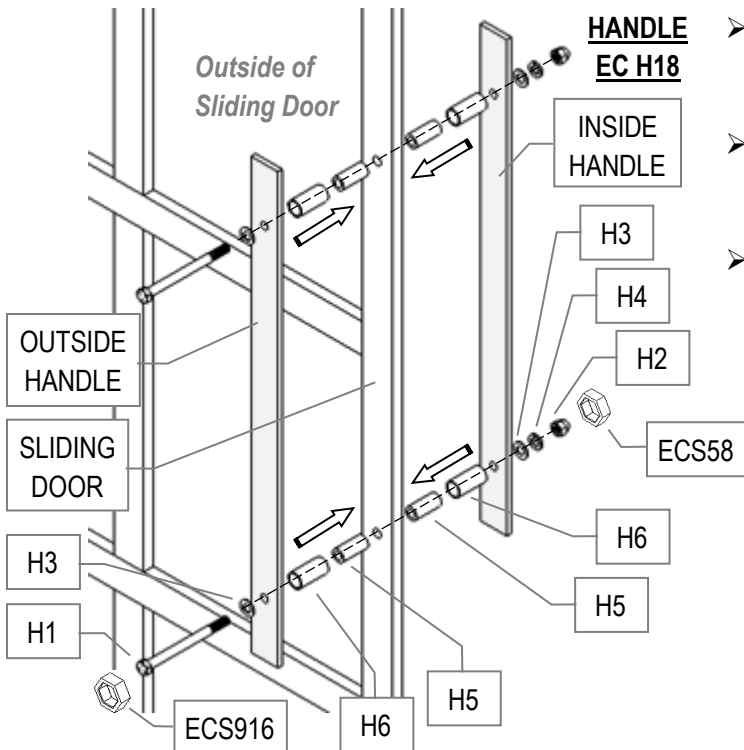


**STEP 18. ADJUST ANTI-JUMP**

- Raise the **Anti-Jumps** on the front of the **Roller Brackets EC RB** to 1/16" below the **Header CST 960** and tighten the **Anti-Jump Screws** in the back.



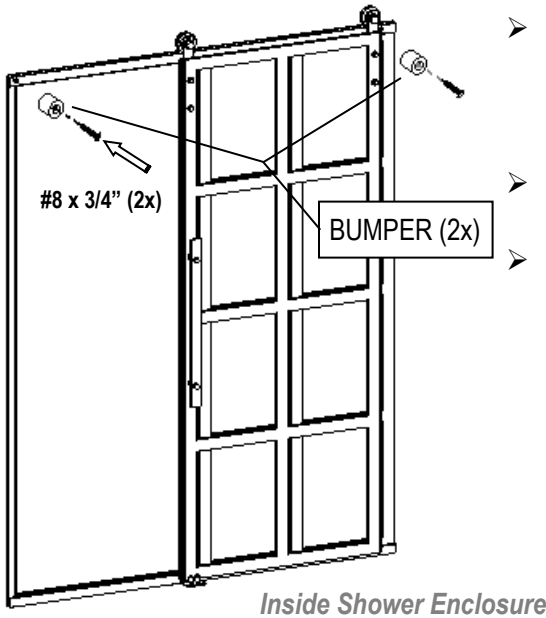
**STEP 19. INSTALL DOOR HANDLE**



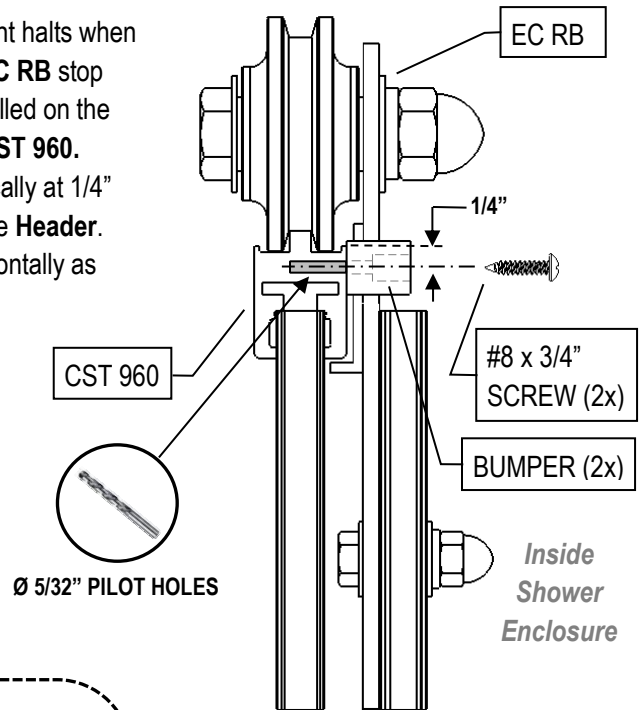
- Loosen the **Cap Nuts (H2)** from the (2) **Handle Screws (H1)** on the **Handle EC H18**. Use **Hex Sleeves ECS58** and **ECS916** to protect the finish on the **Screws and Nuts**.
- Assemble the **Handle** onto the front of the **Sliding Door**. Discard the (2) **Plastic Washers** and the **Plastic Bushing** from each **Screw**.
- Set a **Cap Nut** back on each **Screw** on the inside and check that the **Handle** is aligned with the edge of the **Door**. Tighten the **Cap Nuts** until the **Lock Washers (H4)** are flattened.

Part	Description
H1	3/8"-16 Hex Handle Screw
H2	Cap Nut
H3	Metal Flat Washer
H4	Lock Washer
H5	Plastic Stem Bushing
H6	Metal stem

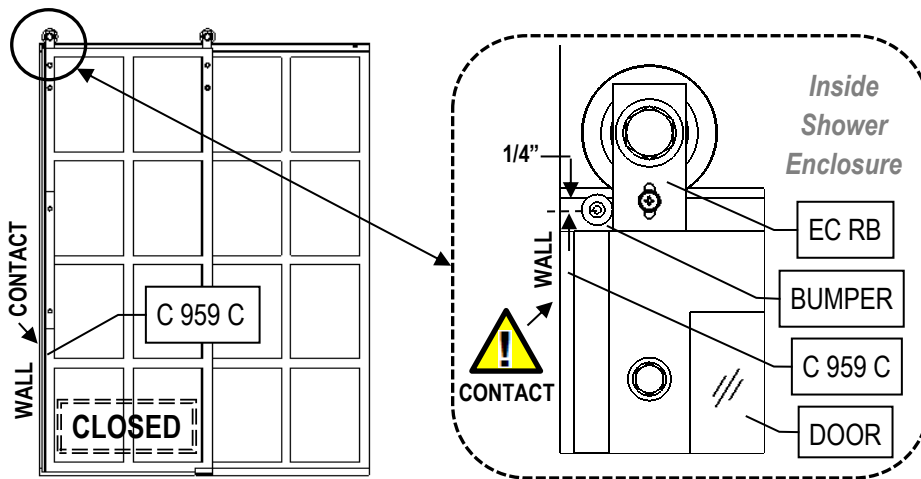
**STEP 20. INSTALL DOOR BUMPERS**



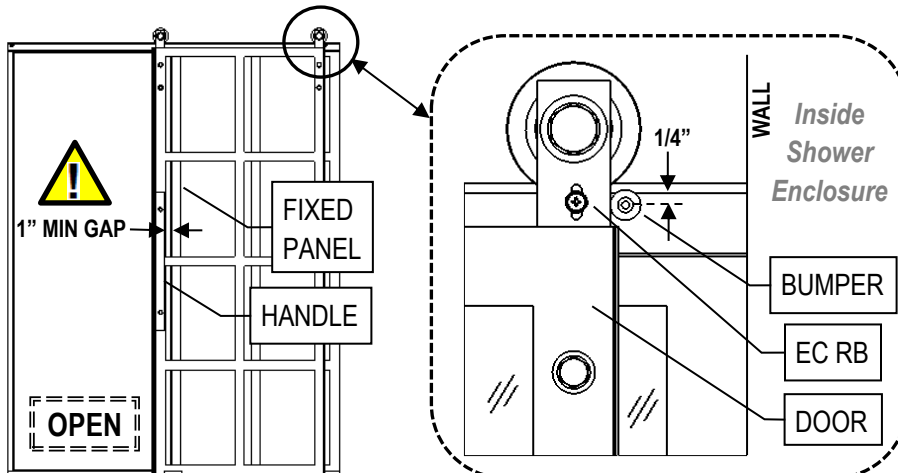
- Sliding Door movement halts when the **Roller Brackets EC RB** stop against **Bumpers** installed on the inside of the **Header CST 960**.
- Locate **Bumpers** vertically at 1/4" from the top edge of the **Header**.
- Locate **Bumpers** horizontally as detailed below.



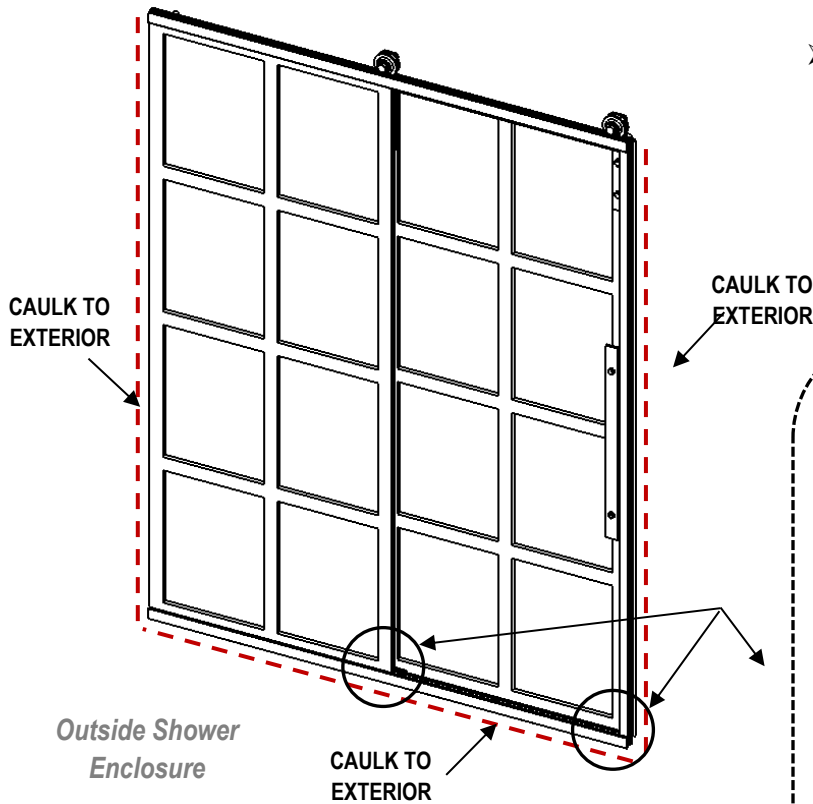
- Close the **Door** until the **Bubble Seal C 959 C** touches the wall.
- Place the first **Bumper** on the back of the **Header** against the **Handle-side Roller Bracket EC RB**.
- Mark hole location on the **Header**.
- Drill 5/32" pilot hole 5/8" deep.
- Secure **Bumper** with **#8 x 3/4" Screw** (Black Head).



- Open the **Door** with minimum 1" gap from the **Handle EC H18** to the **Fixed Panel**.
- Place the second **Bumper** on the back of the **Header** against the **Panel-side Roller Bracket EC RB**.
- Mark hole location on the **Header**.
- Drill 5/32" pilot hole 5/8" deep.
- Secure **Bumper** with **#8 x 3/4" Screw** (Black Head).



**STEP 21. SEAL UNIT EXTERIOR**



- Caulk the crevices where the Sill Cover Dam CST 901 meets the Fixed Panel / Door Jamb Covers CST 964.
- Follow the caulking manufacturer's instructions before using the shower.

- To complete the installation, run a bead of clear mildew resistant caulking around the outside perimeter of the shower at the Sill CST 990 and the Wall Jamb's CST 906 and CST 903.

