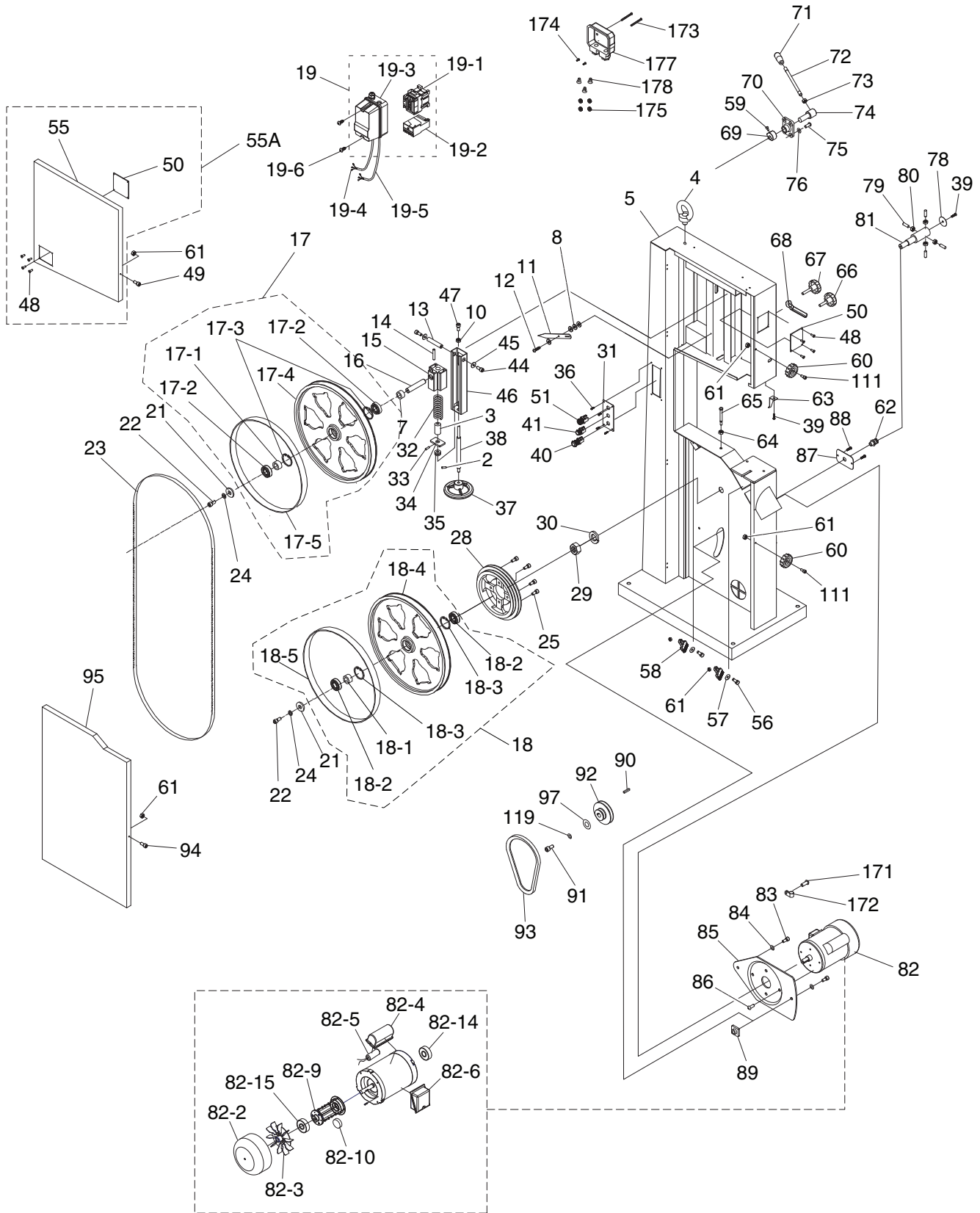


# G0513X2BF Main



# G0513X2BF Main Parts List

REF PART #	DESCRIPTION
2	P0513X2BF002 SET SCREW M6-1 X 10
3	P0513X2BF003 BUSHING
4	P0513X2BF004 LIFTING EYE BOLT M10-1.5
5	P0513X2BF005 MACHINE BODY
7	P0513X2BF007 BUSHING
8	P0513X2BF008 FLAT WASHER 6MM
10	P0513X2BF010 HEX NUT M6-1
11	P0513X2BF011 POINTER
12	P0513X2BF012 STEP SCREW M4-.7 X 5
13	P0513X2BF013 HINGE SHAFT
14	P0513X2BF014 ROLL PIN 5 X 35
15	P0513X2BF015 UPPER WHEEL SHAFT HINGE
16	P0513X2BF016 UPPER WHEEL SHAFT
17	P0513X2BF017 UPPER WHEEL ASSEMBLY
17-1	P0513X2BF017-1 BUSHING
17-2	P0513X2BF017-2 BALL BEARING 6204-2RS
17-3	P0513X2BF017-3 INT RETAINING RING 47MM
17-4	P0513X2BF017-4 UPPER WHEEL 17"
17-5	P0513X2BF017-5 URETHANE TIRE 17" 1-PAIR
18	P0513X2BF018 LOWER WHEEL ASSEMBLY
18-1	P0513X2BF018-1 BUSHING
18-2	P0513X2BF018-2 BALL BEARING 6204-2RS
18-3	P0513X2BF018-3 INT RETAINING RING 47MM
18-4	P0513X2BF018-4 LOWER WHEEL 17"
18-5	P0513X2BF018-5 URETHANE TIRE 17" 1-PAIR
19	P0513X2BF019 MAG SWITCH ASSY SDE MPE-18 220V
19-1	P0513X2BF019-1 CONTACTOR SDE MA-18 220V
19-2	P0513X2BF019-2 OL RELAY SDE RA-20 8-12A
19-3	P0513X2BF019-3 MAG SWITCH COVER ASSEMBLY
19-4	P0513X2BF019-4 CONTROL CORD 16G 5W V2.05.11
19-5	P0513X2BF019-5 MOTOR CORD 14G 5W
19-6	P0513X2BF019-6 PHLP HD SCR M5-.8 X 10
21	P0513X2BF021 WHEEL FLAT WASHER 8MM
22	P0513X2BF022 CAP SCREW M8-1.25 X 16
23	P0513X2BF023 SAW BLADE 131.5" X 1/2" 6TPI HOOK
24	P0513X2BF024 LOCK WASHER 8MM
25	P0513X2BF025 CAP SCREW M8-1.25 X 20
28	P0513X2BF028 WHEEL PULLEY/BRAKE DRUM
29	P0513X2BF029 HEX NUT 1-14
30	P0513X2BF030 LOCK WASHER 1"
31	P0513X2BF031 CONTROL PANEL PLATE
32	P0513X2BF032 COMPRESSION SPRING 7 X 8 X 90
33	P0513X2BF033 ROLL PIN 3 X 16
34	P0513X2BF034 ALIGNMENT PLATE
35	P0513X2BF035 THRUST BEARING 51201
36	P0513X2BF036 TAP SCREW M4 X 10
37	P0513X2BF037 TENSION HANDWHEEL
38	P0513X2BF038 TENSION ADJUSTING ROD
39	P0513X2BF039 FLANGE SCREW M5-.8 X 10
40	P0513X2BF040 STOP BUTTON
41	P0513X2BF041 START BUTTON
44	P0513X2BF044 CAP SCREW M8-1.25 X 16
45	P0513X2BF045 FENDER WASHER 8MM

REF PART #	DESCRIPTION
46	P0513X2BF046 UPPER WHEEL SLIDING BRACKET
47	P0513X2BF047 CAP SCREW M6-1 X 25
48	P0513X2BF048 STEEL BLIND RIVET 3 X 13MM
49	P0513X2BF049 CAP SCREW M6-1 X 10
50	P0513X2BF050 CLEAR WINDOW
51	P0513X2BF051 KEY SWITCH
55A	P0513X2BF055A UPPER WHEEL COVER ASSY
55	P0513X2BF055 UPPER WHEEL COVER
56	P0513X2BF056 HEX BOLT M6-1 X 25
57	P0513X2BF057 FLAT WASHER 6MM
58	P0513X2BF058 WHEEL BRUSH
59	P0513X2BF059 CAP SCREW M6-1 X 25
60	P0513X2BF060 STAR KNOB
61	P0513X2BF061 LOCK NUT M6-1
62	P0513X2BF062 STRAIN RELIEF 16MM STRAIGHT LT
63	P0513X2BF063 HEIGHT POINTER
64	P0513X2BF064 HEX NUT M8-1.25
65	P0513X2BF065 HEX BOLT M8-1.25 X 90
66	P0513X2BF066 STAR KNOB BOLT M10-1.5 X 20
67	P0513X2BF067 STAR KNOB BOLT M10-1.5 X 53
68	P0513X2BF068 THREADED HANDLE M10-1.5
69	P0513X2BF069 CAM
70	P0513X2BF070 PILLOW BLOCK
71	P0513X2BF071 HANDLE M12-1.75
72	P0513X2BF072 LEVER
73	P0513X2BF073 HEX NUT M12-1.75
74	P0513X2BF074 LEVER HUB
75	P0513X2BF075 BUTTON HD CAP SCR M8-1.25 X 20
76	P0513X2BF076 LOCK WASHER 8MM
78	P0513X2BF078 SHAFT COVER
79	P0513X2BF079 SET SCREW M8-1.25 X 20
80	P0513X2BF080 HEX NUT M8-1.25
81	P0513X2BF081 LOWER WHEEL SHAFT
82	P0513X2BF082 MOTOR 2HP 220V 1-PH W/BRAKE
82-2	P0513X2BF082-2 MOTOR FAN COVER
82-3	P0513X2BF082-3 MOTOR FAN
82-4	P0513X2BF082-4 CAPACITOR COVER
82-5	P0513X2BF082-5 R CAPACITOR 45M 400V 2 X 2-1/2
82-6	P0513X2BF082-6 MOTOR JUNCTION BOX
82-9	P0513X2BF082-9 MAGNETIC BRAKE YZG
82-10	P0513X2BF082-10 BRAKE SHOE
82-14	P0513X2BF082-14 BALL BEARING 6205ZZ
82-15	P0513X2BF082-15 BALL BEARING 6203ZZ
83	P0513X2BF083 HEX BOLT M10-1.5 X 25
84	P0513X2BF084 LOCK WASHER 10MM
85	P0513X2BF085 MOTOR MOUNT BRACKET
86	P0513X2BF086 BUTTON HD CAP SCR M8-1.25 X 20
87	P0513X2BF087 STRAIN RELIEF PLATE 1-HOLE
88	P0513X2BF088 TAP SCREW M4 X 10
89	P0513X2BF089 PILLOW BLOCK
90	P0513X2BF090 KEY 5 X 5 X 35
91	P0513X2BF091 HEX BOLT M8-1.25 X 20 LH
92	P0513X2BF092 MOTOR PULLEY TYPE-A 3.5"

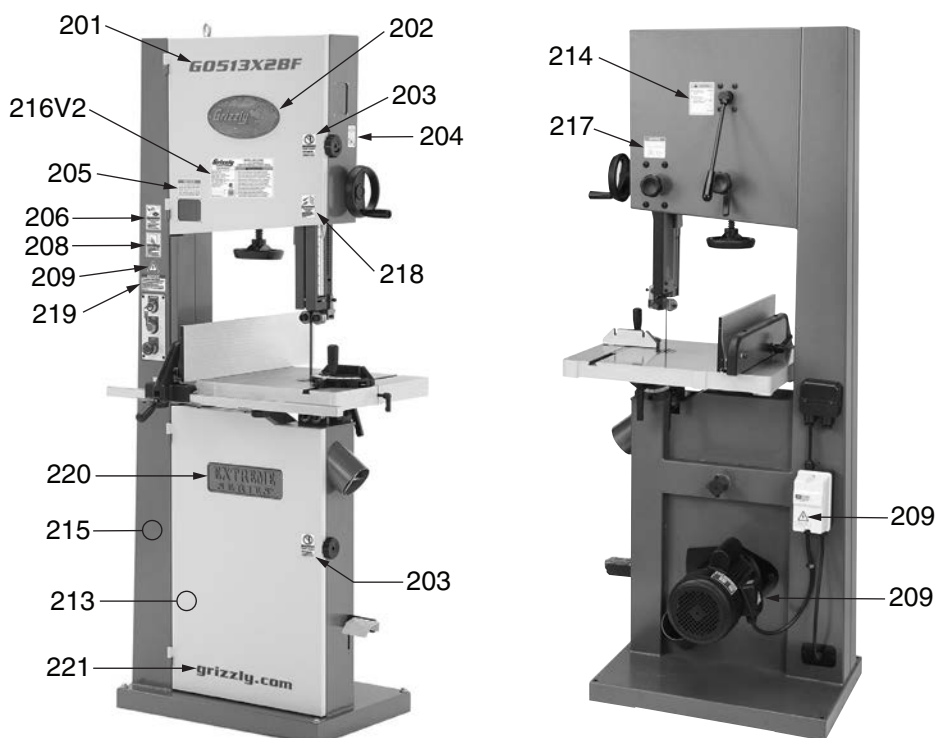


# G0513X2BF Main Parts List

REF	PART #	DESCRIPTION
93	P0513X2BF093	V-BELT A42
94	P0513X2BF094	CAP SCREW M6-1 X 10
95	P0513X2BF095	LOWER WHEEL COVER
97	P0513X2BF097	FENDER WASHER 8MM
111	P0513X2BF111	CAP SCREW M6-1 X 20
119	P0513X2BF119	LOCK WASHER 8MM
171	P0513X2BF171	FLANGE SCREW M5-.8 X 10

REF	PART #	DESCRIPTION
172	P0513X2BF172	CORD CLIP 5/16"
173	P0513X2BF173	FLANGE SCREW M5-.8 X 50
174	P0513X2BF174	PHLP HD SCR M4-.7 X 10
175	P0513X2BF175	EXT TOOTH WASHER 5MM
177	P0513X2BF177	JUNCTION BOX
178	P0513X2BF178	WIRE NUT 14-22G

## G0513X2BF Labels



REF	PART #	DESCRIPTION
201	P0513X2BF201	MODEL NUMBER LABEL
202	P0513X2BF202	NAMEPLATE-LARGE
203	P0513X2BF203	DON'T OPEN DOOR LABEL
204	P0513X2BF204	GUARD ADJUSTMENT LABEL
205	P0513X2BF205	SCALE DIRECTIONS LABEL
206	P0513X2BF206	GLASSES/RESPIRATOR LABEL
208	P0513X2BF208	READ MANUAL LABEL
209	P0513X2BF209	ELECTRICITY LABEL
213	P0513X2BF213	TOUCH-UP PAINT, GRIZZLY PUTTY

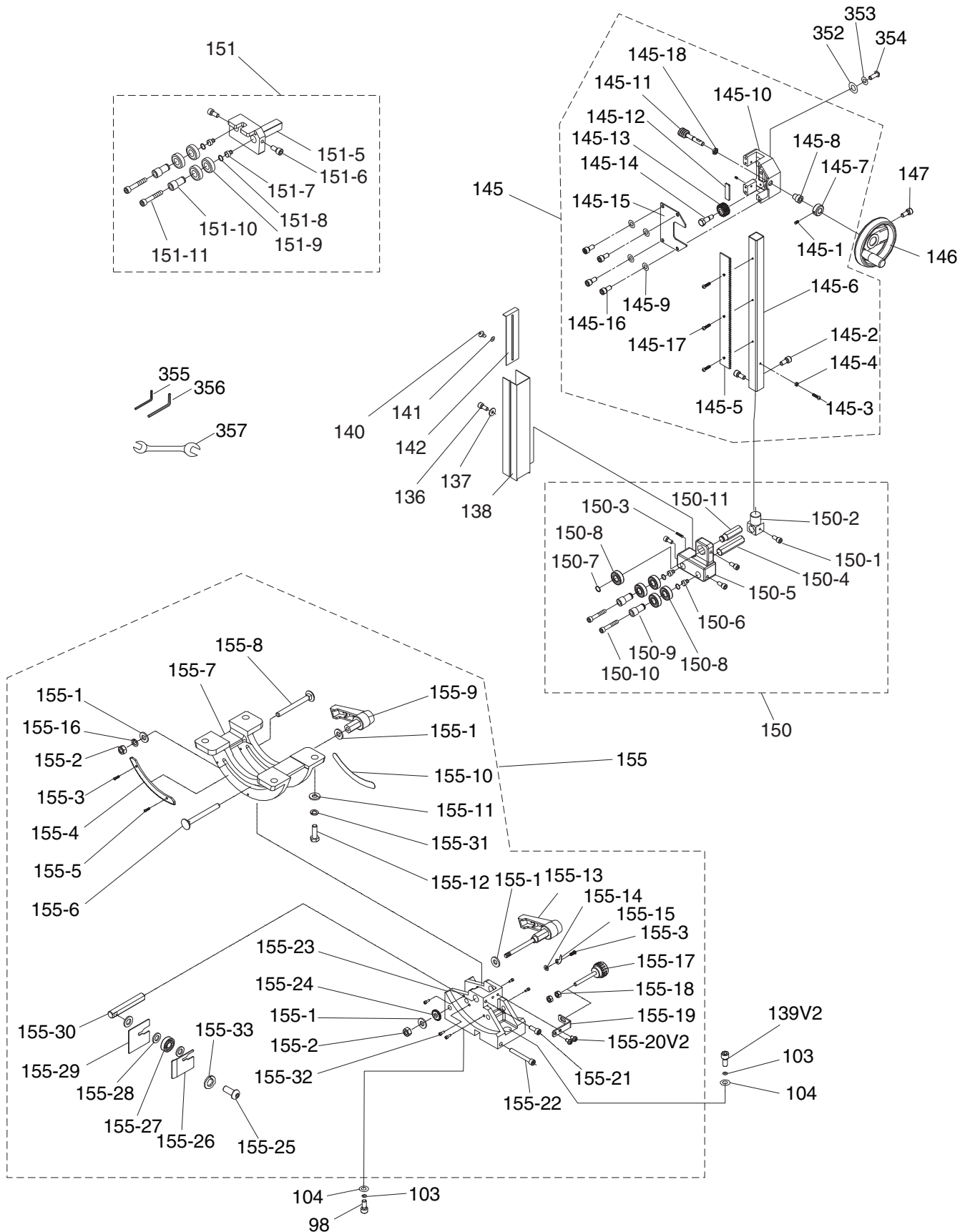
REF	PART #	DESCRIPTION
214	P0513X2BF214	TENSION ADJ LABEL
215	P0513X2BF215	TOUCH-UP PAINT, GRIZZLY GREEN
216V2	P0513X2BF216V2	MACHINE ID LABEL V2.10.18
217	P0513X2BF217	GUIDE POST LOCK LABEL
218	P0513X2BF218	DISCONNECT POWER LABEL
219	P0513X2BF219	MAGNETIC BRAKE LABEL
220	P0513X2BF220	EXTREME SERIES PLATE
221	P0513X2BF221	GRIZZLY.COM LABEL

## WARNING

Safety labels help reduce the risk of serious injury caused by machine hazards. If any label comes off or becomes unreadable, the owner of this machine **MUST** replace it in the original location before resuming operations. For replacements, contact (800) 523-4777 or [www.grizzly.com](http://www.grizzly.com).



# G0513X2, G0513X2B, G0513X2BF & G0513X2F Guides & Trunnions



# G0513X2, G0513X2B, G0513X2BF & G0513X2F Guides & Trunnions Parts List

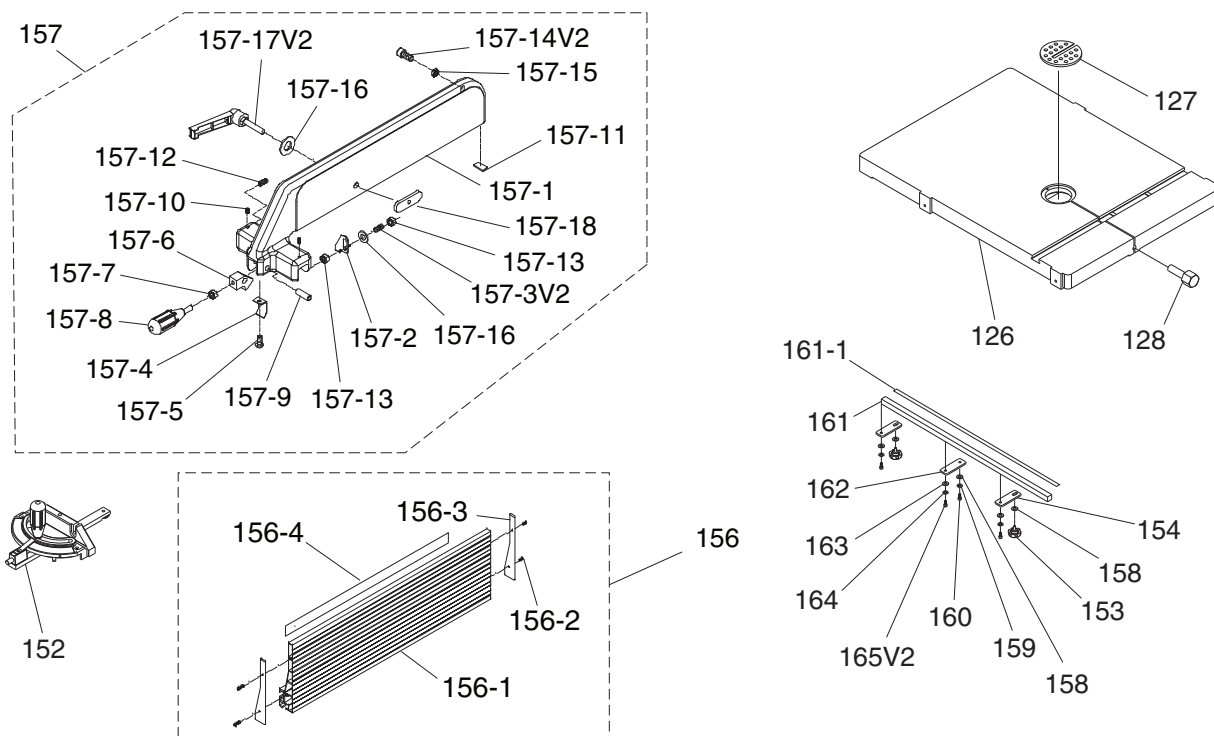
REF	PART #	DESCRIPTION
98	P0513X2098	CAP SCREW M10-1.5 X 35
103	P0513X2103	LOCK WASHER 10MM
104	P0513X2104	FLAT WASHER 10MM
136	P0513X2136	CAP SCREW M5-.8 X 10
137	P0513X2137	FLAT WASHER 5MM
138	P0513X2138	UPPER BLADE GUARD
139V2	P0513X2139V2	CAP SCREW M10-1.5 X 35
140	P0513X2140	STEP SCREW M4-.7 X 5
141	P0513X2141	FIBER WASHER 5MM
142	P0513X2142	SLIDING PLATE
145	P0513X2145	GUIDE POST ASSEMBLY
145-1	P0513X2145-1	SET SCREW M5-.8 X 5
145-2	P0513X2145-2	CAP SCREW M6-1 X 16
145-3	P0513X2145-3	PHLP HD SCR M4-.7 X 10
145-4	P0513X2145-4	HEX NUT M4-.7
145-5	P0513X2145-5	RACK
145-6	P0513X2145-6	GUIDE POST
145-7	P0513X2145-7	LOCK COLLAR
145-8	P0513X2145-8	THREADED BUSHING V2.06.09
145-9	P0513X2145-9	LOCK WASHER 8MM
145-10	P0513X2145-10	THREADED GUIDE BRACKET 14MM V2.06.09
145-11	P0513X2145-11	WORM CYLINDER
145-12	P0513X2145-12	FIXED PLATE
145-13	P0513X2145-13	PINION GEAR 15T
145-14	P0513X2145-14	PINION GEAR STEP BOLT
145-15	P0513X2145-15	BRACKET COVER
145-16	P0513X2145-16	CAP SCREW M8-1.25 X 16
145-17	P0513X2145-17	FLAT HD SCR M4-.7 X 8
145-18	P0513X2145-18	BUSHING
146	P0513X2146	GUIDE POST HANDWHEEL
147	P0513X2147	CAP SCREW M6-1 X 20
150	P0513X2150	UPPER BLADE GUIDE ASSEMBLY
150-1	P0513X2150-1	CAP SCREW M6-1 X 16
150-2	P0513X2150-2	UPPER GUIDE SUPPORT BLOCK
150-3	P0513X2150-3	SET SCREW M6-1 X 10
150-4	P0513X2150-4	ADJUSTMENT BAR
150-5	P0513X2150-5	UPPER BLADE GUIDE SUPPORT
150-6	P0513X2150-6	ECCENTRIC SHAFT
150-7	P0513X2150-7	EXT RETAINING RING 15MM
150-8	P0513X2150-8	BALL BEARING 6202ZZ
150-9	P0513X2150-9	HANDLE BUSHING
150-10	P0513X2150-10	CAP SCREW M6-1 X 35
150-11	P0513X2150-11	UPPER SPACING SHAFT
151	P0513X2151	LOWER BLADE GUIDE ASSEMBLY
151-5	P0513X2151-5	LOWER BLADE GUIDE SUPPORT
151-6	P0513X2151-6	CAP SCREW M6-1 X 16

REF	PART #	DESCRIPTION
151-7	P0513X2151-7	ECCENTRIC SHAFT
151-8	P0513X2151-8	EXT RETAINING RING 15MM
151-9	P0513X2151-9	BALL BEARING 6202ZZ
151-10	P0513X2151-10	HANDLE BUSHING
151-11	P0513X2151-11	CAP SCREW M6-1 X 35
155	P0513X2155	CAST IRON TRUNNION ASSEMBLY
155-1	P0513X2155-1	FLAT WASHER 8MM
155-2	P0513X2155-2	LOCK NUT M8-1.25
155-3	P0513X2155-3	PHLP HD SCR M4-.7 x 6
155-4	P0513X2155-4	GEAR PLATE
155-5	P0513X2155-5	FLAT HD SCR M4-.7 X 6
155-6	P0513X2155-6	CARRIAGE BOLT M8-1.25 X 85
155-7	P0513X2155-7	CAST IRON TRUNNION
155-8	P0513X2155-8	CARRIAGE BOLT M8-1.25 X 80
155-9	P0513X2155-9	LOCK HANDLE M8-1.25
155-10	P0513X2155-10	TABLE TILT SCALE
155-11	P0513X2155-11	FLAT WASHER 8MM
155-12	P0513X2155-12	HEX BOLT M8-1.25 X 25
155-13	P0513X2155-13	LOCK HANDLE M8-1.25
155-14	P0513X2155-14	FLAT WASHER 4MM
155-15	P0513X2155-15	POINTER
155-16	P0513X2155-16	LOCK WASHER 8MM
155-17	P0513X2155-17	ADJUSTMENT KNOB BOLT M6-1
155-18	P0513X2155-18	HEX NUT M6-1
155-19	P0513X2155-19	L-BRACKET
155-20V2	P0513X2155-20V2	FLAT HD SCR M5-.8 X 8
155-21	P0513X2155-21	CAP SCREW M6-1 X 16
155-22	P0513X2155-22	CAP SCREW M6-1 X 50
155-23	P0513X2155-23	TRUNNION SUPPORT BRACKET
155-24	P0513X2155-24	TRUNNION GEAR
155-25	P0513X2155-25	BUTTON HD CAP SCR M10-1.5 X 30
155-26	P0513X2155-26	RIGHT GUARD
155-27	P0513X2155-27	BALL BEARING 6000ZZ
155-28	P0513X2155-28	FLAT WASHER 10MM
155-29	P0513X2155-29	LEFT GUARD
155-30	P0513X2155-30	ADJUSTMENT ROD
155-31	P0513X2155-31	LOCK WASHER 8MM
155-32	P0513X2155-32	CAP SCREW M5-.8 X 6
155-33	P0513X2155-33	LOCK WASHER 10MM
352	P0513X2352	FLAT WASHER 8MM
353	P0513X2353	LOCK WASHER 8MM
354	P0513X2354	BUTTON HD CAP SCR M8-1.25 X 20
355	P0513X2355	HEX WRENCH 5MM
356	P0513X2356	HEX WRENCH 8MM
357	P0513X2357	WRENCH 10 X 13 OPEN-END

**BUY PARTS ONLINE AT GRIZZLY.COM!**  
Scan QR code to visit our Parts Store.




# G0513X2B & G0513X2BF Fence Assembly & Table



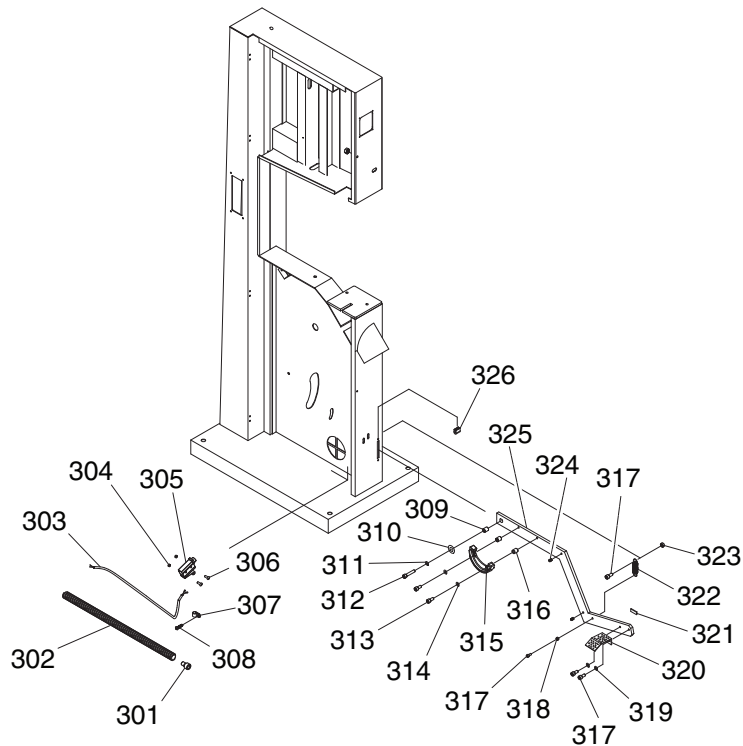
REF	PART #	DESCRIPTION
126	P0513X2B126	TABLE 17" X 24"
127	P0513X2B127	TABLE INSERT
128	P0513X2B128	TABLE PIN
152	P0513X2B152	MITER GAUGE ASSY
153	P0513X2B153	KNOB SCREW M8-1.25 X 20
154	P0513X2B154	OUTER RAIL PLATE
156	P0513X2B156	RESAW FENCE ASSEMBLY
156-1	P0513X2B156-1	ALUMINUM RESAW FENCE 590MM
156-2	P0513X2B156-2	TAP SCREW 3.5 X 8
156-3	P0513X2B156-3	FENCE END PLATE 148 X 22 X 1
156-4	P0513X2B156-4	RESAW FENCE SCALE
157	P0513X2B157	FENCE ASSEMBLY
157-1	P0513X2B157-1	FENCE
157-2	P0513X2B157-2	POINTER
157-3V2	P0513X2B157-3V2	SET SCREW M8-1.25 X 25
157-4	P0513X2B157-4	SPRING PIECE
157-5	P0513X2B157-5	FLANGE SCREW M4-.7 X 8
157-6	P0513X2B157-6	PIVOT BLOCK
157-7	P0513X2B157-7	HEX NUT M8-1.25
157-8	P0513X2B157-8	FENCE LOCK HANDLE

REF	PART #	DESCRIPTION
157-9	P0513X2B157-9	SHAFT
157-10	P0513X2B157-10	PLASTIC SET SCREW M7-1 X 10
157-11	P0513X2B157-11	NYLON PAD
157-12	P0513X2B157-12	SET SCREW M8-1.25 X 12
157-13	P0513X2B157-13	HEX NUT M8-1.25
157-14V2	P0513X2B157-14V2	HEX BOLT M8-1.25 X 20
157-15	P0513X2B157-15	HEX NUT M8-1.25
157-16	P0513X2B157-16	FLAT WASHER 8MM
157-17V2	P0513X2B157-17V2	LOCK HANDLE M8-1.25 X 45 V2.05.11
157-18	P0513X2B157-18	MOVING PLATE
158	P0513X2B158	FLAT WASHER 8MM
159	P0513X2B159	LOCK WASHER 8MM
160	P0513X2B160	CAP SCREW M8-1.25 X 20
161	P0513X2B161	FRONT RAIL
161-1	P0513X2B161-1	FENCE SCALE
162	P0513X2B162	INNER RAIL PLATE
163	P0513X2B163	FLAT WASHER 6MM
164	P0513X2B164	LOCK WASHER 6MM
165V2	P0513X2B165V2	CAP SCREW M6-1 X 20





# G0513X2BF & G0513X2F Foot Brake



REF	PART #	DESCRIPTION
301	P0513X2F301	CONDUIT GROMMET
302	P0513X2F302	FLEXIBLE CONDUIT 1/2" X 42"
303	P0513X2F303	SWITCH CORD 16G 2W
304	P0513X2F304	HEX NUT 4MM
305	P0513X2F305	BRAKE SWITCH SHINOZAKI AZ7141
306	P0513X2F306	PHLP HD SCR M4-.7 X 30
307	P0513X2F307	CORD CLIP 5/8"
308	P0513X2F308	TAP SCREW M4 X 8
309	P0513X2F309	BUSHING
310	P0513X2F310	FLAT WASHER 8MM
311	P0513X2F311	LOCK WASHER 8MM
312	P0513X2F312	CAP SCREW M8-1.25 X 25
313	P0513X2F313	CAP SCREW M6-1 X 25

REF	PART #	DESCRIPTION
314	P0513X2F314	LOCK WASHER 6MM
315	P0513X2F315	BRAKE SHOE
316	P0513X2F316	BUSHING
317	P0513X2F317	CAP SCREW M6-1 X 16
318	P0513X2F318	HEX NUT M6-1
319	P0513X2F319	LOCK WASHER 6MM
320	P0513X2F320	BRAKE PEDDLE
321	P0513X2F321	NYLON PAD
322	P0513X2F322	BRAKE EXTENSION SPRING
323	P0513X2F323	HEX NUT M6-1
324	P0513X2F324	STEP BOLT M7-1 X 10 W/BUSHING
325	P0513X2F325	BRAKE LEVER
326	P0513X2F326	RUBBER CLIP

