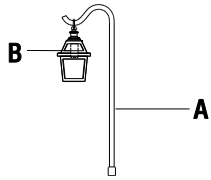
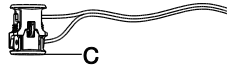


## Use and Care Guide LOW VOLTAGE PATH LIGHT

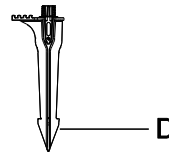
### PACKAGE CONTENTS



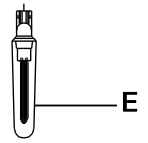
A - Lamp Body x1  
B - Socket x1



C - Wire Connector x1  
(with 12 in. wire attached to lamp body)



D - Ground Stake (6.693 in.) x1



E - Bulb x1

## Assembly and Installation

### 1 Attaching and installing the light

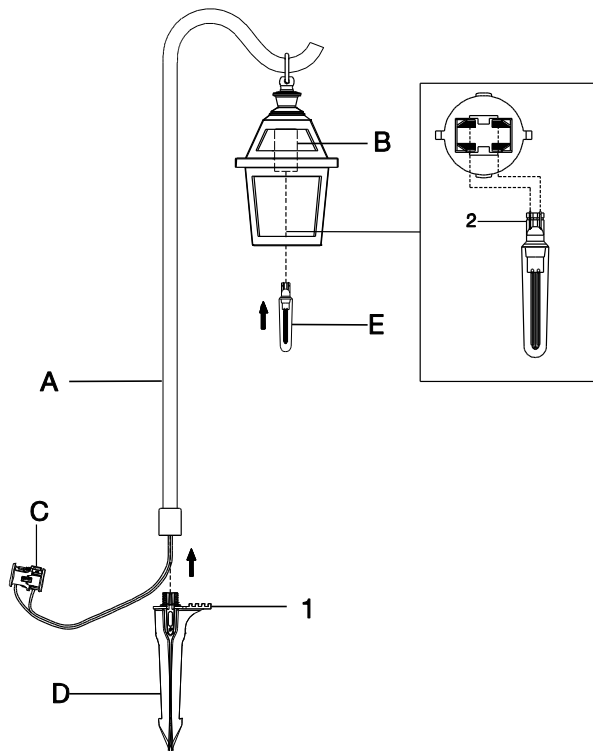


**WARNING:** Never push the fixture into the ground by the lamp body (A) or use a hammer to insert the ground stake (D) into the ground.

- Insert the fixture wire on the wire connector (C) into the groove located on the top of the ground stake (D).
- Ensure the fixture wire on the wire connector (C) stays in the center of the groove of the ground stake (D) to avoid damage to the fixture wire. Screw the lamp body (A) onto the ground stake (D).
- The LED bulb (E) is pre-installed in the socket (B). Remove the packaging around the LED bulb (E).
- Prepare a hole in the installation location. Use a tool such as a screwdriver (sold separately) to prepare the installation hole to ensure the hole is not larger than the ground stake (D).
- Install the fixture in the ground by pushing on the foot step (1) on the ground stake (D). Do not push on the lamp body (A).



**NOTE:** To change the LED bulb (E), pull the LED bulb (E) out of the socket (B) by the base (2). The preinstalled LED bulb (E) is plastic.



### 2 Connecting the wires



**WARNING:** The wire connector (C) contacts have sharp edges for piercing the main low voltage cable. To avoid injury, do not touch the metal contacts.

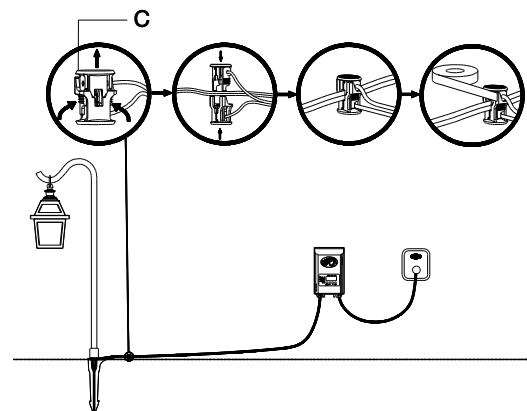


**CAUTION:** The wire from low voltage power unit should be 12-16 AWG type underground low Energy Circuit Cable.



#### IMPORTANT:

- Protect the wiring by routing it in close proximity to the light fitting, or next to a building structure such as a house or a deck.
  - The landscape wire and connector can also be hidden under stone or buried under grass at a maximum depth of 6 in. (15.24 cm).
  - Do not install the fixture within 10 ft. of a pool, spa, or fountain.
  - Do not submerge the fixture in water.
- Place the wire connector (C) on opposite sides of the low voltage cable (not included) from the transformer (not included) where the fixture will be located.
  - Align and fit the main low voltage cable vertically to the slot of the wire connector (C).
  - Press the wire connector (C) together until it is locked around the main low voltage cable. The pre-set prongs will pierce the cable insulation and establish contact with the electrical wire inside.
  - Once the wire connector (C) is in place, it is recommended to wrap it with electrical tape (not included).
  - After all fixtures are installed, turn on the transformer.



## Care and Cleaning

- Clean the fixture with a soft dry cloth.
- Do not use any cleaners with chemicals, solvents or harsh abrasives.

## Troubleshooting

| Problem                            | Possible Cause   | Solution   |
|------------------------------------|--|--|
| The fixture will not light.        | <ul style="list-style-type: none"> <li><input type="checkbox"/> There is no power.</li> <li><input type="checkbox"/> There is a disconnection or break in the wire.</li> <li><input type="checkbox"/> The transformer setting is incorrect.</li> </ul> | <ul style="list-style-type: none"> <li><input type="checkbox"/> Check the outlet and ensure that a breaker or GFCI circuit has not been tripped.</li> <li><input type="checkbox"/> Follow the wires from the fixture and ensure a continuous connected path back to the transformer.</li> <li><input type="checkbox"/> Check the settings on the transformer.</li> </ul> |
| The light flickers (one fixture).  | <ul style="list-style-type: none"> <li><input type="checkbox"/> There is a loose wire connector to the fixture.</li> </ul>   | <ul style="list-style-type: none"> <li><input type="checkbox"/> Tighten the wire connector and ensure the metal contacts pierce the insulation on the low voltage cable from the transformer.</li> </ul>   |
| The lights flicker (all fixtures). | <ul style="list-style-type: none"> <li><input type="checkbox"/> There is a loose connection at the transformer.</li> </ul>   | <ul style="list-style-type: none"> <li><input type="checkbox"/> Unplug the transformer from the outlet and visually inspect the positive and negative connecting points. Each wire should be securely screwed in and not in contact with any other.</li> </ul>   |

## Warranty

### WHAT IS COVERED

The manufacturer warrants this lighting fixture to be free from defects in materials and workmanship for a period of five (5) years from date of purchase. This warranty applies only to the original consumer and only to products used in normal use and service. If this product is found to be defective, the manufacturer's only obligation, and your exclusive remedy, is the repair or replacement of the product at the manufacturer's discretion, provided that the product has not been damaged through misuse, abuse, accident, modifications, alterations, neglect or mishandling.

### WHAT IS NOT COVERED

This warranty shall not apply to any product that is found to have been improperly installed, set-up, or used in any way not in accordance with the instructions supplied with the product. This warranty shall not apply to a failure of the product as a result of an accident, misuse, abuse, negligence, alteration, or faulty installation, or any other failure not relating to faulty material or workmanship. This warranty shall not apply to the finish on any portion of the product, such as surface and/or weathering, as this is considered normal wear and tear.

The manufacturer does not warrant and specifically disclaims any warranty, whether express or implied, of fitness for a particular purpose, other than the warranty contained herein. The manufacturer specifically disclaims any liability and shall not be liable for any consequential or incidental loss or damage, including but not limited to any labor / expense costs involved in the replacement or repair of said product.

Contact the Customer Service Team at 1-855-HD-HAMPTON or visit [www.HamptonBay.com](http://www.HamptonBay.com).

## Cable Selection

| 12 VOLT TAP                             | Cable Length |                 |                 |
|---|--------------|-----------------|-----------------|
|   | 0-50 feet    | 51-100 feet     | 101-150 feet    |
| <b>Total Fixture Wattage</b>            |              |                 |                 |
| 0-60 Watts                              | 16 AWG       | 16 AWG          | 14 AWG          |
| 61-120 Watts                            | 16 AWG       | 14 AWG          | 12 AWG          |
| 121-180 Watts                           | 14 AWG       | 12 AWG          | Not Recommended |
| 181-240 Watts                           | 14 AWG       | 12 AWG          | Not Recommended |
| 241-300 Watts                           | 12 AWG       | Not Recommended | Not Recommended |
| <b>600W Transformer = (2x300) Watts</b> | 12 AWG       | Not Recommended | Not Recommended |
| <b>900W Transformer = (3x300) Watts</b> | 12 AWG       | Not Recommended | Not Recommended |

| 15 VOLT TAP                             | Cable Length |             |                 |
|---|--------------|-------------|-----------------|
|   | 0-50 feet    | 51-100 feet | 101-150 feet    |
| <b>Total Fixture Wattage</b>            |              |             |                 |
| 0-60 Watts                              | 16 AWG*      | 16 AWG      | 16 AWG          |
| 61-120 Watts                            | 16 AWG*      | 16 AWG      | 12 AWG          |
| 121-180 Watts                           | 14 AWG*      | 14 AWG      | 12 AWG          |
| 181-240 Watts                           | 14 AWG*      | 14 AWG      | 12 AWG          |
| 241-300 Watts                           | 12 AWG*      | 12 AWG      | Not Recommended |
| <b>600W Transformer = (2x300) Watts</b> | 12 AWG*      | 12 AWG      | Not Recommended |
| <b>900W Transformer = (3x300) Watts</b> | 12 AWG*      | 12 AWG      | Not Recommended |

\* NOT RECOMMENDED FOR HALOGEN LANDSCAPE LIGHTS

This data is provided as a general guideline. Actual performance will depend on the installation layout, the fixtures, and the condition of the cable.



**NOTE:** Most LED landscape lighting fixtures can operate with full illumination from 9V down to as little as 6V. It is possible to have extended length runs with LED fixtures that go beyond the specifications shown in the guidelines above.