



APG3012G

Owner's Manual

3250 WATT 196 CC

PORTABLE GENERATOR



HAVE QUESTIONS OR NEED SERVICE
DO NOT RETURN TO STORE!
888.896.6881



Please read and save these instructions.

www.jdna.com

3250W Generator

Table of Contents

Topic	Page
Limited Warranty	3
Limitation and Exclusions	5
Safety Guidelines	6
General Precautions	7
Battery	16
Assembly	17
Operation	18
Inspection, Cleaning and Maintenance	24
Installation	25
Compliance	27
Specifications	28
General Parts Listing	29



WARNING! READ AND UNDERSTAND ALL SAFETY PRECAUTIONS IN THIS MANUAL BEFORE OPERATING. FAILURE TO COMPLY WITH INSTRUCTIONS IN THIS MANUAL COULD RESULT IN PERSONAL INJURY, PROPERTY DAMAGE, AND/ OR VOIDING OF YOUR WARRANTY. ALL-POWER WILL NOT BE LIABLE FOR ANY DAMAGE BECAUSE OF FAILURE TO FOLLOW THESE INSTRUCTIONS.



Use conditional requirements:

Plateau instructions : If the elevation is between 2000ft ($\leq 94\text{kPa}$) and 7000ft ($\geq 80\text{kPa}$) , the non-handheld engine need change the carburator which can be got in the maintenance station.

If the elevation is between 1100ft ($\leq 96\text{kPa}$) and 7000ft ($\geq 80\text{kPa}$) , the handheld engine need change the carburator which can be got in the maintenance station.

Owner's Manual

Limited Warranty

JD North America warrants to the original purchaser who uses the product in a consumer application (personal, residential or household usage) that all products covered under this warranty are free from defects in material and workmanship for 2 years or 300 hours whichever comes first (1-year parts and labor and following 1 year parts only) from the date of purchase. All products covered by this limited warranty which are used in commercial applications (i.e. income producing) are warranted to be free of defects in material and workmanship for 90 days from the date of original purchase. Products covered under this warranty include air compressors, air tools, service parts, pressure washers and generators.

An individual or entity that purchases the product from whatever source with the intent to resell the product is an unauthorized reseller ("unauthorized dealer").

Please note this Limited Warranty does not apply to floor models or "demos" (except as specifically provided herein) or to products sold by unauthorized dealers, including without limitation, unauthorized resellers on third party websites, including, without limitation, Craigslist, eBay, Amazon, etc. Unauthorized dealers are not "original purchasers" for the purpose of this Limited Warranty. If purchaser is not the original purchaser of this product, purchaser takes the product "AS IS," "with all faults" and without warranty. If the purchase of this product was not directly from JDNA, proof of purchase will be required to demonstrate that purchaser is the original purchaser and the product was purchased from an authorized dealer, and eligible to make a valid claim under this limited warranty.

JD North America will repair or replace, at JD North America sole option, products or components which have failed within the warranty period. Service will be scheduled according to the normal work flow and business hours at the service center location, and the availability of replacement parts. All decisions of JD North America with regard to this limited warranty shall be final.

This warranty gives you specific legal rights, and you may also have other rights which vary from state to state.

RESPONSIBILITY OF ORIGINAL PURCHASER (initial User):

To process a warranty claim on this product, DO NOT return item to the retailer. The product must be evaluated by an Authorized Warranty Service Center. For the location of the nearest Authorized Warranty Service Center call 888.896.6881.

Retain original cash register sales receipt as proof of purchase for warranty to work.

Use reasonable care in the operation and maintenance of the product as described in the Owner's Manual(s).

Deliver or ship the product to the Authorized Warranty Service Center. Freight costs, if any must be paid by the purchaser.

If the purchaser does not receive satisfactory results from the Authorized Warranty Service Center, the purchaser should contact JD North America.

3250W Generator

Limited Warranty (cont'd)

THIS WARRANTY DOES NOT COVER:

- Merchandise sold as reconditioned, used as rental equipment, or floor or display models.
- Merchandise that has become damaged or inoperative because of ordinary wear, misuse, cold, heat, rain, excessive humidity, freeze damage, use of improper chemicals, negligence, accident, failure to operate the product in accordance with the instructions provided in the Owner's Manual(s) supplied with the product, improper maintenance, the use of accessories or attachments not recommended by JD North America or unauthorized repair or alterations.
- Repair and transportation costs of merchandise determine not to be defective.
- Costs associated with assembly, required oil, adjustments or other installation and start-up costs.
- Expendable parts or accessories supplied with the product which are expected to become inoperative or unusable after a reasonable period of use.(Example: Battery, Spark Plug,Air Filter)
- Merchandise sold by JD North America which has been manufactured by and identified as the product of another company, such as gasoline engines. The product manufacturer's warranty, if any, will apply.
- ANY INCIDENTAL, INDIRECT OR CONSEQUENTIAL LOSS, DAMAGE, OR EXPENSE THAT MAY RESULT FROM ANY DEFECTS, FAILURE OR MALFUNCTION OF THE PRODUCT IS NOT COVERED BY THIS WARRANTY. Some states do not allow the exclusion, so it may not apply to you.
- IMPLIED WARRANTIES, INCLUDING THOSE OF MERCHANTABILITY OR FITNESS FOR A PARTICULAR PURPOSE, ARE LIMITED TO TWO YEARS FROM THE DATE OF ORIGINAL PURCHASE. Some states do not allow limitations on how long an implied warranty lasts, so the above limitations may not apply to you.

3250W Generator

Limitations and exclusions

This Limited Warranty shall not apply to:

1. Bent or broken crankshaft or resultant damage caused by vibration related to a bent or broken crankshaft. Also, damage caused by loose engine mounting bolts or improper or imbalanced accessories or blades mounted to the crankshaft.
2. Repairs required because of prolonged storage including damage caused by old or contaminated fuel in the fuel tank, fuel lines or carburetor, sticky valves or corrosion and rust of engine parts.
3. Repair required due to overheating. (Most often caused by overloaded or clogged or damaged or missing flywheel, fan, inlet air passages, cooling fans or air shrouds.)
4. Dirt or grit related wear caused by improper air cleaner maintenance (most often resulting in worn piston, piston rings, cylinders, valves, valve guides, carburetor or other internal components).
5. Broken or scored parts caused by low oil level, dirty or improper grade of oil.
6. Engine tune-ups and normal maintenance service including, but not limited to, valve adjustment, normal replacement of service items, fuel and lubricating oil, etc.
7. Any engine which has been subject to negligence, misuse, accident, mis-application or over-speeding.
8. Any engine that has been installed, repaired, or altered by anyone in a manner which in JDNA's sole judgment adversely affects its performance or reliability.
9. Any engine which has been fitted with or repaired with parts or components not manufactured or approved by JDNA which in JDNA's sole judgment adversely affects its performance or reliability.
10. Instances when normal use has exhausted the life of a component or an engine, including but not limited to using as a sole source of power.

Owner's Manual

Safety Guidelines - Definitions

This manual contains important information that you need to know and understand in order to protect YOUR SAFETY and to PREVENT EQUIPMENT PROBLEMS. The following symbols help you recognize this information. Please read the manual and pay attention to these sections.

Save These Important Safety Instructions!

Read and understand all of these safety instructions. Be sure to retain them for future use.



WARNING! WARNINGS INDICATE A CERTAINTY OR STRONG POSSIBILITY OF PERSONAL INJURY OR DEATH IF INSTRUCTIONS ARE NOT FOLLOWED.



CAUTION: CAUTIONS INDICATE A POSSIBILITY OF EQUIPMENT DAMAGE IF INSTRUCTIONS ARE NOT FOLLOWED.



NOTE: NOTES GIVE HELPFUL INFORMATION



WARNING! IMPROPER OPERATION OR MAINTENANCE OF THIS PRODUCT COULD RESULT IN SERIOUS INJURY AND PROPERTY DAMAGE. READ AND UNDERSTAND ALL WARNINGS AND OPERATING INSTRUCTIONS BEFORE USING THIS EQUIPMENT. WHEN USING AIR TOOLS, BASIC SAFETY PRECAUTIONS SHOULD ALWAYS BE FOLLOWED TO REDUCE THE RISK OF PERSONAL INJURY.

3250W Generator

General Precautions



WARNING! FAILURE TO FOLLOW THESE INSTRUCTIONS CAN RESULT IN SEVERE INJURY OR DEATH.



CAUTION: FAILURE TO FOLLOW THESE INSTRUCTIONS CAN ALSO RESULT IN DAMAGE TO THE TOOL AND/OR THE ITEM YOU ARE WORKING ON.

DANGER **CARBON MONOXIDE**



Using a generator indoors **WILL KILL YOU IN MINUTES.**

Generator exhaust contains high levels of carbon monoxide (CO), a poisonous gas you cannot see or smell. If you can smell the generator exhaust, you are breathing CO. But even if you cannot smell the exhaust, you could be breathing CO.

- Never use a generator inside your home, basement, or garage or less than 20 feet from any window, door, or vent.



- When using a generator, use a battery-powered or battery backup CO detector in your home.

Even when you use a generator correctly, CO may leak into the home.

If you start to feel sick, dizzy, or weak after the generator has been running, move to fresh air **RIGHT AWAY**. See a doctor. You could have carbon monoxide poisoning.



WARNING! THE EXHAUST CONTAINS POISONOUS CARBON MONOXIDE GAS THAT CAN CAUSE LOSS OF CONSCIOUSNESS AND MAY LEAD TO DEATH.

Gasoline and Oil

This product requires oil and fuel. Attempting to start the engine without oil will ruin the engine and void the warranty. Work in well ventilated area. Keep cigarettes, flames or sparks away from the work area or where gasoline is stored.



WARNING! GASOLINE IS EXTREMELY FLAMMABLE AND IS EXPLOSIVE UNDER CERTAIN CONDITIONS. KEEP OUT OF REACH OF CHILDREN.

- Gasoline fuel and fumes are flammable and potentially explosive. Use proper fuel storage and handling procedures. Always have multiple ABC class fire extinguishers nearby.
- Keep the generator and surrounding area clean at all times.

General Precautions (cont'd)

Gasoline and Oil (cont'd)

- Do not smoke, or allow sparks, flames or other sources of ignition around the engine and fuel tank. Fuel vapors are explosive.
- Keep grounded conductive objects, such as tools, away from exposed, live electrical parts and connections to avoid sparking or arcing. These events could ignite fumes or vapors.
- Do not refill the fuel tank while the engine is running or while the engine is still hot. Do not operate the generator with known leaks in the fuel system
- Excessive buildup of unburned fuel gases in the exhaust system can create a potentially explosive condition. This buildup can occur after repeated failed start attempts, valve testing, or hot engine shutdown. If this occurs, open exhaust system drain plugs, if equipped, and allow the gases to dissipate before attempting to restart the generator.
- Use only engine manufacturer recommended fuel and oil.

Hot Components



WARNING! ENGINE AND EXHAUST SYSTEM PARTS BECOME VERY HOT AND REMAIN HOT FOR SOME TIME AFTER THE ENGINE IS RUN. WEAR INSULATED GLOVES OR WAIT UNTIL THE ENGINE AND EXHAUST SYSTEM HAVE COOLED BEFORE HANDLING THESE PARTS.

Power Output

This generator is not designed to power sensitive electronic equipment (including computers and medical devices) without the addition of an approved line conditioner, which is sold separately.



CAUTION: ATTEMPTING TO POWER SENSITIVE ELECTRONIC EQUIPMENT WITHOUT THE USE OF AN APPROVED LINE CONDITIONER MAY CAUSE DAMAGE TO THE EQUIPMENT. ALL POWER AMERICA IS NOT RESPONSIBLE FOR ANY DIRECT OR INDIRECT DAMAGE CAUSED BY FAILURE TO USE AN APPROVED LINE CONDITIONER.

3250W Generator

General Precautions (cont'd)

Work Area

- Keep your work area clean and well lit. Cluttered benches and dark areas invite accidents.
- Do not operate power tools in explosive atmospheres, such as in the presence of flammable liquids, gases, or dust. Generators create sparks which may ignite the dust or fumes.
- Keep bystanders, children, and visitors away while operating a generator. Provide barriers or shields as needed.

Electrical Safety

- Grounded tools must be plugged into an outlet properly installed and grounded in accordance with all codes and ordinances. Never remove the grounding prong or modify the plug in any way. Do not use any adapter plugs.
- Grounding provides a low-resistance path to carry electricity away from the user in the event of an electrical malfunction.
- Double insulated tools are equipped with a polarized plug where one blade is wider than the other. This plug fits in a polarized outlet only one way. If the plug does not fit fully in the outlet, reverse the plug. If it still does not fit, contact a qualified electrician to install a polarized outlet. Do not change the plug in any way. Double insulation eliminates the need for the three-wire grounded power cord and grounded power supply system.
- Avoid body contact with grounded surfaces such as pipes, radiators, ranges, and refrigerators. There is an increased risk of electric shock if your body is grounded.
- Do not expose generator to rain or wet conditions. Water entering a generator will increase the risk of electric shock.
- Do not abuse the power cord. Keep power cords away from heat, oil, sharp edges, or moving parts. Replace damaged power cords immediately. Damaged power cords increase the risk of electric shock.
- When operating a power tool outside, use an outdoor extension cord marked “W-A” or “W”. These extension cords are rated for outdoor use, and reduce the risk of electric shock.



General Precautions (cont'd)

Electrical Safety (cont'd)

- All connections and conduits from the generator to the load must only be installed by trained and licensed electricians, and in compliance with all relevant local, state, and federal electrical codes and standards, and other regulations where applicable.
- The generator must be earth-grounded for fixed installations in accordance with all relevant electrical codes and standards before operation.
- Do not attempt to connect or disconnect load connections while standing in water, or on wet or soggy ground.
- Do not touch electrically energized parts of the generator and interconnecting cables or conductors with any part of the body, or with any non-insulated conductive object.
- Connect the generator only to a load or electrical system (120 volt) that is compatible with the electrical characteristics and rated capacities of the generator.
- Before servicing equipment powered by the generator, disconnect the equipment from its power input.
- Keep all electrical equipment clean and dry. Replace any wiring where the insulation is cracked, cut abraded or otherwise degraded. Replace terminals that are worn, discolored, or corroded. Keep terminals clean and tight.
- Insulate all connections and disconnected wires.
- Guard against electric shock. Prevent body contact with grounded surfaces such as pipes, radiators, ranges, and refrigerator enclosures.

Personal Safety

- Stay alert. Watch what you are doing, and use common sense when operating a generator. Do not use generator while tired or under the influence of drugs, alcohol, or medication. A moment of inattention while operating generators may result in serious personal injury.
- Dress properly. Do not wear loose clothing or jewelry. Contain long hair. Keep your hair, clothing, and gloves away from moving parts. Loose clothes, jewelry, or long hair can be caught in moving parts.

3250W Generator

General Precautions (cont'd)

Personal Safety (cont'd)

- Avoid accidental starting. Make sure the power switch is in its “OFF” position, and disconnect the spark plug wire when not in use.
- Remove adjusting keys or wrenches before turning the generator on. A wrench or a key that is left attached to a rotating part of the generator may result in personal injury.
- Do not overreach. Keep proper footing and balance at all times.
- Use safety equipment. Always wear eye protection. Wear ANSI approved safety impact eye goggles. Dust mask, non-skid safety shoes, hard hat, or hearing protection must be used for appropriate conditions.
- Do not force the generator. Use the correct generator for your application. The correct generator will do the job better and safer at the rate for which it is designed.
- Do not use the generator if the power switch does not turn it on or off. Any generator that cannot be controlled with the power switch is dangerous and must be replaced.

Generator Use and Care

Make sure the power switch is in its “OFF” position and disconnect the spark plug wire before making any adjustment, changing accessories, or storing the generator. Such preventive safety measures reduce the risk of starting the generator accidentally.

Store idle generators out of reach of children and other untrained persons. Generators are dangerous in the hands of untrained users.

Maintain generators with care. Do not use damaged generator. Tag damaged generators “Do not use” until repaired.

Check for misalignment or binding of moving parts, breakage of parts, and any other condition that may affect the generator’s operation. If damaged, have the generator serviced before using. Many accidents are caused by poorly maintained generators.

Use only accessories that are recommended by the manufacturer for your model. Accessories that may be suitable for one generator may become hazardous when used on another generator.

Owner's Manual

General Precautions (cont'd)

Servicing

Maintain labels and name plates on the generator and engine. These carry important information. If unreadable or missing, contact All-Power immediately for a replacement.

Generator service must be performed only qualified repair personnel. Service or maintenance performed by unqualified personnel could result in a risk of injury.

When servicing a generator, use only identical replacement parts. Follow all appropriate instructions in this manual. Use of unauthorized parts or failure to follow maintenance instructions may create a risk of electric shock or injury.

Heart Pacemakers



WARNING! PEOPLE WITH PACEMAKERS SHOULD CONSULT THEIR PHYSICIAN(S) BEFORE USING THIS PRODUCT. ELECTROMAGNETIC FIELDS IN CLOSE PROXIMITY TO A HEART PACEMAKER COULD CAUSE INTERFERENCE TO OR FAILURE OF THE PACEMAKER.

Installation

- Ensure installation meets all applicable safety, and local and national electrical codes. Have installation performed by a qualified, licensed electrician and building contractor.
- All electrical work, including the earth-ground connection, should be completed by a licensed electrician.
- Any separate fuel storage or generator supply facility must be built or installed in full compliance with all relevant local, state, and federal regulations.

3250W Generator

General Precautions (cont'd)

Installation (cont'd)

- If the generator is installed outdoors, it must be weatherproofed and should be soundproofed. It should not be run outdoors without protection to the generator and wiring conduit.
- The generator weighs 100 lbs (approx). Two or more people should assist when moving or lifting this product. Never lift the generator using the engine or alternator lifting lugs. Connect lifting equipment to the frame of the generator
- Before lifting the generator, ensure the lift rigging and supporting structure are in good condition, and are rated to lift such a load.
- Keep all personnel away from the suspended generator during relocating.
- The supporting floor/ground surface should be level and strong enough to safely hold the weight of the generator. If the floor/grounded surface is not level, strong cross members should be placed under the full length of the generator frame at its low side.
- For trailer installation, the generator should be mounted on the center point of the trailer, over the wheels. The trailer must be capable of supporting the weight of the generator and all contents (tools, etc.)
- Install sound-and weather-proofing only when it is not raining or snowing to avoid trapping moisture within the generator's area.

Mechanical

- Always make sure the power switch is in its "OFF" position. Disconnect the spark plug wire, and allow the engine to completely cool before carrying out maintenance.
- Check for damaged parts. Before using the generator, any part that appears damaged should be carefully checked to determine that it will operate properly and perform its intended function. Check for alignment and binding of moving parts, any broken parts or mounting fixtures, and any other condition that may affect proper operation technician.
- The generator is designed with guards for protection from moving parts. In any case, care must still be taken to protect personnel and equipment from other mechanical hazards when working around the generator.

Owner's Manual

General Precautions (cont'd)

Mechanical (cont'd)

- Do not operate the generator with safety guards removed. While the generator is running, do not attempt to reach around the safety guard for maintenance or any other reason.
- Keep hands, arms, long hair, loose clothing, and jewelry away from moving parts. Be aware that when engine parts are moving fast they cannot be seen clearly.
- Keep access doors on enclosures closed and locked when access is not required.
- When working on or around the generator always wear protective clothing including ANSI approved safety gloves, safety eye goggles, and safety hat.
- Do not alter or adjust any part of the generator that is assembled and supplied by the manufacturer.
- Always follow and complete scheduled engine and generator maintenance.

Chemicals

- Avoid contact with hot fuel, oil, exhaust fumes, and hot solid surfaces.
- Avoid body contact with fuels, oils, and lubricants used in the generator. If swallowed, seek medical treatment immediately. Do not induce vomiting if fuel is swallowed. For skin contact, immediately wash with soap and water. For eye contact, immediately flush eyes with clean water and seek medical attention.

Noise

- Prolonged exposure to noise levels above 68 DBA is hazardous to hearing. Always wear ANSI approved ear protection when operating or working around the generator when it is running.

3250W Generator

General Precautions (cont d)

Extension Cord

If an extension cord (not included) is used, make sure to use only UL approved cords having the correct gauge and length according to the following table:

Nameplate Amps (@ full load)	Cord Lengths			
	0 ft.- 50 ft.	50 ft.-100 ft.	100 ft.-150 ft.	150 ft.-200 ft.
0 - 5	16	16	12	12
5.1 - 8	16	14	10	-
8.1 - 12	14	12	-	-
12.1 - 15	12	10	-	-
15 - 20	10	10	-	-

Owner's Manual

Battery

This product does not need a battery.

3250W Generator

Assembly

No assembly is required.

Owner's Manual

Operation



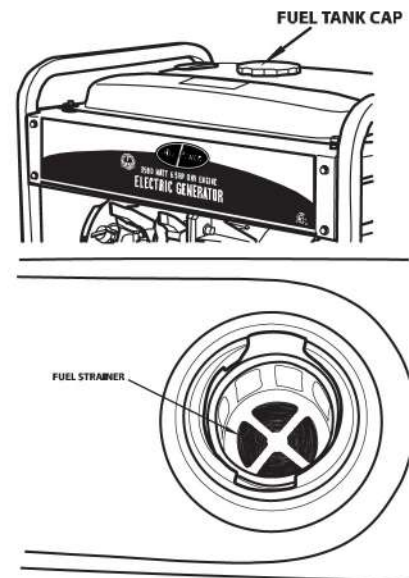
NOTE: THE PARTS LISTED ABOVE ARE HELPFUL FOR LOCATING THE CONTROLS MENTIONED BELOW.



CAUTION: PRIOR TO FIRST USING THE GENERATOR, THE ENGINE MUST BE FILLED WITH OIL OF A HIGH QUALITY SAE 10W-30 GRADE ENGINE OIL. TO DO SO, UNSCREW AND REMOVE THE ENGINE'S OIL DIPSTICK LOCATED AT THE BOTTOM OF THE ENGINE CRANKCASE. FILL THE ENGINE'S CRANKCASE UNTIL THE OIL LEVEL IS LEVEL WITH THE UPPER MARKED LINE ON THE DIPSTICK. THEN SCREW THE DIPSTICK BACK INTO THE OIL FILL HOLE.

Before Starting the Generator

1. Check that the engine power switch is in its "OFF" position.
2. Before the first use, remove the fuel tank cap and fill the fuel tank with unleaded gasoline. When fueling, be sure that the fuel strainer is in place. Replace the fuel tank cap. Thereafter, check the engine's fuel gauge for the amount of unleaded gasoline in the fuel tank. If necessary, refill the fuel tank with unleaded gasoline; the generator must be turned off and cooled down before refilling the fuel tank.



3250W Generator

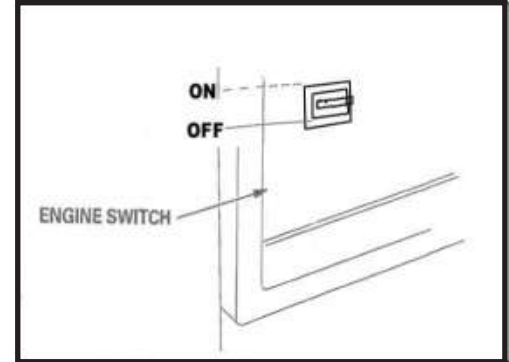
Operation (cont d)

Starting

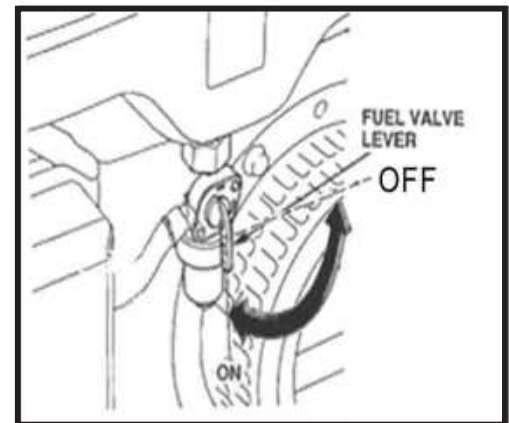
1. Turn the engine switch to the ON position.
The engine switch enables and disables the ignition system.

OFF: To stop the engine

ON: To run the engine



2. The fuel valve is located under the fuel tank . When the valve lever is in the ON position, fuel is allowed to flow from the fuel tank to the carburetor. Be sur to return the fuel valve lever to the OFF position after stopping the engine.

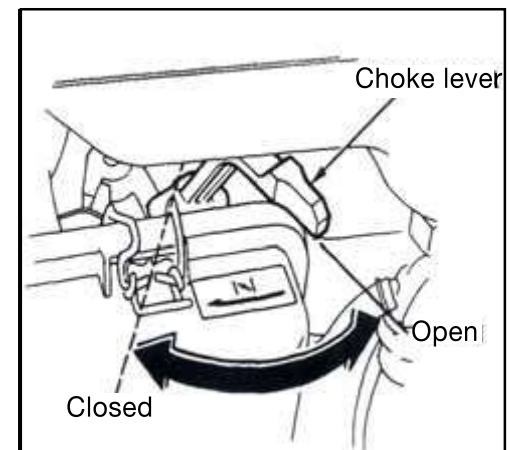


3. To start a cold engine, move the choke lever to the CLOSED position. To restart a warm engine, leave the choke lever in the OPEN position.

The choke lever opens and closes the choke valve in the carburetor.

The CLOSED position enriches the fuel mixture from starting a cold engine.

The OPEN position provides the correct fuel mixture for operation after starting, and for restarting a warm engine.

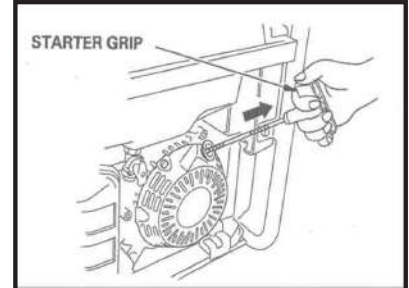


3250W Generator

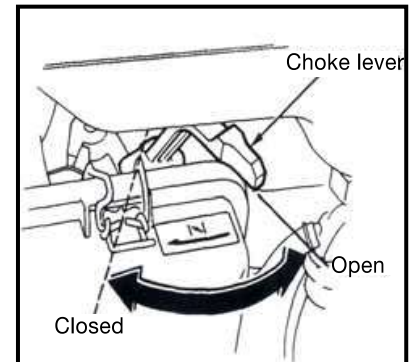
Operation (cont d)

Starting

4. Operate the Recoil Starter:
Pull the starter grip lightly until you feel resistance, then pull briskly. Return the starter grip gently. Pulling the starter grip operates the recoil starter to crank the engine

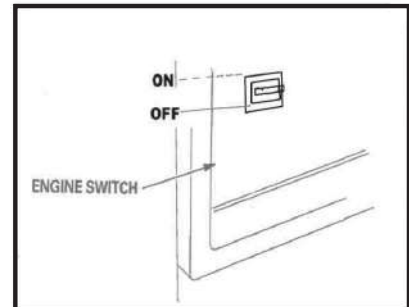


5. If the choke lever has been moved to the CLOSED position to start the engine, gradually move it to the OPEN position as the engine warms up.



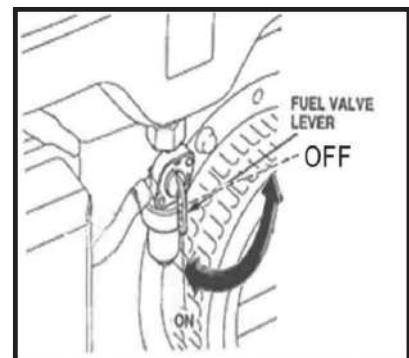
Stopping Engine

1. Turn the engine switch to the OFF position.



2. Turn the fuel valve lever to the OFF position.

When the engine is not in use, leave the fuel valve lever in the OFF position to prevent carburetor flooding and to reduce the possibility of fuel leakage.



Operation (cont'd)

Powering 120 Volt AC Tools And Equipment:

1. Prior to powering tools and equipment, make sure the generator's rated voltage, and amperage capacity (120 V AC @ 20 AMPs) is adequate to supply all electrical loads that the unit will power. If powering exceeds the generator's capacity, it may be necessary to group one or more of the tools and/or equipment for connection to a separate generator.



CAUTION: ATTEMPTING TO POWER SENSITIVE ELECTRONIC EQUIPMENT WITHOUT THE USE OF AN APPROVED LINE CONDITIONER MAY CAUSE DAMAGE TO THE EQUIPMENT. ALL POWER AMERICA IS NOT RESPONSIBLE FOR ANY DIRECT OR INDIRECT DAMAGE CAUSED BY FAILURE TO USE AN APPROVED LINE CONDITIONER.

2. Once the generator is running, simply connect the power cords of 120 volt AC powered tools and equipment into the 120 volt AC dual outlets.



NOTE: THE GENERATOR FEATURES AN AC NON-FUSE CIRCUIT BREAKER TO PROTECT THE AC CIRCUIT IN CASE OF AN OVERLOAD. SHOULD AN OVERLOAD OCCUR, THE BREAKER WILL "TRIP" TO ITS "OFF" POSITION, CAUSING THE GENERATOR TO AUTOMATICALLY SHUT DOWN. IN THIS CASE, REFER TO ABOVE IN THIS POSITION. THEN, RESET THE CIRCUITRY SYSTEM BY TURNING THE CIRCUIT BREAKER TO ITS "ON" POSITION. RESTART THE GENERATOR AND CONTINUE POWERING THE REMAINING TOOLS AND EQUIPMENT.

3. Note: The Generator features an AC Non-Fuse Circuit Breaker "OFF" position. Turn the fuel valve to its "OFF" position.
4. Disconnect all electrical powered tools and equipment from the generator's 120 volt AC dual outlets.
5. After the engine and generator have completely cooled, store generator in a safe, clean, dry location (if not already installed).

3250W Generator

Operation (cont'd)

Powering 12 Volt DC tools and Equipment:

1. Prior to powering tools and equipment, make sure the generator's rated voltage, and amperage capacity (12VDC) is adequate to supply all electrical loads that the unit will power. If powering exceeds the generator's capacity, it may be necessary to group one or more of the tools and/or equipment for connection to a separate generator.
2. Connect the power cord of a 12 VDC powered tool or equipment to the DC Terminals.



CAUTION: MAKE SURE TO CONNECT THE POSITIVE (+) LEAD OF THE POWER CORD TO THE POSITIVE (+) TERMINAL ON THE GENERATOR, AND CONNECT THE NEGATIVE (-) LEAD OF THE POWER CORD TO THE NEGATIVE (-) TERMINAL ON THE GENERATOR.

3. If using only a 12 a volt DC tool or equipment, turn the 120 volt AC If using only a 12 a volt DC tool or equipment, turn the 120 volt AC
4. Start and run the engine as described above
5. When finished using the generator, turn the engine power switch to its "OFF" position. Turn the fuel valve to its "OFF" position.
6. Disconnect the electrical powered tools' power cord from the generator's DC terminals.
7. After the engine and generator have completely cooled, store the generator in a safe, clean, dry location (if not already installed in one).

Operation (cont'd)

Spark Plug Service

In order to service the spark plug, you will need a spark plug wrench (commercially available). Recommended spark plugs: NHSP LD F7TC or NGKBPRGES but we recommend our OEM spark plug. To ensure proper engine operation, the spark plug must be properly gapped and free of deposits.

1. Remove the spark plug cap.
2. Use a spark plug wrench to remove the spark plug.
3. Visually inspect the spark plug. Discard it if the insulator is cracked or chipped. Clean the spark plug with a wire brush if it is to be reused.
4. Measure the plug gap with a feeler gauge.
5. Check that the spark plug washer is in good condition.
6. After the spark plug is seated, tighten with a spark plug in by hand to prevent cross-threading.
7. After the spark plug is seated, tighten with a spark plug wrench to compress the washer.



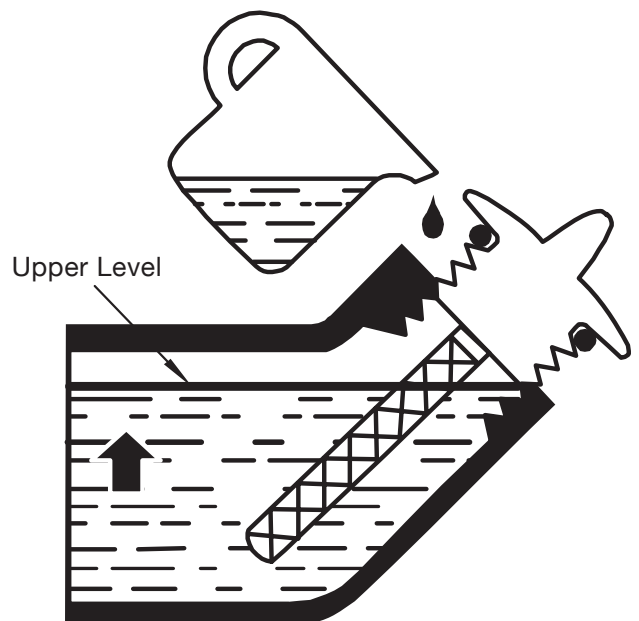
NOTE: THE SPARK PLUG MUST BE SECURELY TIGHTENED. AN IMPROPERLY TIGHTENED SPARK PLUG CAN BECOME VERY HOT AND COULD DAMAGE THE ENGINE. NEVER USE SPARK PLUGS WHICH HAVE AN IMPROPER HEAT RANGE. USE ONLY RECOMMENDED SPARK PLUG OR EQUIVALENT.

Inspection, Cleaning, and Maintenance



WARNING! ALWAYS MAKE SURE THE ENGINE POWER SWITCH (2) IS IN ITS “OFF” POSITION. DISCONNECT THE SPARK PLUG WIRE FROM THE ENGINE. AND ALLOW SUFFICIENT TIME FOR THE ENGINE AND GENERATOR TO COMPLETELY COOL BEFORE PERFORMING ANY INSPECTIONS, MAINTENANCE, OR CLEANING.

- Before each use, inspect the generator. Check for:
 - Loose screws
 - Misaligned or binding moving parts
 - Cracked or broken parts
 - Damaged electrical wiring
 - Any other condition that may affect safe operation.
- If an engine problem occurs, have it checked by a qualified service technician before further use. Do not use damaged equipment.
- Before each use, make sure the engine's oil and gas levels are adequate. If necessary, fill the crankcase until the oil level is even with the oil hill hole and/or fill the fuel tank.
- Before each use, remove all debris with a soft brush, rag, or vacuum.
- Lubricate all moving parts using a premium quality, lightweight machine oil.
- Every 50 hours of use, drain the old engine oil and replace with a high a high quality SAE 10W-30 grade engine oil.
- Every 300 hours of use, have a qualified, certified technician perform thorough maintenance on the generator and engine.
- For long term storage, either drain fuel into suitable container or add a fuel preservative/ stabilizer (not included) to prevent fuel breakdown.



3250W Generator

Installation



NOTE: PRIOR TO POWERING TOOLS AND EQUIPMENT MAKE SURE THE GENERATOR'S RATED VOLTAGE, WATTAGE AND AMPERAGE CAPACITY IS ADEQUATE TO SUPPLY ALL ELECTRICAL LOADS THAT THE UNIT WILL POWER. IF POWERING EXCEEDS THE GENERATOR'S CAPACITY, IT MAY BE NECESSARY TO GROUP ONE OR MORE OF THE TOOLS AND/OR EQUIPMENT FOR CONNECTION TO A SEPERATE GENERATOR.

Electrical and other permits may be required for the installation of emergency power systems. Investigate your local building and electrical codes before installing this unit. Installation must be completed by licensed contractors.



WARNING! THE GENERATOR WEIGHS APPROXIMATELY 100 POUNDS. USE CARE AND THE PROPER LIFTING OR HOISTING EQUIPMENT WHEN MOVING IT TO THE INSTALLATION LOCATION. ALWAYS CONNECT HOIST LINES TO THE FRAME OF THE GENERATOR.

General Location

- Make sure to locate and install the generator outdoors where cooling air is readily available.
- Install the generator so that the air inlets and outlets are not blocked by obstructions such as bushes, trees, or snow drifts. Locating it in the path of heavy winds or snowdrifts may require the placement of a barrier for protection. In normal weather conditions, the air vent should face the prevailing wind direction.
- Install the generator on a concrete slab or other area where rain drainage or flood waters can not reach it.
- Generator placement should allow four feet of access to all sides for maintenance.
- Place the generator as close as possible to the electrical tools and equipment being powered to reduce the length of extension cords.

Installation (cont'd)

Supporting and Mounting

Mount the generator on a concrete slab capable of supporting the weight of the generator. The slab must extend on all sides beyond the frame by at least one foot. Contact a cement contractor for slab specifications if necessary. Attach the frame to the concrete slab using 3/8" diameter expansion anchor bolts (not supplied).

Grounding



NOTE: IT IS RECOMMENDED THAT ONLY A TRAINED AND LICENSED ELECTRICIAN PERFORM THIS PROCEDURE

Connect a #6 AWG grounding wire (not included) from the ground connector (8) on the generator to a grounding rod (not included) that has been driven at least 24 inches deep into the earth. The grounding rod must be an earth-driven copper or brass rod (electrode) which can adequately ground the generator.

3250W Generator

Compliance

You should get a certificate of EPA while yo purchased this product.

Owner's Manual

Specifications

AC electrical

Current Output	120V AC @ 20A 60Hz
Continuous/rated Wattage	2,500
Peak Wattage	3,250
Outlet	2 120V AC, 3 spring grounded

DC electrical

12V DC

Gasoline engine

Type	4-cycle OHV air-cooled recoil start
Displacement	196cc
Oil capacity	0.6quart (0.56 liter)
EPA approved	yes

Fuel

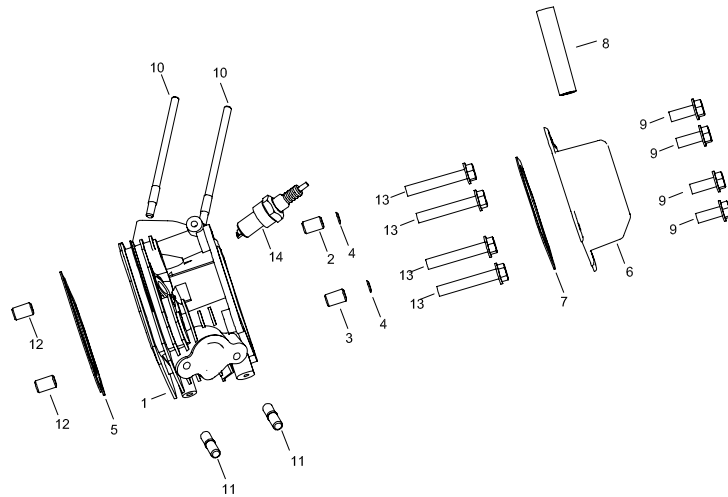
Type	Unleaded gasoline
Capacity	4 gallons (15 liters)
Running time	8 hours (approx.)

Weight

Approximate weight	100 lbs.
--------------------	----------

3250W Generator

Cylinder head system assy.

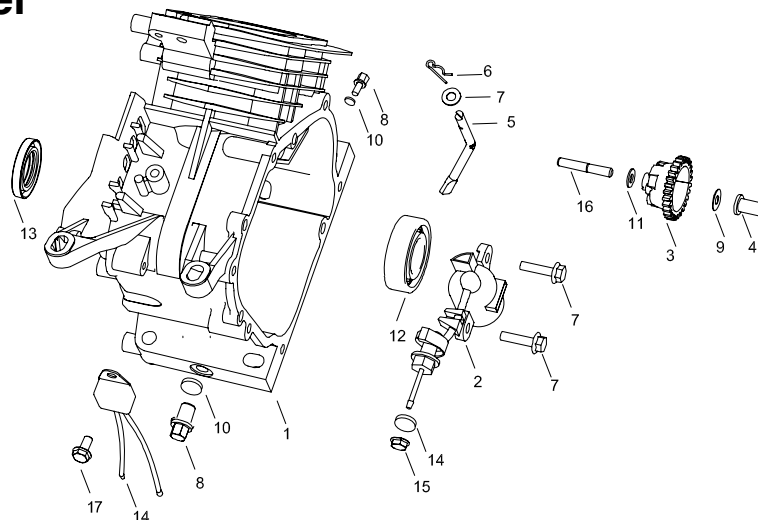


A

APA Part No.	Description	Part. No
APG3012-A-01-JD	CYLINDER HEAD COMP.	JF200-A-01
APG3012-A-02-JD	EX. VALVE GUIDE	JF168-A-02
APG3012-A-03-JD	IN. VALVE GUIDE	JF168-A-03
APG3012-A-04-JD	VALVE GUIDE CLIP	JF168-A-04
APG3012-A-05-JD	CYLINDER HEAD SEALING PAD	JF200-A-05
APG3012-A-06-JD	HEAD COVER COMP.	JF168-A-06
APG3012-A-07-JD	HEAD COVER PACKING	JF168-A-07
APG3012-A-08-JD	TUBE	JF168-A-08B
APG3012-A-09-JD	HEAD COVER COMP. BOLT (MX12)	JF168-A-09
APG3012-A-10-JD	CARBURETOR STUD BOLT	JF168-A-10B
APG3012-A-11-JD	EXHAUST PIPE STUD BOLT	JF168-A-11
APG3012-A-12-JD	DOWEL PIN (10X16)	JF168-A-12
APG3012-A-13-JD	FLANGE BOLT (M8X58)	JF168-A-12
APG3012-A-14-JD	SPARK PLUG	JF168-A-12

3250W Generator

Cylinder barrel

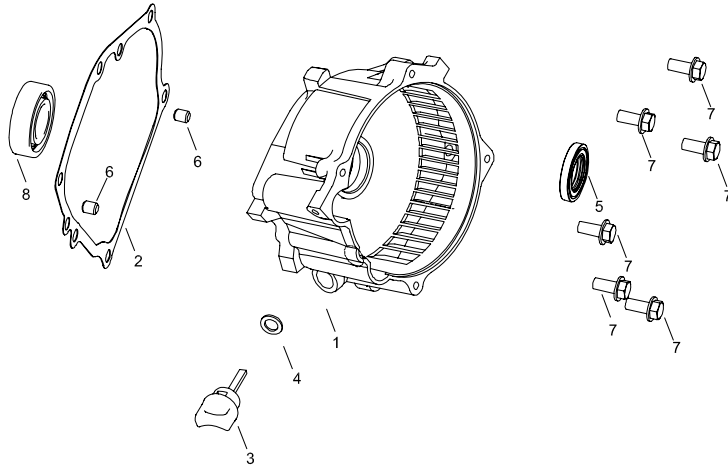


B

APA Part No.	Description	Part. No
APG3012-B-01-JD	CRANK CASE	JF200-B-01
APG3012-B-02-JD	OIL LEVEL SWITCH ASSY.	JF168-B-02
APG3012-B-03-JD	GOVERNOR GEAR ASSY.	JF168-B-03
APG3012-B-04-JD	SLIDER SHAFT	JF168-B-02
APG3012-B-05-JD	GOVERNOR ARM SHAFT	JF168-B-02
APG3012-B-06-JD	LOCK PIN (8mm)	JF168-B-04
APG3012-B-07-JD	WASHER	JF168-B-05
APG3012-B-08-JD	DRAIN PLUG BOLT	JF168-B-06
APG3012-B-09-JD	THRUST WASHER (6mm)	JF168-B-07
APG3012-B-10-JD	DRAIN PLUG WASHER (10.2mm)	JF168-B-08
APG3012-B-11-JD	SLIDER WASHER	JF168-B-09
APG3012-B-12-JD	BALL BEARING (6205)	JF168-B-10
APG3012-B-13-JD	OIL SEAL ($\phi 25 \times \phi 41.25 \times 6$)	JF168-B-11
APG3012-B-14-JD	OIL ALERT	JF168-B-12
APG3012-B-15-JD	FLANGE NUT (M10)	JF168-B-13
APG3012-B-16-JD	GOVERNOR SLIDER	JF168-B-13
APG3012-B-17-JD	FLANGE BOLT (M6X12)	JF168-B-13

3250W Generator

Crankcase cover system assy.

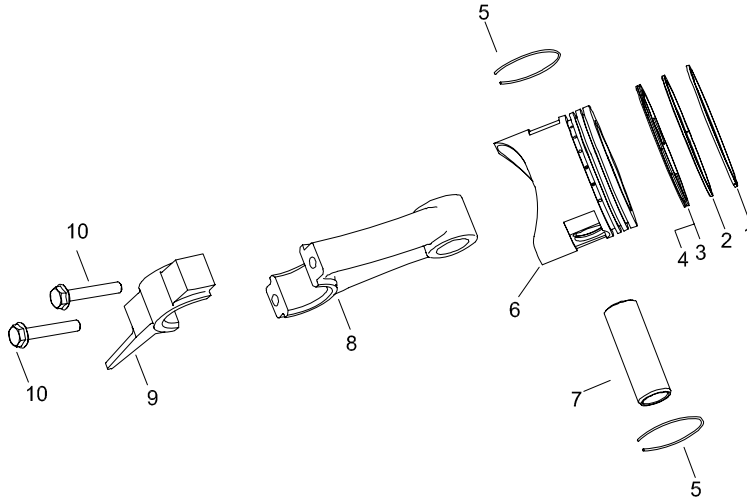


C

APA Part No.	Description	Part. No
APG3012-C-01-JD	CRANKCASE COVER	JF168-C-01B
APG3012-C-02-JD	CRANKCASE COVER PAD	JF168-C-02
APG3012-C-03-JD	OIL SCALE	JF168-C-03
APG3012-C-04-JD	OIL SCALE SEAL	JF168-C-04
APG3012-C-05-JD	OIL SEAL($\phi 25 \times \phi 41.25 \times 8$)	JF168-C-05
APG3012-C-06-JD	DOWEL PIN (8X 14)	JF168-C-06
APG3012-C-07-JD	FLANGE BOLT (M8X28)	JF168-C-07
APG3012-C-08-JD	BALL BEARING (6205)	JF168-C-08

3250W Generator

Piston and connecting rod system assy.

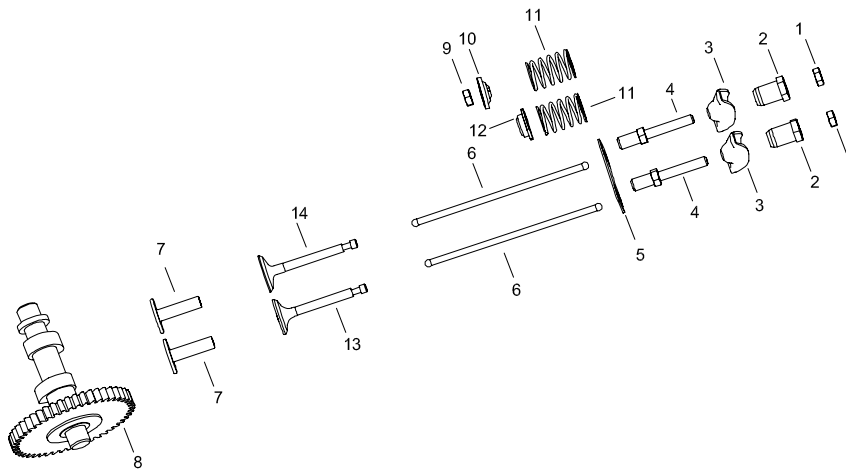


E

APA Part No.	Description	Part. No
APG3012-E-01-JD	COMPRESSION RING A	JF200-E-01
APG3012-E-02-JD	COMPRESSION RING B	JF200-E-02
APG3012-E-03-JD	OIL RING A	JF200-E-03
APG3012-E-04-JD	OIL RING B	JF200-E-04
APG3012-E-05-JD	PISTON PIN CLIP	JF200-E-05
APG3012-E-06-JD	PISTON	JF200-E-05
APG3012-E-07-JD	PISTON PIN	JF200-E-06
APG3012-E-08-JD	CONNECTING ROD	JF200-E-07
APG3012-E-09-JD	CONNECTING COVER	JF200-E-08
APG3012-E-10-JD	CONNECTING ROD BOLT	JF200-E-09

3250W Generator

Recoil starter system assy.

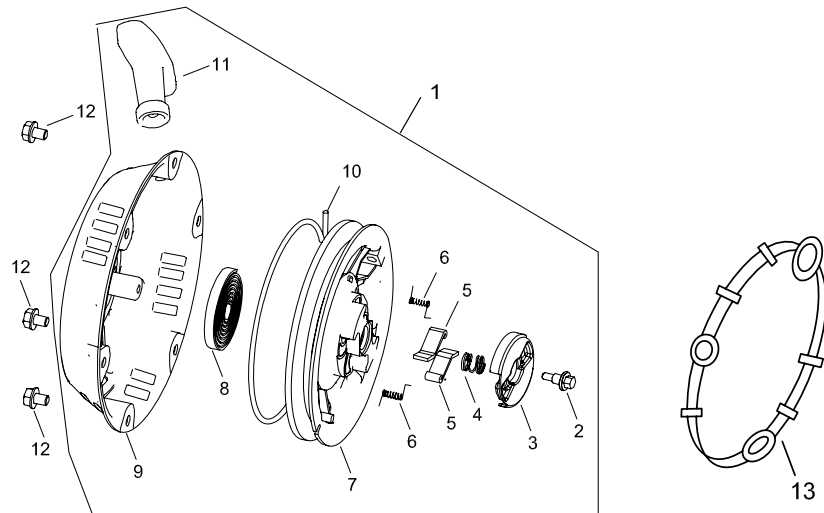


F

APA Part No.	Description	Part. No
APG3012-F-01-JD	PIVOT ADJUSTING NUT	JF168-F-01
APG3012-F-02-JD	ROCKER ARM PIVOT	JF168-F-02
APG3012-F-03-JD	ROCKER ARM	JF168-F-03
APG3012-F-04-JD	PIVOT BOLT (M8)	JF168-F-04
APG3012-F-05-JD	PUSH ROD GUIDE PLATE	JF168-F-05
APG3012-F-06-JD	PUSH ROD	JF168-F-06
APG3012-F-07-JD	VALVE LIFTER	JF168-F-07
APG3012-F-08-JD	CAMSHAFT	JF168-F-08
APG3012-F-09-JD	VALVE ROTATOR	JF168-F-09
APG3012-F-10-JD	EX. VALVE SPRING RETAINER	JF168-F-10
APG3012-F-11-JD	VALVE SPRING	JF168-F-11
APG3012-F-12-JD	IN. VALVE SPRING RETAINER	JF168-F-12
APG3012-F-13-JD	IN. VALVE	JF168-F-13
APG3012-F-14-JD	EX. VALVE	JF168-F-14

3250W Generator

Recoil starter system assy.

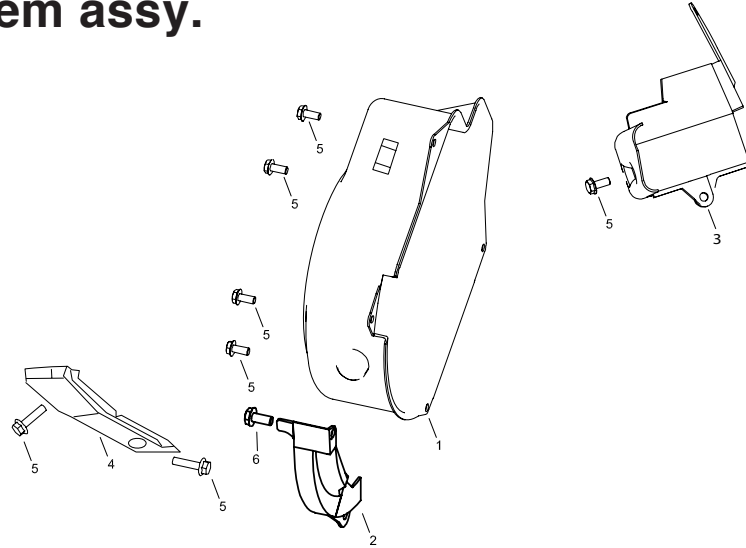


G

APA Part No.	Description	Part. No
APG3012-G-01-JD	RECOIL STARTER ASSY.	JF168-G-01
APG3012-G-02-JD	SETTING SCREW	JF168-G-02
APG3012-G-03-JD	SPRING RETAINER	JF168-G-03
APG3012-G-04-JD	PLATEN SPRING	JF168-G-04
APG3012-G-05-JD	STARTER RATCHET	JF168-G-05
APG3012-G-06-JD	RETURN SPRING	JF168-G-06
APG3012-G-07-JD	RECOIL STARTER REEL	JF168-G-07
APG3012-G-08-JD	RECOIL STARTER SPRING	JF168-G-08
APG3012-G-09-JD	RECOIL STARTER CASE COMP.	JF168-G-09
APG3012-G-10-JD	RECOIL STARTER ROPE	JF168-G-10
APG3012-G-11-JD	STARTER KNOB	JF168-G-11
APG3012-G-12-JD	FLANGE BOLT (M6X8)	JF168-G-12
APG3012-G-13-JD	RECOIL STARTER SPACER	JF200-G-13

3250W Generator

Fan cover system assy.

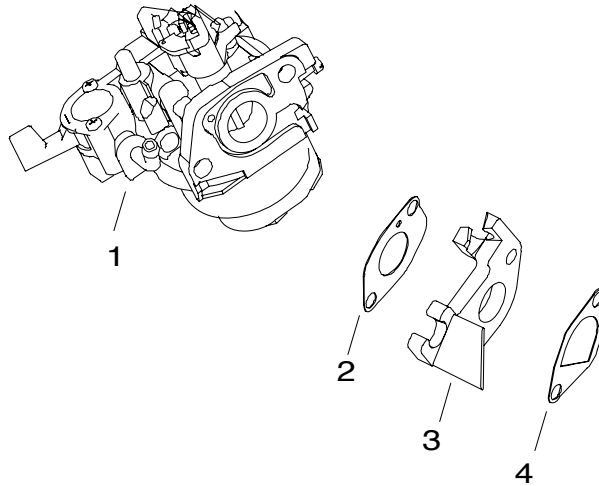


H

APA Part No.	Description	Part. No
APG3012-H-01-JD	FAN COVER COMP.	JF168-H-01
APG3012-H-02-JD	FLYWHEEL SIDE PLATE	JF168-H-02
APG3012-H-03-JD	SHROUD	JF168-H-03
APG3012-H-04-JD	AIR CLEANER SUPPORT	JF168-H-04
APG3012-H-05-JD	FLANGE BOLT (M6 X 12)	JF168-H-05
APG3012-H-06-JD	FLANGE BOLT (M6 X 16)	JF168-H-06

3250W Generator

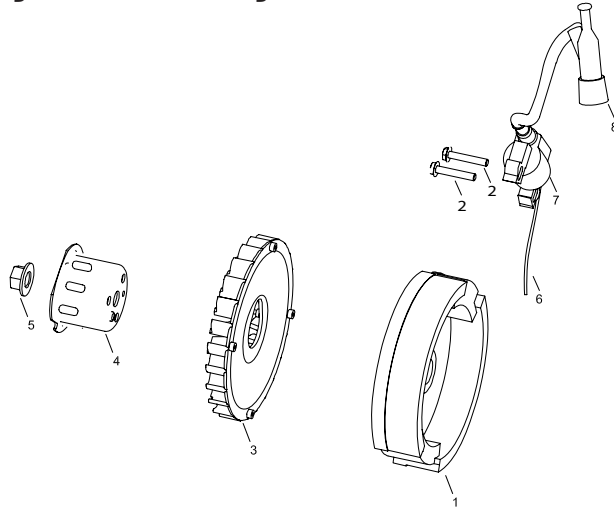
Carburetor system assy.



APA Part No.	Description	Part. No
APG3012-I-01-JD	CARBURETOR ASSY.	JF200-I-01B
APG3012-I-02-JD	CARBURETOR PAPER GASKET	JF168-I-02
APG3012-I-03-JD	CARBURETOR INSULATING PLATE	JF200-I-03B
APG3012-I-04-JD	INTAKE PIPE GASKET	JF168-I-04

3250W Generator

Flywheel system assy.

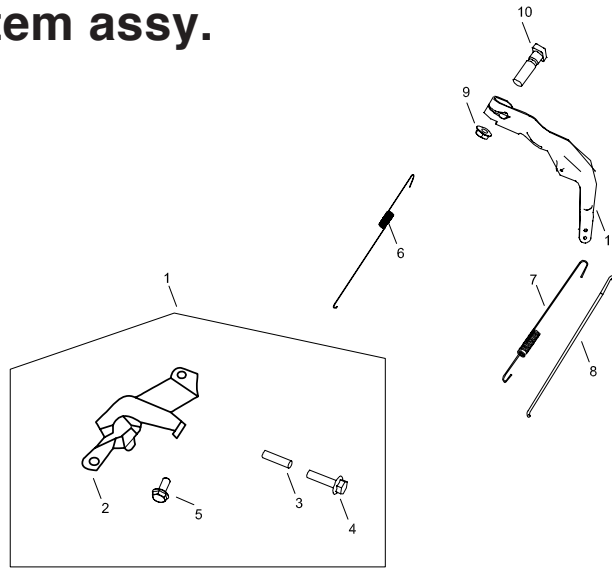


J

APA Part No.	Description	Part. No
APG3012-J-01-JD	FLYWHEEL	JF168-J-01A
APG3012-J-02-JD	FLANGE BOLT (M6 X 25)	JF168-J-02
APG3012-J-03-JD	COOLING FAN	JF168-J-03
APG3012-J-04-JD	STARTER PULLEY	JF168-J-04
APG3012-J-05-JD	FLYWHEEL NUT (M16)	JF168-J-05
APG3012-J-06-JD	STOP SWITCH CORD	JF168-J-06
APG3012-J-07-JD	IGNITION COIL ASSY.	JF168-J-07
APG3012-J-08-JD	SPARK PLUG CAP ASSY.	JF168-J-08

3250W Generator

Control system assy.

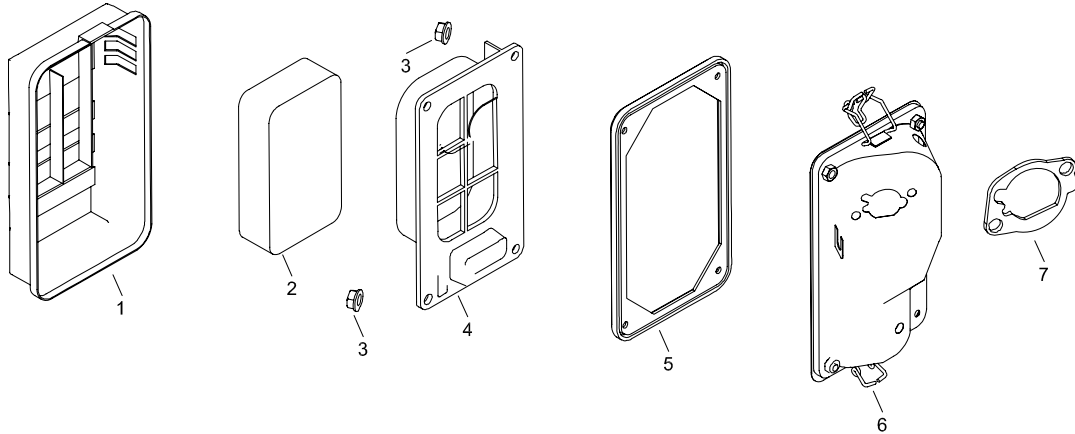


M

APA Part No.	Description	Part. No
APG3012-M-01-JD	CONTROL UNIT ASSY.	JF168-M-01B
APG3012-M-02-JD	CONTROL BASE COMP.	JF168-M-02B
APG3012-M-03-JD	CONTROL A JUSTING SPRING	JF168-M-03
APG3012-M-04-JD	PAN SCREW (M5 X 34)	JF168-M-04
APG3012-M-05-JD	FLANGE BOLT (M6 X 14)	JF168-M-05
APG3012-M-06-JD	GOVERNOR SPRING	JF168-M-06
APG3012-M-07-JD	THROTTLE RETURN SPRING	JF168-M-07
APG3012-M-08-JD	GOVERNOR ROD	JF168-M-08
APG3012-M-09-JD	FLANGE NUT (M6)	JF168-M-09
APG3012-M-10-JD	GOVERNOR ARM BOLT (M6)	JF168-M-10
APG3012-M-11-JD	GOVERNOR ARM	JF168-M-11

3250W Generator

Air cleaner

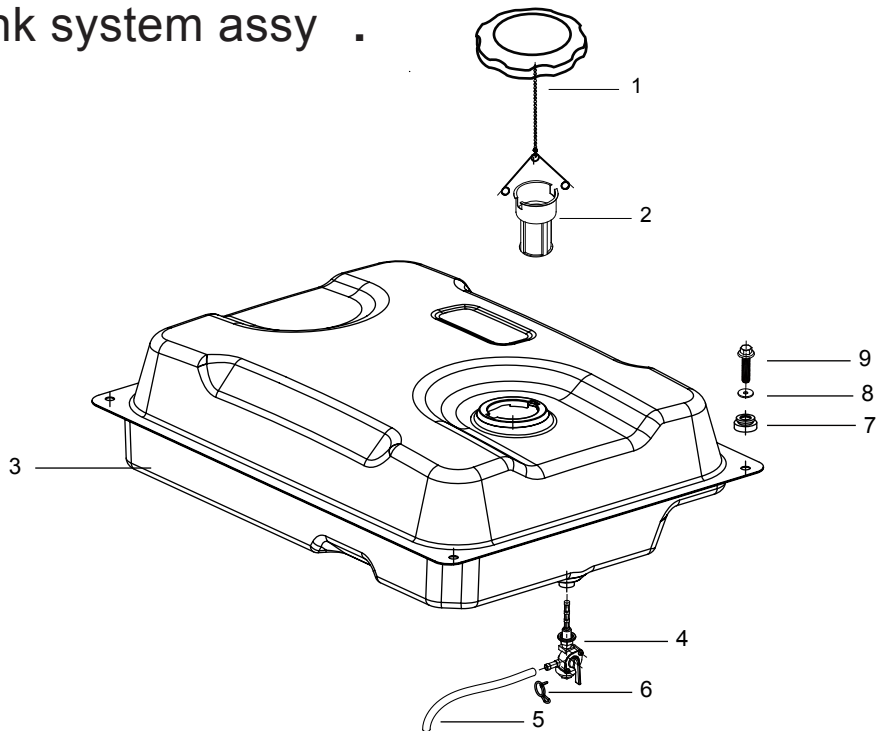


O

APA Part No.	Description	Part. No
APG3012-O-01-JD	AIR CLEANER COVER COMP.	JD3000-C-01
APG3012-O-02-JD	AIR CLEANER ELEMENT	JD3000-C-02
APG3012-O-03-JD	FLANGE NUT (M5)	JD3000-C-03
APG3012-O-04-JD	AIR CLEANER SEPARATOR	JD3000-C-04
APG3012-O-05-JD	AIR CLEANER SEAL	JD3000-C-05
APG3012-O-06-JD	AIR CLEANER CASE COMP.	JD3000-C-06
APG3012-O-07-JD	GASKET	JD3000-C-07

3250W Generator

Fuel tank system assy .

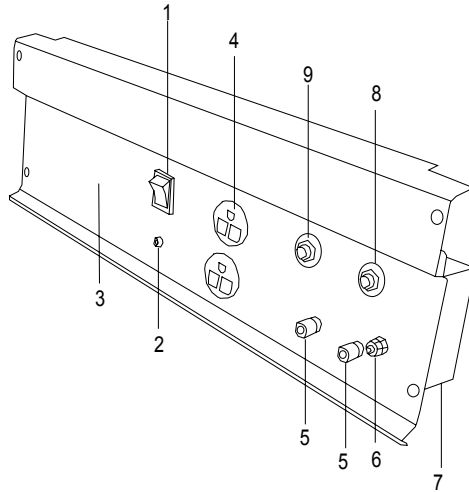


P

No.	Description	Part No.
APG3012 -P-01-JD	FUEL FILLER CAP COMP	JD3000-D-01
APG3012 -P-02-JD	FUEL FILTER	JD3000-D-02
APG3012 -P-03-JD	FUEL TANK COMP.	JD3000-D-03
APG3012 -P-04-JD	OVERFLOW VALVE	JD3000-D-04
APG3012 -P-05-JD	FUEL TUBE A	JD3000-D-05
APG3012 -P-06-JD	TUBE CLIP A	JD3000-D-06
APG3012 -P-07-JD	CONTROL BOX RUBBER	JD3000-D-07
APG3012 -P-08-JD	FUEL TANK GASTET	JD3000-D-08
APG3012 -P-09-JD	FLANGE BOIT	JD3000-D-09

3250W Generator

Control box assy.

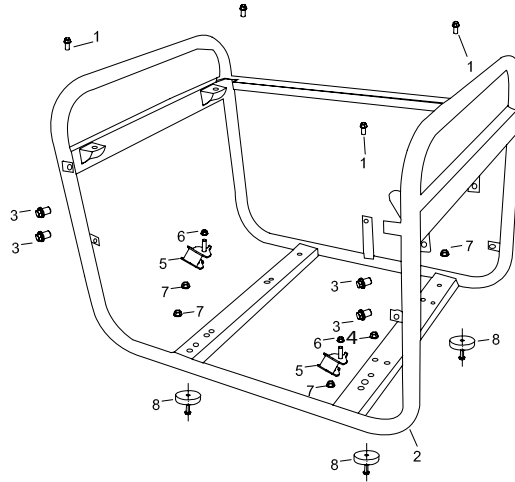


Q

APA Part No.	Description	Part. No
APG3012-Q-01-JD	ENGINE SWITCH ASSY.	JD3000-1-Q-01
APG3012-Q-02-JD	OIL ALERT LAMP	JD3000-1-Q-02
APG3012-Q-03-JD	CONTROL PANEL COMP.	JD3000-1-Q-03
APG3012-Q-04-JD	120V RECEPTACLE	JD3000-1-Q-04
APG3012-Q-05-JD	DC 12V OUTPUT	JD3000-1-Q-05
APG3012-Q-06-JD	EARTH TERMINAL SCREW	JD3000-1-Q-06
APG3012-Q-07-JD	CONTROL PANEL BACK BOX	JD3000-1-Q-07
APG3012-Q-08-JD	CIRCUIT PROTECTOR(8A)	JD3000-1-Q-08
APG3012-Q-09-JD	CIRCUIT PROTECTOR(20A)	JD3000-1-Q-09

3250W Generator

Frame comp assy.

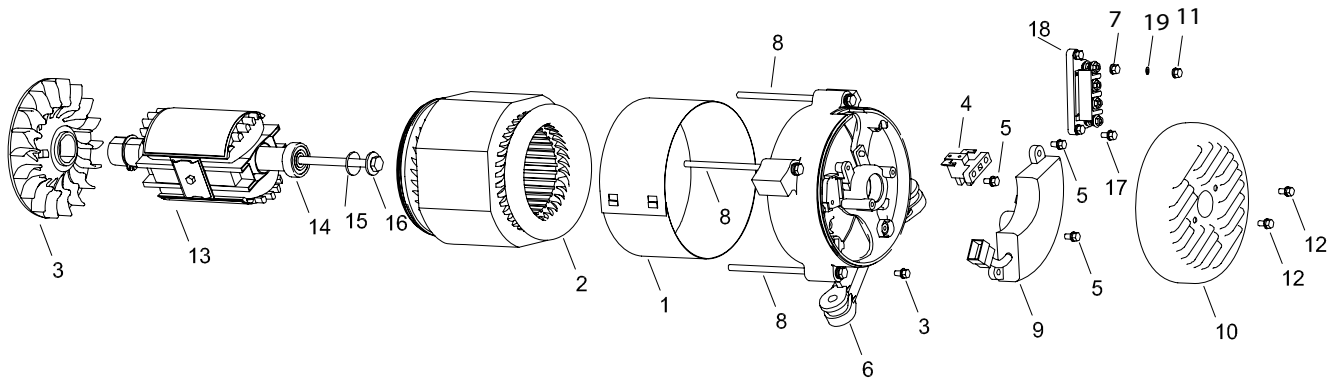


R

APA Part No.	Description	Part. No
APG3012-R-01-JD	FUEL TANK MOUNTING BOLT	JD3000-R-01
APG3012-R-02-JD	FRAME COMP.	JD3000-1-R-02
APG3012-R-03-JD	FLANGE BOLT (M6X12)	JD3000-R-03
APG3012-R-04-JD	FLANGE NUT (M8)	JD3000-R-04
APG3012-R-05-JD	MOTOR MOUNT (LEFT)	JD3000-R-05
APG3012-R-06-JD	FLANGE NUT (M8)	JD3000-R-06
APG3012-R-07-JD	FLANGE NUT (M10)	JD3000-R-07
APG3012-R-08-JD	RUBBER FOOT	JD3000-R-08

3250W Generator

Generator



S

APA Part No.	Description	Part. No
APG3012-S-01-JD	STATOR COVER	JD3000-S-01
APG3012-S-02-JD	STATOR ASSY.	JD3000-S-02
APG3012-S-03-JD	COOLING FAN	JD3000-S-03
APG3012-S-04-JD	BRUSH ASSY.	JD3000-S-04
APG3012-S-05-JD	TAPPING SCREW	JD3000-S-05
APG3012-S-06-JD	GENERATOR STAY	JD3000-S-06
APG3012-S-07-JD	NUT (5mm)	JD3000-S-07
APG3012-S-08-JD	FLANGE BOLT (M6X155)	JD3000-S-08
APG3012-S-09-JD	AUTO VOLTAGE REG. ASSY.	JD3000-S-09
APG3012-S-10-JD	GENERATOR COVER	JD3000-S-10
APG3012-S-11-JD	NUT	JD3000-S-11
APG3012-S-12-JD	FLANGE BOLT	JD3000-S-12
APG3012-S-13-JD	ROTOR COMP.	JD3000-S-03
APG3012-S-14-JD	BEARING ASSY.	JD3000-S-14
APG3012-S-15-JD	PLAIN WASHER	JD3000-S-15
APG3012-S-16-JD	FLANGE BOLT (M8X227)	JD3000-S-16

3250W Generator

Generator

APA Part No.	Description	Part No.
APG3012-S-17-JD	HEX. BOLT (M5 X 20)	JD3000-S-17
APG3012-S-18-JD	VOLT CHANGE TERMINAL BR-AC-W	JD3000-S-18
APG3012-S-19-JD	PLAIN WASHER (5mm)	JD3000-S-19

Distributed by:
JD North America, Corp.
www.jdna.com