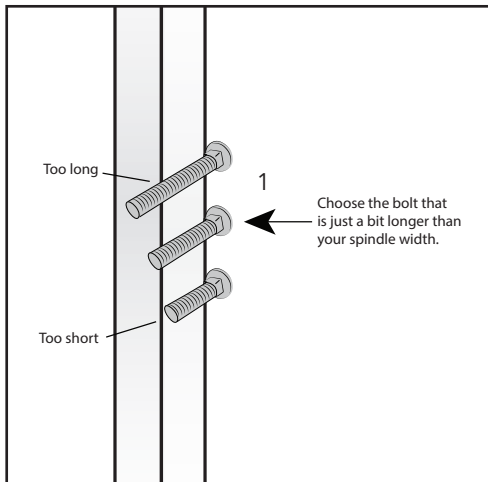
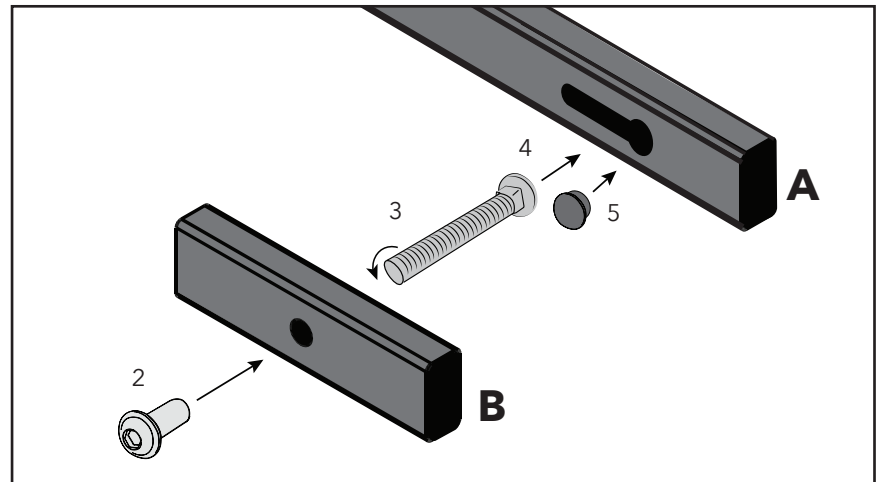


Installation instructions

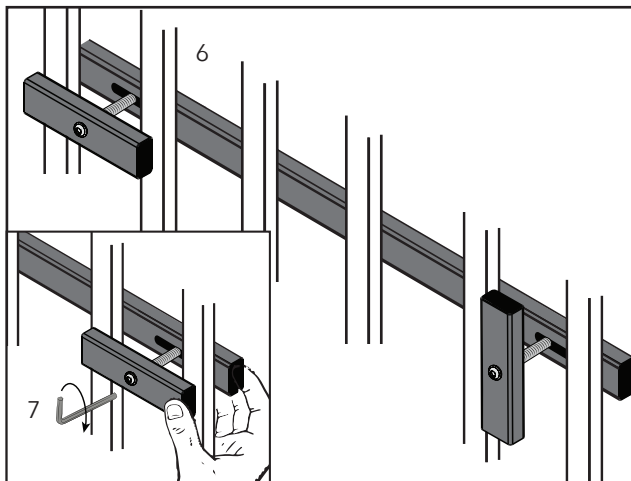
Please read instructions before installing for best results.



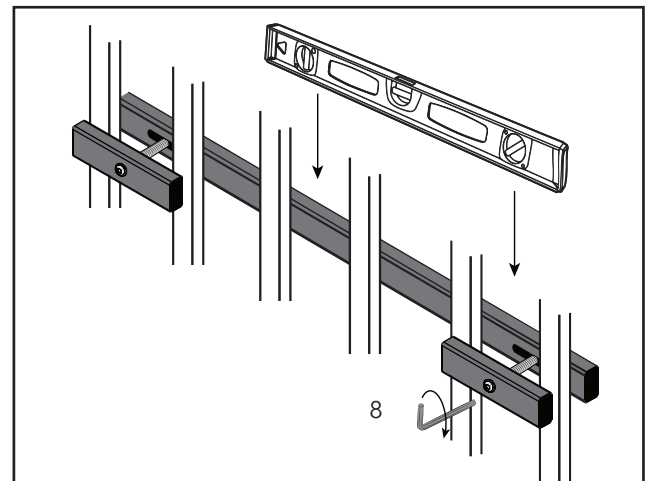
1. Determine bolt length by holding a bolt up to your spindles, a bolt that is about the same length or slightly longer than your spindle depth is the right one.



2. Insert sleeve nut into rail B
 3. Spin correct sized bolt into sleeve nut, just a couple turns to stay on the sleeve nut.
 4. Slide wide bolt end into rail A
 5. Insert plastic plug into road keyhole of rail A (this will help that rail B doesn't slide off during install)



6. Attach mounting rail according to graphic.
 7. Tighten slightly with Allen wrench on each side.



8. Level mounting rail and tighten snugly.
 Check for tight fit monthly.

Visit [holditmate.com/install](https://www.holditmate.com/install) for a video tutorial.

WARNING: YOU, THE PURCHASER, ASSUME THE RISK OF PROPERLY USING AND MOUNTING THE HOLD IT MATE SYSTEM, INCLUDING ANY ADDITIONAL ACCESSORIES (TOGETHER, THE "PRODUCT"), TO APPROPRIATE STRUCTURES AND LOCATIONS. THE PRODUCT MUST NOT BE MOUNTED TO ANY STRUCTURE NOT RATED TO HOLD PRODUCT'S WEIGHT. This Product is sold "AS-IS" without a warranty of any kind, expressed or implied, including any warranties or conditions of merchantability and fitness for a particular purpose. In no event shall there be any liability for any direct, indirect, punitive, incidental, special, consequential or other damages arising out of or related to the use or misuse of this Product. The purchase and use of any additional accessories shall be limited to their specified use, and such use shall be subject to the warning set forth herein. If you do not accept the terms provided herein, please contact customer service at support@holditmate.com to receive a refund of the purchase price within thirty (30) days from purchase.