

Single room HRV MICRA 60



Micra 60 is a single room heat recovery ventilator suitable for larger rooms, such as apartments or small commercial places. No need to connect to air ducts. It provides a great solution for simple and efficient single room heat recovery applications.

Features

- Efficient heat recovery ventilation for separate rooms
- Energy recovery efficiency is 79%.
- **EC-motor**
- Three operating modes
- Silent operation (0.38 – 1.0 Sones)
- Air cleaning with two G4 built-in filters
- Easy mounting
- Suitable for continuous operation

Casing (1)

Polymer coated metal casing is decorated with mirror like stainless steel that contains 9/16" thermal and sound insulating layer. The modern unit design matches any interior. Easy access to service the unit, to change or replace filter. Air is supplied to the room and exhausted outside through two 5" air ducts.

Air filtration (2)

Two built in G4 filters ensure the filtration of supply and extract air. The filters purify the air by removing contaminants, particles and prevent dust from entering the house.

Motor (3)

Axial fans are powered by energy-efficient **EC-motors**. The motors are equipped with built-in thermal overheating protection and ball bearings for longer service life.

Heat recovery core (4)

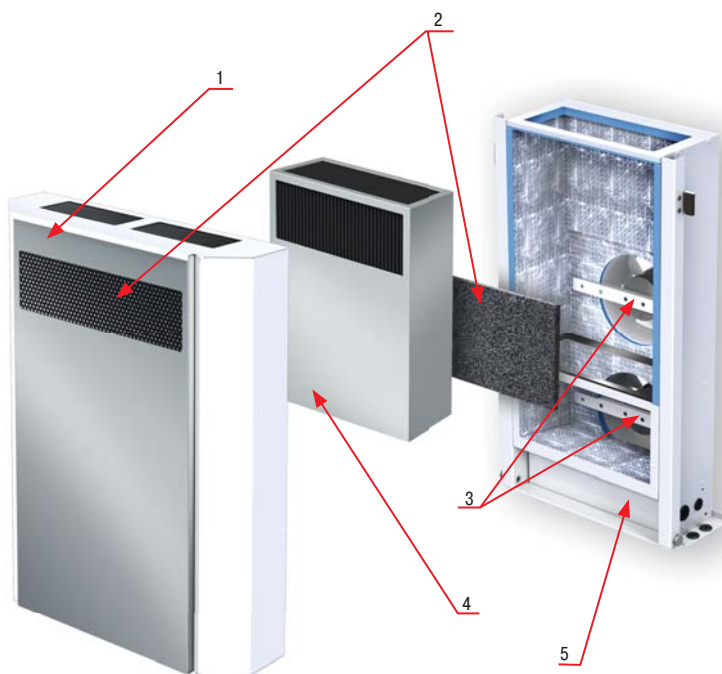
The ventilator is equipped with a high-tech plate counter-flow aluminium heat recovery core. Energy recovery efficiency is 79%. Using the MICRA in both cooling and heating seasons results in considerable energy savings.

Freeze protection

Micra 60 includes a special thermostat, which prevents condensation from freezing.

Control unit (5)

The unit has integrated protection to safeguard the motor and circuit board against voltage jumps, short circuit or electrical overloads.



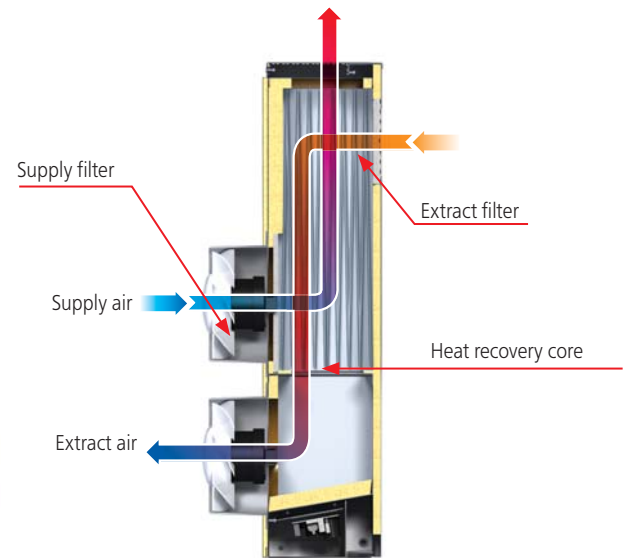
Control and operation modes

- Automatic system enables three operation modes:
1. Supply and exhaust ventilation at minimum air capacity 17.7 CFM and minimum noise level 0.38 Sones.
 2. Supply and exhaust ventilation at medium air capacity 26.5 CFM and minimum noise level 0.42 Sones.
 3. Supply and exhaust ventilation at medium air capacity 35.3 CFM and minimum noise level 1.0 Sones.

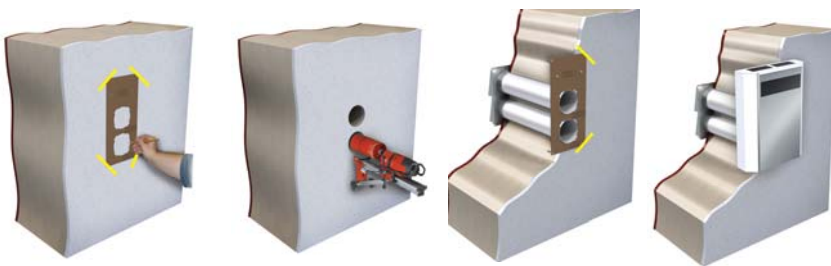


How it Works

Micra 60 exhausts stale air outdoors and draws in fresh air to replace it while the heat transfers from the outgoing air to warm up the incoming air. Warm stale air from the room moves through the filter and core and then is exhausted outside. The intake and extract airflows are fully separated.



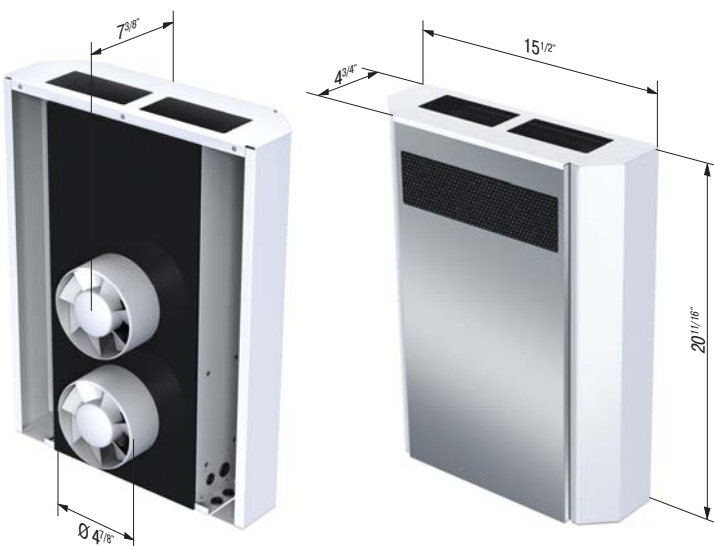
Installation sample



Technical data

Model	Speed	Voltage	Power [W]	Current [A]	Air capacity [CFM]	Rotation speed [min ⁻¹]	Sensible Recovery Efficiency	Sones	Ingress protection rating
Micra 60	1	100-240 V 50-60 Hz	4,2	0.02	17.7	1165	79	0.38	IP 22
	2		9,6	0.04	26.5	1720	74	0.42	
	3		15,4	0.07	35.3	2685	70	1.0	

Overall dimensions [in.]



Installation kit MK2 Micra 60



MK2 Micra 60 mounting kit:

- two plastic air duct 5" - 19 11/16" long;
- paper master plate;
- outer ventilation kit NB Micra 60

Contacts

Tel: 888-640-0925
 513-348-3853
 Fax: 513-268-4597
 Sales@ventsus.com
 VentsUS.com
 11013 Kenwood Road, Cincinnati, Ohio 45242