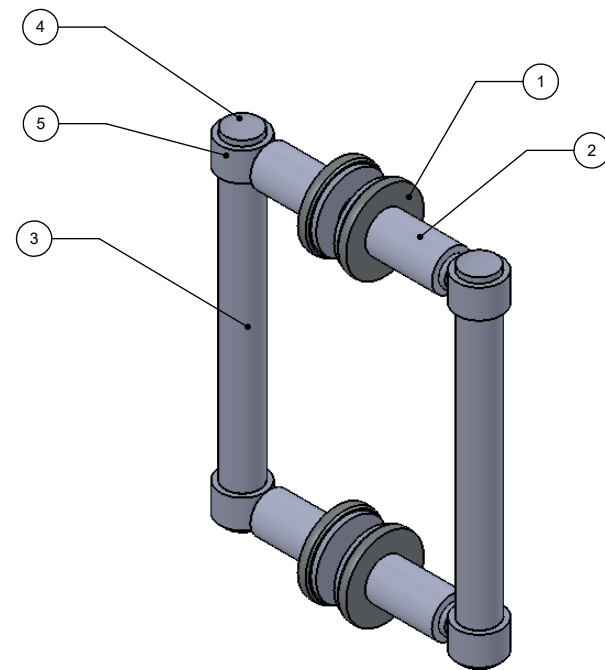
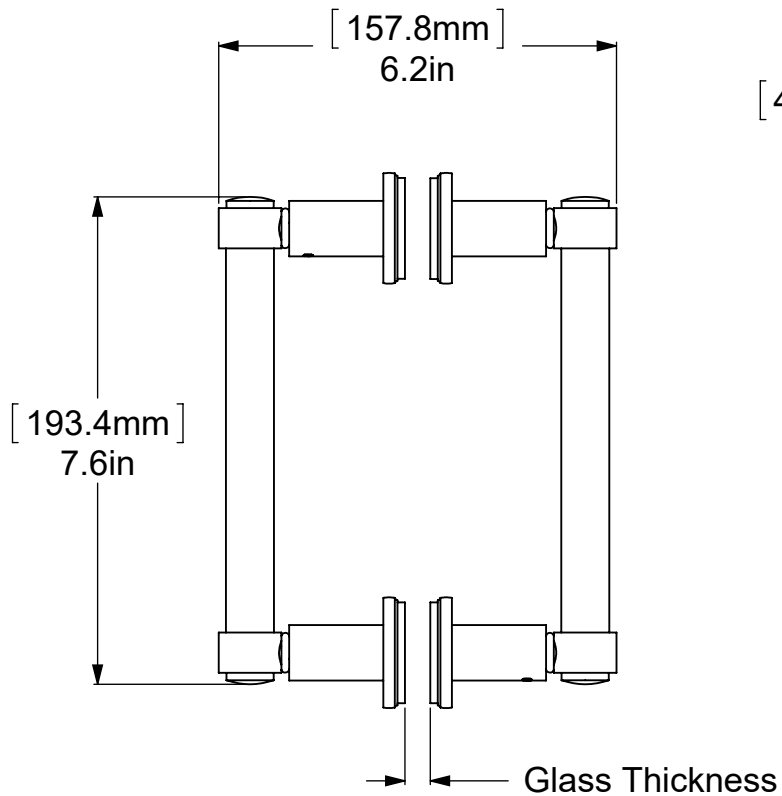


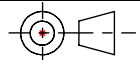
| ITEM NO. | P/N | Description | QTY. |
|----------|---------|-------------|------|
| 1 | FRBP | BACKPLATE | 2 |
| 2 | FR-PST | POST | 4 |
| 3 | TU1-6 | TUBE | 2 |
| 4 | CARD-34 | CAP | 4 |
| 5 | HBT1T-1 | HUB | 4 |



UNLESS OTHERWISE STATED

| | |
|------|---------------------|
| .X | $\pm .3\text{mm}$ |
| .XX | $\pm .15\text{mm}$ |
| .XXX | $\pm .008\text{mm}$ |

COPYRIGHT © Allied Brass 2016



THIRD ANGLE PROJECTION

| | | |
|----------|-----------|-----|
| DRAWN | 8/15/2016 | I.M |
| CHECKED | 8/15/2016 | P.D |
| APPROVED | 8/15/2016 | R.A |

| | | | | |
|------------------|---|-----------|-------------|-----|
| MATERIAL: | BRASS | | FINISH | TBD |
| DESCRIPTION: |  | | QUANTITY | TBD |
| SHOWER DOOR PULL | | | DRAWING No. | REV |
| | 405-6BB | 0 | | |
| SCALE | 1:3 | SHEET: 01 | A4 | |