



**TOMMY  
DOCKS®**

Tommy Docks

8608 Progress Way, Weston, WI 54476

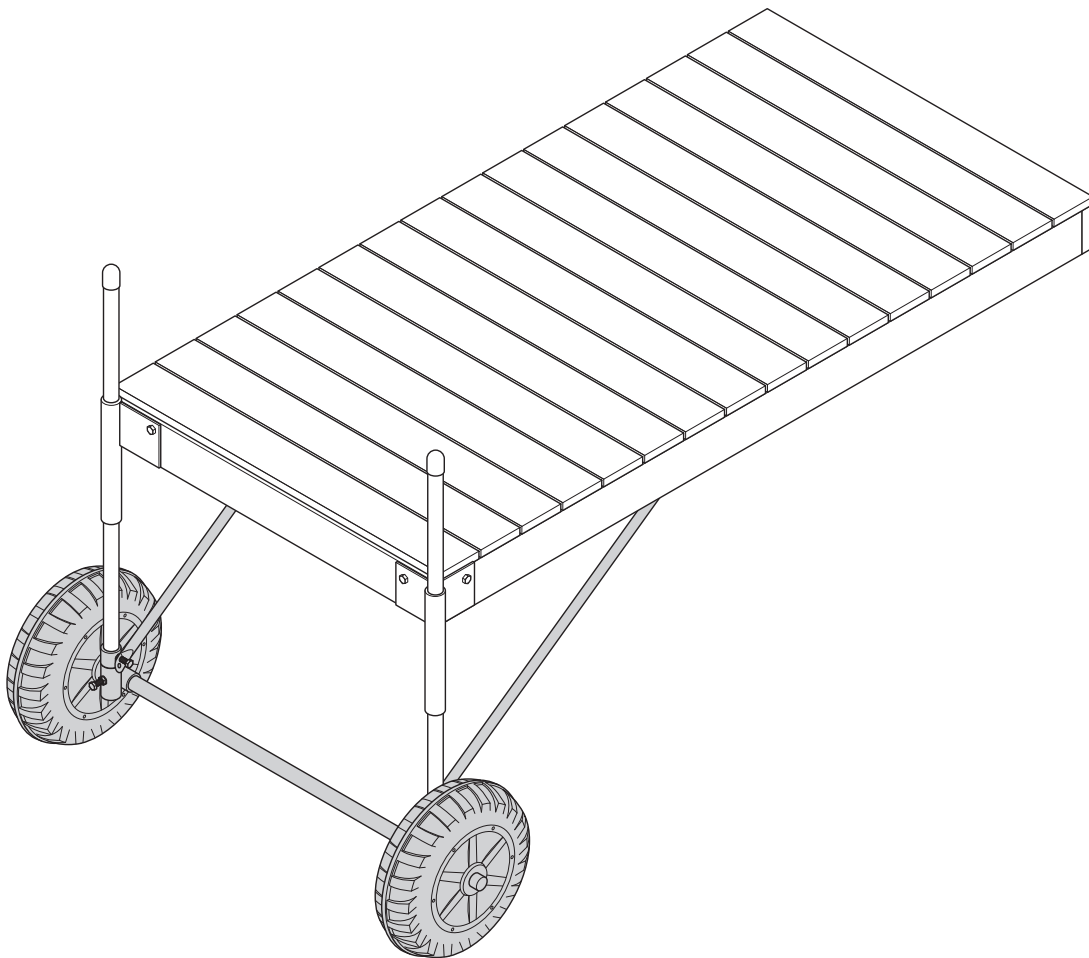
Phone : 715-842-3804

Toll Free : 866-675-1880

Fax : 715-842-3420

## Roll-In Dock Kit

Assembly Instructions



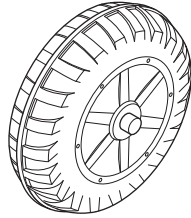
**Note:** Dock, Post Pipe, Post Safety Caps, and Dock Brackets Not Included.

[www.tommydocks.com](http://www.tommydocks.com)

# Roll-In Dock Kit Components

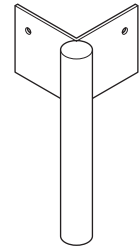
Wheels  
Qty 2

Replacement Part  
Tommy Docks - TD-30139



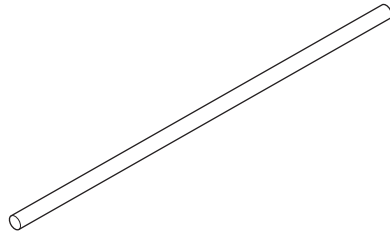
Customer Provided - Corner Bracket  
Qty 2

(Suggested Use  
Tommy Docks - TD-10001)



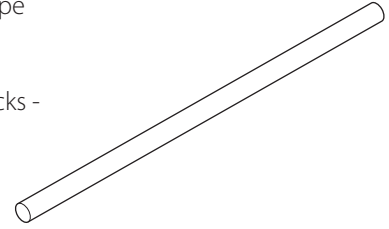
72" Long Axel  
Qty 1

(Replacement Part  
Tommy Docks - TD-20041)



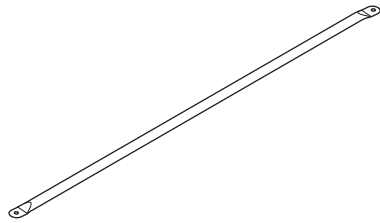
Customer Provided - Post Pipe  
Qty 2

(Suggested Use Tommy Docks -  
Heavy Duty 1-1/2" Pipe)

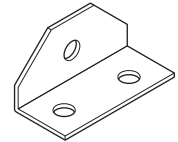


60" Long Support Braces  
Qty 2

(Replacement Part  
Tommy Docks - TD-30005)



Angle  
Brackets  
Qty 2



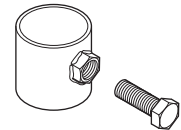
2" Plastic Hubcaps  
Qty 2

(Replacement Part  
Tommy Docks - TD-20000)



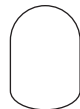
Locking Collars with 1/2" Bolts  
Qty 2

(Replacement Part  
Tommy Docks - TD-30203)



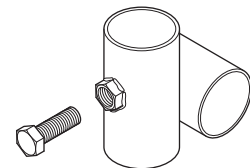
Customer Provided - Post Safety Caps  
Qty 2

(Suggested Use  
Tommy Docks - TD-30064, TD-30066,  
TD-30063, TD-20000)

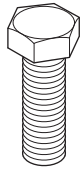


Axle Brackets with 1/2" Bolts  
Qty 2

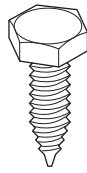
(Replacement Part  
Tommy Docks - TD-30143)



## Hardware

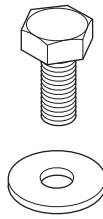


1/2" x 1 1/2" Hexhead  
Bolts and Nuts  
Qty 2



1/4" x 1 1/2"  
Lagbolts  
Qty 4

For bolting angle  
brackets to a wood  
frame dock

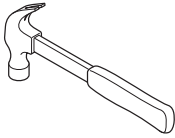


1/4" x 1"  
Hexhead Bolts  
Qty 4

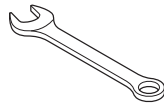
For bolting angle  
brackets to a metal  
frame dock



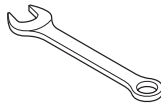
## Tools



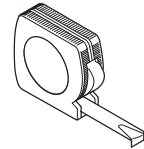
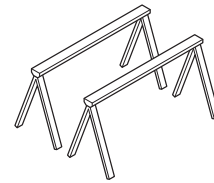
Hammer



7/16" Wrenches  
Qty 2



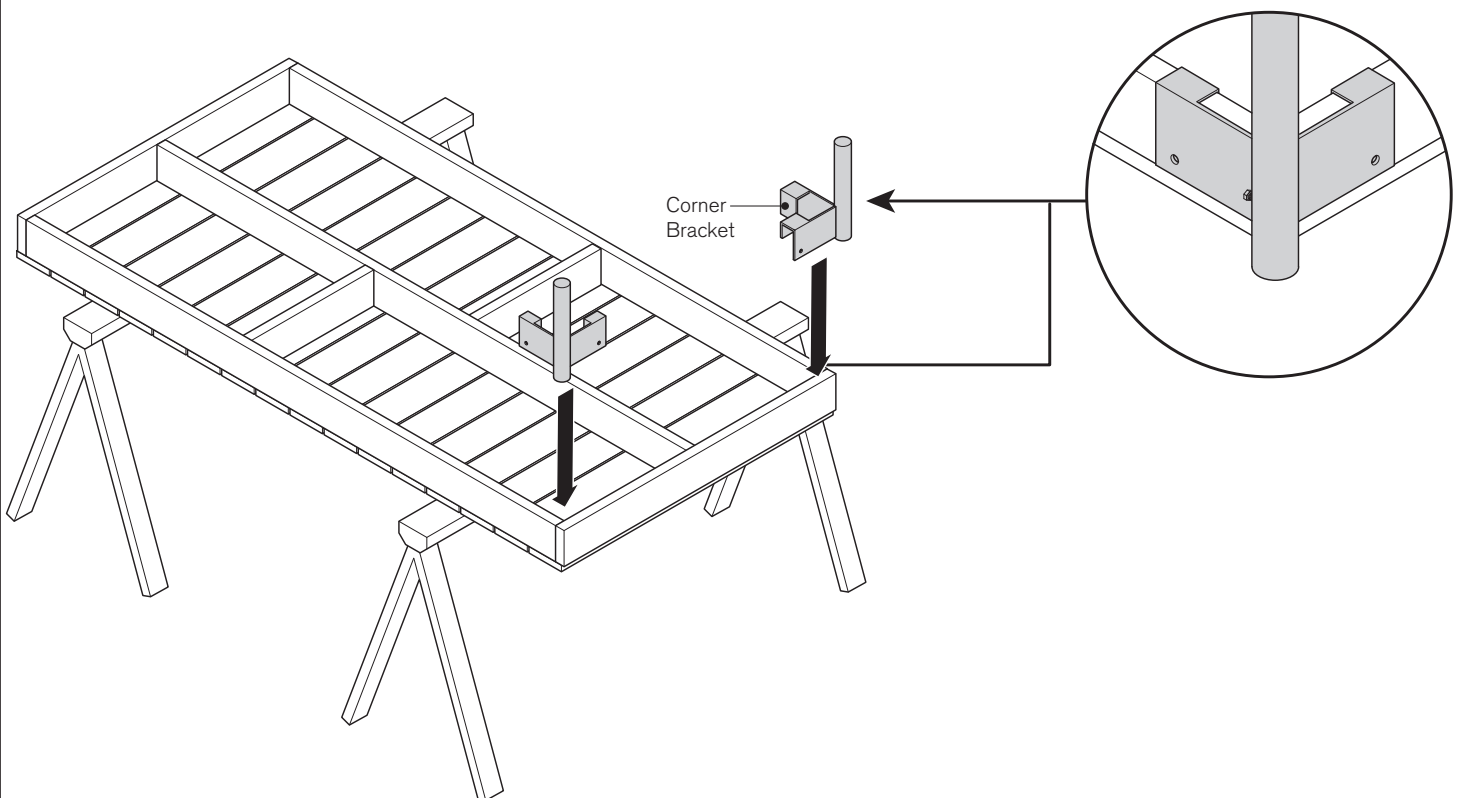
3/4" Wrenches  
Qty 2



Tape Measure

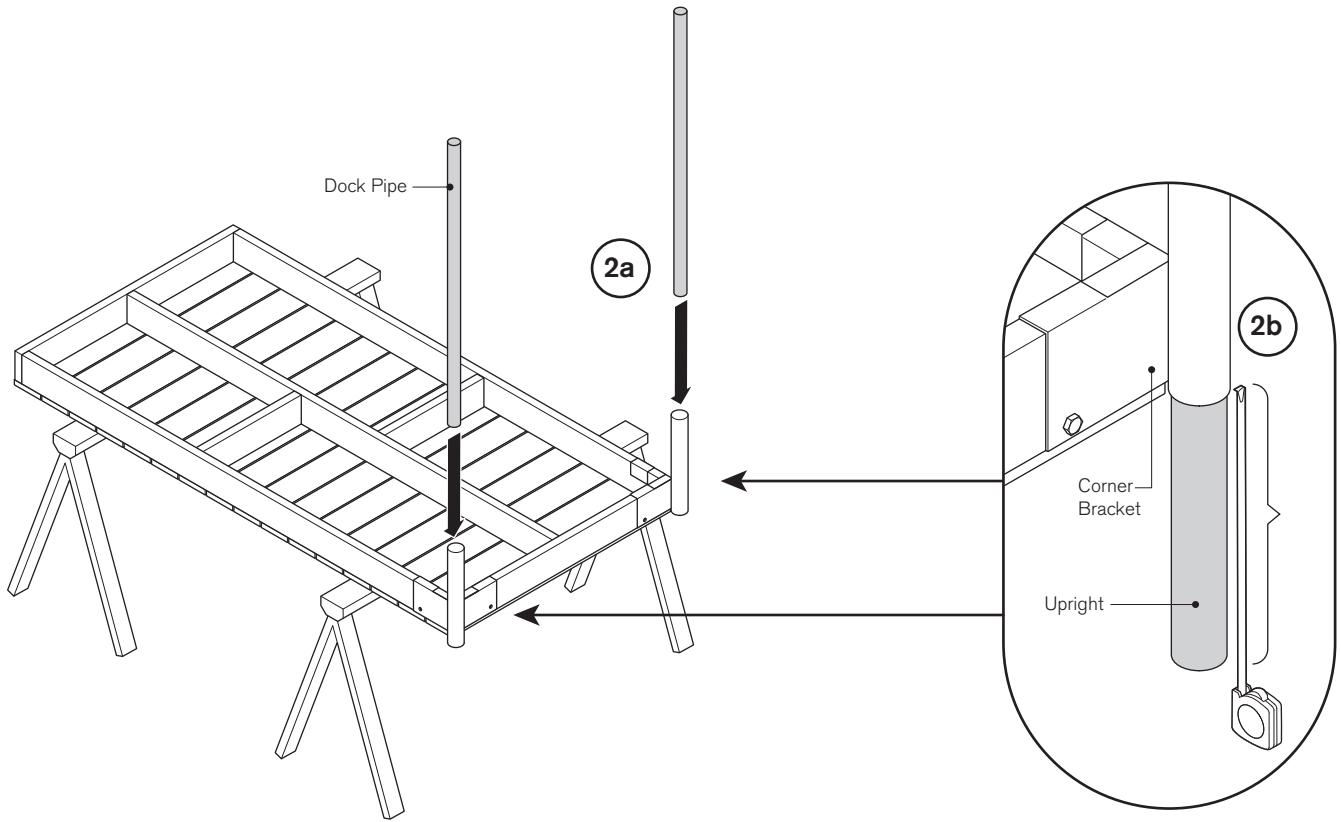
**1**

Flip dock section over. Align Corner Brackets to corners of section (1a) and secure each Corner Bracket using enclosed hardware. Drilling will be required for cedar only.

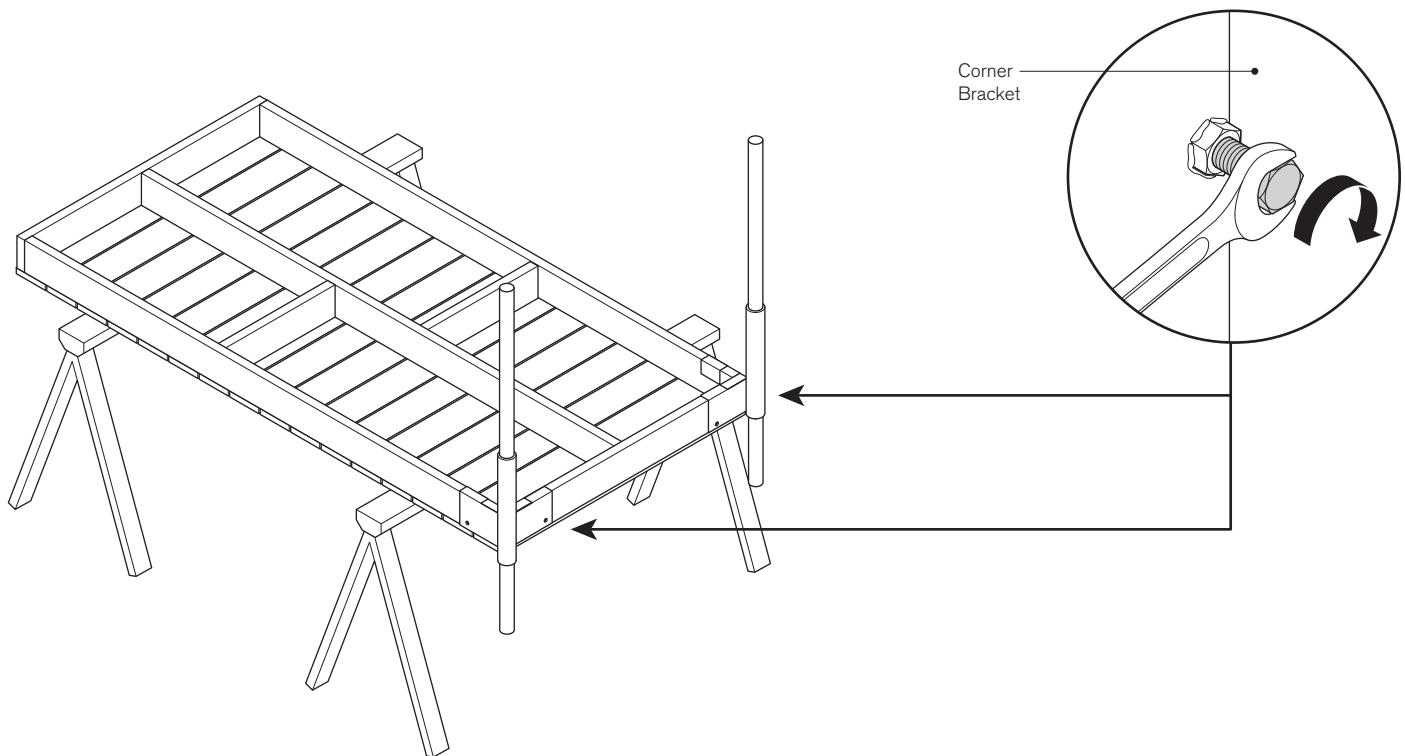


**2**

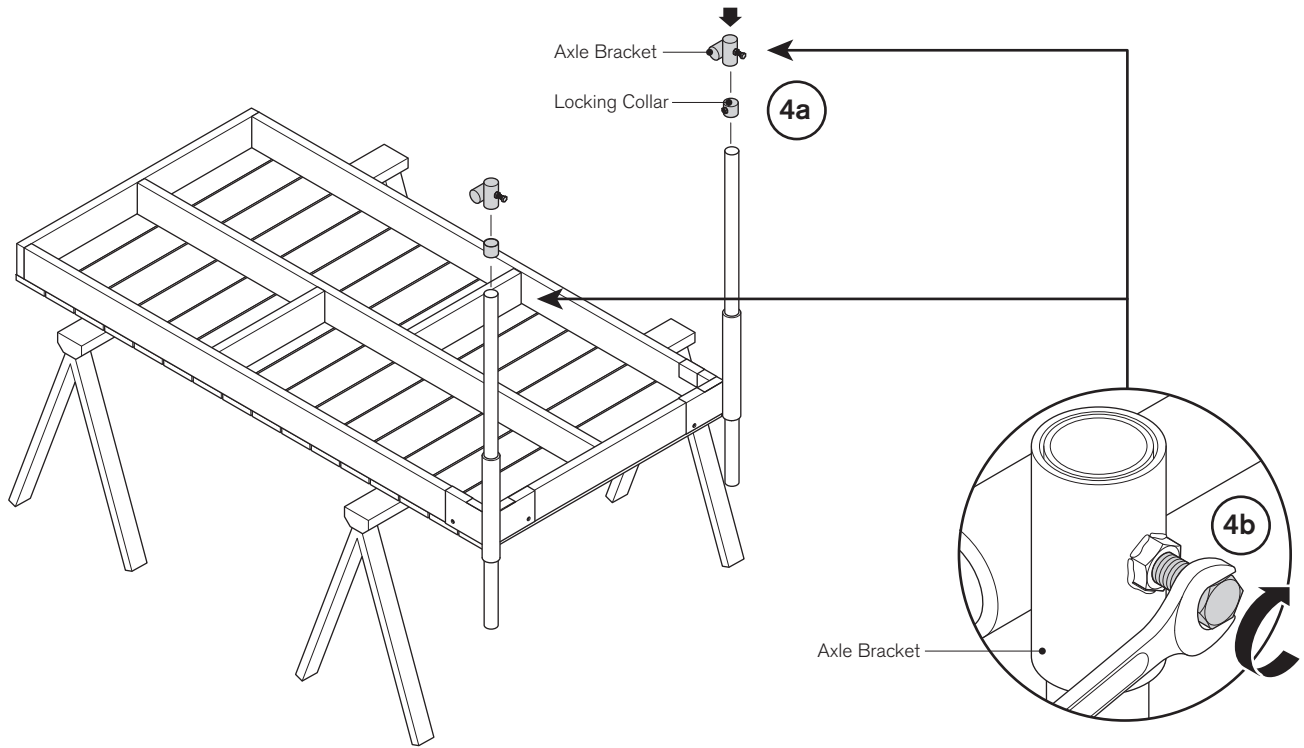
Slide each Dock Pipe into each Corner Bracket Sleeve (2a). Pipe should pass through sleeve and extend down about 12" (2b).

**3**

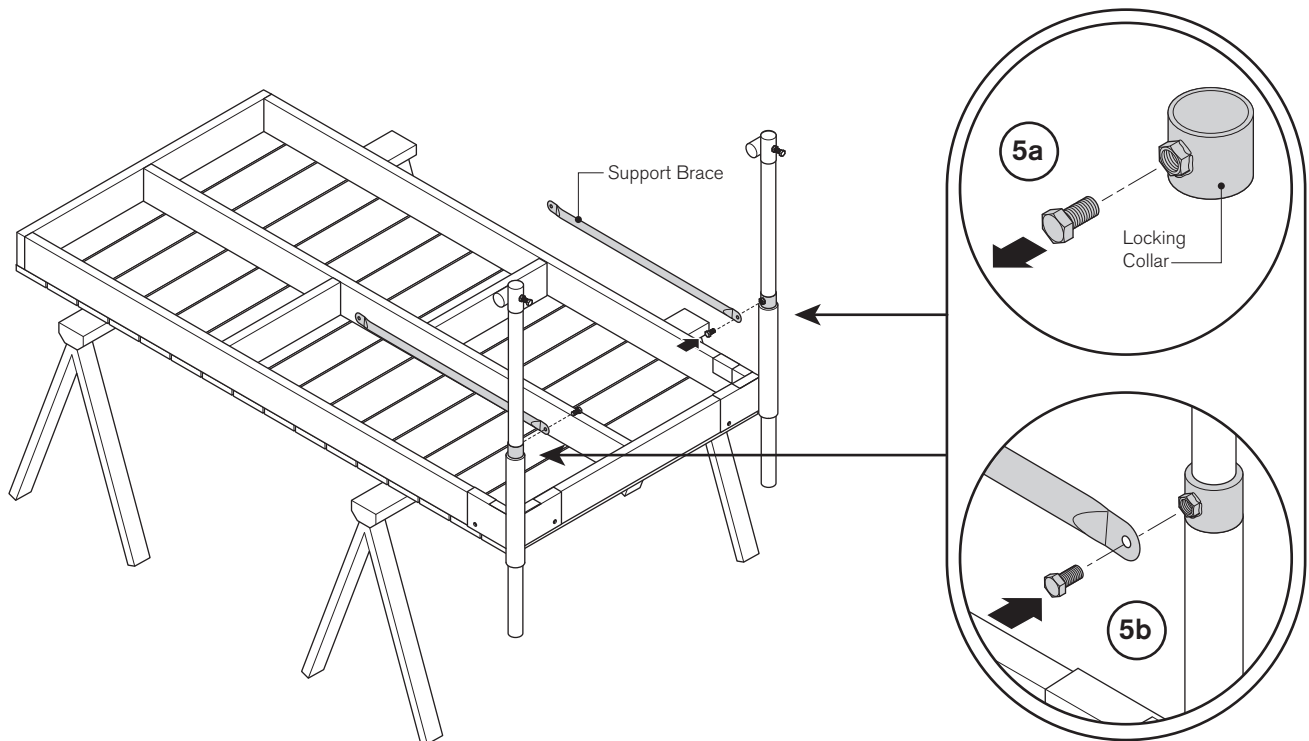
Tighten each Set Bolt located on each Corner Bracket using a wrench. If using impact driver, reduce the torque setting to low speed and less than (5).



- 4** Lower locking collar followed by Axle Bracket and each Dock Pipe onto each Upright (4a). Let each Locking Collar slide downward. Tighten bolt slightly on each Axle Bracket using a wrench (4b).

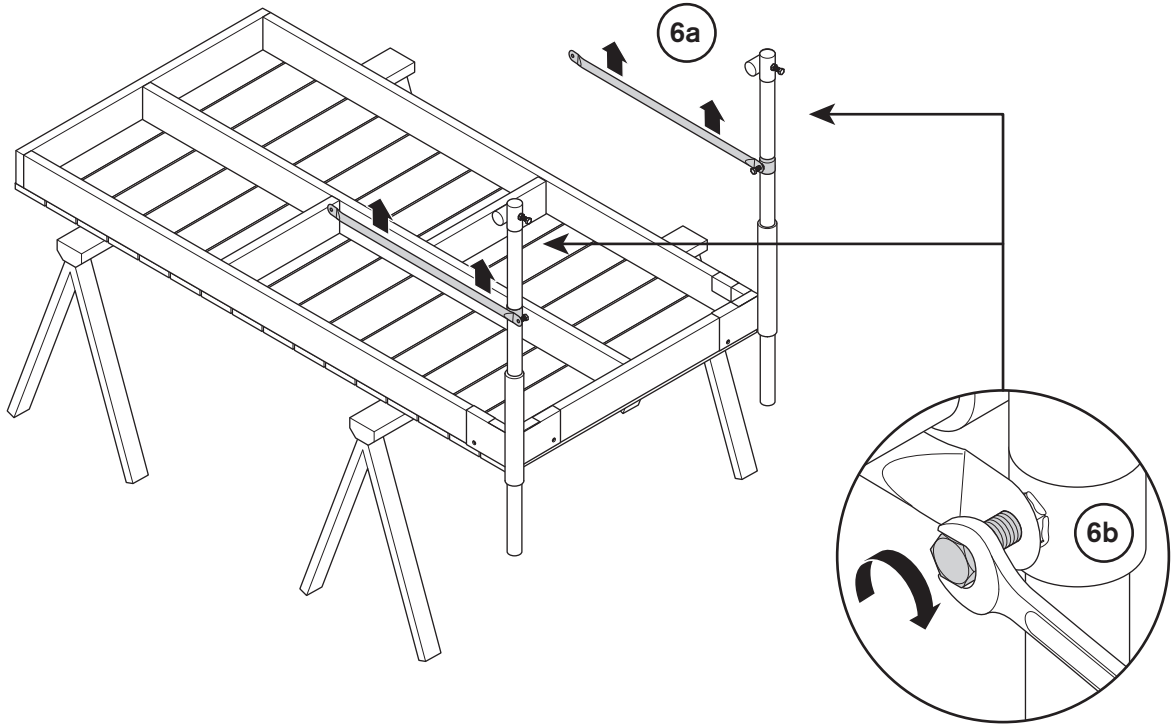


- 5** Remove each Bolt from each Locking Collar (5a). Align end of Support Brace with Locking Collar and secure using the bolt removed earlier (5b).

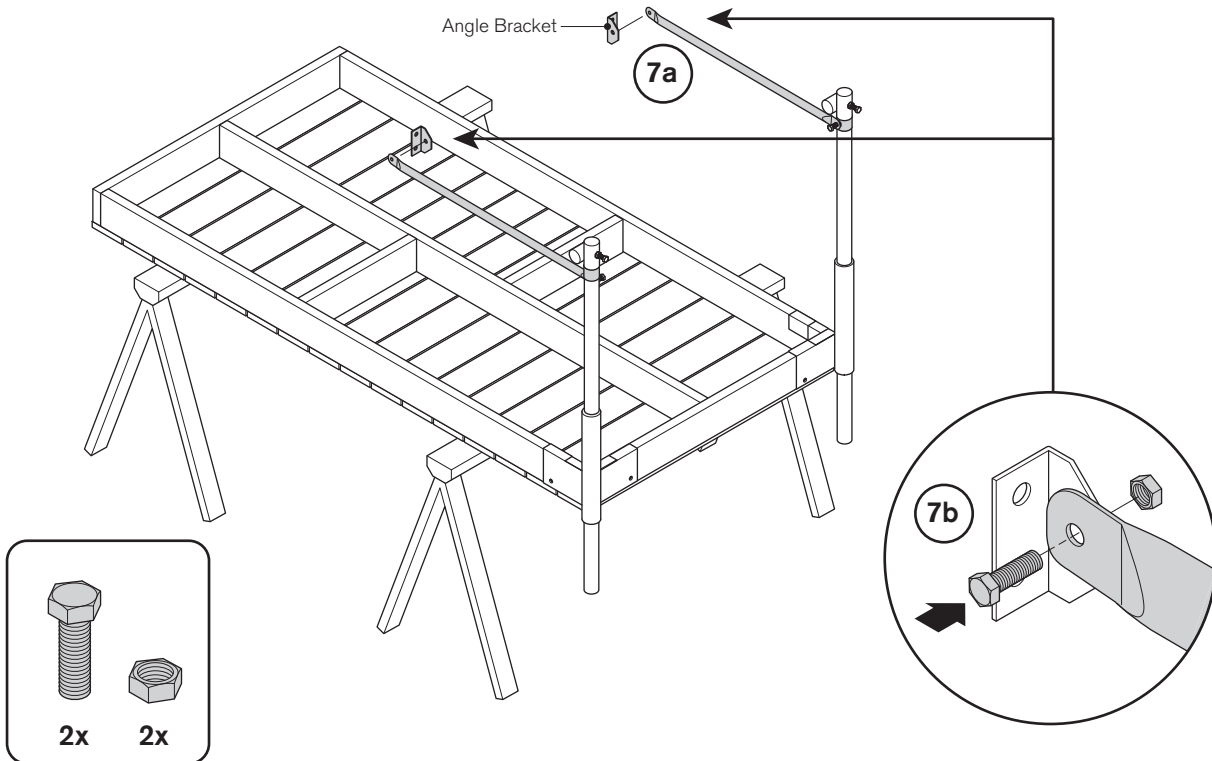


**6**

Lift each Support Bracket upward so it is flush with the bottom of each Axle Bracket (7a). Tighten bolt using wrench (7b).

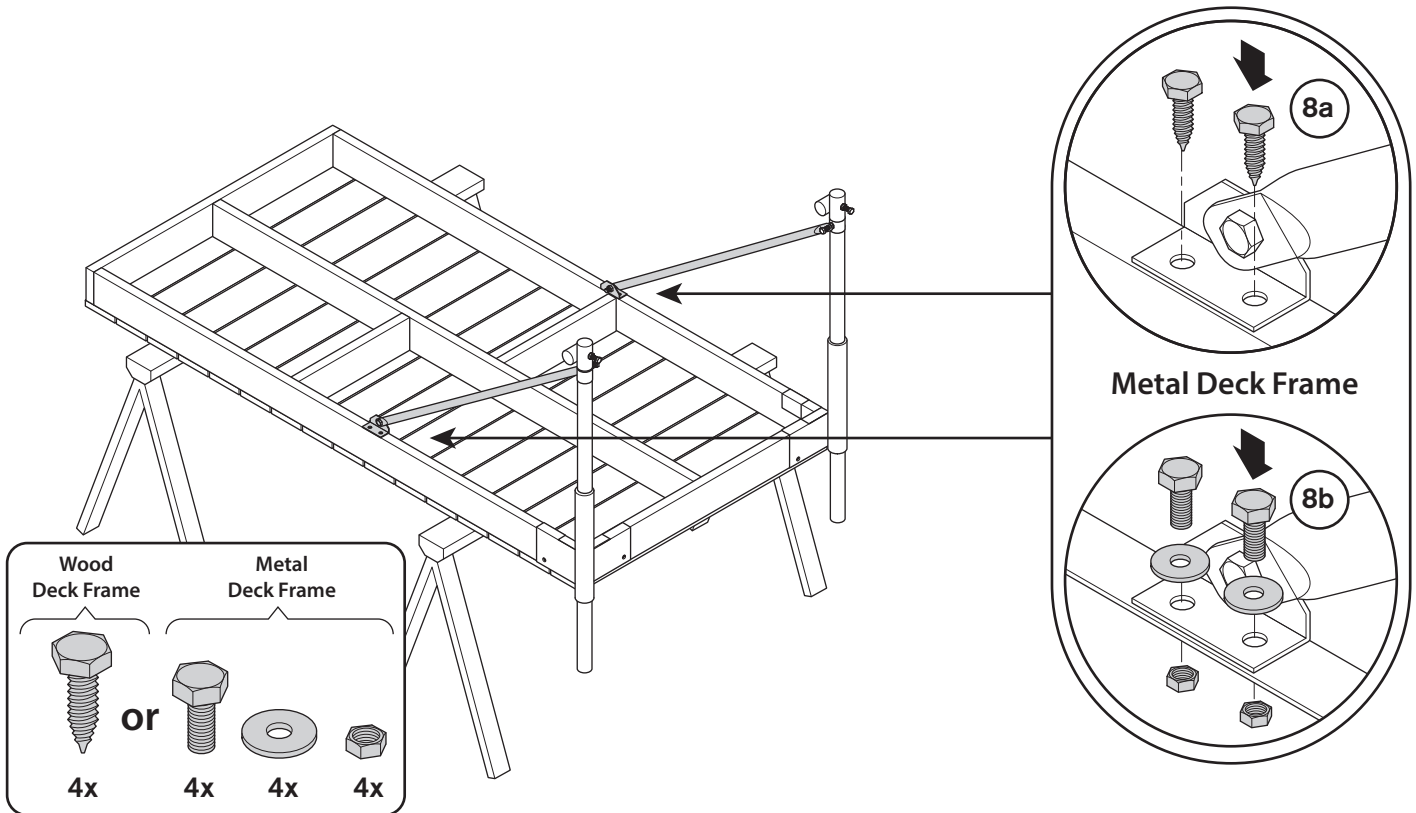
**7**

Hold Support Brace parallel to Deck Frame and align end of Support Brace with Angle Bracket. Secure each Angle Bracket to each Support Brace using one (1) Bolt and one (1) Nut (7a). Tighten using two (2) wrenches as shown (7b).

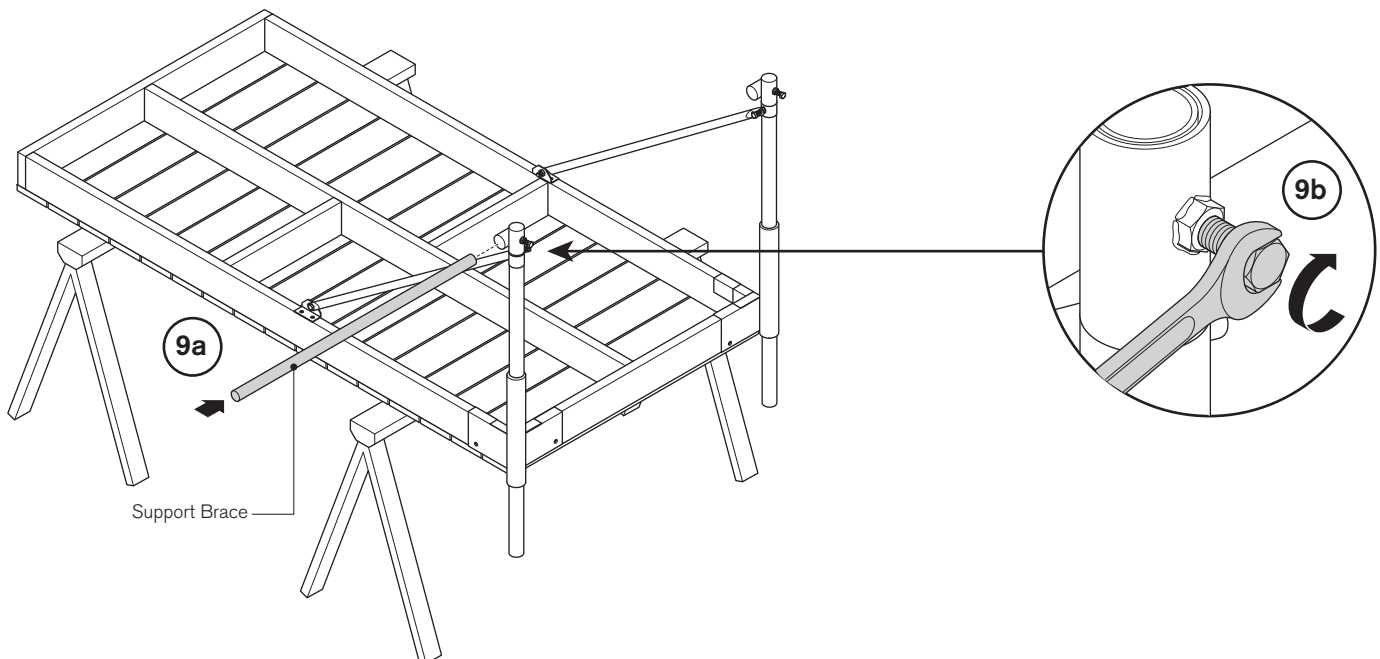


**8**

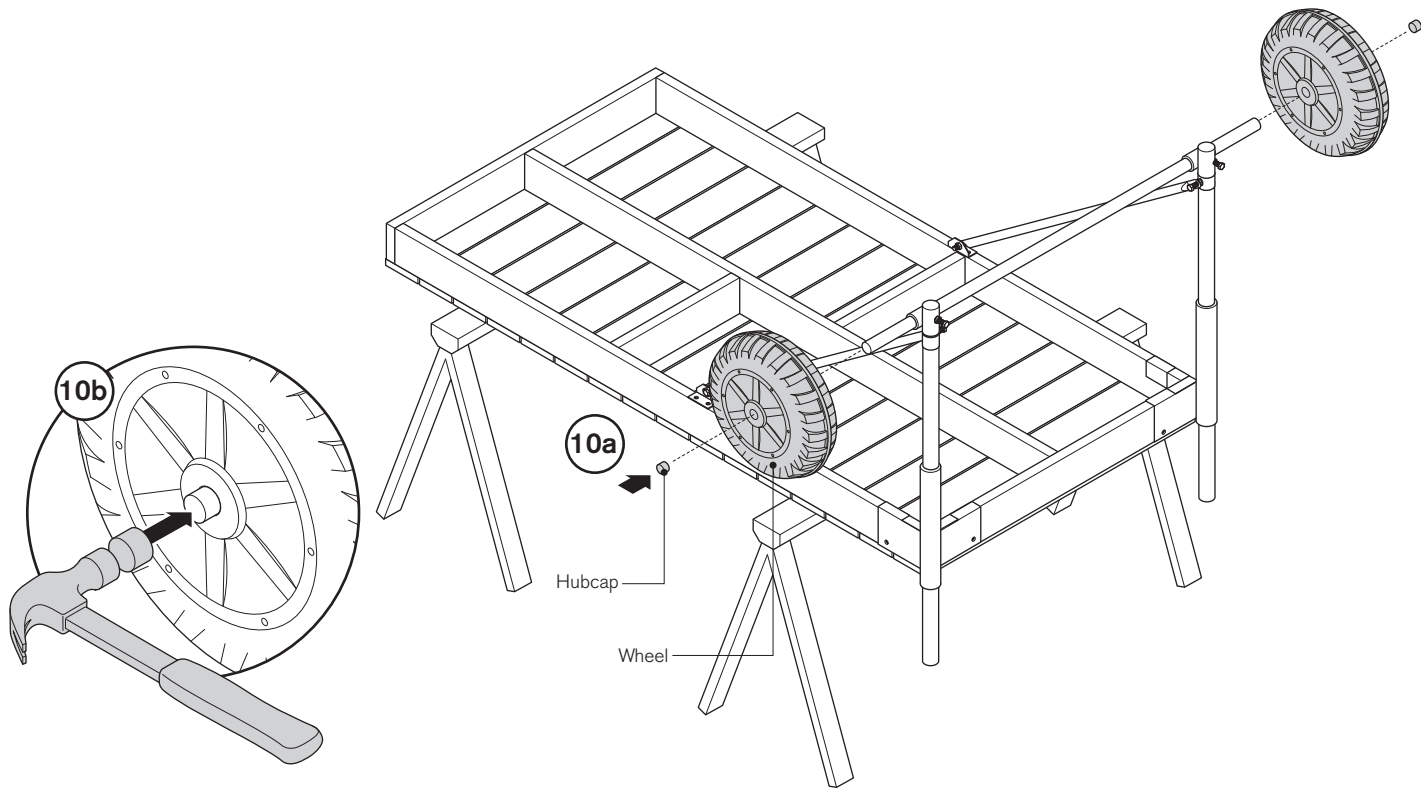
Secure each Angle Bracket to Deck Frame using two (2) Lagbolts (8a). If you are installing onto an Metal Deck Frame, secure each Angle Bracket to Metal Deck Frame using two (2) Hexhead Bolts, Two (2) Nuts and Two (2) Washers per Angle Bracket (8b).

**9**

Insert Axle through both Axle Brackets (9a). Tighten Bolt using wrench (9b).



**10** Slide each Wheel onto axle (10a) and secure by placing a hubcap onto end of axle and pounding with a hammer (10b).



**11** Flip assembly over (11a). Insert Cap onto top of each Upright (11b).

