



LEAP FORWARD WITH GROHFLEX®

ADVANCED UNIVERSAL
ROUGH-IN VALVE SYSTEM



GROHFLEX® UNIVERSAL ROUGH-IN

Leap Forward To The Next Generation Of Valve Systems

A Better Universal Valve System

Introducing GrohFlex® – a universal valve system designed to meet the needs of the North American market. It offers affordable flexibility in function and style. It's easy to install, easy to upgrade and easy to maintain. It's designed to help make a complex business easy.

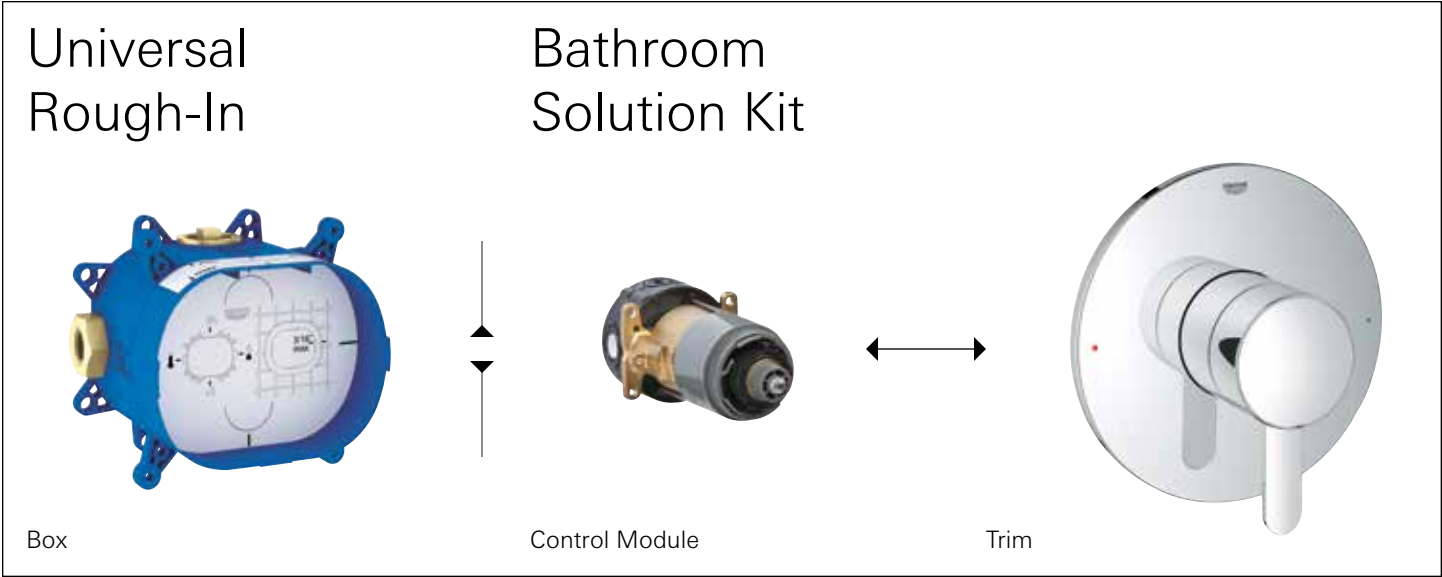
Only the new GrohFlex® system covers such a wide range of installation types – from single-showers to tub/shower combos to high-flow custom showers – with just one universal rough-in. Plus, GrohFlex® offers pressure balancing and thermostatic control options for both the master and secondary bath. And its smart design features easy, intuitive operation with all functions controlled from a single axis, reducing the need for separate volume controls and diverters.

GrohFlex®

The smart bathroom solution that saves
both time and money



Adapt & thrive



One Rough-In Does It All

Multiple functions/multiple trims — all designed to fit in one universal rough-in box. It provides the groundwork for any shower or tub/shower installation, making complex planning, ordering and installation easy and efficient. And it simplifies rough-in construction — allowing work to proceed, even without final function or trim selection. Plus, integrated service stops and an enhanced flushing system make for fast and easy installation/maintenance.

Smart Solutions, Not More Solutions

With the GrohFlex® system, we've combined the brains and beauty of your shower project into a single package. Unlike traditional valve systems, the GrohFlex® control module ships with the trim — not the rough-in box. Designed to fit the universal rough-in box, these Bathroom Solution Kits offer ultimate flexibility in function and design, while reducing specification complexity. Fewer SKUs are needed to meet all your business needs, simplifying specification and lowering inventory costs.

GROHE's fifteen Bathroom Solution Kits were developed to cover every shower installation type. Whether a high-flow custom shower for the master bath or a tub/shower combo for the secondary bathroom, we've got it covered. If your installation calls for pressure balancing or thermostatic control, we've got it covered. And each control module comes packaged with a trim that's sure to fit your customers' style.

GROHFLEX® UNIVERSAL ROUGH-IN

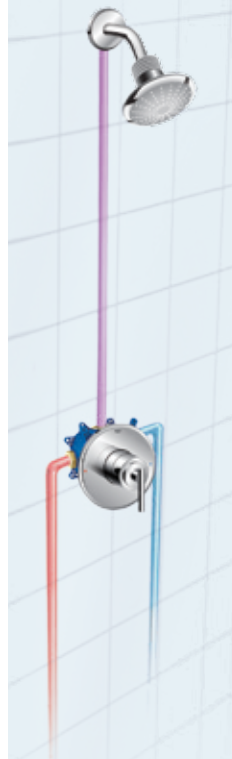
ONE ROUGH-IN, FIVE BATHROOM SOLUTIONS

No matter the application, we've got you covered. GrohFlex® is the advanced universal rough-in valve system with simplicity and flexibility built in. One rough-in works with any shower or tub/shower application – from a simple single-shower to the popular tub/shower combo to a luxurious high-flow custom shower. And it offers pressure balancing and thermostatic control solutions for both the master and secondary bath.

Single Function

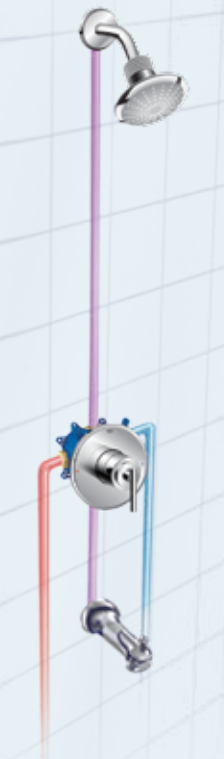
Ideal for Standard Baths
Pressure balance control module

1 Shower only



- Single function pressure balance valve

Shower/tub with diverter spout



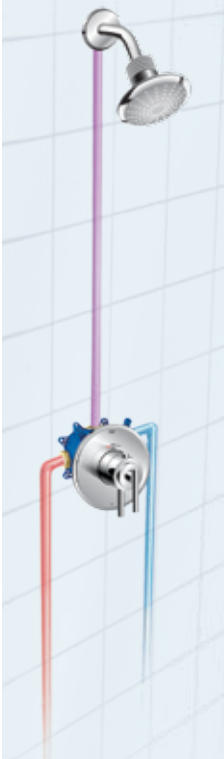
- Single function pressure balance valve
- Integrated bypass for use with diverter spout

Single Function

Ideal for Standard Baths
Thermostatic* control module

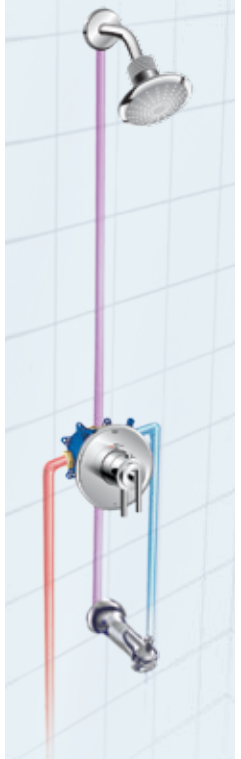
- Thermostatic modules feature GROHE TurboStat® technology

2 Shower only



- Single function thermostatic valve with integrated volume control on 1 axis

Shower/tub with diverter spout



- Single function thermostatic valve with integrated volume control on 1 axis
- Integrated bypass for use with diverter spout

* Includes control module and trim

Dual Function

Ideal for Master Baths

Available with a pressure balance or a thermostatic* control module

- Thermostatic modules feature GROHE TurboStat® technology

3 Shower/tub with non-diverter spout



• Dual function valve, pressure balance or thermostatic, both with integrated volume control and 2-way diverter function on 1 axis

2 Shower outlets



• Dual function valve, pressure balance or thermostatic, both with integrated volume control and 2-way diverter function on 1 axis

Dual Function

Ideal for Master Baths

Available with a pressure balance or a thermostatic* control module

- Thermostatic modules feature GROHE TurboStat® technology

4 2 Shower outlets/tub with diverter spout



• Dual function valve, pressure balance or thermostatic, both with integrated volume control and 2-way diverter function on 1 axis
 - Integrated bypass for use with diverter spout
 - Use twin elbow, model 03671000 for installations with three outlets

Custom Shower

Ideal for Master Baths

Thermostatic* control module only

- Features GROHE TurboStat® technology

5 High-flow custom shower; separate volume controls are required



• High-flow thermostatic valve delivers a flow rate of 53 L/min (45 gpm) at 45 psi

GROHFLEX®

UNIVERSAL ROUGH-IN

FLEXIBILITY THAT BENEFITS YOUR BUSINESS, AND EVERYONE YOU DO BUSINESS WITH

Designers, Architects and Home Builders

- Offers maximum flexibility and design options
- Covers all installation options: from single-showers to tub/shower combos to high-flow custom showers
- Offers pressure balancing and thermostatic control for both the master and secondary bath
- Simplifies project planning and rough-in construction, while offering a wide range of functionality
- Easy to upgrade from pressure balancing to thermostatic control at any time

Wholesalers and Distributors

- One rough-in and 15 Bathroom Solution Kits cover all installation options
- Simplifies ordering, warehousing and distribution
- Reduces inventory handling and product returns
- Lowers costs – fewer SKUs, parts and components
- Makes a complex business easy!

Plumber Installation/Service

- Reduces specification complexity and simplifies the installation/repair process for any size project
- Fewer decisions need to be made in the field
- Saves time, reduces costs and improves efficiency
- Integrated service stops, check valves and enhanced flushing system make for fast and easy installation/maintenance
- It's easy to install, easy to upgrade and easy to maintain
- For single function units, integrated backchannel allows for use in a tub/shower installation with diverter spout
- Thin wall mounting option – designed for acrylic and fiberwall installations

General Contractors and Professional Remodelers

- Offers smart shower design solutions while saving time and money
- Simplifies the construction process – allows rough-in installation to proceed, even if final function and trim choices have not been made
- Reduces installation errors
- All functionality is built into the valve – no additional controls for volume or diverting are needed for single-shower or tub/shower installations
- The easy and inexpensive way to enhance the secondary bathroom business with thermostatic control

Hospitality

- Simplifies new construction specifications
- Supports a standard tub/shower installation, as well as a custom “suite” installation
- Minimizes parts inventory
- Quick maintenance and upgrades, reducing downtime
- Lowers costs



GROHFLEX®

UNIVERSAL ROUGH-IN

ADVANCED ENGINEERING, SMART SOLUTIONS

Give your customers what they want

- Designed to meet the needs of the North American market
- All functions controlled from one axis, reducing the need for separate volume controls and diverters (single function and dual function models)
- Offers affordable flexibility in function and style
- Offers thermostatic control for the secondary bathroom
- Easy to change trim styles
- Easy to upgrade from pressure balancing to thermostatic control

Make a complex business easy

- Offers smart design options while saving time and money
- Simplifies project planning
- Simplifies ordering, warehousing and distribution
- Offers a wide range of functionality
- Offers maximum flexibility and design options
- Makes it easy to always have the right rough-in in stock
- Lowers costs – fewer SKUs, parts and components
- Lowers inventory handling and reduces product returns

Simplify installation

- One rough-in for all installations
- Reduces specification complexity
- ½-inch installation for all functions, including high-flow thermostat
- Streamlines construction process – allows rough-in installation to proceed even if final function and trim choices have not been made
- Reduces installation errors and associated costs
- Simplifies the repair/maintenance process

Functionality that meets your needs

- One universal rough-in does it all – covers all shower installation types: from single-showers to tub/shower combos to high-flow custom showers
- Designed to fit the universal box, the Bathroom Solution Kits contain the valve and trim – offering unique system simplicity and flexibility
- Offers pressure balancing and thermostatic control for both the master and secondary bath
- All thermostatic control modules feature patented GROHE TurboStat® technology for near instantaneous, precise temperature control
- Easy to upgrade from pressure balancing to thermostatic control at any time
- All functionality is built into the valve – no additional controls for volume or diverting are needed for single-shower and tub/shower installations
- Thermostatic high-flow option delivers a flow rate of 14 GPM (at 45 psi) – designed for luxury custom showers to power shower head and/or hand shower and a range of body jets at the same time
- Integrated service stops, check valves and an enhanced flushing system make for fast and easy installation/maintenance
- Integrated backchannel allows for use in a tub/shower installation with diverter spouts (no twin ell needed)
- Thin wall mounting capability, designed for acrylic and fiberwall installations
- Full protection against leakages in the wall from within universal rough-in box



GROHFLEX®

UNIVERSAL ROUGH-IN

CAPTURING YOUR STYLE

It's the difference between an ordinary bathroom and a GROHE bathroom. Today's bathroom goes way beyond function. It's been transformed into an environment of relaxation and pampering, an escape from the frantic outside world. The bathroom also presents a unique opportunity to showcase one's style. To this end, GrohFlex® offers a range of stunning exterior trims that's sure to fit your customers' style.

Cosmopolitan

Refined and honest, the Cosmopolitan style is a meticulous balance of design and functionality. Influenced by modern architecture and Bauhaus aesthetics, it fuses bold geometric shapes with advanced engineering.

Timeless


Making the transition between traditional and contemporary, the Timeless style is born of the tension between old and new, ornate and clean-cut, romantic and edgy. Characterized by organic form fused with modern technology, the key to Timeless design is in the mix and match of styles that make it your own.

Authentic


Reviving the romance and elegance of past eras, the Authentic style reveals a simpler, more reflective way of life. Incorporating modern engineering and functionality, Authentic design mixes a variety of traditional styles, such as Classical, Belle Époque and Art Nouveau, to create bathroom fittings that offer comfortable, inviting experiences.

Trim Styles


Suggested Coordinating GROHE Product Families




Cosmopolitan




Veris




Allure



Europlus



Eurosmart New



Eurosmart Cosmopolitan



Timeless



Essence New



Atrio



Concetto



Talia



Arden



Authentic



Kensington



Geneva



Bridgeford



Somerset



Seabury

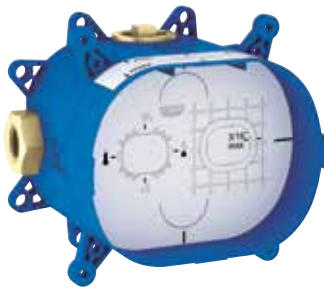
GROHFLEX® UNIVERSAL ROUGH-IN

PRODUCT LINE-UP AT-A-GLANCE

Ready for anything, and everything. With GrohFlex, function and form are uniquely blended into a simple, flexible system design that covers all shower and tub/shower installation options. So, wherever your system needs take you, you'll be ready for anything. Making a complex business easy!

And any time you need to change things up, GrohFlex® makes it simple. Easy to change out trim styles. Easy to upgrade from pressure balancing to thermostatic control. And easy to maintain and repair.

One rough-in, five functions, three trim styles – fewer SKUs that do it all. The smart solution for shower and tub/shower installation has arrived.



35 026 000
Universal Rough-In Box

Single Function Pressure Balance

Shower or tub/shower with diverter spout

Ideal for Secondary Baths

Single Function Thermostatic

Shower or tub/shower with diverter spout

Ideal for Secondary Baths

Dual Function Pressure Balance

2 shower outlets or tub/shower
with non-diverter spout

Ideal for Master Baths

Dual Function Thermostatic

2 shower outlets or tub/shower
with non-diverter spout

Ideal for Master Baths

Custom Shower Thermostatic

High-flow custom shower;
separate volume controls are required

Ideal for Master Baths

Cosmopolitan



19 880 000
StarLight® Chrome
19 880 ENO
Brushed Nickel

Includes
Control Module and Trim



19 869 000
StarLight® Chrome
19 869 ENO
Brushed Nickel

Includes
Control Module and Trim



19 881 000
StarLight® Chrome
19 881 ENO
Brushed Nickel

Includes
Control Module and Trim



19 878 000
StarLight® Chrome
19 878 ENO
Brushed Nickel

Includes
Control Module and Trim



19 879 000
StarLight® Chrome
19 879 ENO
Brushed Nickel

Includes
Control Module and Trim

Timeless



19 866 000
StarLight® Chrome
19 866 ENO
Brushed Nickel

Includes
Control Module and Trim



19 848 000
StarLight® Chrome
19 848 ENO
Brushed Nickel

Includes
Control Module and Trim



19 867 000
StarLight® Chrome
19 867 ENO
Brushed Nickel

Includes
Control Module and Trim



19 849 000
StarLight® Chrome
19 849 ENO
Brushed Nickel

Includes
Control Module and Trim



19 865 000
StarLight® Chrome
19 865 ENO
Brushed Nickel

Includes
Control Module and Trim

Authentic



19 843 000
StarLight® Chrome
19 843 ENO
Brushed Nickel
19 843 ZB0
Oil Rubbed Bronze
19 843 BE0
Polished Nickel

Includes
Control Module and Trim



19 822 000
StarLight® Chrome
19 822 ENO
Brushed Nickel
19 822 ZB0
Oil Rubbed Bronze
19 822 BE0
Polished Nickel

Includes
Control Module and Trim



19 844 000
StarLight® Chrome
19 844 ENO
Brushed Nickel
19 844 ZB0
Oil Rubbed Bronze
19 844 BE0
Polished Nickel

Includes
Control Module and Trim



19 825 000
StarLight® Chrome
19 825 ENO
Brushed Nickel
19 825 ZB0
Oil Rubbed Bronze
19 825 BE0
Polished Nickel

Includes
Control Module and Trim

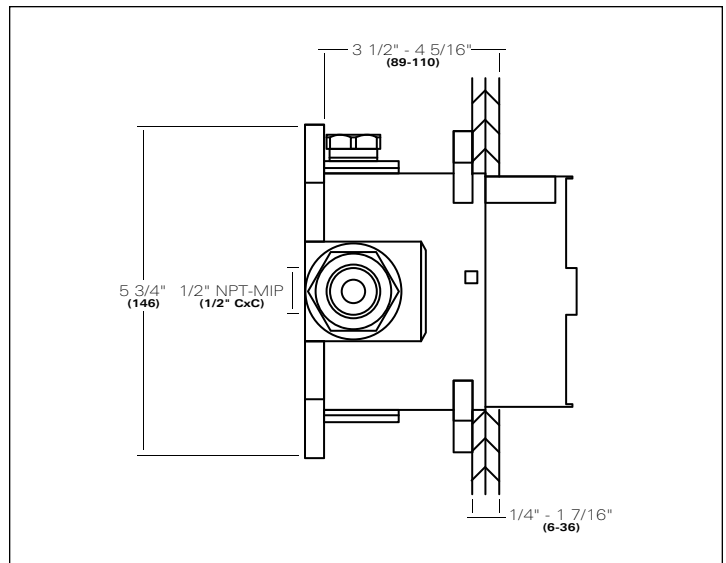
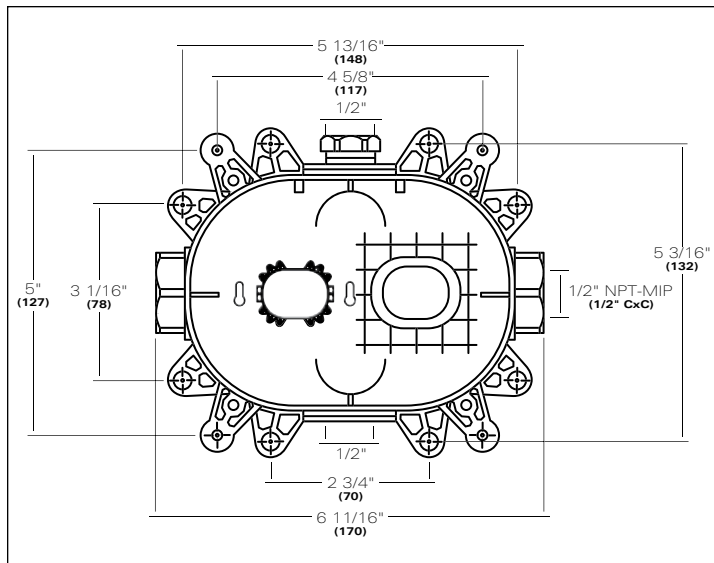
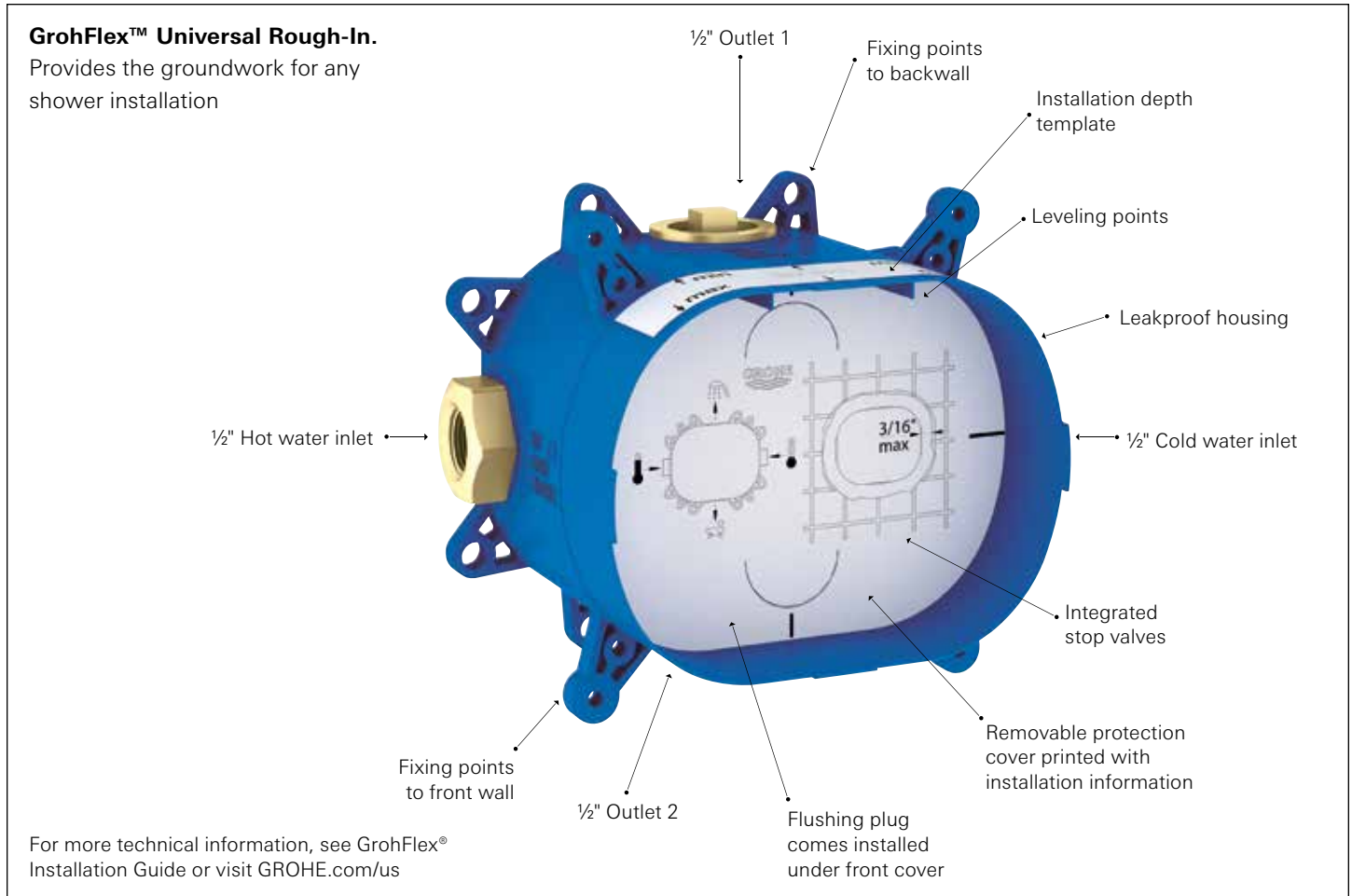


19 839 000
StarLight® Chrome
19 839 ENO
Brushed Nickel
19 839 ZB0
Oil Rubbed Bronze
19 839 BE0
Polished Nickel

Includes
Control Module and Trim

GROHFLEX® UNIVERSAL ROUGH-IN

Technical Information



GrohFlex™ Bathroom Solution Kits

Single control handle design offers easy, intuitive operation.
All functions are controlled from one axis.

For more technical information,
see GrohFlex® Installation Guide,
visit GROHE.com/us or Grohe.ca

Custom Shower Thermostatic



- [1] Double scale marking: °F/°C
- [2] 100°F / 38°C safety stop button and override button
- [3] Temperature handle

14 GPM at 45 psi (53 l/min)

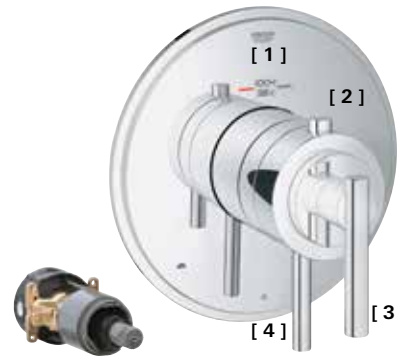
Dual Function Pressure Balance



- [1] Temperature handle
- [2] Aquadimmer volume and diverter lever; turn left to operate shower, turn right to operate bath

5.6 GPM at 45 psi (21.2 l/min)

Dual Function Thermostatic



- [1] Double scale marking: °F/°C
- [2] 100°F / 38°C safety stop button and override button
- [3] Temperature handle
- [4] Aquadimmer volume and diverter lever; turn left to operate shower, turn right to operate bath

6.6 GPM at 45 psi (25 l/min)

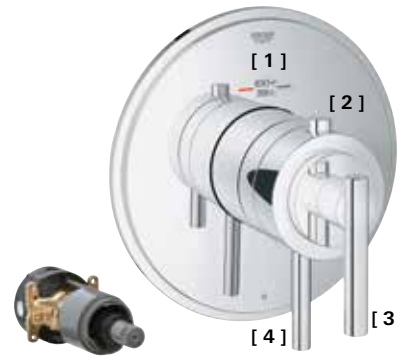
Single Function Pressure Balance



- [1] Temperature handle

6.6 GPM at 45 psi (25 l/min)

Single Function Thermostatic



- [1] Double scale marking: °F/°C
- [2] 100°F / 38°C safety stop button and override button
- [3] Temperature handle
- [4] Volume lever

6.6 GPM at 45 psi (25 l/min)

GROHE America, Inc.
Tel. 1.630.582.7711
Fax. 1.630.582.7722
us-customerservice@grohe.com

Printed in the USA
© 06/2016 GROHE America, Inc.
Roselle, IL
#0616GFB

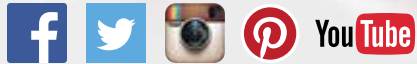
GROHE has a policy of continuous improvement and therefore reserves the right to alter product specifications without prior notice.



DISCOVER THE WORLD OF GROHE AT WWW.GROHE.COM/US



Follow us



PART OF **LIXIL**