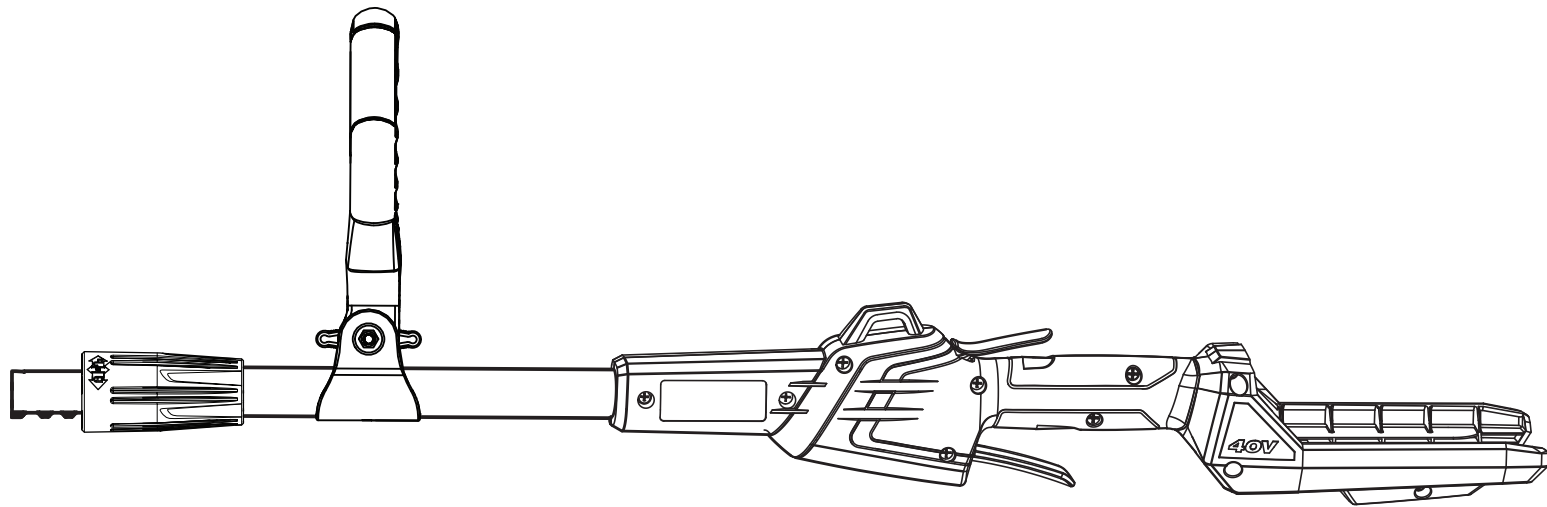


REPAIR SHEET

BRAND RYOBI		DESCRIPTION 40 Volt Power Head
MODEL NO. RY40001B RY40001BVNM	MFG. NO. 311114008 316198001	

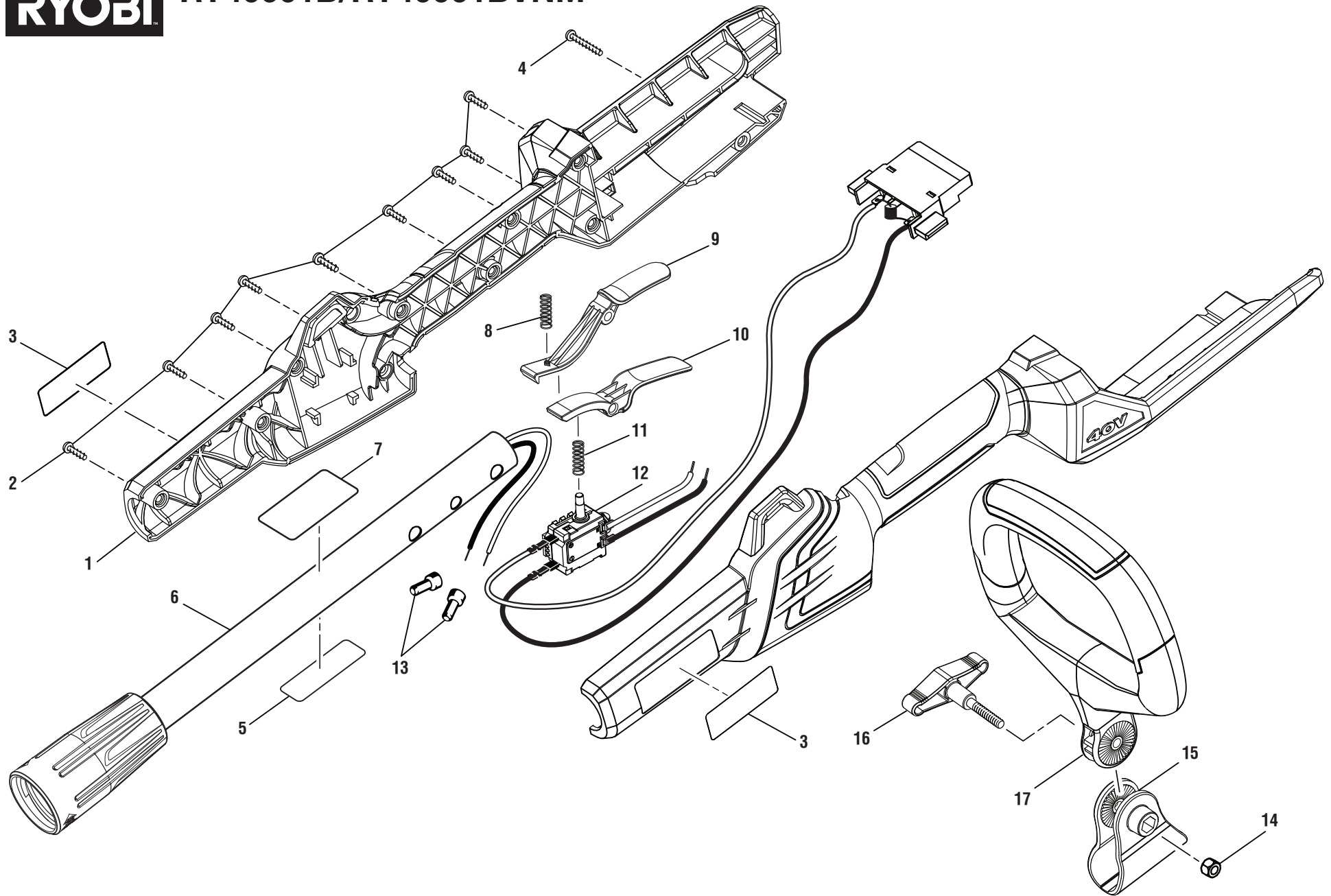


TECHTRONIC INDUSTRIES POWER EQUIPMENT

P.O. Box 1288, Anderson, SC 29622 ■ 1-800-525-2579 ■ www.ryobitools.com

11-19-20 (Rev:04)

The model number and manufacturing location will be found on a label attached to the product. Always mention this information in all communications regarding this product and when ordering parts.





RY40001B/RV40001BVNM

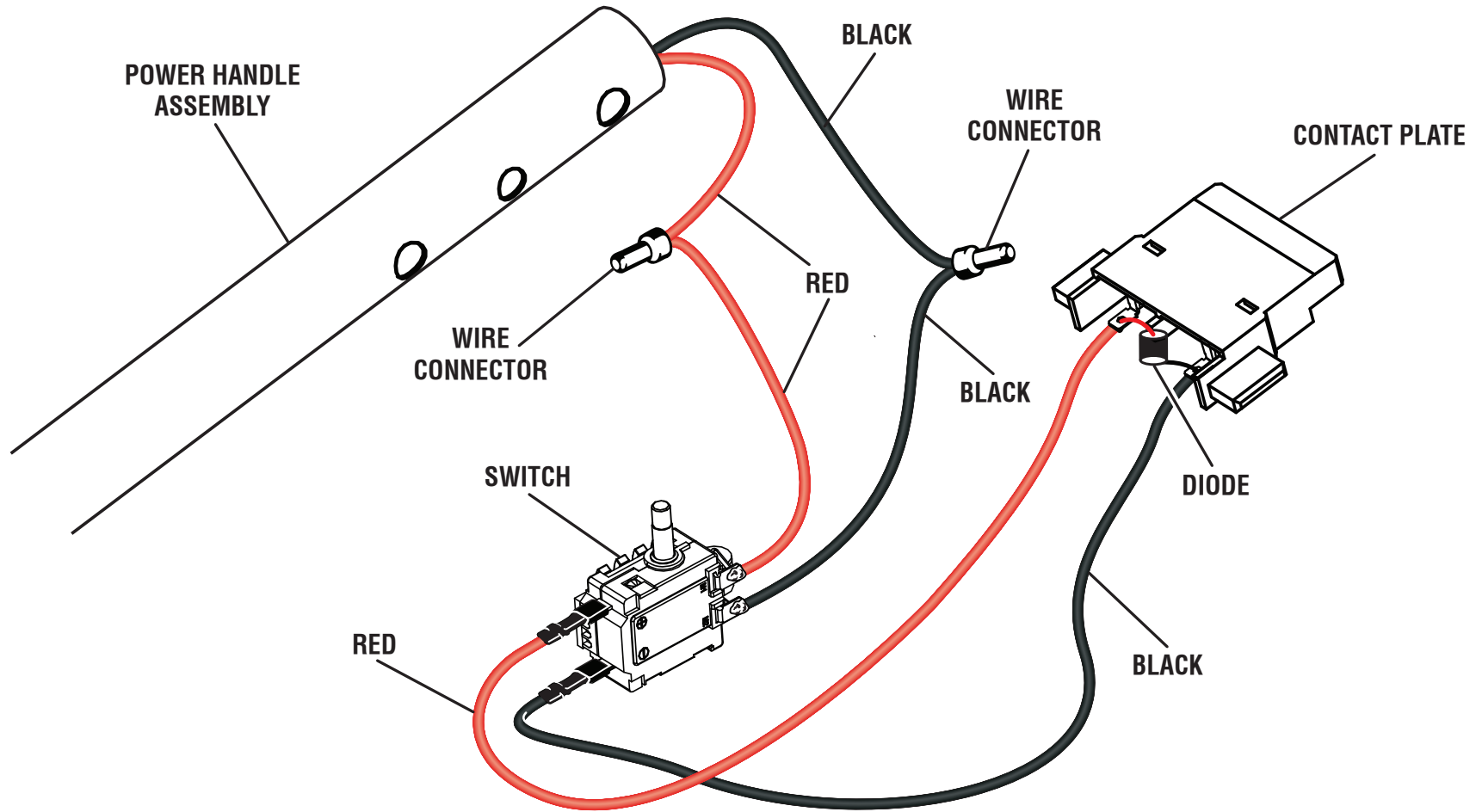
PARTS LIST

KEY NO.	PART NO.	DESCRIPTION	QTY.
1	314756001	Rear Handle Assembly (Inc. Key No. 3)	1
2	661817001	Screw (M4 x 14 mm, T15 Torx Pan Hd.)	9
3	940705492	Logo Label	2
4	660208104	Screw (M4 x 30 mm, T15 Torx Pan Hd.)	1
5	941851099	Data Label (RY40001B)	1
	941588606	Data Label (RY40001BVNM)	1
6	314794001	Upper Tube Assembly (Inc. Key Nos. 5 and 7, RY40001B)	1
	316316001	Upper Tube Assembly (Inc. Key Nos. 5 and 7, RY40001BVNM)	1
7	941851103	Warning Icon Label	1
8	679973002	Compression Spring (Trigger Lock)	1
9	525589001	Lock Off Button (Trigger Lock)	1

KEY NO.	PART NO.	DESCRIPTION	QTY.
10	525590001	Switch Trigger	1
11	679973001	Compression Spring (Trigger)	1
12	314755001	Switch and Contact Plate Assembly	1
13	790009004	Wire Connector	2
14	680196006	Hex Nut (M6)	1
15	310921001	Bracket Assembly	1
16	314754001	Handle Knob Assembly	1
17	311158001	Auxiliary Handle Assembly (Inc. Key Nos. 14-16)	1
	Not Shown:		
	995000646	Operator's Manual (RY40050, RY40001B)	
	998000009	Operator's Manual (RY40506)	



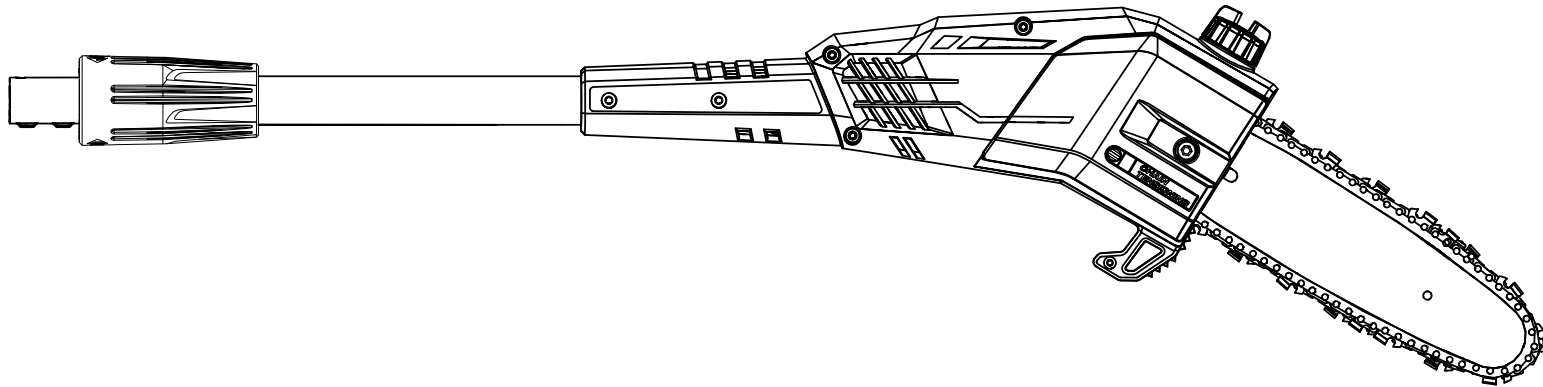
RY40001B/R40001BVNM



WIRING DIAGRAM

REPAIR SHEET

BRAND RYOBI		DESCRIPTION Pole Saw Attachment
MODEL NO. RY40051	MFG. NO. 311069006	



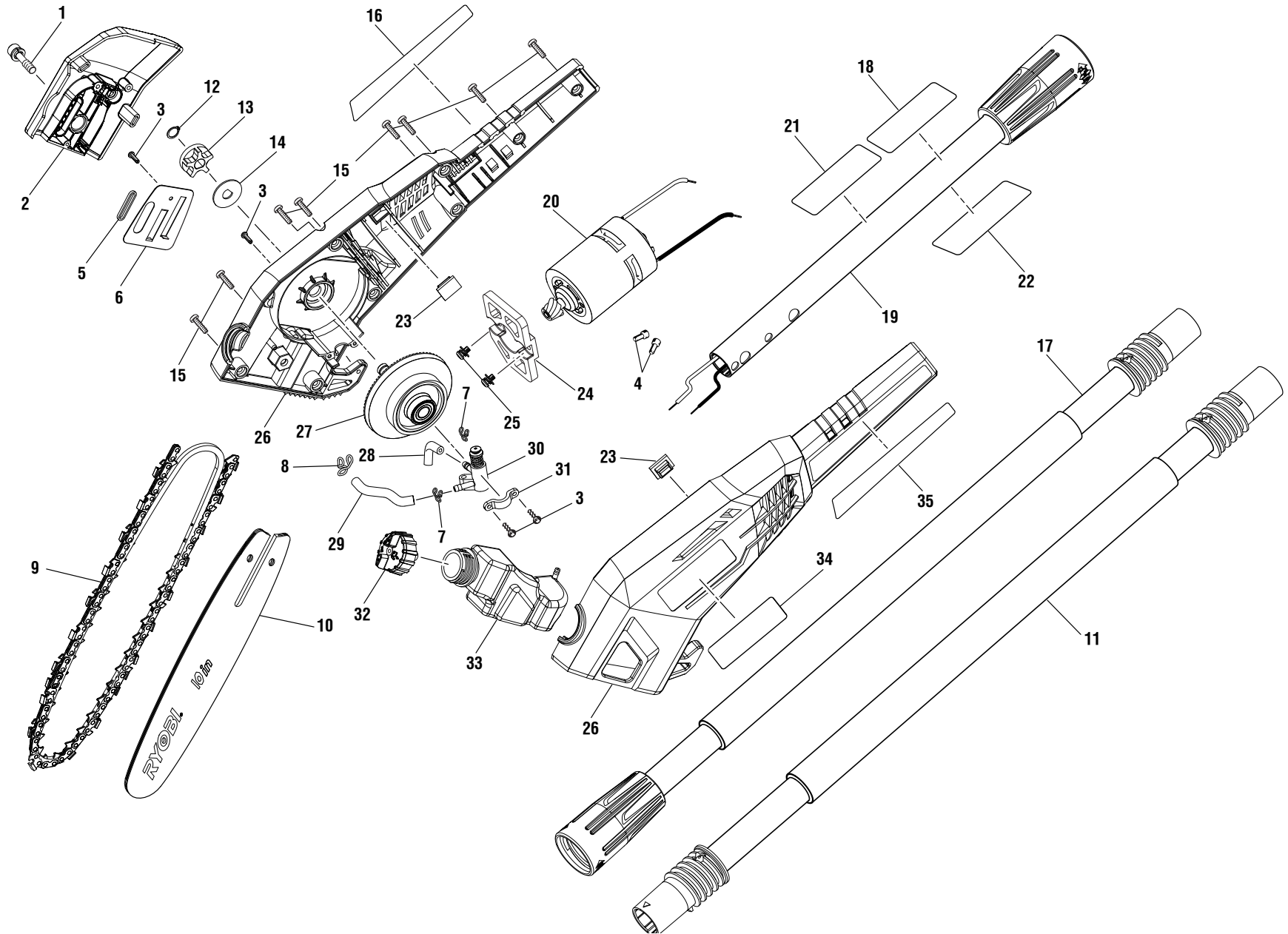
TECHTRONIC INDUSTRIES POWER EQUIPMENT

P.O. Box 1288, Anderson, SC 29622 ■ 1-800-525-2579 ■ www.ryobitools.com

12-16-20 (Rev:04)

The model number and manufacturing location will be found on a label attached to the product. Always mention this information in all communications regarding this product and when ordering parts.

RYOBI RY40051



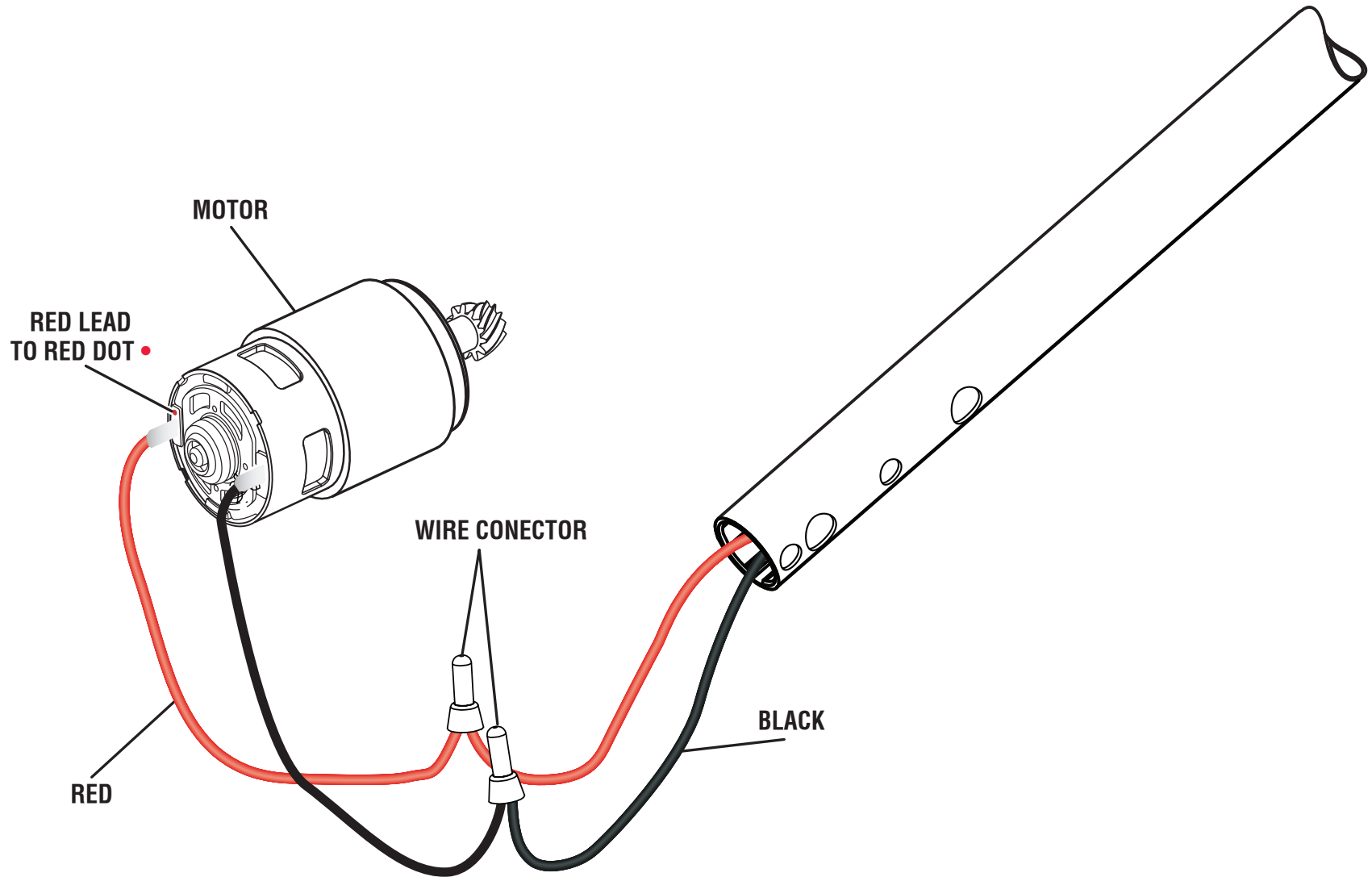


RY40051

PARTS LIST

KEY NO.	PART NO.	DESCRIPTION	QTY.
1	660058008	Screw (M6 x 25 mm)	1
2	316589001	Chain Cover Assembly	1
3	660005006	Screw (M3 x 10 mm, Pan Hd.)	4
4	790021001	Wire Connector	2
5	570820001	Rubber Seal	1
6	634561003	Guide Bar Plate	1
7	690700001	Hose Clip	2
8	690700005	Hose Clip	1
9	682115001	Chain	1
10	316668001	Guide Bar	1
11	311075001	Boom Assembly	1
12	670608002	Retaining Ring	1
13	610323001	Sprocket	1
14	690733001	"D" Washer (OD24 x ID 10 x 1.2t)	1
15	661189003	Screw (M4 x 18 mm, T20 Torx Pan Hd.)	8
16	941588814	40V Lithium Label (Right)	1
17	311081002	Extended Boom Assembly	1
18	941851096	Icon Warning Label (English)	1
19	316998001	Upper Pole Assembly (Inc. Key Nos. 18 and 21-22)	1

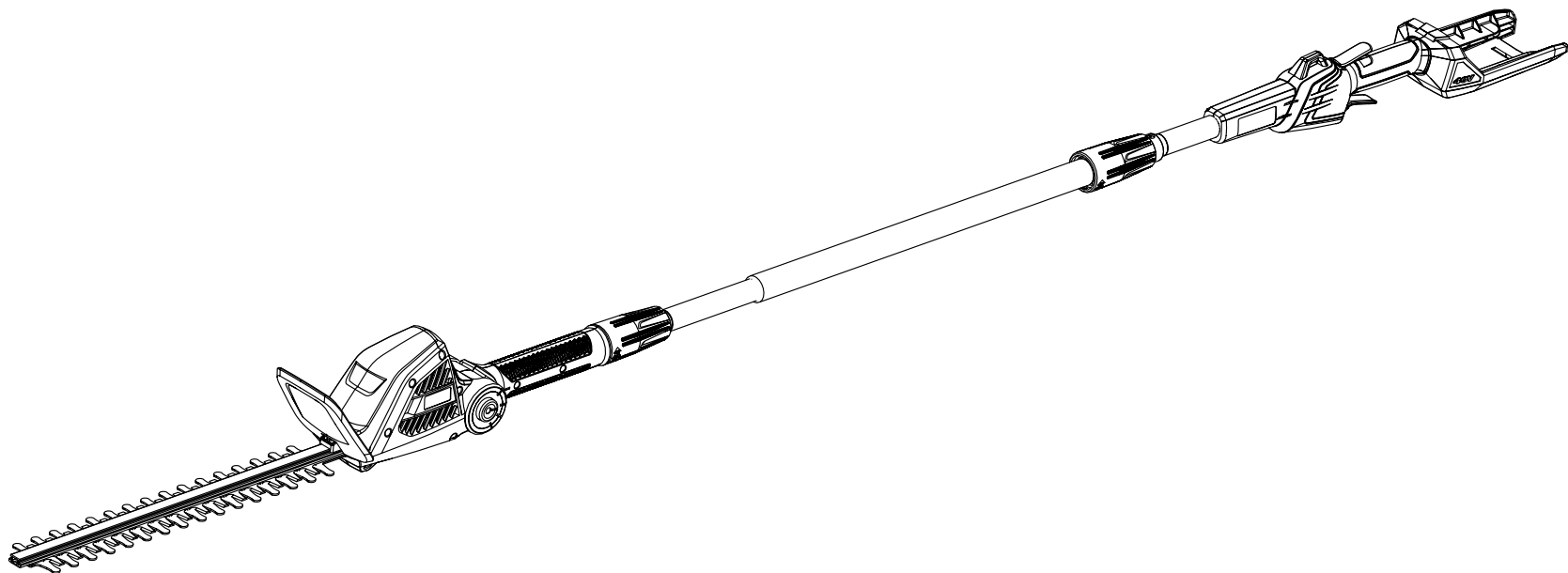
KEY NO.	PART NO.	DESCRIPTION	QTY.
20	311070002	Motor Assembly	1
21	941588698	Data Label	1
22	941851098	Warning Label (French/Spanish)	1
23	570115001	Rubber Plate	2
24	642037001	Mounting Plate	1
25	T661845001	Screw w/Washer (M5 x 9 mm, Pan Hd.)	2
26	317183001	Motor Housing Assembly (Inc. Key Nos. 16 and 34-35)	1
27	311071001	Gear Assembly	1
28	570807001	Inlet Tube	1
29	570807002	Outlet Tube	1
30	300946003	Oil Pump Assembly	1
31	531003001	Clamp	1
32	310983001	Oil Tank Cap Assembly	1
33	311072001	Oil Tank Assembly (Inc. Key Nos. 28-29 and 32)	1
34	940705494	Logo Label	1
35	941588813	40V Lithium Label (Left)	1
	Not Shown:		
	998000274	Operator's Manual	



WIRING DIAGRAM

REPAIR SHEET

BRAND RYOBI		DESCRIPTION 40 Volt Pole Hedge Trimmer
MODEL NO. RY40603 RY40603VNM	MFG. NO. 107443001 107443101	

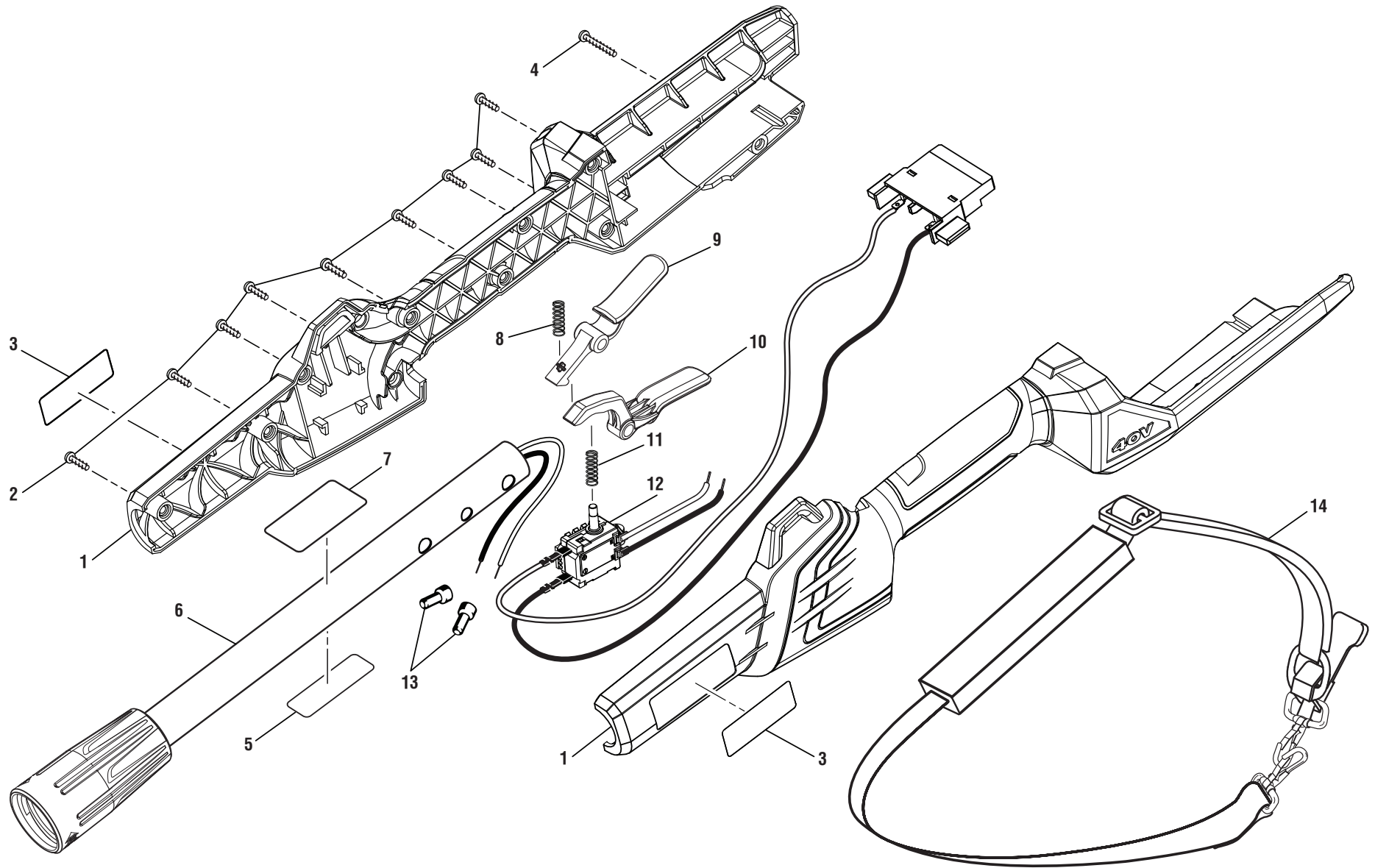


TECHTRONIC INDUSTRIES POWER EQUIPMENT

P.O. Box 1288, Anderson, SC 29622 ■ 1-800-525-2579 ■ www.ryobitools.com

3-14-21 (Rev:05)

The model number and manufacturing location will be found on a label attached to the product. Always mention this information in all communications regarding this product and when ordering parts.





RY40001B/RV40001BVNM

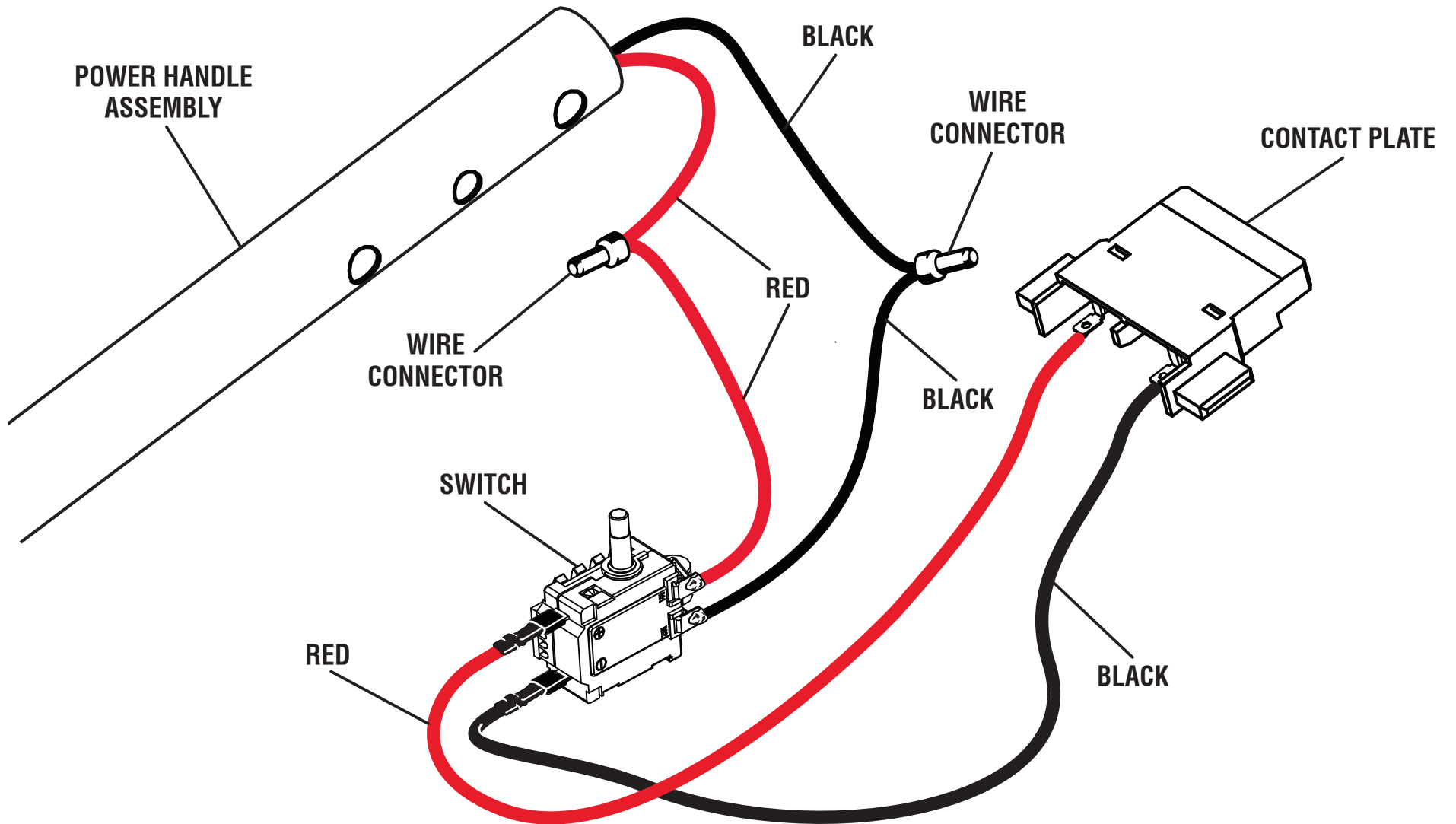
PARTS LIST — POWER HEAD

KEY NO.	PART NO.	DESCRIPTION	QTY.
1	314756001	Rear Handle Assembly (Inc. Key No. 3)	1
2	661817001	Screw (M4 x 14 mm, T15 Torx Pan Hd.)	9
3	941545002	Logo Label	2
4	660208104	Screw (M4 x 30 mm, T15 Torx Pan Hd.)	1
5	941657020	Data Label (RY40001B)	1
	941588614	Data Label (RY40001BVNM)	1
6	315869001	Upper Tube Assembly (Inc. Key Nos. 5 and 7, RY40001B)	1
	316350001	Upper Tube Assembly (Inc. Key Nos. 5 and 7, RY40001BVNM)	1
7	941851103	Warning Icons Label	1

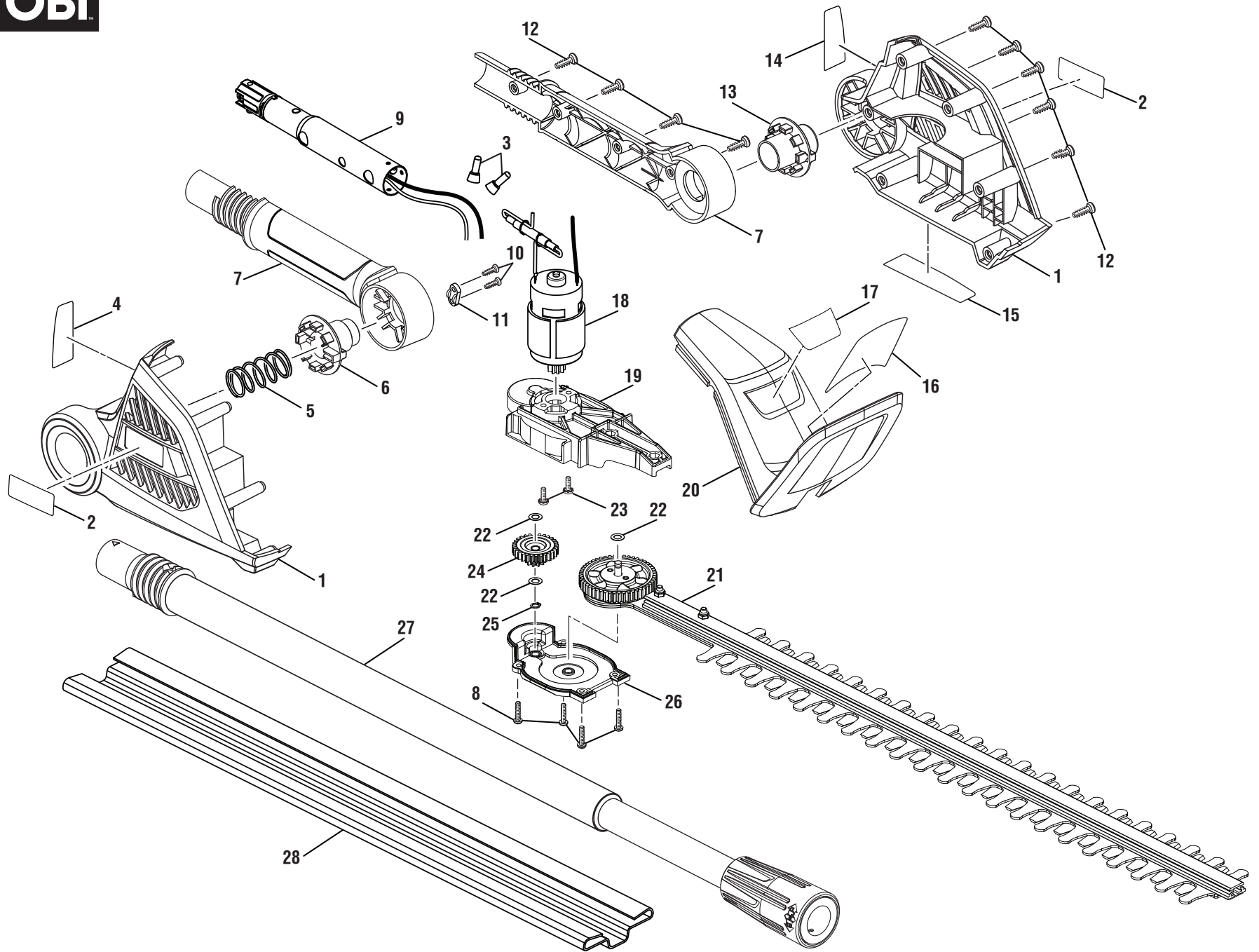
KEY NO.	PART NO.	DESCRIPTION	QTY.
8	679973002	Compression Spring (Trigger Lock)	1
9	525589001	Lock Off Button (Trigger Lock)	1
10	525590001	Switch Trigger	1
11	679973001	Compression Spring (Trigger)	1
12	291452004	Switch and Contact Plate Assembly	1
13	790009004	Wire Connector	2
14	308047001	Shoulder Strap	1
	Not Shown:		
	995000959	Operator's Manual	



RY40001B/RV40001BVNM



WIRING DIAGRAM



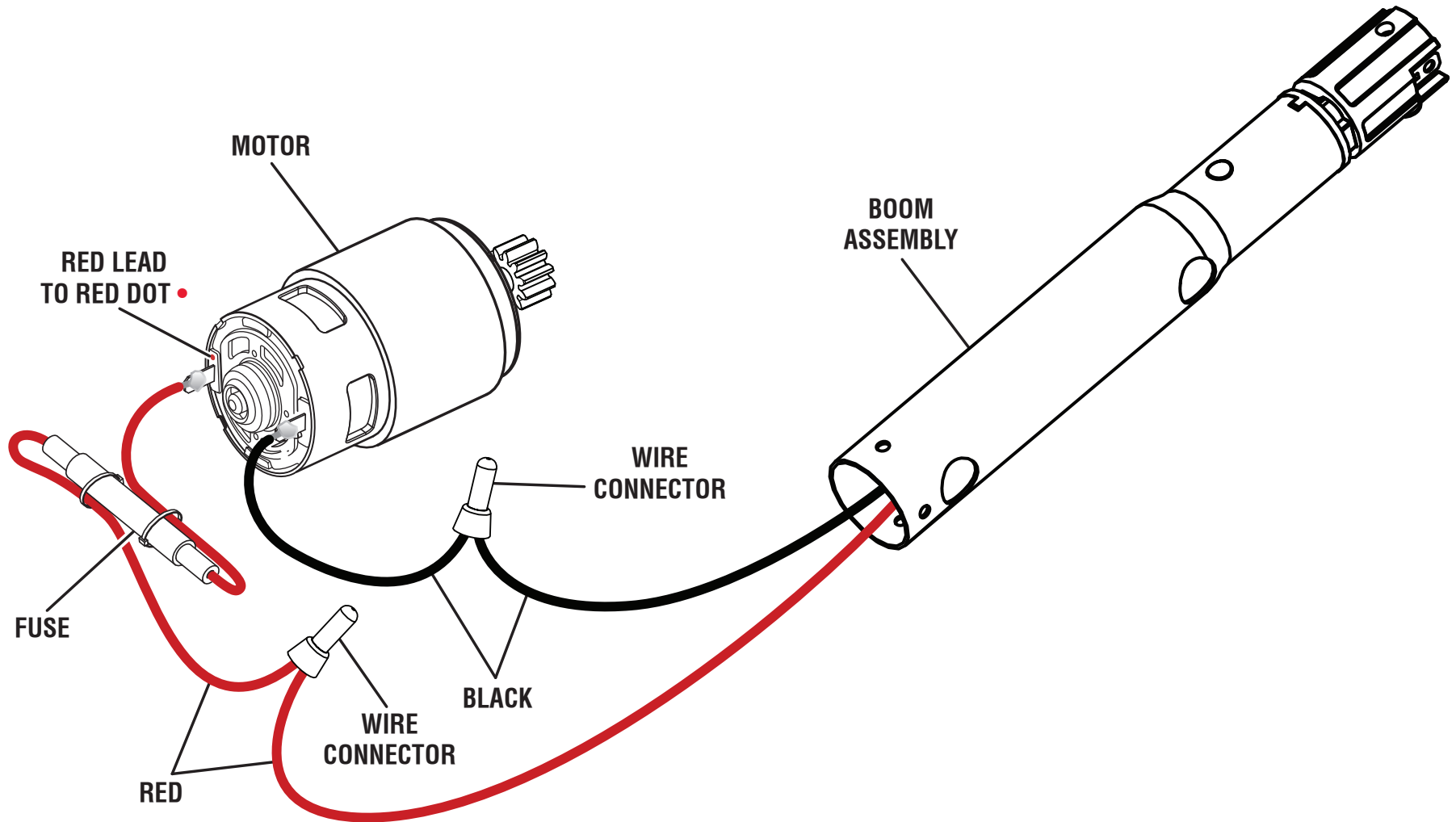


RY40060/RV40060VNM

PARTS LIST — HEDGE TRIMMER ATTACHMENT

KEY NO.	PART NO.	DESCRIPTION	QTY.
1	315870001	Motor Housing Assembly (Inc. Key Nos. 2, 4 & 14-15, RY40060)	1
	314349001	Motor Housing Assembly (Inc. Key Nos. 2, 4 & 14-15, RY40060VNM)	1
2	940114179	Logo Label	2
3	790009004	Wire Connector	2
4	940657330	Warning Icons Label (Left)	1
5	679417001	Compression Spring (Pivot Button)	1
6	525446001	Pivot Button (Right)	1
7	315753001	Pole Housing Assembly	1
8	660208052	Screw (M4 x 16 mm, Pan Hd.)	4
9	315754001	Lower Boom Assembly	1
10	661824001	Screw (M4 x 10 mm, Pan Hd.)	2
11	523001003	Strain Relief	1
12	661817001	Screw (M4 x 14 mm, T15 Torx Pan Hd.)	10
13	525447001	Pivot Button (Left)	1
14	940657331	Warning Icons Label (Right)	1

KEY NO.	PART NO.	DESCRIPTION	QTY.
15	941588465	Data Label (RY40060)	1
	941588644	Data Label (RY40060VNM)	1
16	941657021	Danger Warning Label	1
17	941588838	40V Lithium-Ion Label	1
18	311078006	Motor Assembly	1
19	311065001	Base Assembly	1
20	317479001	Motor Cover and Guard Assembly (Inc. Key Nos. 16-17)	1
21	311185001	Blade Assembly	1
22	670914001	Washer (M6, ID6.2 x 110D x 0.3t)	3
23	660137001	Screw (M4 x 12 mm, Pan Hd.)	2
24	610114001	Center Gear	1
25	670704001	Retaining Ring (External)	1
26	311066001	Gear Box Cover Assembly	1
27	311081001	Extended Boom Assembly	1
28	525406003	Scabbard	1



WIRING DIAGRAM