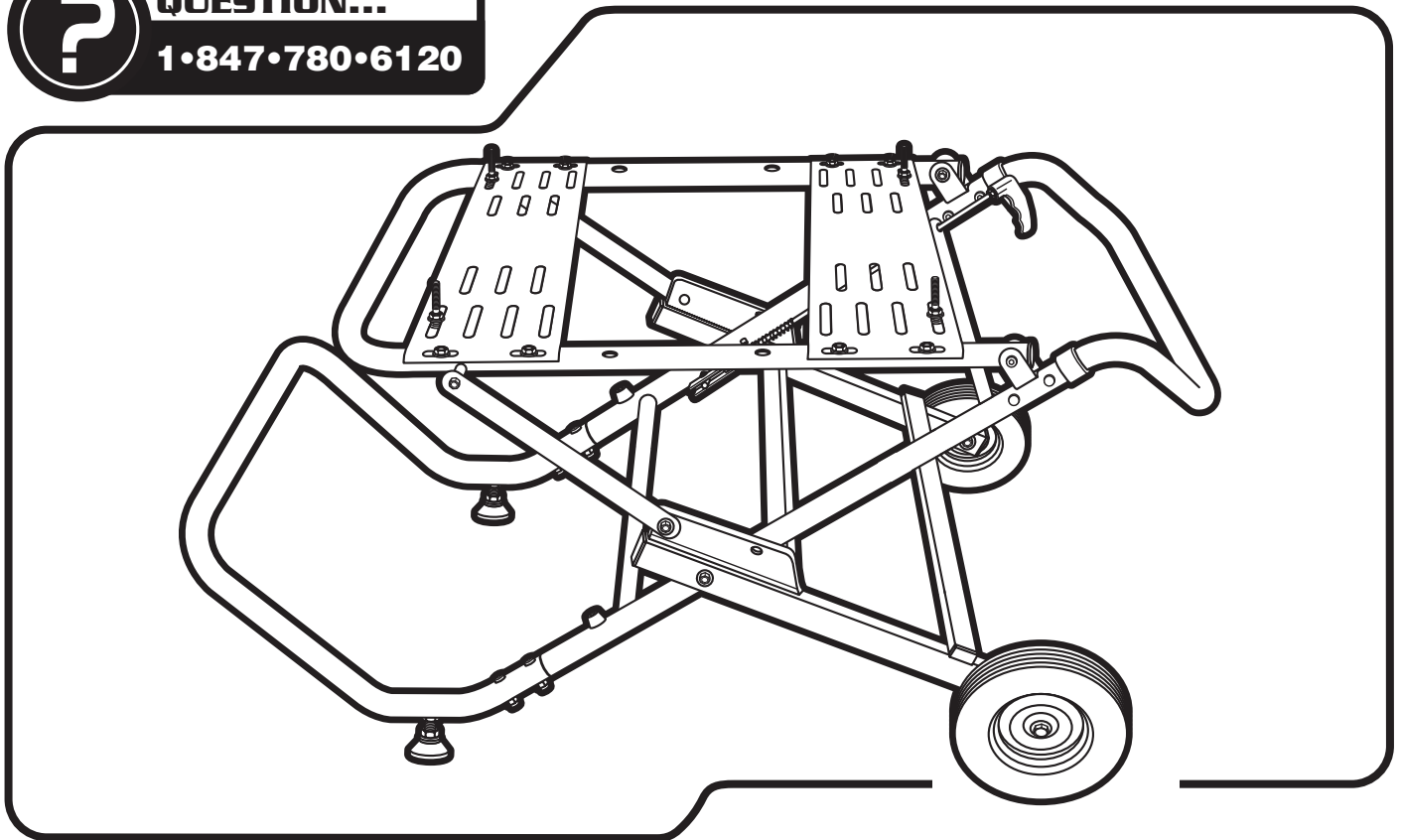


# Owner's Manual

# **POWERTEC**

# **TABLE SAW STAND**

---









Visit us on the web at [www.powertecproducts.com](http://www.powertecproducts.com)



You will need this manual for safety instructions, operating procedures, and warranty. Put it and the original sales invoice in a safe, dry place for future reference.

# TABLE OF CONTENTS

SECTION	PAGE
 <b>SAFETY RULES</b>	<b>1</b>
 <b>ASSEMBLY</b>	<b>2</b>
Unpacking	
Tools Needed	
Assembly	
Unfold the Main Frame	
Attach the Footrest and Feet	
Attach the Wheels	
Attach the Handle	
Attach the Lever Assembly	
Mounting the Saw	
 <b>OPERATION</b>	<b>5</b>
Folding and Unfolding the Stand	
Transportation and Storage	
 <b>MAINTENANCE</b>	<b>6</b>
General Maintenance	
 <b>PARTS ILLUSTRATION AND LIST</b>	<b>7</b>
 <b>WARRANTY</b>	<b>8</b>

# PRODUCT SPECIFICATIONS

Net Weight: .....35.3 lbs (16 kg)  
Maximum Weight Capacity: .....331 lbs (150 kg)  
Maximum Mounting Space: .....20-5/8" x 18-1/2"  
(52.4 cm x 47.1 cm)  
Stand Height: .....22-5/8" (57.5 cm)



## **WARNING**

For your own safety, read all of the rules and precautions before operating tool.

## **WARNING**

Always follow proper operating procedures as defined in this manual even if you are familiar with use of this table saw stand or any tool used with this stand. Remember that being careless for even a fraction of a second can result in severe personal injury.

You must be familiar with the use of any tool or accessory used with this table saw stand. The supplier cannot be held responsible for any accident, injury or damage incurred while using this stand with any tool.

## **WARNING**

Some dust created by operation of power tool contain chemicals known to the State of California to cause cancer, birth defects or other reproductive harm. To reduce your exposure to these chemicals, work in a well ventilated area and work with approved safety equipment. Always wear OSHA/NIOSH approved, properly fitting face mask or respirator when using such tools.

## **CAUTION**

Do not modify or use this stand for any application other than that for which it was designed.

### **SAFETY FOR WORK STAND**

- Do not attempt to assemble or operate your table saw stand until you have read the safety instructions in this section.
- Only use your table saw stand on a hard, dry and flat surface.
- Keep your work area clean and well lit. Cluttered or dark areas invite accidents.
- Do not overreach. Keep proper footing and balance at all times.
- Do not load the table saw stand with more than 331 lbs (150 kg).

- Store properly. Do not store the table saw stand outdoors or in a damp location.
- Do not stand or climb on table saw stand. It could tip over, causing serious injury.
- Do not permit children to use the table saw stand unsupervised. It is not a toy.
- Test for stability of the table saw stand before using your saw and table saw stand.
- Dress properly. Do not wear loose clothing or jewelry. Keep your hair, clothing and gloves away from moving parts. Loose clothes, jewelry or long hair can be caught in moving parts. Always wear non-slip footwear. Tie back long hair. Roll long sleeves above the elbow.
- Always firmly attach the saw used with this stand. Do not attempt to use the saw on the table saw stand until the saw is fastened firmly.
- Be sure all hardware mounting the saw to the table top is tight before folding and transporting the saw on the table saw stand.
- Take care when folding the table saw stand to reduce the hazard of pinching hands and fingers.
- Be aware of tipping. When a large piece is cut from one end of a job, the remaining piece may be heavy enough to tip the table saw stand. Always ensure the workpiece is well supported.
- Always keep all guards in place. Be sure all power tool guards are in good working order and are in proper adjustment and alignment.
- Always keep your hands away from the cutting area.

## **CAUTION**

Think safety! Safety is a combination of operator common sense and alertness at all times when tool is being used.

## **WARNING**

Do not attempt to operate tool until it is completely assembled according to the instructions.

**SAVE ALL WARNINGS AND INSTRUCTIONS  
FOR FUTURE REFERENCE**

## 2

## ASSEMBLY

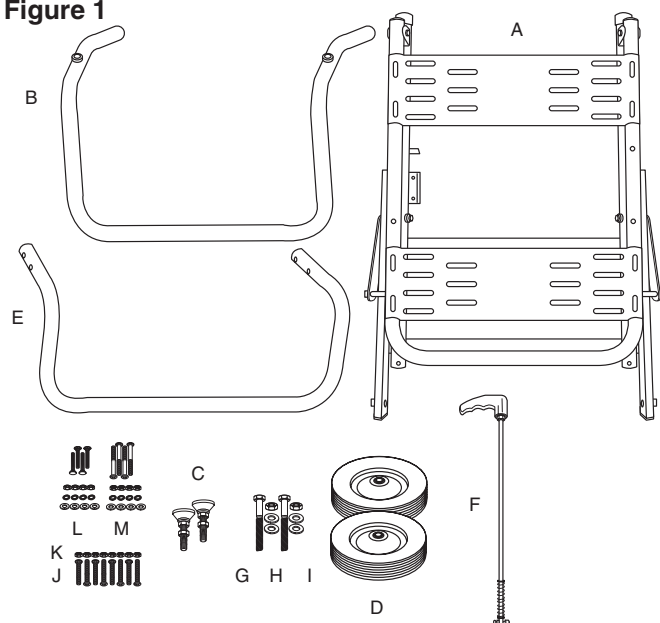
## UNPACKING

## Refer to Figure 1

Check for shipping damage. Check immediately that all parts and accessories are included.

ITEM	DESCRIPTION	QTY
A	Main Frame	1
B	Footrest	1
C	Feet	2
D	Wheels	2
E	Handle	1
F	Lever Assembly	1
G	Wheel Bolts M12x 80 (Wheel)	2
H	Flat Washers (Wheel)	4
I	Hex Locking Nut M12 (Wheel)	2
J	Button Head Screws M8x40 (Footrest/Handle)	8
K	Hex Locking Nut M8 (Footrest/Handle)	8
L	Saw Mounting Hardware - 1-3/4" set (Mounting Bolt, Washer, Lock Washers and Nut)	4
M	Saw Mounting Hardware 2-1/2" set (Mounting Bolt, Washer, Lock Washers and Nut)	4

Figure 1



## TOOLS NEEDED

The following tools (not included) are needed to assemble the table saw stand:

- 1 - 13 mm wrench (Footrest, Handle Assembly and 1-3/4" Mounting Hardware)
- 1 - 5 mm wrench (Footrest, Handle Assembly and 2-1/2" Mounting Hardware)
- 1 - 8 mm wrench (Lever Assembly)
- 2 - 19 mm wrench (Footrest, Wheels Assembly)
- 1 - 8 mm wrench (Footrest, Wheels Assembly)
- 1 - Phillips screw driver (Lever Assembly)

## ASSEMBLY

## Unfold the Main Frame

## Refer to Figure 2-3

- Push locking mechanism down and unfold the main frame as shown in Figures 2-3.

Figure 2

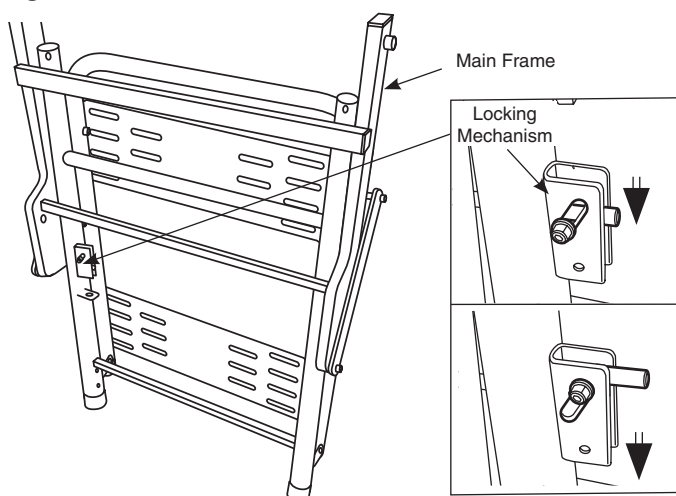
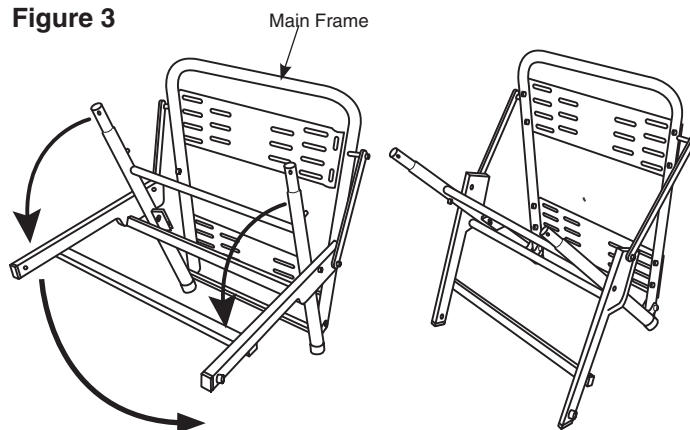


Figure 3

**WARNING**

Do not use the table saw stand until it is completely assembled and you have read and understood this entire operating manual and the operating manual of the tool being used with this table saw stand.

**WARNING**

Do not use the table saw stand for scaffolding or as a ladder. Make sure to securely tighten all fasteners before using. Maximum capacity is 331 lbs (150 kg).

## Attach the Footrest and Feet

Refer to Figure 4–5

- Slide the footrest onto the main frame and secure with four button head screws and four hex locking nuts (two on each side).
- Screw the feet into the footrest as shown in Figure 5. The adjustable nut on the feet can be used to level and adjust the height of the stand.

Figure 4

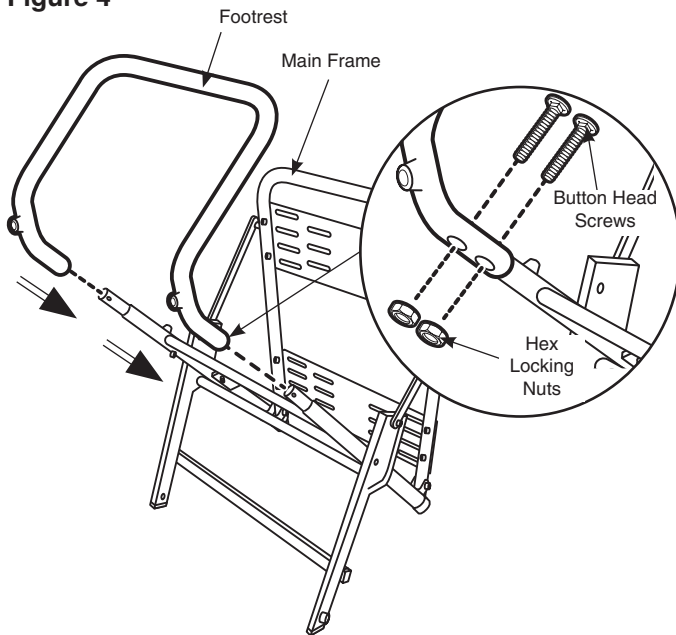
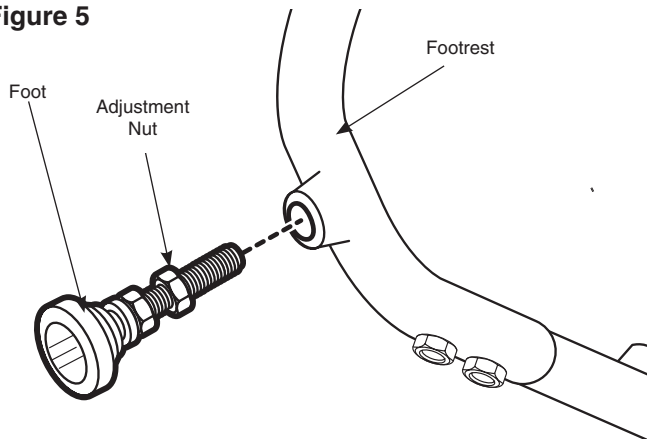


Figure 5



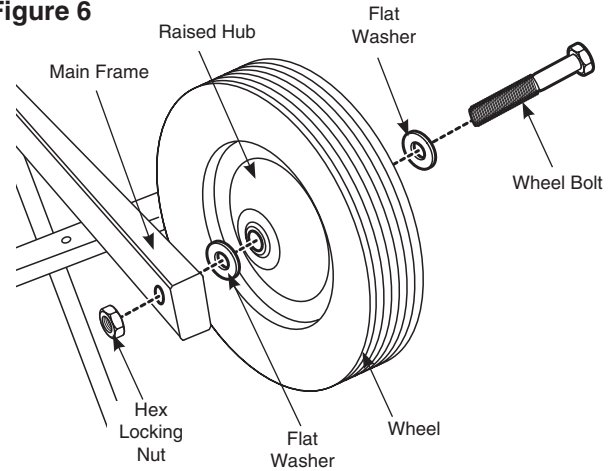
## Attach the Wheels

Refer to Figure 6

- Orient the wheel with the raised hub next to the main frame. Place a flat washer onto the wheel bolt, slide the wheel bolt through the wheel and another flat washer (a washer should be on each side of the wheel) and then thread the wheel bolt through the threaded boss on the main frame. Make sure the wheel turns freely and then secure with hex locking nut. DO NOT over tighten, if too tight the wheel will not turn.

- Repeat with other wheel.

Figure 6

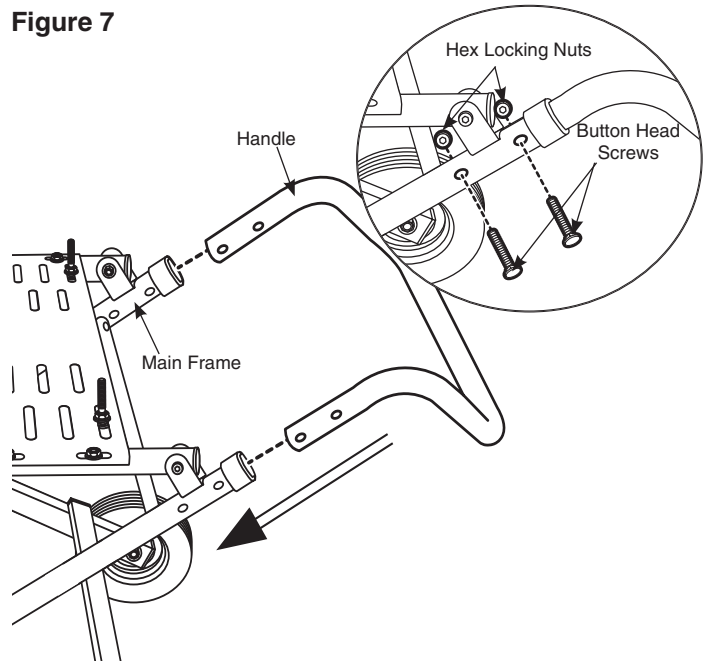


## Attach the Handle

Refer to Figure 7

- Slide the handle onto the main frame and secure with four button head screws and four hex locking nuts (two on each side).

Figure 7



## Attach the Lever Assembly

Refer to Figure 8–10

- Remove the bolt, washers, nut, large washer and spring from the lever assembly (See Figure 10).
- Place the large washer and spring between the locking mechanism and the welded bracket as shown in Figure 8.
- Slide the lever through the holes in the frame, spring, large washer and into the locking mechanism.
- Align the holes in the locking mechanism and the lever assembly rod. Secure in place with bolt, washers and nut as shown in Figure 10. Tighten nut.

Figure 8

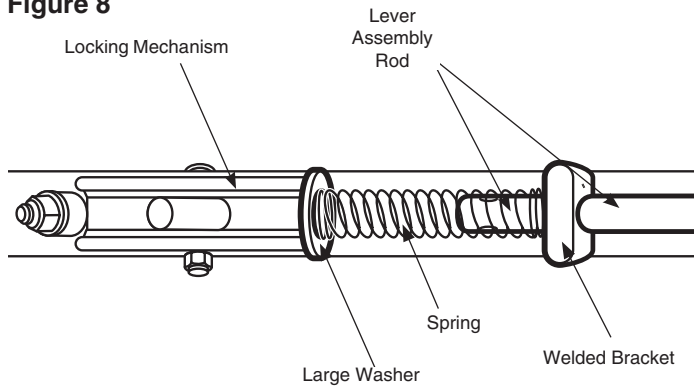


Figure 9

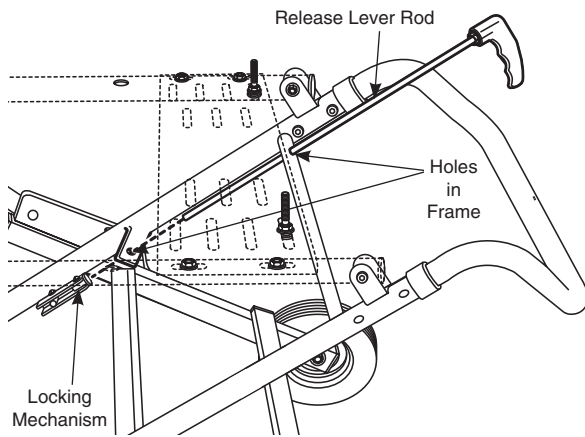
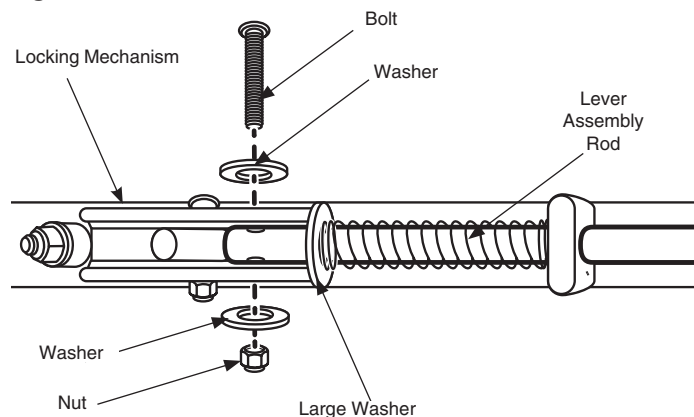


Figure 10



## Mounting the Saw

Refer to Figure 11



Risk of accidental starting and serious personal injury. Unplug the saw before attaching it to the saw stand.



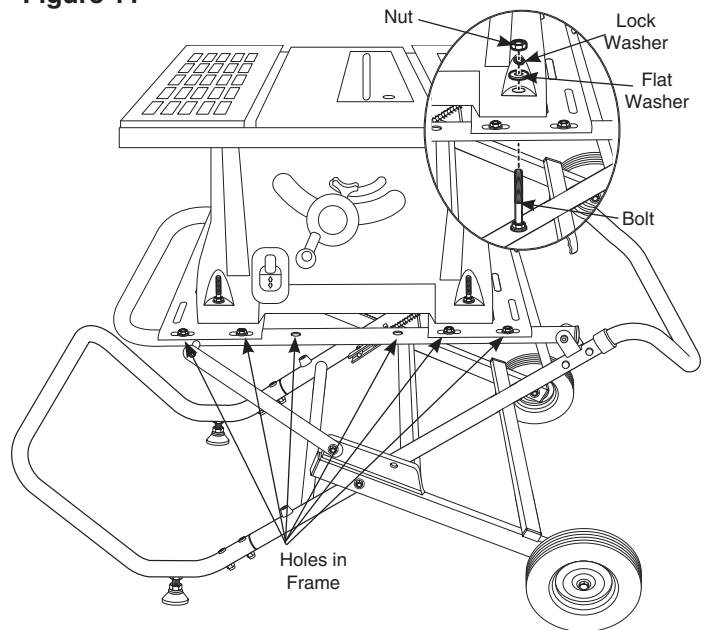
Risk of serious personal injury. Always make sure the saw is fully supported and securely attached to a level work surface. Make sure the table saw stand is located on a flat surface.

**NOTE:** There are two sets of mounting hardware, a 1-3/4" set for mounting to the table top and a 2-1/2" set for mounting a larger saw directly to the frame using the holes in the frame.

- Place the saw to be used on the table top.
- Move the saw around until the hole pattern matches the slot combination on the table top, secure with the mounting hardware (1-3/4" set) supplied.
- Insert the bolt through the bottom of the table and secure with flat washer, lock washer and nut.

**NOTE:** When mounting a larger saw directly to the frame using the mounting hardware (2-1/2" set) supplied ALWAYS insert the bolt through the bottom of the table and secure with flat washer, lock washer and nut.

Figure 11





## WARNING

Do not use the table saw stand for scaffolding or as a ladder. Make sure to securely tighten all fasteners before using. Maximum capacity is 331 lbs (150 kg).

## Folding and Unfolding the Stand

Refer to Figure 12

**NOTE:** Take care when folding and unfolding the stand to reduce the hazard of pinching hands and fingers.

### To Fold

- While holding the handle, pull the lever and lift up on the handle, the table top will tilt down and the frame will fold close.

### To Unfold

- While holding the handle, pull the lever and push down on the handle until it clicks into place.

Figure 12

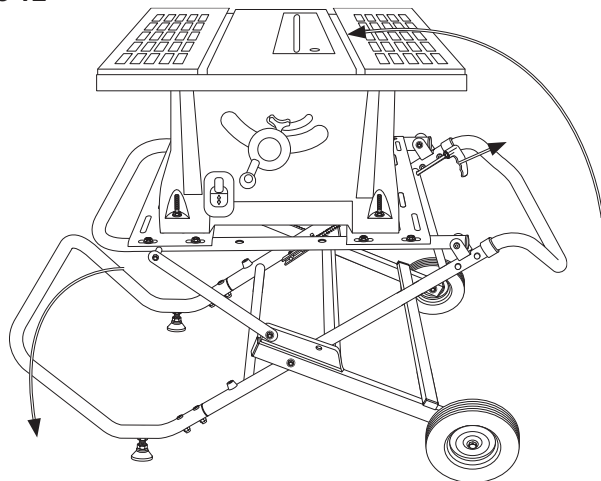


Figure 13

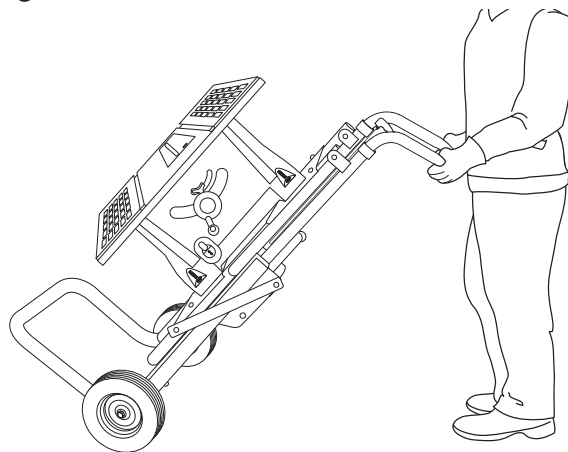
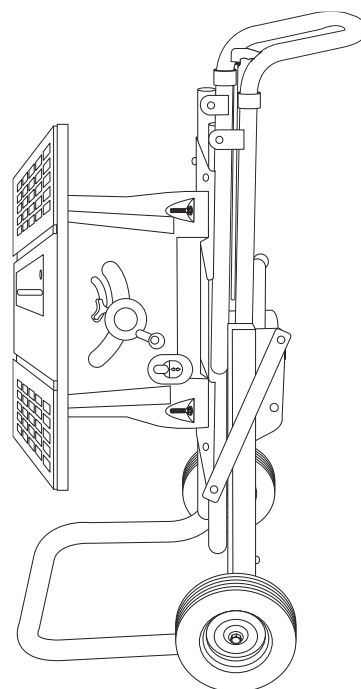


Figure 14



## Transportation and Storage

Refer to Figure 13, 14

## WARNING

Risk of unsafe operation. Ensure proper footing and use caution when rolling the table saw stand to prevent tipping or loss of balance.

- See the **Folding and Unfolding the Stand** paragraph to place the stand in the folded position.
- To move the stand, use handle to lift and tilt the table saw stand onto the wheels. Move table saw stand as shown.
- Holding the handle, carefully lower the stand to the ground.
- The stand may be stored in the vertical or horizontal position with the tool attached.

**GENERAL MAINTENANCE**** WARNING**

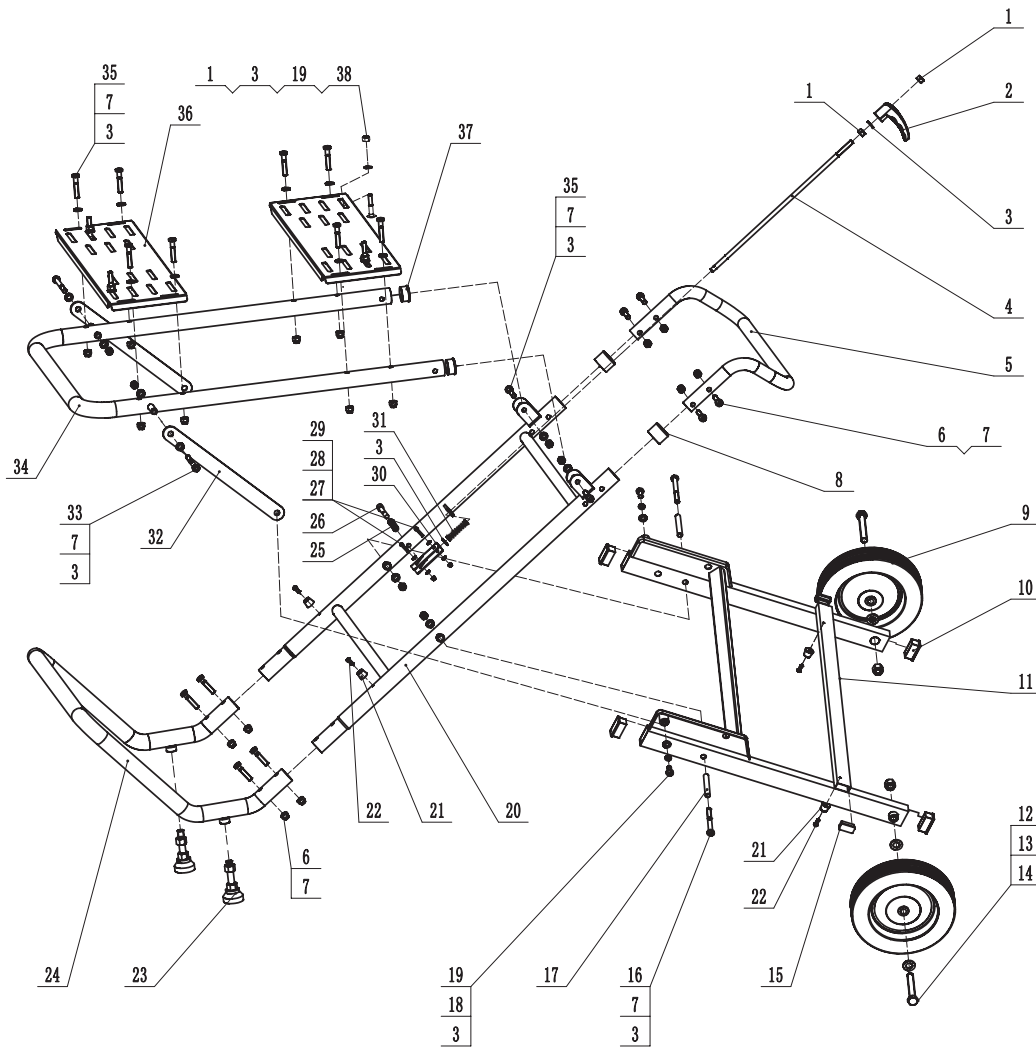
When servicing, use only identical replacement parts. Use of any other parts may create a hazard or cause product damage. To ensure safety and reliability, all repairs should be performed by a qualified service technician.

** WARNING**

Keep the table saw stand dry, clean, and free from oil and grease. Always use a clean cloth when cleaning. Never use brake fluids, gasoline, petroleum based products or any strong solvent to clean the table saw stand . Chemicals can damage, weaken or destroy plastic which may result in serious personal injury.



# TABLE SAW STAND PARTS ILLUSTRATION AND LIST



Key#	Part#	Description	Specifications	Qty	Key#	Part#	Description	Specifications	Qty
1	MT4009001	Nut	M8	6	21	MT4009021	Rubber Mat	φ17*14	4
2	MT4009002	Locking Handle	ABS	1	22	MT4009022	Cross Recessed Countersunk Head Tapping Screws	M4.2x16	4
3	MT4009003	Flat Washer		24	23	MT4009023	Levelling Pads	M12x55,φ40	2
4	MT4009004	Locking Shaft	Ø8	1	24	MT4009024	Foot Frame		1
5	MT4009005	Handle	25x1.2	1	25	MT4009025	Spring	φ10*38	1
6	MT4009006	Hexagon Socket Button Head Screws	M8x40	8	26	MT4009026	Locking Pin		1
7	MT4009007	Hex Locking Nut	M8	22	27	MT4009027	Phillip Pan Head Screw	M4x20	2
8	MT4009008	Tube Sleeve		2	28	MT4009028	Flat Washer		4
9	MT4009009	Wheels		2	29	MT4009029	Nut	M4	2
10	MT4009010	End Cap	40x20	4	30	MT4009030	Lock		1
11	MT4009011	Wheel Housing Welded Part		1	31	MT4009031	Spring	φ11x52	1
12	MT4009012	Wheel Bolt	M12x80	2	32	MT4009032	Frame Fixing Plate		2
13	MT4009013	Flat Washer		4	33	MT4009033	Hexagon Socket Button Head Screws	M8x85	2
14	MT4009014	Hex Nut	M12	2	34	MT4009034	Worktop		1
15	MT4009015	End Cap	30x15	2	35	MT4009035	Hexagon Socket Button Head Screws	M8x45	10
16	MT4009016	Hexagon Socket Button Head Screws	M8x75	2	36	MT4009036	Mounting Bracket Worktop		2
17	MT4009017	Axle Housing	Ø15	2	37	MT4009037	Endcaps	φ32	2
18	MT4009018	Hexagon Socket Button Head Screws	M8*16	2	38	MT4009038	Carriage Bolt M8x45	M8x45	4
19	MT4009019	Lock Washer		6		MT4009039	Button Head Screws M8X55	M8x65	4
20	MT4009020	Support Frame		1					

Thank you for investing in a **POWERTEC** power tool. This product has been designed and manufactured to meet high quality standards and is guaranteed for domestic use against defects in workmanship or material for a period of 12 months from the date of purchase. This guarantee does not affect your statutory rights.

### **SOUTHERN TECHNOLOGIES LLC. BENCH TOP AND STATIONARY POWER TOOL LIMITED 1 YEAR WARRANTY AND 30-DAY SATISFACTION GUARANTEE POLICY**

**POWERTEC** products are designed and manufactured by **Southern Technologies LLC**. All warranty communications should be directed to **Southern Technologies LLC** by calling 847-780-6120, 9 AM to 5 PM, Monday through Friday, US Central Time.

#### **30- DAY SATISFACTION GUARANTEE POLICY**

During the first 30 days after the date of purchase, if you are dissatisfied with the performance of this **POWERTEC** tool for any reason, you may return the tool to the retailer from which it was purchased for a full refund or exchange. You must present proof of purchase and return all original equipment packaged with the original product. The replacement tool will be covered by the limited warranty for the balance of the one year warranty period.

#### **LIMITED ONE YEAR WARRANTY**

This warranty covers all defects in workmanship or materials in this **POWERTEC** tool for a one year period from the date of purchase. This warranty is specific to this tool. **Southern Technologies, LLC** reserves the right to repair or replace the defective tool, at its discretion.

#### **HOW TO OBTAIN SERVICE**

To obtain service for this **POWERTEC** tool you must return it, freight prepaid, to **POWERTEC**. You may call (toll free) 847-780-6120 for more information. When requesting warranty service, you must present the proof of purchase documentation, which includes a date of purchase. **POWERTEC** will either repair or replace any defective part, at our option at no cost to you. The repaired or replacement unit will be covered by the same limited warranty for the remainder of the one year warranty period.

#### **WHAT IS NOT COVERED**

This warranty applies to the original purchaser at retail and may not be transferred.

This warranty does not cover consumable items such as saw blades, knives, belts, discs, cooling blocks and sleeves. This warranty does not cover required service and part replacement resulting from normal wear and tear, including accessory wear.

This warranty does not cover any malfunction, failure or defect resulting from:

- 1) misuse, abuse, neglect and mishandling not in accordance with the owner's manual.
- 2) damage due to accidents, natural disasters, power outage, or power overload.
- 3) commercial or rental use.
- 4) alteration, modification or repair performed by persons not recommended by **POWERTEC**.

#### **DISCLAIMER**

To the extent permitted by applicable law, all implied warranties, including warranties of **MERCHANTABILITY** or **FITNESS FOR A PARTICULAR PURPOSE**, are disclaimed. Any implied warranties, that cannot be disclaimed under state law are limited to one year from the date of purchase. **Southern Technologies LLC**. is not responsible for direct, indirect, incidental or consequential damages. Some states do not allow limitations on how long an implied warranty lasts and/or do not allow the exclusion or limitation of incidental or consequential damages, so the above limitations may not apply to you. This warranty gives you specific legal rights, and you may also have other rights which vary from state to state. **Southern Technologies LLC**., makes no warranties, representations, or promises as to the quality or performance of its power tools other than those specifically stated in this warranty.



***POWERTEC***

Southern Technologies, LLC,  
Waukegan, IL 60087