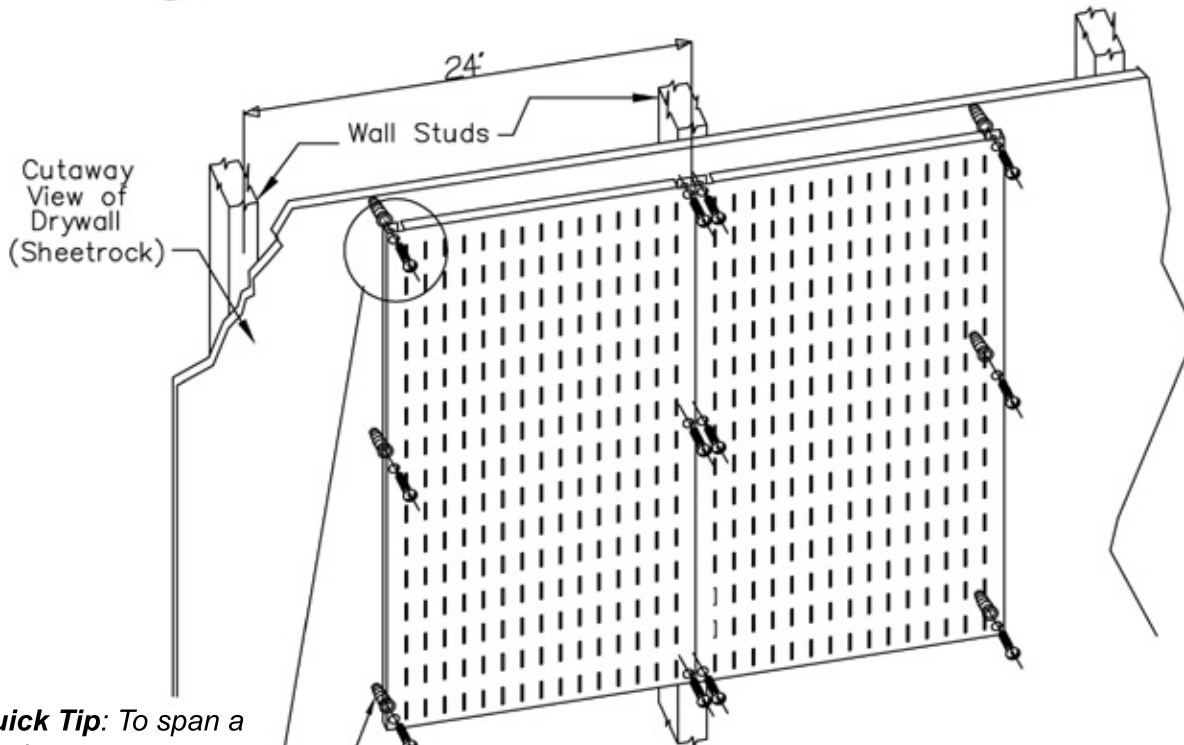




# Installation & Assembly

## Multiple Panels

Slots should be vertical for use with Wall Control Accessories

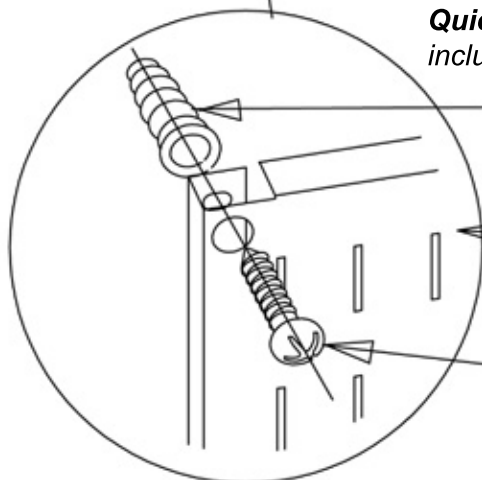


**Quick Tip:** To span a single accessory across multiple panels, a penny's thickness between the panels creates the perfect spacing. Note, this is not required for any Wall Control accessory

If possible, align panel joint on centerline of the stud (for conventional 16" stud spacing it is possible to anchor to every stud along the length of the install if studs are true 16" on center and the first panel is aligned along the centerline of the first stud)

On all holes where a stud is not accessible, the provided plastic hollow wall anchors can be utilized in lieu of contact with a stud. Mark the hole position and drill a hole that can accommodate the anchor used.

**Quick Tip:** Stripping out the mounting holes in sheetrock with the screws included create a perfect sized hole to hammer the provided anchors into



Plastic wall anchor (provided) inserted into sheetrock

Panel Face

Mounting screw (provided) passes through panel face to mount flush with return flange and wall or flat surface into stud, anchor, or other backing