



# Assembly & Installation Instructions

**CAUTION:** Read instructions carefully and turn electricity off at main circuit breaker panel before beginning installation.

## 5786, 5787, 5788, 5789

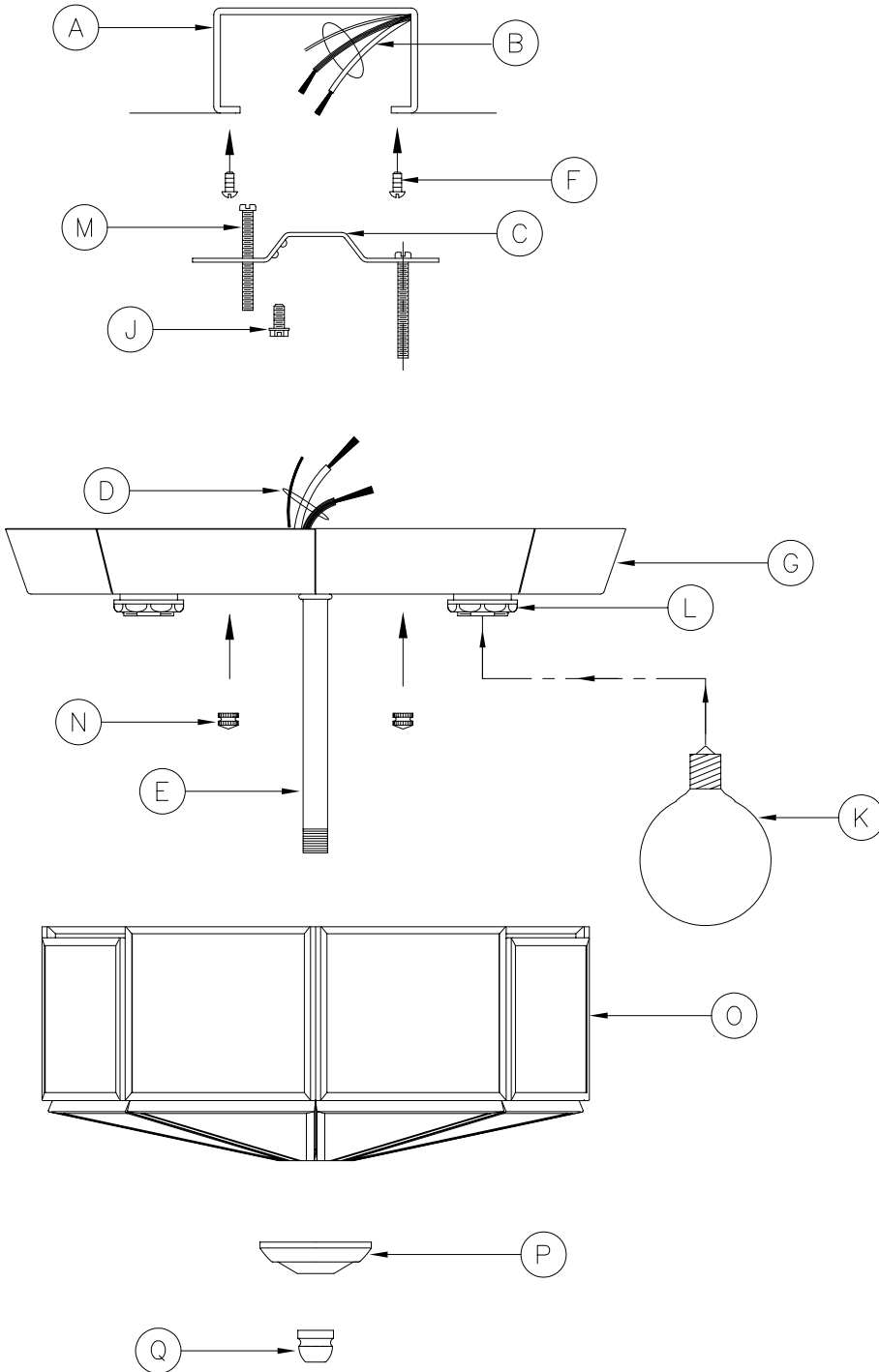
\*\*\*\*\*

**WARNING** - If any Special Control Devices are used with this Fixture, Follow the Instructions Carefully to assure full compliance with N.E.C. requirements. If there are any questions, contact a Qualified Electrical Contractor.

**CAUTION** - All glass is fragile, use care when handling Glass component(s) and or Lamp(s).

**WARNING** - This product contains chemicals known to the State of California to cause cancer, birth defects and /or other reproductive harm. Thoroughly wash hands after installing, handling, cleaning, or otherwise touching this product.

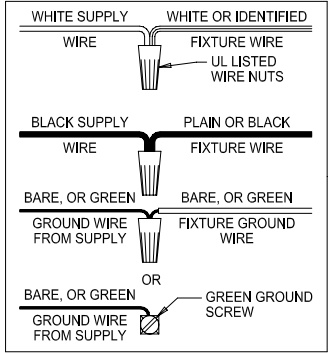
\*\*\*\*\*



**ASSEMBLY STEPS:**  
**PASOS PARA ENSAMBLAR:**  
**ÉTAPES D'ASSEMBLAGE**

1. J,M → C
2. F,C → A
3. D → C, B
4. G → M
5. N → M
6. K → L
7. O → E,G
8. P → E
9. Q → E

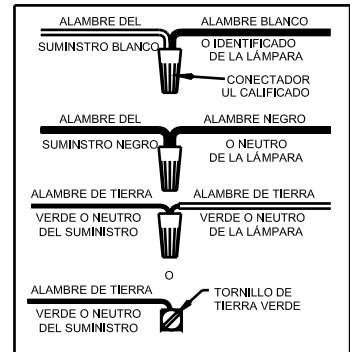
A, B, F, K  
 NOT FURNISHED  
 NO INCLUIDA  
 NON FOURNIE



\*\*\*\*\*

**ADVERTENCIA** - Este producto contiene sustancias químicas que según el Estado de California causa cáncer, defectos de nacimiento y (o) daño al sistema reproductor. Lavarse bien las manos después de instalar, manipular, limpiar o tocar de manera alguna este producto.

\*\*\*\*\*



Control avant de commencer l'installation.

\*\*\*\*\*

**AVERTISSEMENT** - Ce produit contient des composants chimiques qui selon L'état de Californie provoquent un cancer, des infirmités de naissance et (ou) du mal au système reproductif. Il faut laver les mains soigneusement après avoir installé, manipulé, nettoyé, ou autrement touché ce produit.

\*\*\*\*\*

