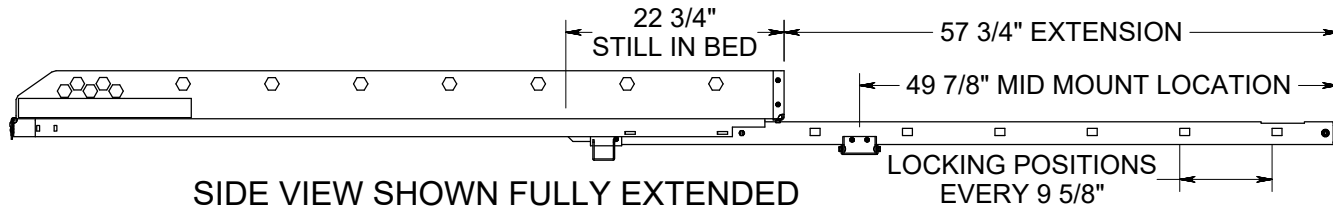
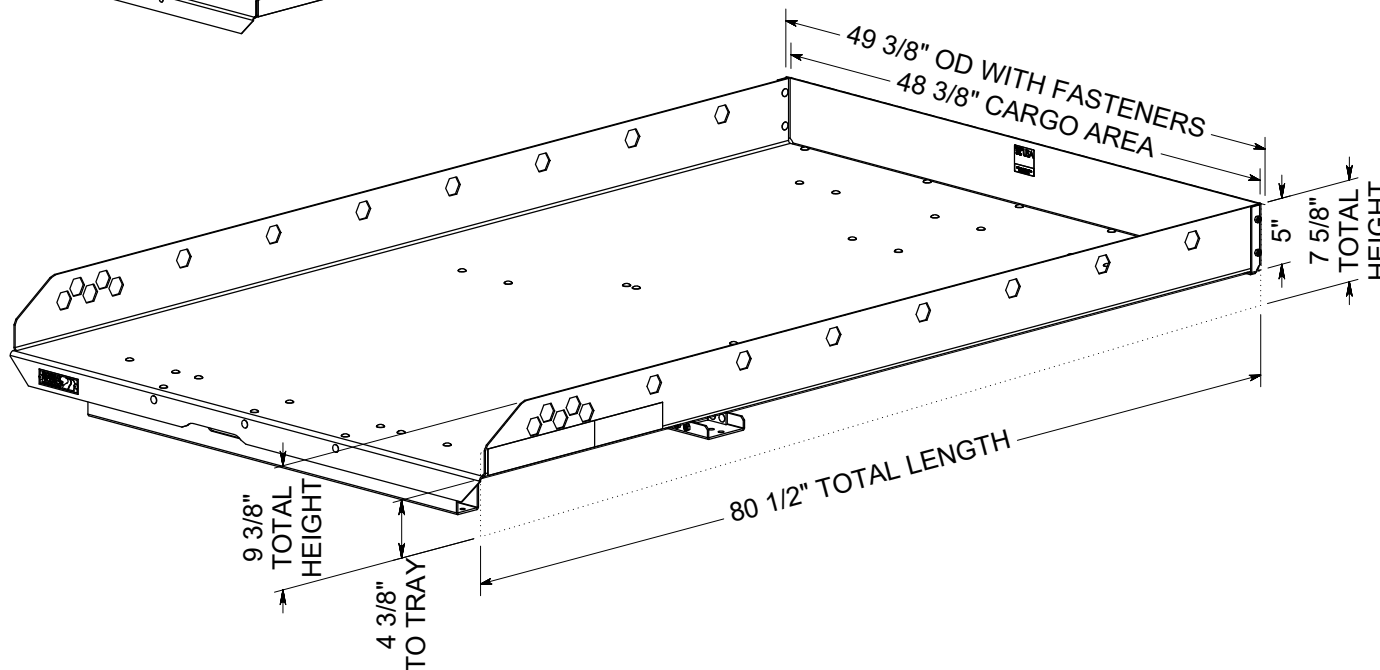
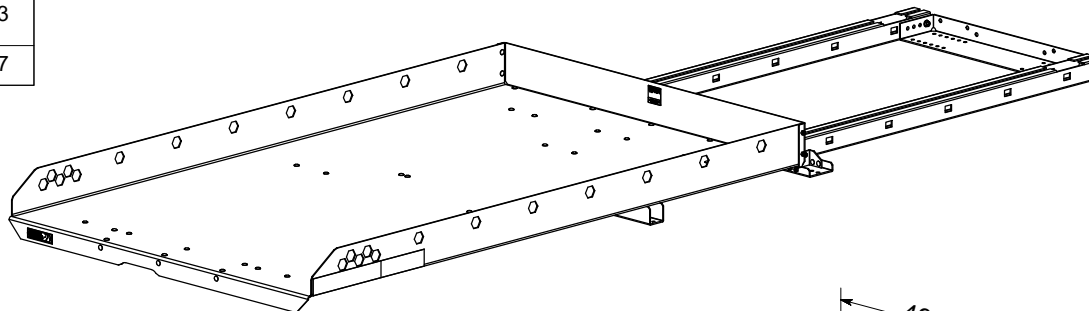


REVISIONS		
REV.	DESCRIPTION	DATE
AC	Removed welding operations	1/25/06
AD	Added 2" to tray	9/16/06
AE	CHanged to .875 bearing	8/21/07
AF	added .500 to front mount	6/15/11
AG	Change to 1.0325 slot, change tray sides, added rear rubber stop	10/8/12
AH	Moved front guide bearing hole back 2"	9/05/13
AI	Moved .265x.500 slot in tray stfnr to 1.125 from 1.0625	10/8/13
AJ	Update to handle under tray	1/10/17



SIDE VIEW SHOWN FULLY EXTENDED



TRUCK SLIDE  
OVERALL DIMENSIONS  
49 3/8" x 9 3/8" x 80 1/2"

PC LX FI

**CUSTOMER:**

APPROVAL SIGNATURE

YOUR PRODUCTION LEAD TIME WILL BEGIN AS SOON AS WE RECEIVE YOUR SIGNATURE APPROVAL ON THE PRINTS WITHOUT ANY REQUESTS FOR CHANGES. THANK YOU.

**CUSTOMER SPECIAL INSTRUCTIONS:**

MATERIAL: <b>AL &amp; 10ga GALV</b>		PROJECT #: <b>491</b>
FINISH: <b>SMOOTH</b>		DRAWN BY: Spencer Adams
REVISION: <b>AJ</b>	APVL BY: EBF	ENG DATE: 02/05/2018
Ov1	SALE BY:	
<b>TOLERANCES:</b> ANGULAR $\pm 2^\circ$ FRACTIONAL $\pm 3/16"$ TWO PLACE DECIMAL $\pm .125$ THREE PLACE DECIMAL $\pm .0625$		

SPECIAL INSTRUCTIONS:

HIGHWAY  
PRODUCTS  
1-800-TOOL BOX  
FAX 1-800-465-9545  
800TOOLBOX.COM

