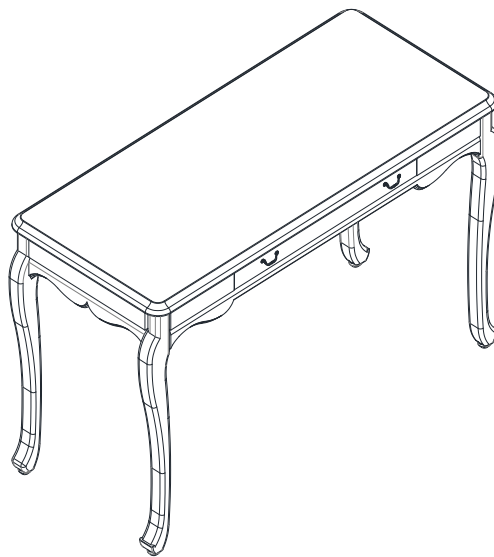


USE AND CARE GUIDE

PROVENCE IVORY WRITING DESK WITH ASH BROWN TOP 54 IN.



Questions, problems, missing parts? Before returning to the store,
call Home Decorators Collection Customer Service.
8 a.m. – 7 p.m., EST, Monday – Friday, 9 a.m. – 6 p.m., EST, Saturday

1-800-986-3460

HOMEDEPOT.COM/HOMEDECORATORS

THANK YOU

We appreciate the trust and confidence you have placed in Home Decorators Collection through the purchase of this writing desk. We strive to continually create quality products designed to enhance your home. Visit us online to see our full line of products available for your home improvement needs. Thank you for choosing Home Decorators Collection!

Table of Contents

Table of Contents.....	2	Tools Required.....	3
Safety Information.....	2	Hardware Included.....	3
Warranty.....	2	Pre-assembly (continued).....	4
3 Year Warranty.....	2	Package Contents.....	4
What is Covered.....	2	Assembly.....	5
What is Not Covered.....	2	Maintenance.....	6
Pre-assembly.....	3	Care and Cleaning.....	6
Planning Assembly.....	3		

Safety Information



DANGER

- Keep small parts away from children during assembly.
- Read and follow instructions carefully.



WARNING

- Read these instructions carefully and keep in a safe place.
- TO GUARANTEE THE SAFE USE OF THIS PRODUCT, FOLLOW THE WARNINGS, GUIDELINES AND RECOMMENDATIONS IN THIS MANUAL.
- Adult assembly required.
- Small parts may present choking hazard prior to assembly.
- Do not place heavy objects on the glass top.
- Some assembly may involve attaching glass or mirrors.
- Be very careful handling the glass or mirrors, as severe injury may result if the glass or mirror breaks.
- Never handle large pieces of glass or mirrors by yourself.



CAUTION

- Do not use power tools to assemble your furniture. Power tools may strip or damage parts/product.
- Do not overtighten connectors (screws, bolts, etc.). Overtightening can lead to product damage.
- Be sure to check all packing materials carefully for small parts that may have come loose inside the carton during shipment. If parts are missing, contact THE HOME DEPOT to obtain any missing parts.
- DO NOT USE SUBSTITUTE PARTS.
- This product should only be used on a flat, level surface.



WARNING

- Unit must be placed on a level surface or leveled with included hardware (when applicable).
- Do not sit or stand on or allow children to climb, sit or stand on the assembled product.
- For safety reasons, it is imperative that this unit be mounted on the wall or floor.
- Do not use without installing the tip restraint.
- Unit can tip over causing severe injury or death.
- Never open more than one drawer at a time.
- Do not exceed the recommended weight limits.
- Evenly distribute the weight on each level and always keep the heavier loads on the bottom.
- Before cutting, drilling or hammering into any wall or floor surface, verify the location of electrical, plumbing and gas lines. Cutting may cause serious injury.

Warranty

3 YEAR WARRANTY

WHAT IS COVERED

We guarantee this product to be free of manufacturing defects to the original purchaser for three years.

WHAT IS NOT COVERED

This warranty does not cover commercial use, acts of nature, and abusive use.

Pre-assembly

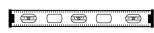
PLANNING ASSEMBLY

This product has been designed for easy assembly and constructed for durability. All parts were checked prior to packaging to ensure quality. Prior to beginning assembly, however, make sure all parts and hardware are included and free of obvious defects. If a part is missing or defective, please contact the store where purchased.

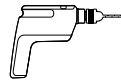
TOOLS REQUIRED



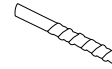
Safety goggles



Level



Drill



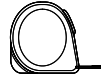
Bit



Pencil



Phillips

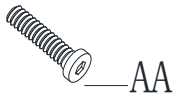


Tape Measure

HARDWARE INCLUDED



NOTE: Hardware not shown to actual size.



—AA



—BB



—CC



—DD



—EE



—FF



—GG



—HH

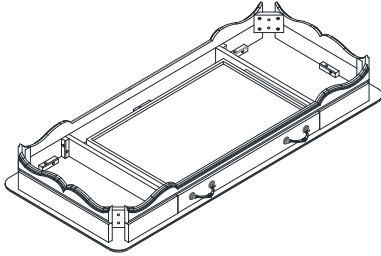


—II

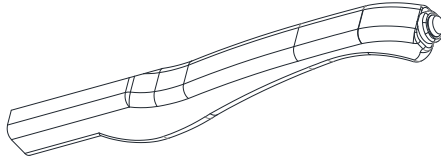
Part	Description	Quantity
AA	Bolt 5/16"×2"	8
BB	Spring Washer	8
CC	Flat Washer	8
DD	Allen Key	1
EE	Expansion Pipe	4
FF	Plastic Bracket	4
GG	Plastic Rope	2
HH	Screws 3.5×38mm	4
II	Screws 3.5×19mm	4

Pre-assembly (continued)

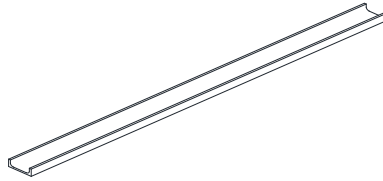
PACKAGE CONTENTS



A



B



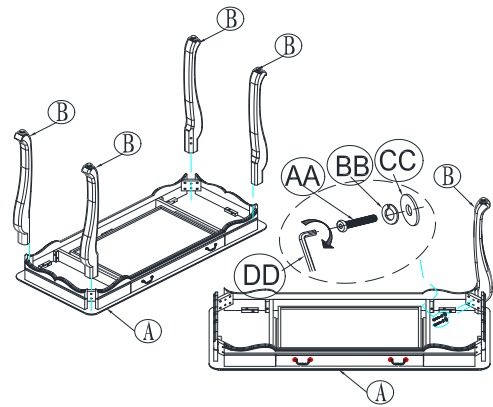
C

Part	Description	Quantity
A	Top Panel	1
B	LEG	4
C	Pencil Box	1

Assembly

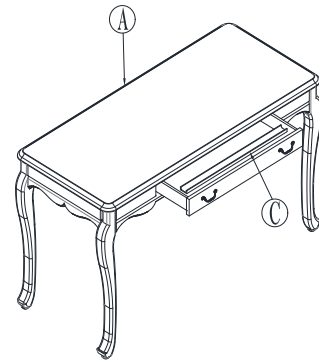
1 Install the leg

- Use long bolts (AA) through spring washers (BB) and flat washers (CC)
- To connect assembled unit to side leg (B).



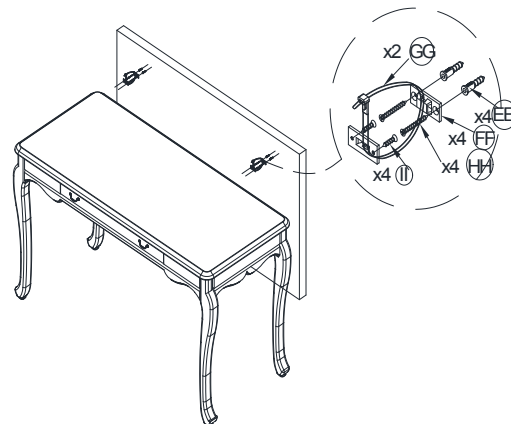
2 Put the pencil box

- Put the pencil box into the drawer.



3 Fix the plastic bracket

- Use 4 pcs screws (HH) to fix plastic bracket (FF) to expansion pipe (EE)
- And secure to desired location on the wall. Use 4pcs screws (II) to fix plastic bracket (FF) to the top panel (A) by using plastic rope (GG).



Maintenance

- In the event that your furniture is stained or otherwise damaged during use, we recommend that you call a professional to repair your furniture.
- Check bolts/screws periodically and tighten them if necessary.

Care and Cleaning

- Use a soft, clean cloth that will not scratch the surface when dusting.
- Using solvents of any kind on your furniture may damage the finish.
- Use of furniture polishes is not necessary.
- Never use water to clean your furniture, as it may cause damage to the finish.
- Liquid spills should be removed immediately. Use a soft and clean cloth to blot the spill gently. Avoid rubbing.
- Use of furniture polishes is not necessary.
- Avoid placing furniture directly under windows.

**HOME
DECORATORS
COLLECTION®**

Questions, problems, missing parts?

Before returning to the store, call Home Decorators Collection Customer Service.

8 a.m. – 7 p.m., EST, Monday – Friday, 9 a.m. – 6 p.m., EST, Saturday

1-800-986-3460

HOMEDEPOT.COM/HOMEDECORATORS

Retain this manual for future use.