

TUB WALL-MOUNTED FAUCET WITH HAND SHOWER

Cat. No.

4022



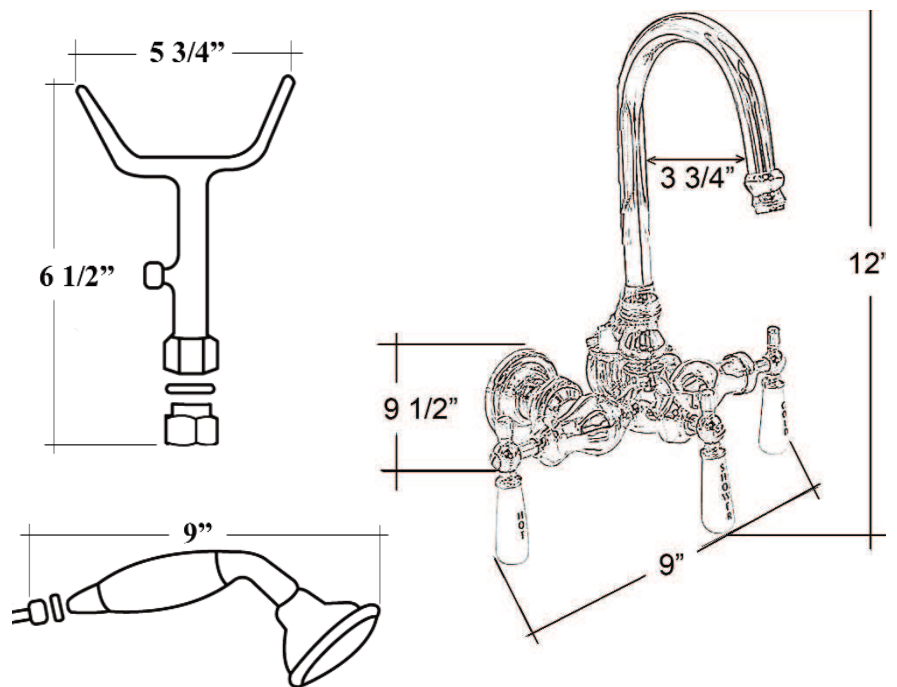
Features:

- ▶ Code gooseneck spout
- ▶ Telephone style handheld shower and cradle
- ▶ 59" hose
- ▶ Backflow preventor in handshower
- ▶ Compression stems - 1/4 turn
- ▶ 3 3/8" centers
- ▶ To Be Used with Double Offset Bath Supplies:
Part #5576
- ▶ Can Be Used with Rigid, Freestanding Bath Supplies:
Part #4502

Finishes:

- BP** Polished Brass
- CP** Polished Chrome
- SN** Brushed Nickel
- PN** Polished Nickel
- ORB** Oil Rubbed Bronze

W: 9"
D: 9 1/2"
H: 12"



Dimensions are nominal and may vary. Dimensions and specifications subject to change without notice.