

# Manual and Operating Instruction

## FOR YOUR SAFETY

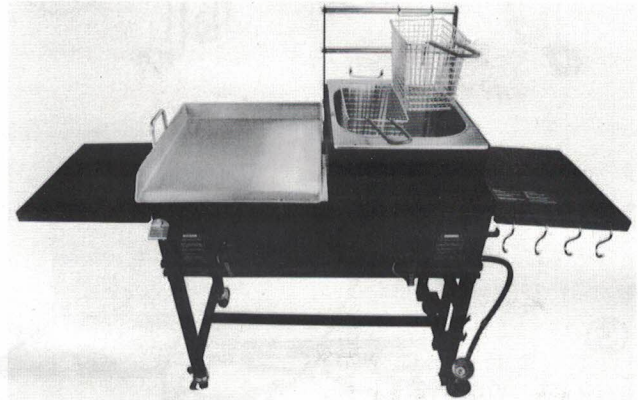
Read all warnings and operating instructions before use and retain for future reference.



### 2-Burner Cast Iron Outdoor Propane Stove With CART

Model: 95534(FH-MP1272 SET)

- 58,000 BTU
- The pot support area is made with Iron that has been finished with a high heat resistant coating. We use an open cruciform shape in order to keep a secure foundation while still allowing the most heat transmission to your cooking surface.
- Temperature Controlling Knobs
- CSA Certified Regulator
- For use with stainless steel griddle or similar products
- Stainless Steel Rack And Hooks
- With Oil Collecting Cup For Griddle
- Comes with drop down side tables to make it more compact.



## ✧ English Instruction

### ① INSTALL PREPARATION

Step 1: Follow "ASSEMBLY INSTRUCTION" to install burner and assemble unit.

Step 2: Place stove on a level and stable surface.

Step 3: Make sure there is propane in the tank and it is turned **OFF**, connect propane tank and stove with regulator and hose.

Step 4: Make sure air damper can move (Picture 1).

### ② GAS LEAK TESTING

Step 1: Slowly open propane tank valve and check for leaks by applying small amount of liquid soap and looking for bubbles. If you smell gas, **TURN OFF** propane valve immediately.

Step 2: Detach and reconnect the regulator on tank and test it again, if leaking continues, please stop using and contact retailer/distributor for help. (Picture 2)

Step 3: If no gas is detected, please follow Part Three OPERATION.

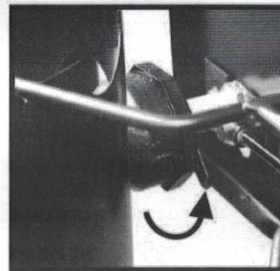
### ③ OPERATION

Step 1: Locked the wheels to prevent it from moving. (Picture 3).

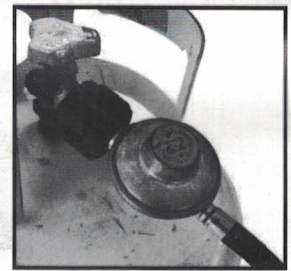
Step 2: Hold a fire lighter near the burner. (Picture 4).

Step 3: Start with the minimum fire and slowly adjust the air damper up and down (Picture 1) until burner has blue flame, some yellow tips on the flame is normal.

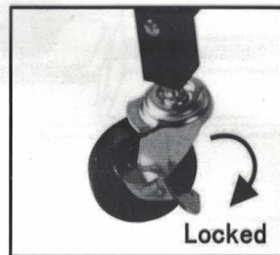
Step 4: Place stainless steel plancha/griddle, comal or caso on top of cooking surface to cook meat/tacos, toast tortillas or to heat and cook a wide variety of your favorite foods.



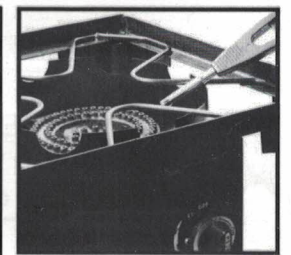
Picture 1



Picture 2

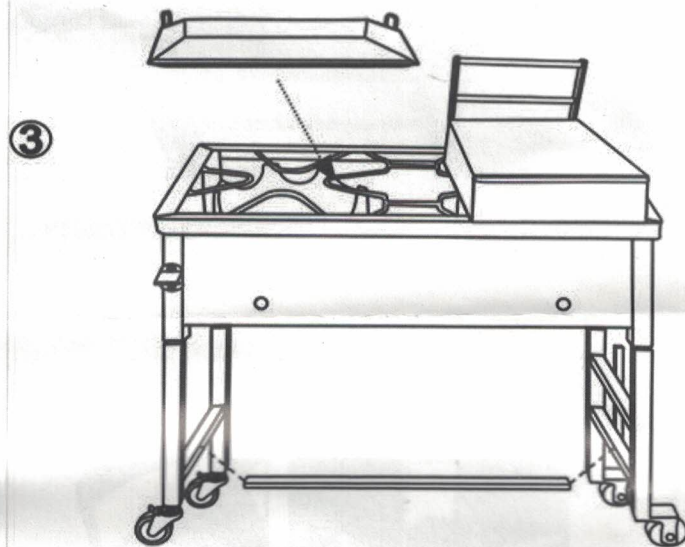
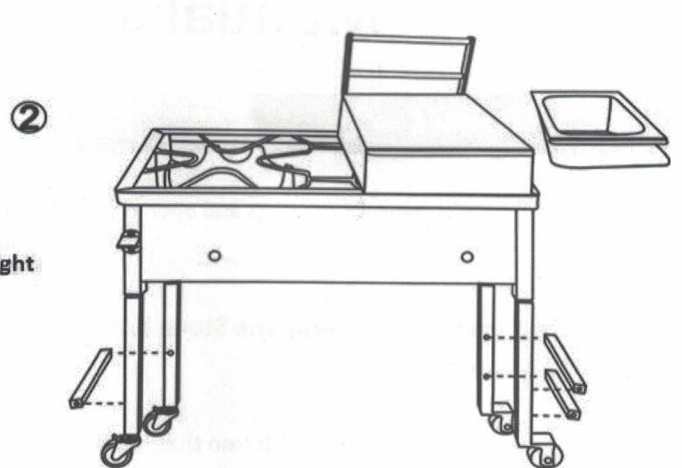
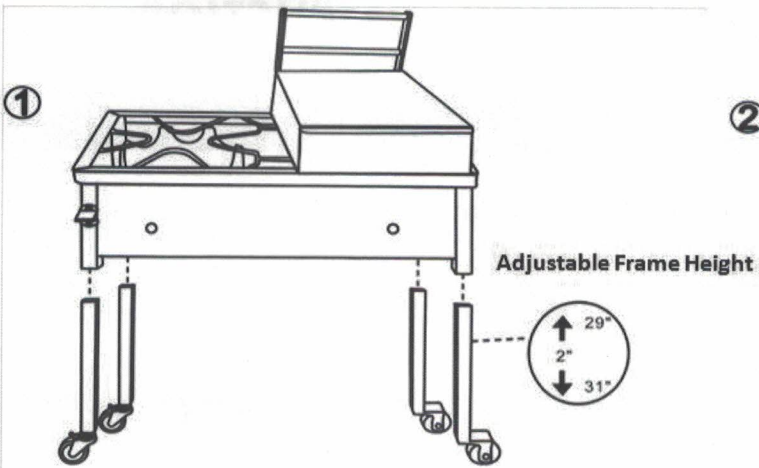


Picture 3

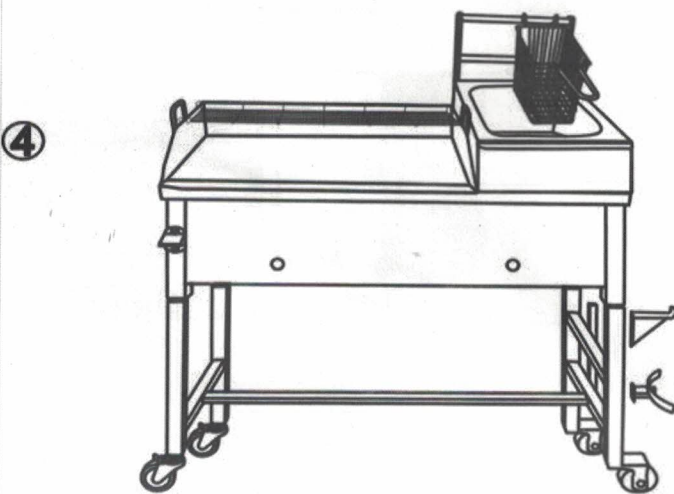


Picture 4

# ASSEMBLY INSTRUCTION



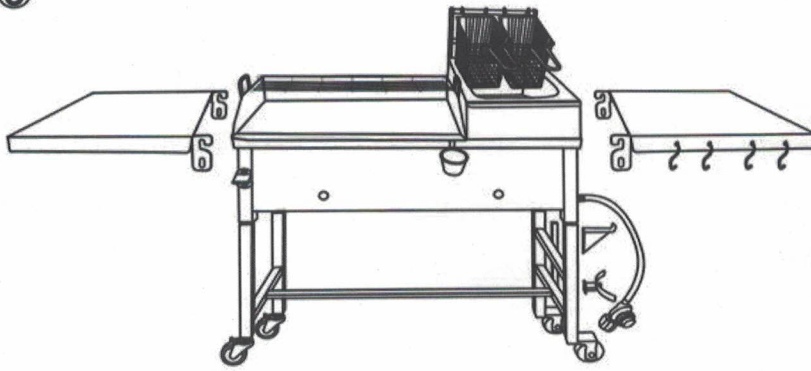
Side View



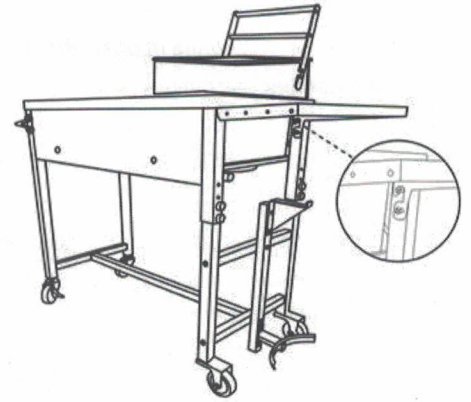
Side View



5

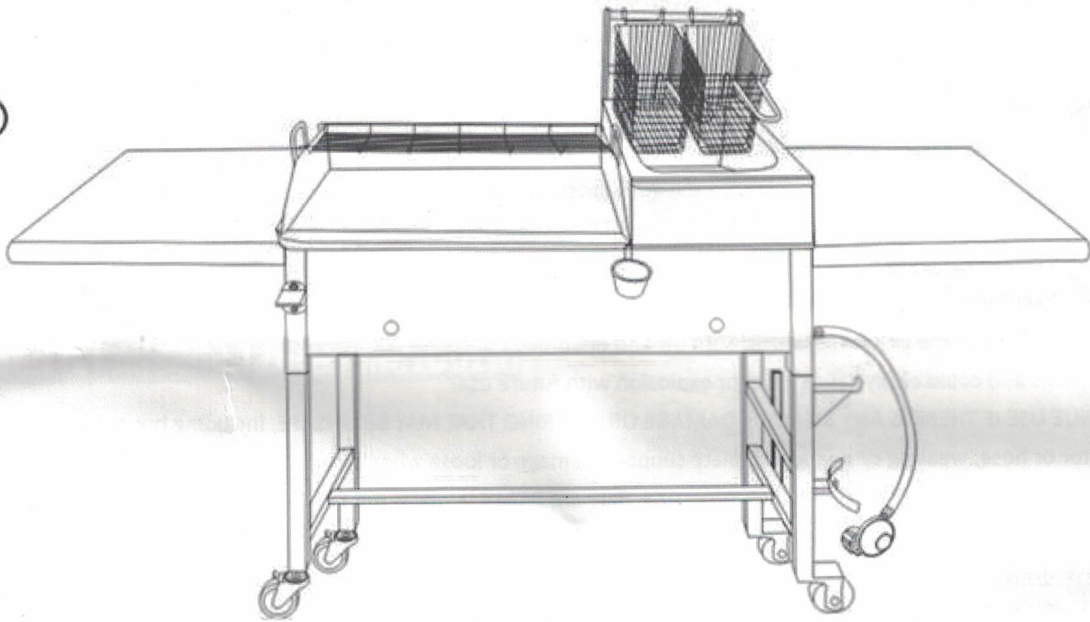


Side View

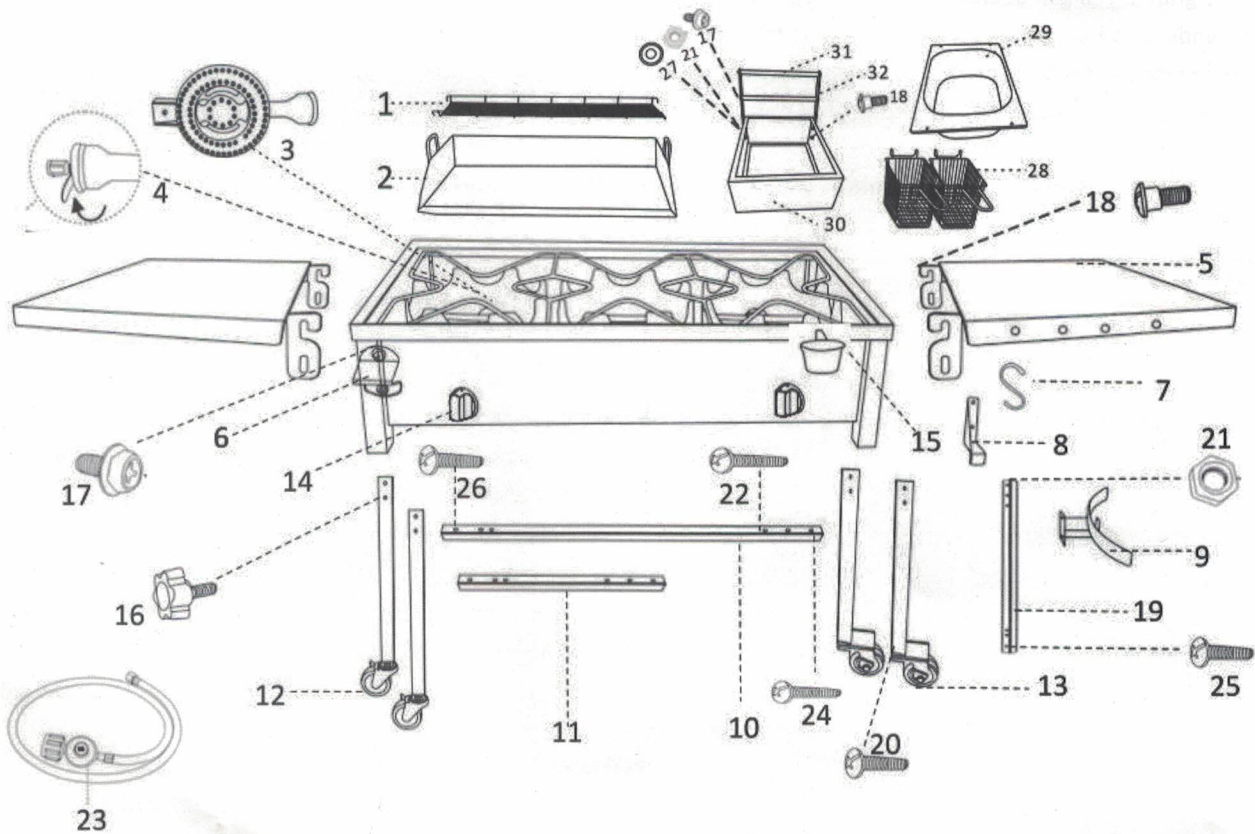


Finish Assembling

6

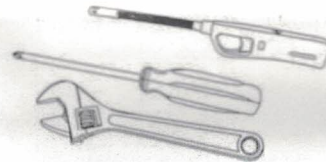


# 95534 (FH-MP1272 SET) PARTS



## Tools Needed for Assembly (NOT INCLUDED)

- ✓ Screwdriver
- ✓ Adjustable Wrench (or 10mm wrench)
- ✓ Ignition lighter



No.	Assembly Name	Product No.	QTY
1	Stainless steel rack	FH-R4045	1
2	Stainless steel griddle	FH-4045H	1
3	Cast iron burner	B71	2
4	Air damper	W7841	2
5	Movable pallet	AC3338	2
6	Bottle opener	D12	1
7	Hook	D13	4
8	Triangle hook for gas tank	D10	1
9	Propane holder	D14	1
10	Leg spacer(71*2.5*2.5cm)	L71	1
11	Leg spacer(32.5*2.5*2.5cm)	L325	3
12	Leg with wheel with lock	W1	2
13	Leg with direction wheel	W2	2
14	Range knob	CK01	2
15	Stainless steel oil cup	D11	1

No.	Assembly Name	Product No.	QTY
16	Screw(6*12mm)	SP612	8
17	Screw(6*16mm)	S616	2
18	Screw(6*16mm)	S6162	12
19	Gas tank stand(46.5*2.5*2.5cm)	L46	1
20	Screw(6*55mm)	S655A	6
21	Nut	SW1	9
22	Screw(6*60mm)	S660	1
23	1 PSI regulator& hose	RG10B	1
24	Screw(6*70mm)	S670	1
25	Screw(6*40mm)	S640	4
26	Screw(6*45mm)	S645	1
27	Ring(6*15mm)	R615	2
28	Stainless steel basket	D15	2
29	Stainless steel tanks	D16	1
30	Square support frame	D17	1
31	Stainless steel pipe	H01	2
32	Flat bar	RB01	2

#### 4 SAFETY TIPS

- ❖ When griddle is not in use, turn off all control knobs and LP cylinder valve.
- ❖ Never move griddle while in operation or still hot.
- ❖ Use long-handled barbecue utensils and oven mitts to avoid burns and splatters.
- ❖ Maximum on side shelf is **10 lbs.**
- ❖ The grease tray must be inserted into griddle and emptied after each use. Do not storage or remove grease tray until tray has completely cooled.
- ❖ Stove, plancha, comal, caso may be wiped down with soap and warm water.
- ❖ Griddle will be slightly deformed during use and will return to normal after natural cooling.



- Not for use in home or any other enclosed area including a garage. Only for open air/space use.
- Never use a stove of any kind to heat your home.
- Keep any spare propane tanks AWAY from this or any other heat source.
- For use with a 20lb Propane Tank only, not for use with natural gas or other gas source. Any alterations may cause severe injury or even death.
- Check with your local fire safety department if you have any questions on safe usage.
- If you ever smell gas immediately shut off gas to the appliance, put out any flame and re test for gas leak per STEP 2 under Instructions.
- Not for use by children, please watch if children are present as the surfaces can become very hot on all sides. DO NOT TOUCH any hot surfaces or where heat may be present.
- Never attempt to move the grill while it is lit. Turn off and disconnect propane prior to moving grill. Failure to do so may cause a leak in the connections and could easily cause a fire or explosion with future use.
- DISCONTINUE USE IF THERE IS ANY SIGNS OF DAMAGE OR WEARING THAT MAY BE UNSAFE, including but not limited to wearing on the regulator or hose, wearing or damage to plate support, damage or loose wheels/base.
- Inspect and test folding tables on the side to make sure they are locked in place and secure prior to putting weight on them.
- Never put more than 10 pounds on the side table. This is not a seat or resting area, never sit on the side tables.
- NEVER Leave the grill unattended while in use.



#### CARBON MONOXIDE HAZARD



**Never use this product in an enclosed space.**

**This appliance can produce carbon monoxide which has no odor. It may seriously danger you or others, including property.**