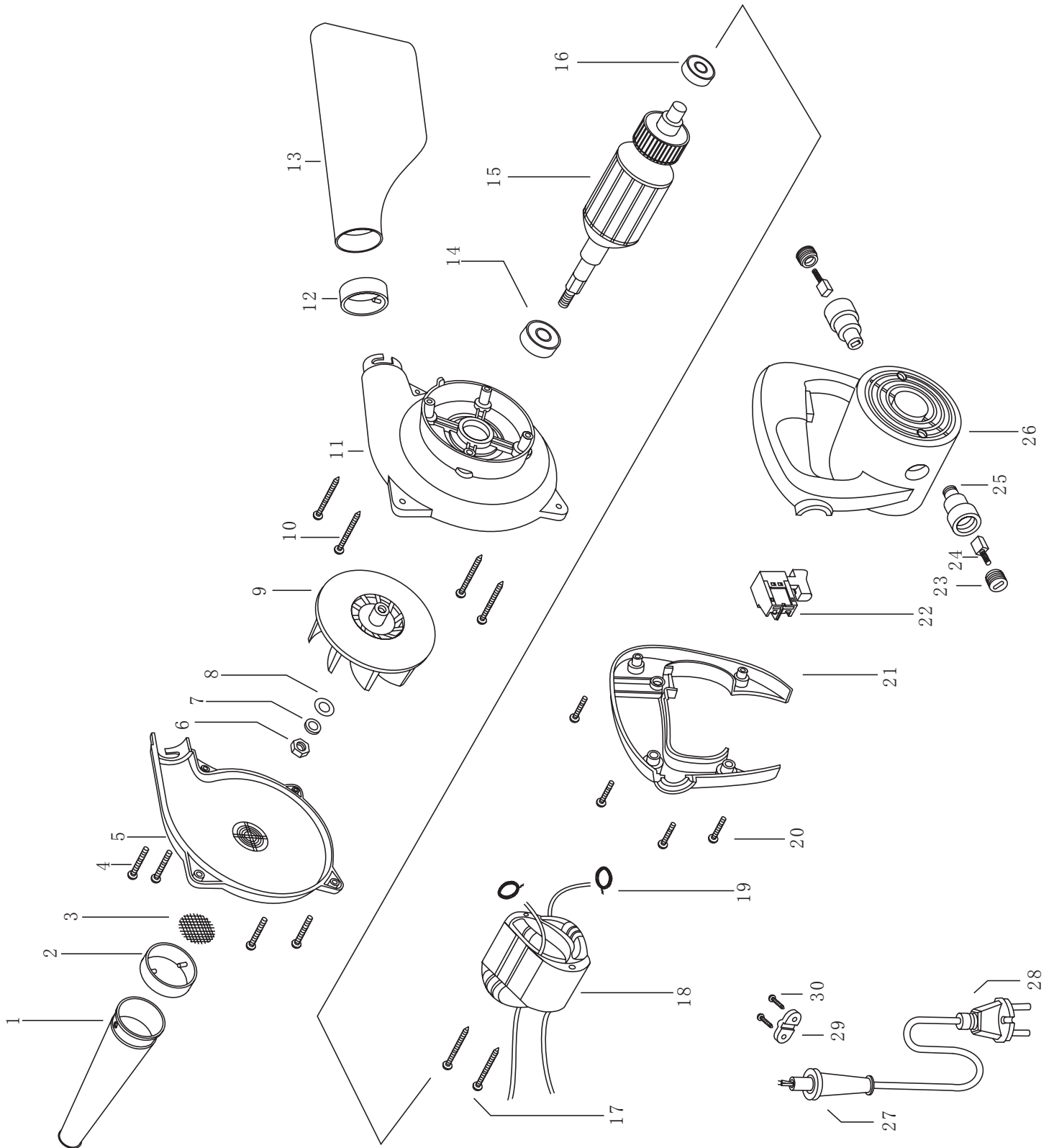


PS07424

Electric Blower

Parts List & Diagram



吹风机零部件清单

Part	Description	Qty
1	Rubber tube	1
2	Ferrule	1
3	Steel wire mesh	1
4	Screw, (4*18)	4
5	Upper plate	1
6	Nut, M6	1
7	Washer, Spring, $\Phi 6$	1
8	Flat gasket, $\Phi 6$	1
9	Fan blade	1
10	Screw, Tap, (4*35)	4
11	Nether plate	1
12	Ferrule	1
13	Cloth bag	1
14	Bearing, #18	1
15	Armature	1
16	Bearing, #18	1
17	Screw, Tap, (4*40)	2
18	Stator	1
19	Spring, #125	2
20	Screw, (4*20)	4
21	Handle	1
22	Switch	1
23	Cover, Brush Holder	2
24	Brush Carbon, #125	2
25	Holder Brush, #125	2
26	Housing, Motor	1
27	Sheath, 115B	1
28	Cord, Power	1
29	Press Cable Board	1
30	Screw, Tap, (4*14)	2