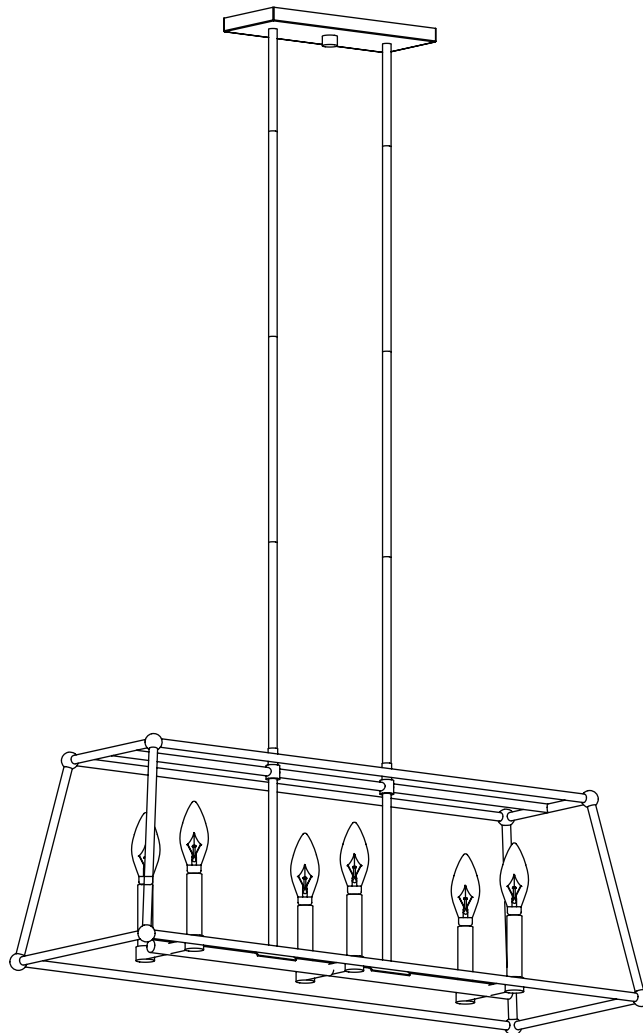




Model # DS18969

USE AND CARE GUIDE

6-LIGHT LINEAR PENDANT



Question or problems? Before returning to the store,
call Design Solutions International Customer Service
Mon-Fri 9:30 am to 3:00 pm EST

1-800-388-6141 ext. 216

For customer service support and the fastest response, please email us at
CustomerSupport@DSLighting.com

Table of Contents

Table of Contents	2	Hardware Included	3
Safety Information	2	Package Contents	4
Warranty	2	Installation	5
Three (3) Year Warranty	2	Care and Cleaning	7
What is Covered	2	Troubleshooting	7
What is Not Covered	2		
Pre-Installation	3		
Planning Installation	3		
Tools Required	3		

Safety Information

READ AND SAVE THESE INSTRUCTIONS.

- For your protection and safety, carefully read and understand the information provided in this manual completely before attempting to assemble, install, or operate this product. Failure to do so could lead to electrical shock, fire, or other injuries that could be hazardous or even fatal.
- Before touching any wire, use a voltage tester to make sure it is not live.
- When replacing fuses, turn off the main power first. Make sure your hands and feet are dry, and place one hand behind your back to prevent electricity from making a complete circuit through your chest. Touch the plug fuse only by its insulated rim. Remove cartridge fuses with a fuse puller.
- Use tools with insulated handles and ladders made of wood or fiberglass.
- To protect children, place a safety cover over any unused outlets.



DANGER: Before starting installation of this fixture or removal of a previous fixture, disconnect the power by turning off the circuit breaker, removing the fuse at the fuse box, or tripping the breaker that controls that circuit. Tape a sign to the panel warning others to leave the circuit alone while you work.



CAUTION: CONSULT A QUALIFIED ELECTRICIAN IF YOU HAVE ANY ELECTRICAL QUESTIONS. If you have any non-electrical questions about this fixture, please call our Customer Service Team at 1-800-388-6141 ext. 216. Please reference your model (DS18969) or UPC (802513189698).

Warranty

THREE (3) YEAR WARRANTY

WHAT IS COVERED

The manufacturer warrants this fixture to be free from defects in materials and workmanship for a period of three (3) years from date of purchase. This warranty applies only to the original consumer purchaser and only to products used in normal use and service. If this product is found to be defective, the manufacturer's only obligation, and your exclusive remedy, is the repair or replacement of the product at the manufacturer's discretion, provided that the product has not been damaged through misuse, abuse, accident, modifications, alteration, neglect, or mishandling. This warranty shall not apply to any product that is found to have been improperly installed, set-up, or used in any way not in accordance with the instructions supplied with the product. This warranty shall not apply to a failure of the product as a result of an accident, misuse, abuse, negligence, alteration, faulty installation, or any other failure not relating to faulty material or workmanship. This warranty shall not apply to the finish on any portion of the product, such as surface and/or weathering, as this is considered normal wear and tear.

WHAT IS NOT COVERED

The manufacturer does not warrant and specifically disclaims any warranty, whether expressed or implied, of fitness for a particular purpose, other than the warranty contained herein. The manufacturer specifically disclaims any liability and shall not be liable for any consequential or incidental loss or damage, including but not limited to any labor/expense costs involved in the replacement or repair of said product.

Contact the Customer Service Team at 1-800-388-6141 ext. 216 Eastern Time, Mon-Fri 9:30 am to 3:00 pm EST. For customer service support and the fastest response, please email us at CustomerSupport@DSILighting.com.

Pre-Installation

PLANNING INSTALLATION

Read all instructions before installing.

To avoid damaging this product, place it on a soft, non-abrasive surface, such as carpet or cardboard.

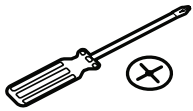


IMPORTANT: Inspect the wire insulation for any cuts, abrasions, or exposed copper that may have occurred during shipping. If there is a defect in the wire, do not attempt installation. Please call the Customer Service Team at 1-800-388-6141 ext. 216. For customer service and the fastest response, please email us at CustomerSupport@DSILighting.com.



NOTE: This product requires six 60W maximum candelabra base (E12) type "B" or 9W maximum candelabra base (E12) self-ballasted LED bulbs (sold separately).

TOOLS REQUIRED (NOT INCLUDED)



Phillips
Screwdriver



Wire
Stripper



Pliers



Safety
Goggles

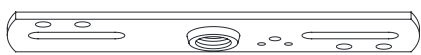


Electrical
Tape

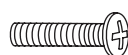
HARDWARE INCLUDED



NOTE: Hardware not shown to actual size.



AA



BB



CC



DD



EE



FF



GG



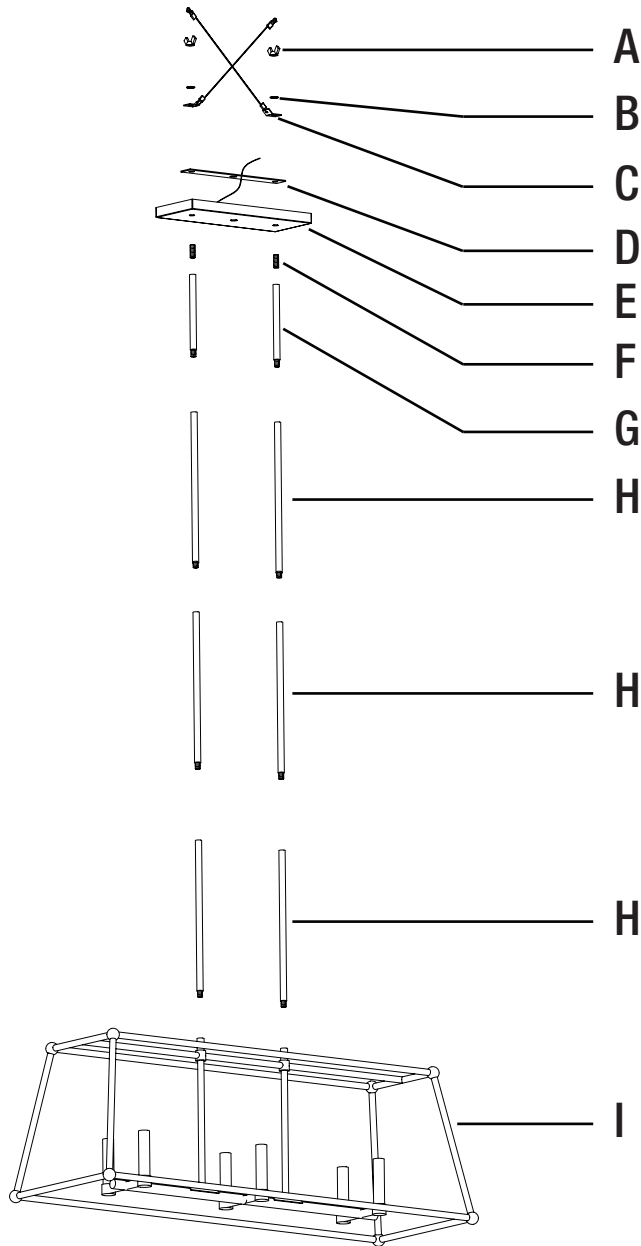
HH

Part	Description	Quantity
AA	Mounting strip	1
BB	Outlet box screw	2
CC	Threaded tube (G-1/2")	1
DD	Hex nut	2
EE	Lock washer	1

Part	Description	Quantity
FF	Green ground screw (Pre-assembled to mounting strip (AA))	1
GG	Wire connector	3
HH	Finial	1

Pre-Installation (continued)

PACKAGE CONTENTS



Part	Description	Quantity
A	Butterfly nut (Pre-assembled to the threaded tube (F))	2
B	Lock washer (Pre-assembled to the threaded tube (F))	2
C	Safety cable	2
D	Metal plate	1

Part	Description	Quantity
E	Canopy	1
F	Threaded tube (G-3/8")	2
G	6" tube	2
H	12" tube	6
I	Fixture body	1

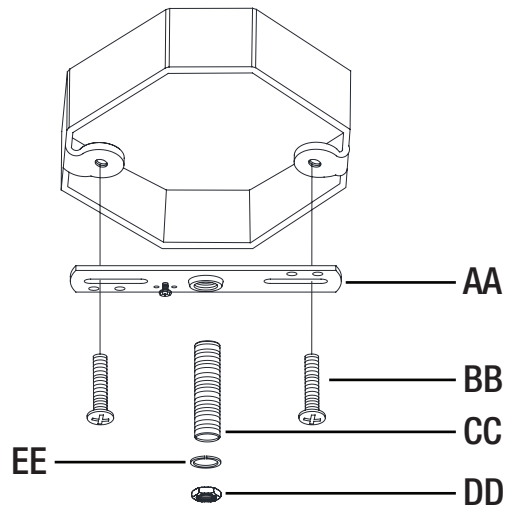
Installation

1 Preparing the mounting strip

- Fasten the mounting strip (AA) onto the outlet box using two outlet box screws (BB).
- Screw the threaded tube (G-1/2") (CC) into the mounting strip (AA), and secure it using the lock washer (EE) and hex nut (DD).

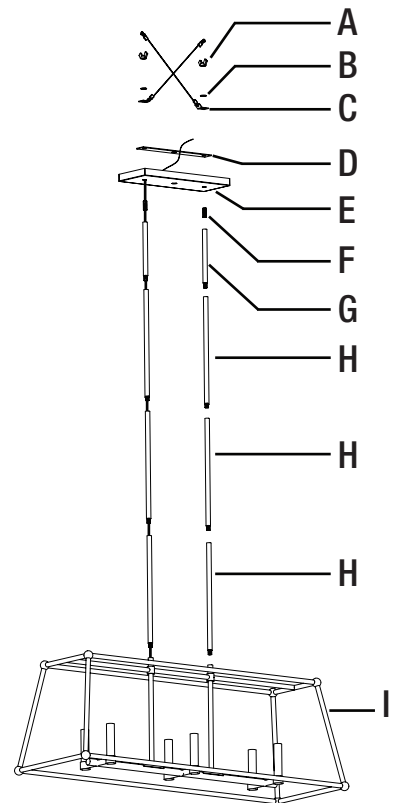
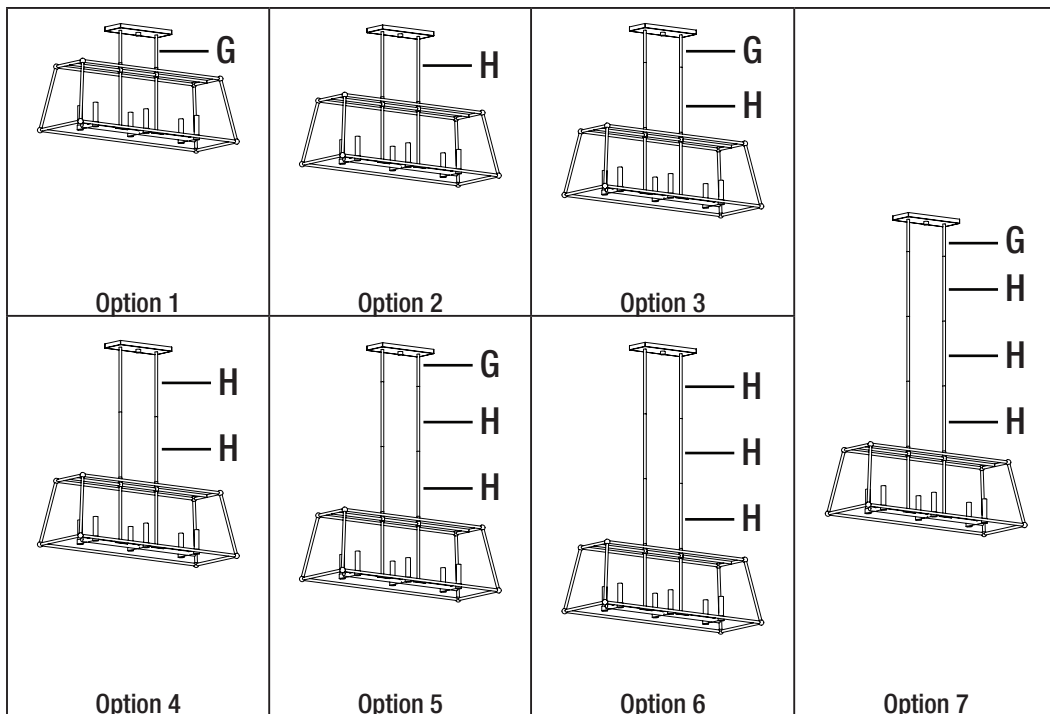


NOTE: The threaded tube (G-1/2") (CC) should extend long enough to protrude through the canopy (E) when it is mounted. (Adjust as needed.)



2 Attaching the canopy and the tubes to the fixture body

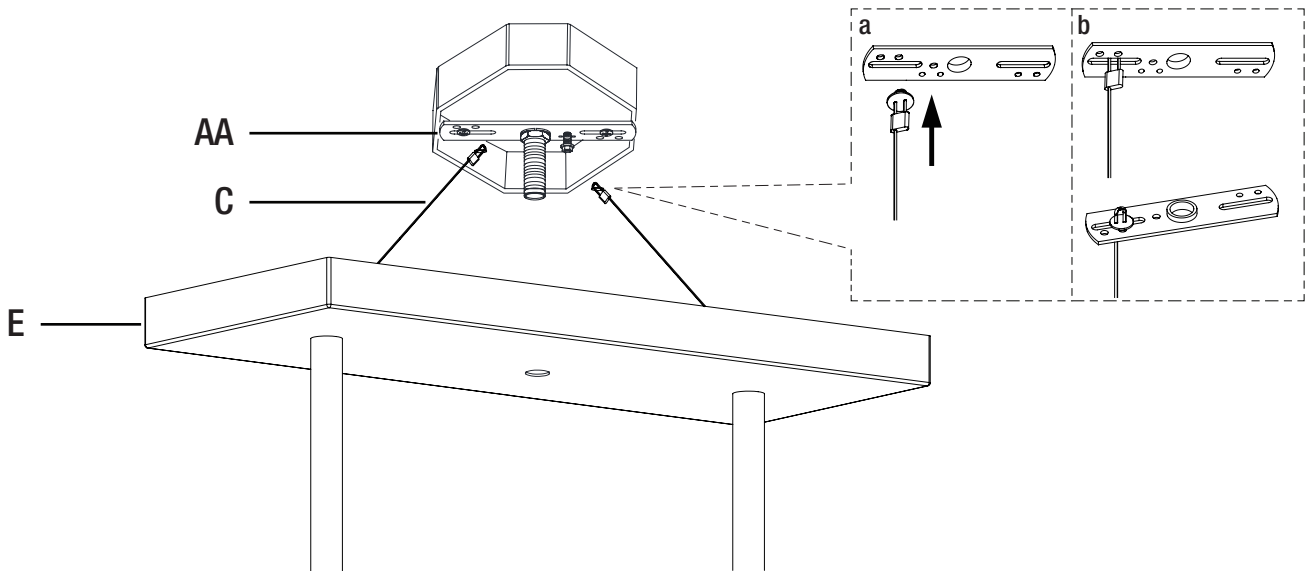
- Guide the fixture wires through each tube as shown, and then tighten the tubes until secured as shown.
- Unscrew the butterfly nuts (A), lock washer (B) and safety cable (C) from the threaded tube (G-3/8") (F).
- Guide the fixture wires through the threaded tube (G-3/8") (F), the canopy (E), the metal plate (D), the safety (C), the lock washer (B) and the butterfly nut (A). Screw the threaded tube (F) into the top of the tube (G), and then place the canopy (E) on the top of the threaded tube, secure with the metal plate (D), the safety cable (C), the lock washers (B) and the butterfly nuts (A).
- There are seven height options for you to choose from:



Installation (continued)

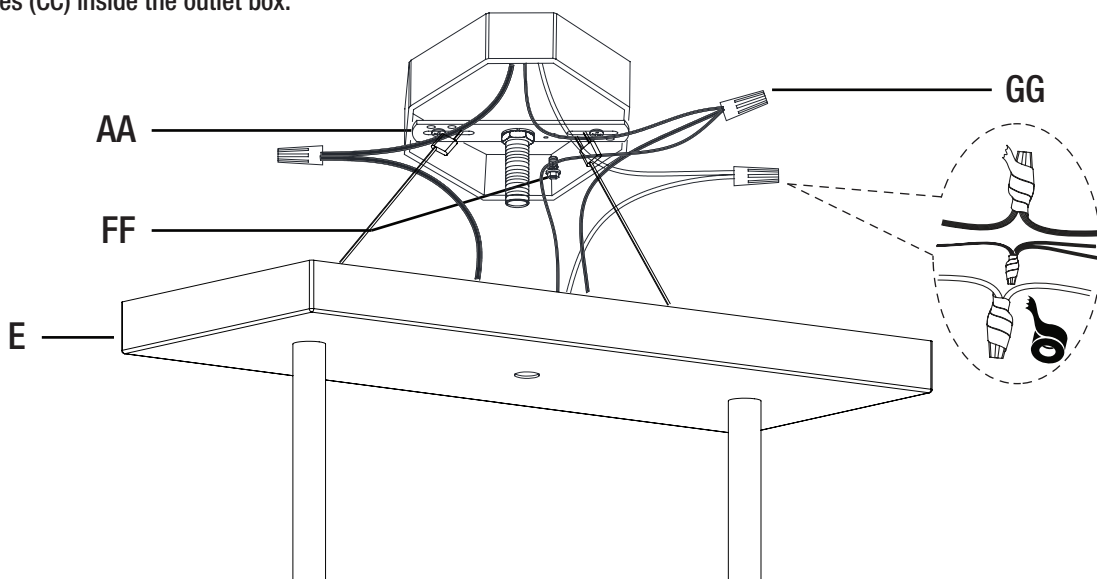
3 Hanging the fixture body to the mounting strip

- Insert the washer of the end of the safety cables (C) into the long hole of the mounting strip (AA). Make sure the washer of the end of the safety cables (C) are completely inside the mounting strip (AA) as shown in the diagram.
- Slowly release the fixture body to make sure it is supported by the safety cables (C).



4 Making the electrical connections

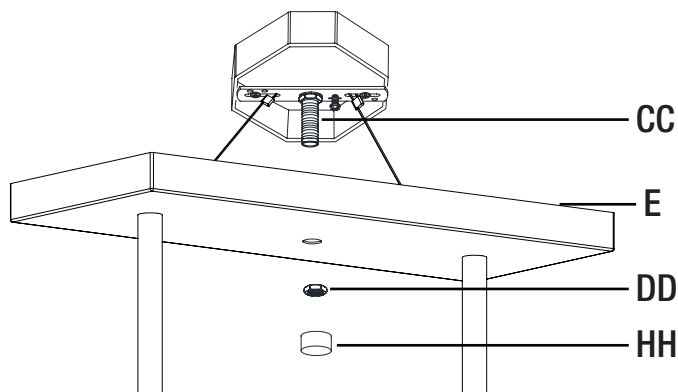
- Strip 3/4 in. of insulation from the wire ends.
- Connect the black wire from the fixture to the black wire from the outlet box, then connect the white wire from the fixture to the white wire from the outlet box.
- Connect the bare copper ground wire from the canopy (E) to the bare copper ground wire from the fixture and the ground wire from the outlet box. The bare copper ground wire from the canopy must loop one turn under the head of the green ground screw (FF) on the mounting strip (AA) before it is connected to the ground conductor of the supply circuit.
- Cover the wires with wire connectors (GG). Tape the wire connectors (GG) and wires together, and carefully position all wires and safety cables (CC) inside the outlet box.



Installation (continued)

5 Assembling the canopy to the outlet box

- Place the canopy (E) over the outlet box, let the threaded tube (CC) come through the hole of the canopy (E), then tighten the hex nut (DD) and finial (HH) to the protruding threaded tube (G-1/2") (CC) on mounting strip (AA) until the canopy (E) is held firmly against the ceiling.

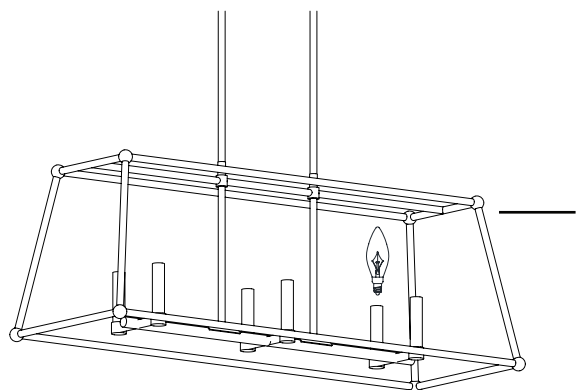


6 Installing the light bulbs

- Install the light bulbs (not included) into the sockets. Use six 60-watt candelabra base (E12) type "B" bulbs (recommended).



NOTE: You can also use six 9W maximum candelabra base (E12) self-ballasted LED bulbs (sold separately). Do not exceed the recommended wattage.



Care and Cleaning

- Do not use any cleaners with chemicals, solvents, or harsh abrasives. Use only a dry, soft cloth to dust or wipe carefully.
- To clean the fixture, disconnect power by turning off the circuit breaker or by removing the fuse at the fuse box. Use a dry or slightly dampened, clean cloth to wipe the exterior surface of the fixture.

Troubleshooting

Problem	Possible Cause	Solution
The lights will not turn on.	The bulb is burned out.	Replace the light bulb.
	The power is off.	Ensure the power supply is turned on.
	There is a faulty switch.	Test or replace the switch.
	There is a faulty wire connection.	Check the wiring.
The fuse blows or the circuit breaker trips when the light is turned on.	There are crossed wires or the power wire is grounding out.	Discontinue use of the lamp. Check the wire connections. Contact a qualified electrician or call the Customer Service Team at 1-800-388-6141 ext. 216. For customer service and the fastest response, please email us at CustomerSupport@DSILighting.com .



Questions or problems? Before returning to the store,
call Design Solutions International Customer Service
Mon-Fri 9:30 am to 3:00 pm EST

1-800-388-6141 ext. 216

For customer service support and the fastest response, please email us at

CustomerSupport@DSLighting.com

Retain this manual for future use.