

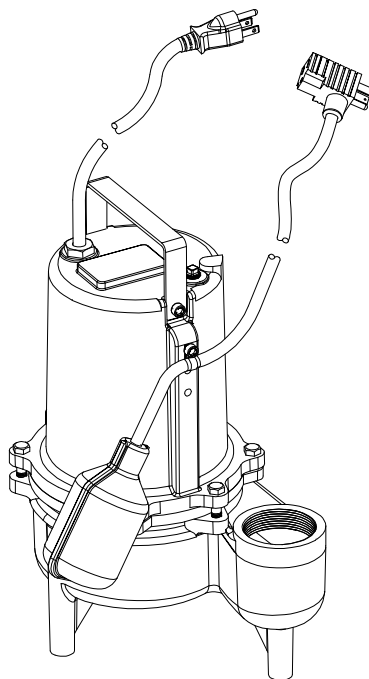
**EVERBILT**

TM

Item # 1005 057 562  
Model #ESE60W-HD

# USE AND CARE GUIDE

## SUBMERSIBLE SEWAGE PUMP



Questions, problems, missing parts? Before returning to the store,  
call Everbilt Customer Service  
8 a.m. – 7 p.m., EST, Monday-Friday, 9 a.m. – 6 p.m., EST, Saturday

**1-844-883-1872**

**HOMEDEPOT.COM**

---

### **THANK YOU**

*We appreciate the trust and confidence you have placed in Everbilt through the purchase of this submersible sewage pump. We strive to continually create quality products designed to enhance your home. Visit us online to see our full line of products available for your home improvement needs. Thank you for choosing Everbilt!*

# Table of Contents

Table of Contents.....2  
Safety Information.....2  
    Precautions .....2  
    Limitations .....2  
    Electrical Safety .....3  
    Overload Protection .....3  
Warranty.....3  
    Additional Limitations .....4  
    Notice to Consumer .....4

Pre-Installation..... 4  
    Installation Requirements .....4  
    Performance Chart.....5  
    Materials Required (Not Included) .....5  
Installation ..... 6  
Operation ..... 7  
Care and Cleaning ..... 8  
Troubleshooting ..... 9  
Service Parts ..... 10


# Safety Information

## PRECAUTIONS

1. Keep this instruction manual in a safe place for future reference.
2. Do not cut off the ground pin or use an adapter fitting.
3. Do not use an extension cord.
4. The pump power cord should be connected to a separately fused, grounded line with a minimum capacity of 20 A. It can be connected to a non-fuse breaker at the recommended amperes.
5. Installation and electrical wiring must adhere to state/provincial and local codes and must be completed before priming the pump. Check appropriate community agencies, or contact local electrical and pump professionals.
6. The voltage of the power supply must match the voltage of the pump.
7. Place pump on dedicated circuits to avoid low voltage.
8. Plastic PVC pipe can be installed in the outlet piping. A drain hose, galvanized steel or copper pipe may be used if desired. All piping must be clean and free of all foreign matter to prevent clogging.
9. The pump will be inadequate if suspension liquids contain solid particles larger than 2 in. (5.1 cm).


## LIMITATIONS


This pump was designed to operate in pump basins of at least 30 in. depth.


 **DANGER:** Keep pump equipment out of the reach of children! Failure to follow the directions given could cause serious risk to individuals or objects.

 **WARNING:** Warnings indicate to the operator that the failure to follow an instruction may damage the pump and/or the system.

 **WARNING:** Before installing or servicing this pump, be certain the power source is disconnected.

 **WARNING:** A permanent ground connection from the pump to the grounding bar at the service panel is mandatory. These pumps come with a grounding conductor and a grounding type attachment plug. Do not connect the pump to a power supply until permanently grounded. For maximum safety, connect the pump to a circuit equipped with a fault interrupter device when positioning the pump's grounding wire.

 **WARNING:** The sewage basin must be vented in accordance with local plumbing codes. These pumps are not designed for and CANNOT be installed in locations classified as hazardous.

 **WARNING:** The following may cause severe damage to the pump and will void the warranty:

- (a) Using an extension cord
- (b) Cutting off the ground pin or using an adapter fitting
- (c) Working on pump or switch while plugged in
- (d) Removing motor housing, unscrewing impeller, or otherwise removing impeller seal
- (e) Running the pump continuously
- (f) Pumping chemicals or corrosive liquids
- (g) Pumping gasoline or other flammable liquids

# Safety Information (continued)



**CAUTION:** Call an electrician when in doubt. The pump should be connected to a separate 20 A circuit breaker or 20 A fuse block. Plugging into existing outlets may cause low voltage at the motor. This could cause blown fuses, tripping of motor overload or a burned out motor.



**WARNING:** If the pump is damaged, have it inspected by an authorized service center.



**WARNING:** Make sure that electrical connections are protected from flooding. Protect the plug and the power cable from heat or sharp edges.



**WARNING:** The power cable must be replaced by qualified personnel only. Grounding: The plug of the power cable has a double grounding contact, so that grounding can be achieved by simply inserting the plug.

## ELECTRICAL SAFETY



**WARNING:** Verify that the voltage and frequency of the pump shown on the nameplate corresponds to those available on the mains. The installer must make sure that the electrical system is grounded in accordance with code.



**WARNING:** For outdoor use it is necessary to use cable with a length of at least 10 ft. (3 m). The plug and connection should be protected from water splashes, and should never be used with an extension cord. Before using the pump, always inspect it visually (especially power cable and plug).



**WARNING:** Do not use the pump if it is damaged.

## OVERLOAD PROTECTION

This pump series has a built in thermal protection switch, it will protect motor from burning out due to overheating/overloading. When motor cools down, overload protector will automatically reset and start motor.

If overload trips frequently, check for cause. It could be a stuck impeller, wrong/low voltage, or electrical failure in motor. If an electrical failure in the motor is suspected, have it serviced by a competent repairman.

## Warranty

This product is guaranteed for a period of three years from the date of original retail purchase against defects in materials and workmanship.

DO NOT return this product (if it has ever been installed) to your local Home Depot store. Sewage pumps that have seen service and have been removed carry a contamination hazard with them. If your sewage pump has failed:

- Wear rubber gloves when handling the pump
- Disconnect pump from power source and follow all appropriate safety precautions

Dispose of the pump according to local disposal ordinances.

Subject to the conditions and limitations described below, this product will be replaced with the same model or one of equal value or specifications if the pump's cord end with cord tag and proof of purchase are returned to the retail store within the stated warranty period.

These warranties are subject to the following conditions and limitations:

- a) a proof of purchase receipt verifying the purchase location and purchase data must be provided;
- b) this warranty will not apply to any product or part thereof which is worn or broken or which has become inoperative due to abuse, misuse, accidental damage, foreign materials in the system, operating at pressures in excess of recommended maximums, neglect or lack of proper installation, operation or maintenance (as outlined in the applicable owner's manual or operating instructions) or which is being used for industrial, professional, commercial or rental purposes;
- c) this warranty will not apply to normal wear and tear or to expendable parts or accessories that may be supplied with the product which are expected to become inoperative or unusable after a reasonable period of use;
- d) this warranty will not apply to routine maintenance and consumable items;
- e) this warranty will not apply where damage is caused by repairs made or attempted by others (i.e. persons not authorized by the manufacturer);
- f) this warranty will not apply to any product that was sold to the original purchaser as a reconditioned or refurbished product (unless otherwise specified in writing);
- g) this warranty will not apply to any product or part thereof if any part from another manufacturer is installed therein or any repairs or alterations have been made or attempted by unauthorized persons;

## Warranty (continued)

h) this warranty will not apply to normal deterioration of the exterior finish, such as, but not limited to, scratches, dents, paint chips, or to any corrosion or discoloring by heat, abrasive and chemical cleaners; and

i) this warranty will not apply to component parts sold by and identified as the product of another company, which shall be covered under the product manufacturer's warranty, if any.

### ADDITIONAL LIMITATIONS

This warranty applies only to the original purchaser and may not be transferred. Neither the retailer nor the manufacturer shall be liable for any other expense, loss or damage, including, without limitation, any indirect, incidental, consequential or exemplary damages arising in connection with the sale, use or inability to use this product.

### NOTICE TO CONSUMER

This warranty gives you specific legal rights, and you may have other rights, which may vary from state to state. The provisions contained in this warranty are not intended to limit, modify, take away from, disclaim or exclude any statutory warranties set forth in any applicable provincial or federal legislation.

Contact the Customer Service Team at 1-844-883-1872 or visit [www.HomeDepot.com](http://www.HomeDepot.com).

## Pre-Installation

### INSTALLATION REQUIREMENTS

This pump is provided with an on/off float switch for automatic operation. Refer to the Installation instructions included with switches and controllers for installation.

Care should be taken to prevent the pump from running in a dry sump.

The pump must be installed in a suitable gas-tight basin which is a minimum of 18 in. in diameter and a minimum of 30 in. deep and vented in accordance with local plumbing codes.

The pump must be placed on a hard level surface. Never place the pump directly on clay, earth or gravel surfaces.

The pump can be installed with ABS, PVC, polyethylene or galvanized steel pipe. Proper adapters are required to connect plastic pipe to the pump.

Always install a union in the discharge line, just above the sump pit, to allow for easy removal of the pump for cleaning or repair.

A check valve must be used in the discharge line to prevent back flow of liquid into the basin. The check valve should be a free flow valve that will easily pass solids.



**CAUTION:** Install the check valve per the manufacturer's recommendation.

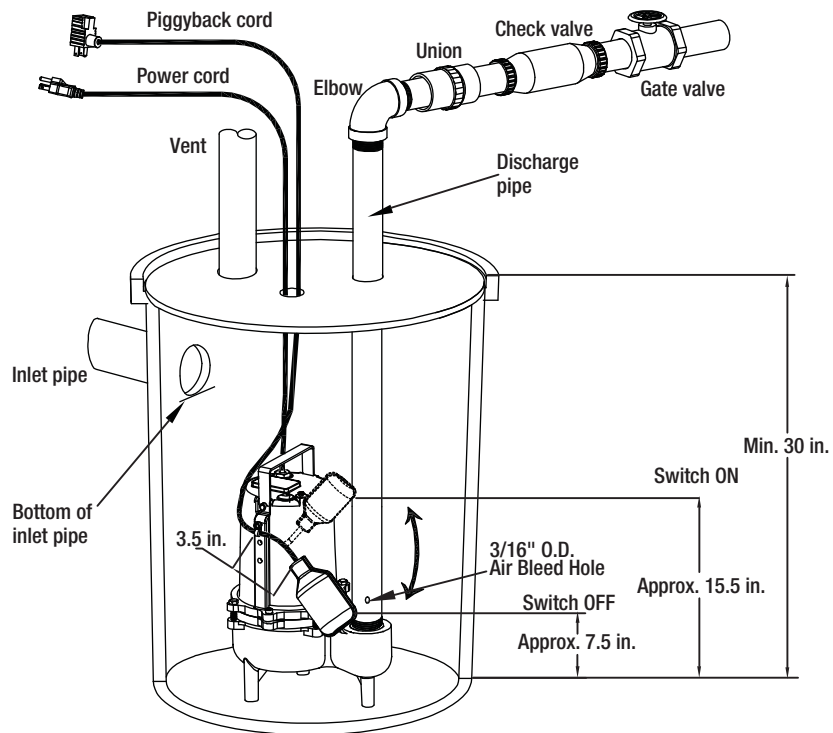
When a check valve is used, drill a relief hole 3/16 in. in diameter in the discharge pipe. This hole should be located below the floor line between the pump discharge and the check valve. Unless such a relief hole is provided, the pump could "air-lock" and will not pump water even though it will run.

A gate valve should follow the check valve to allow periodic cleaning of the check valve or removal of the pump.

The remainder of the discharge line should be as short as possible with a minimum of turns to minimize friction head loss. Do not restrict the discharge to sizes below 2 in..

Sewage and effluent applications will require a separate sump vent. A connection is provided on top of the sump or cover which must be piped to the existing building vent or extended outside with its own standpipe.

# Pre-Installation (continued)

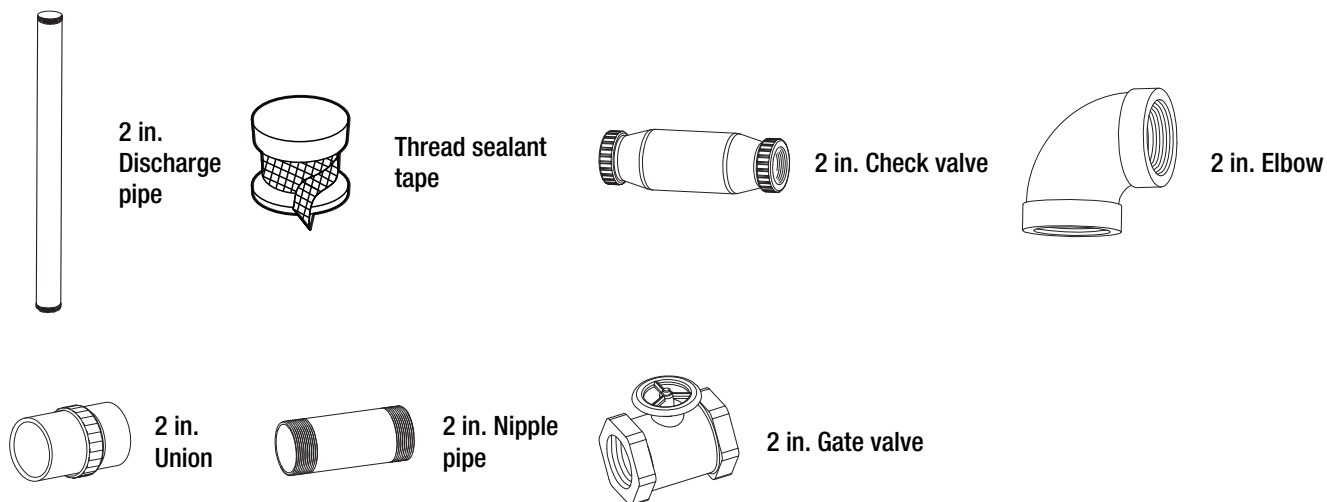


## PERFORMANCE CHART

SKU	HP	Volt	Amps	GPM of Water @ Total Feet of Lift					Max. Lift
				0'	5'	10'	15'	20'	
1005 057 562	3/4	115V	10.8A	140	130	110	91	71	28 ft.

## MATERIALS REQUIRED (NOT INCLUDED)

Before using this pump, ensure you have the following items:

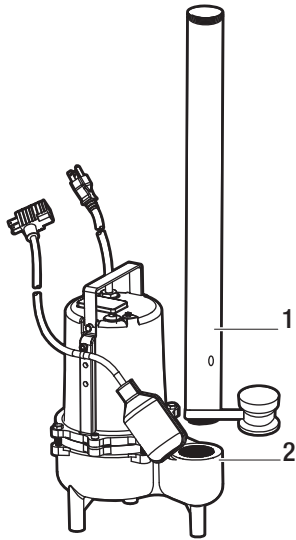


**NOTE:** The consumer/installer should purchase either a pre-threaded 2 in. MNPT pipe (or unthreaded pipe and pipe threader) or a 2 in. adapter (2 in. MNPT x 2 in. OD slip fit).

# Installation

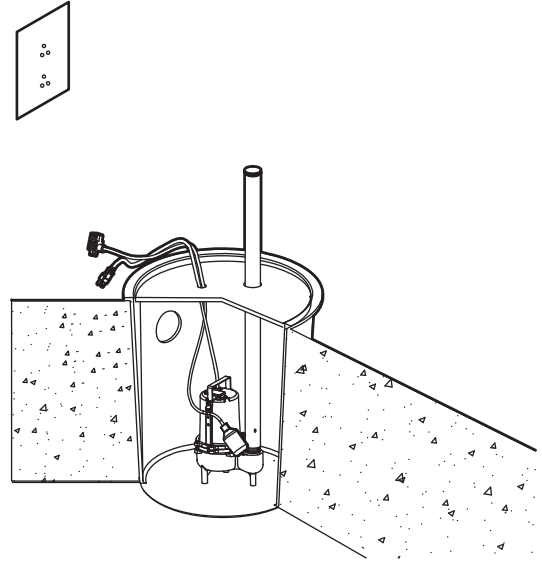
## 1 Connecting a discharge pipe to the pump

- Wrap the threads of the 2 in. discharge pipe (1) with thread sealant tape.
- Attach the discharge pipe (1) to the discharge of the pump (2).



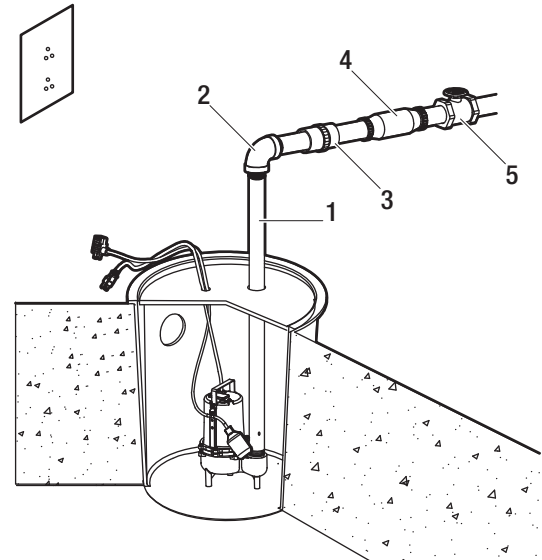
## 2 Placing the pump in a basin

- Place the pump on a hard surface inside a sewage basin.



## 3 Connecting the check valve

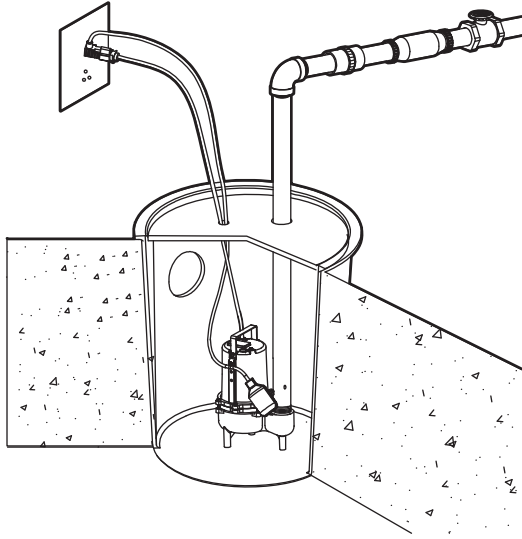
- Connect the discharge pipe (1) to the elbow (2), union (3), check valve (4), and gate valve (5).



# Operation

## 1 Connecting power

- Plug the pump power cord plug into the piggyback switch plug outlet.
- Plug the switch plug into a 115V GFCI power outlet.

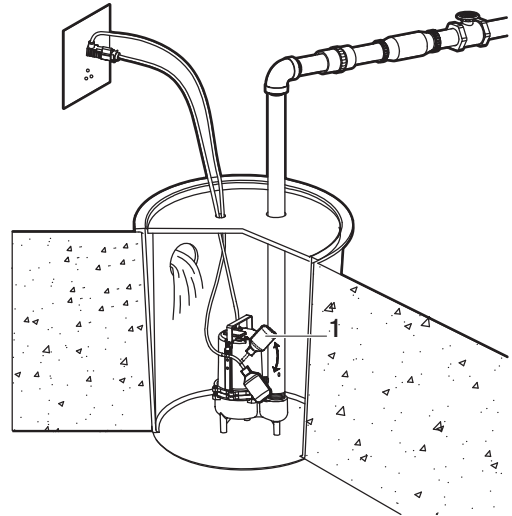


## 2 Operating the pump

- When the float switch (1) moves up over the top of the pump, the pump begins to operate. When the water lowers to a certain level, the float switch (1) will turn the pump off.
- Allow pump to operate through several on-off cycles.



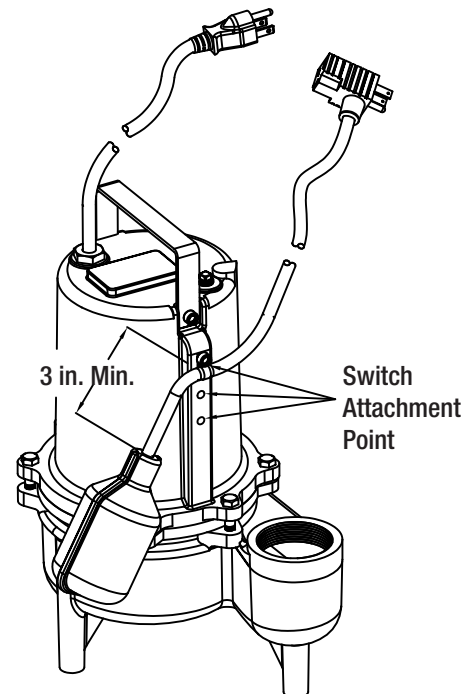
**NOTE:** Ensure the pump is submerged in water. Running the pump dry can damage the pump.



## 3 Switch tether height adjustment

Depending on the height of the inlet pipe, the pump float switch may need to be adjusted. The switch cord is fastened to the side of the motor housing with a clip and screw. If the water in the basin is allowed to rise beyond the bottom of the inlet pipe before activating the pump, lower the float switch cord per the instructions below. Always maintain 3 in. of cord length between the switch and the clip.

- Determine the height of the bottom of the inlet.
- Raise the float switch to determine the height at which the pump is activated. Only allow the pump to run for 1 second dry.
- Remove the screw from the float tether clip and replace in to a lower threaded hole that allows the pump to operate before water reaches the bottom of the inlet pipe.
- Test the on/off operation of the switch by adding clean water to the basin while observing the pump operation.



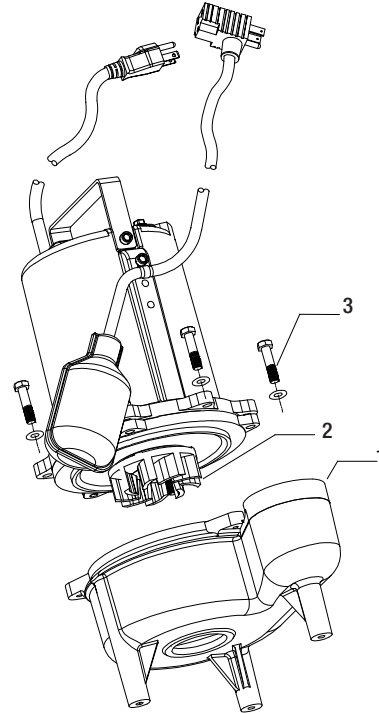
# Care and Cleaning

To clear a pump that is clogged with debris:

- Unplug the pump to disconnect the electrical power.
- Unscrew the four screws (3) on the pump body and remove the volute (1).
- Remove debris from around the impeller (2).
- Reassemble the pump.



**NOTE:** This pump features an oil filled motor for efficient cooling. The oil also serves to permanently lubricate the bearings. DO NOT disassemble the pump body as oil will leak out and warranty will be void.





# Troubleshooting



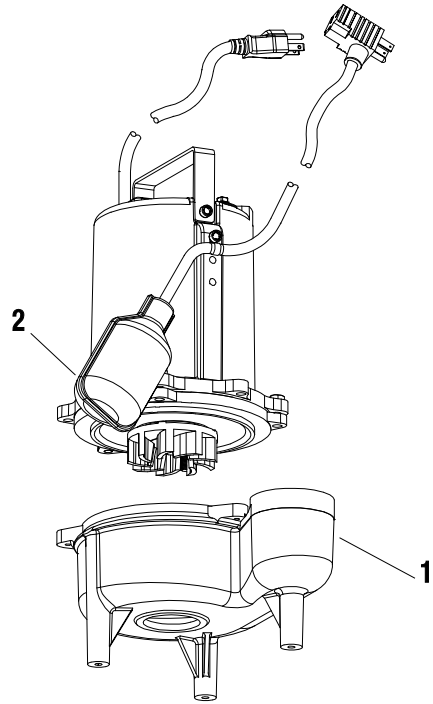
**WARNING:** Before servicing a pump, always shut off the main power breaker and then unplug the pump. Under flooded conditions, make sure you are not standing in water and that you are wearing insulated protective sole shoes. Contact your local electric company or a qualified licensed electrician for disconnecting electrical service prior to pump removal.



**CAUTION:** Call an electrician when in doubt. The pump should be connected to a separate 20 A circuit breaker or 20 A fuse block. Note that plugging into existing outlets may cause low voltage at the motor. This could cause blown fuses, tripping of motor overload or a burned out motor.

Problem	Probable Causes and Solutions
The pump does not run and makes a humming sound.	<ul style="list-style-type: none"> <li><input type="checkbox"/> The line circuit breaker is off, or the fuse is blown or loose.</li> <li><input type="checkbox"/> The water level in the basin has not reached turn-on level as indicated in the Installation Requirements drawing.</li> <li><input type="checkbox"/> The pump cord is not making contact in the receptacle.</li> <li><input type="checkbox"/> The float is stuck. It should operate freely in the basin.</li> <li><input type="checkbox"/> If all of the above are OK, then the motor could be malfunctioning.</li> </ul>
The pump runs but does not deliver water.	<ul style="list-style-type: none"> <li><input type="checkbox"/> Check if the check valve is installed backwards. The arrow on the check valve should point in the direction of flow.</li> <li><input type="checkbox"/> The gate valve (if used) may be closed.</li> <li><input type="checkbox"/> The impeller or volute openings are fully or partially clogged. Remove the pump and clean.</li> <li><input type="checkbox"/> The pump is air-locked. Start and stop several times by plugging and unplugging the cord. Check for clogged vent hole in the pump case or discharge pipe and/or no vent hole in the pump case or discharge pipe.</li> <li><input type="checkbox"/> The inlet holes in the pump base are clogged. Remove the pump and clean the openings.</li> <li><input type="checkbox"/> The vertical pumping distance is too high. Reduce the distance or change the discharge fittings of the pump.</li> </ul>
The pump runs and pumps out sump, but does not stop.	<ul style="list-style-type: none"> <li><input type="checkbox"/> The float is stuck in the up position. Be sure the float operates freely in the basin.</li> <li><input type="checkbox"/> The float switch is defective. Replace the float switch.</li> </ul>
The pump runs but only delivers a small amount of water.	<ul style="list-style-type: none"> <li><input type="checkbox"/> The pump is air-locked. Start and stop several times by plugging in and unplugging the cord. Check for a clogged vent hole in the pump case.</li> <li><input type="checkbox"/> The vertical pumping distance is too high. Reduce the distance or change the discharge fitting of the pump.</li> <li><input type="checkbox"/> Inlet holes in the pump base are clogged. Remove the pump and clean the strainer and openings.</li> <li><input type="checkbox"/> The impeller or volute openings are fully or partially clogged. Remove the pump and clean.</li> </ul>
The fuse blows or circuit breaker trips when the pump starts.	<ul style="list-style-type: none"> <li><input type="checkbox"/> The pump impeller is partially clogged, causing the motor to run slowly and overload. Remove the pump and clean.</li> <li><input type="checkbox"/> The motor stator may be defective.</li> <li><input type="checkbox"/> The fuse size or circuit breaker may be too small (must be 20 A).</li> <li><input type="checkbox"/> The impeller or volute openings are fully or partially clogged. Remove the pump and clean.</li> </ul>
The motor runs for a short time and then stops.	<ul style="list-style-type: none"> <li><input type="checkbox"/> The inlet holes in the pump base are clogged. Remove the pump and clean the openings.</li> <li><input type="checkbox"/> The pump impeller is partially clogged, causing the motor to run slowly and overload. Remove the pump and clean.</li> <li><input type="checkbox"/> The motor stator may be defective.</li> <li><input type="checkbox"/> The impeller or volute openings are fully or partially clogged. Remove the pump and clean. Also clean the strainer if one is installed.</li> </ul>

# Service Parts



No.	Description	Part Number	Quantity
1	Volute	HDESE6001-2	1
2	Float switch	HDESE6002	1





TM

Questions, problems, missing parts? Before returning to the store,  
call Everbilt Customer Service  
8 a.m. – 7 p.m., EST, Monday-Friday, 9 a.m. – 6 p.m., EST, Saturday

**1-844-883-1872**

**HOMEDEPOT.COM**

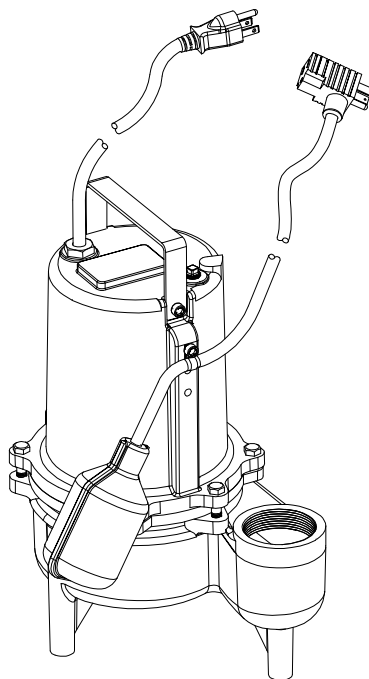
Retain this manual for future use.



Núm. de artículo  
1005 057 562  
Núm. de modelo  
ESE60W-HD

# GUÍA DE USO Y CUIDADO

## BOMBA SUMERGIBLE DE AGUAS RESIDUALES



¿Tiene preguntas, problemas, o faltan piezas? Antes de regresar a la tienda,  
llame a Servicio al Cliente de Everbilt  
de lunes a viernes de 8 a.m. a 7 p.m., sábado de 9 a.m. a 6 p.m., hora local del Este.

**1-844-883-1872**

**HOMEDEPOT.COM**

### GRACIAS

*Apreciamos la confianza que ha depositado en Everbilt por la compra de esta bomba sumergible de aguas residuales. Nos esforzamos por crear continuamente productos de calidad diseñados para mejorar su hogar. Visítenos en Internet para ver nuestra línea completa de productos disponibles para sus necesidades de mejorar su hogar. ¡Gracias por elegir a Everbilt!*

# Índice

Índice.....	2
Información de seguridad.....	2
Precauciones.....	2
Limitaciones.....	2
Seguridad eléctrica.....	3
Protección contra sobrecargas.....	3
Garantía.....	3
Limitaciones adicionales.....	4
Aviso al consumidor.....	4

Pre-instalación.....	4
Requerimientos de instalación.....	4
Gráfico de rendimiento.....	5
Materiales requeridos (no incluidos).....	5
Instalación.....	6
Funcionamiento.....	7
Cuidado y limpieza.....	8
Resolución de fallas.....	9
Piezas de servicio.....	10

## Información de seguridad

### PRECAUCIONES

1. Guarde este manual de instrucción en un lugar seguro para referencia futura.
2. No corte la cuchilla de conexión a tierra ni un accesorio adaptador.
3. No use un cable de extensión.
4. El cable eléctrico de la bomba debe conectarse a una línea con fusible, con conexión a tierra y con una capacidad mínima de 20A. Puede ser conectado a un disyuntor sin fusible a los amperios recomendados.
5. La instalación y el cableado eléctrico deben acatar los códigos estatales y provinciales y deben completarse antes de cebar la bomba. Revise las agencias comunitarias apropiadas o póngase en contacto con profesionales locales eléctricos y de bombas.
6. El voltaje del suministro de energía debe coincidir con el voltaje de la bomba.
7. Coloque la bomba en circuitos dedicados para evitar bajo voltaje.
8. Se puede instalar tubería plástica de PVC en la tubería de salida. Si se desea, se puede usar una manguera de desagüe o tubería de acero galvanizado o de cobre. Toda la tubería debe estar limpia y libre de materiales extraños para evitar que se atasque.
9. La bomba será inadecuada si los líquidos en suspensión contienen partículas sólidas más grandes de 2 pulg. (5.1 cm).

### LIMITACIONES

Esta bomba fue diseñada para funcionar en cuencos de bomba de al menos 30 pulg. de profundidad.



**PELIGRO:** ¡Mantenga el equipo de la bomba fuera del alcance de los niños! No seguir las instrucciones dadas podría ocasionar riesgos serios a las personas u objetos.



**ADVERTENCIA:** Las advertencias le indican al operador que no seguir una instrucción puede dañar la bomba y/o el sistema.



**ADVERTENCIA:** Antes de instalar o darle servicio a la bomba, asegúrese de que la fuente de energía esté desconectada.



**ADVERTENCIA:** Es obligatoria una conexión de tierra desde la bomba hasta la barra de tierra en el panel de servicio. Estas bombas vienen con un conductor con conexión a tierra y un enchufe de fijación tipo conexión a tierra. No conecte la bomba a una fuente de energía sino hasta que esté permanentemente conectada a tierra. Para máxima seguridad, conecte la bomba a un circuito equipado con un dispositivo interruptor de falla cuando coloque el cable de tierra de la bomba.



**ADVERTENCIA:** La cuenca de aguas residuales debe estar ventilada de acuerdo a los códigos locales de fontanería. Estas bombas no están diseñadas y NO PUEDEN ser instaladas en lugares clasificados como peligrosos.



**ADVERTENCIA:** Lo siguiente puede ocasionar serios daños a la unidad y anulará la garantía:

- (a) El uso de un cable de extensión.
- (b) Cortar la cuchilla de conexión a tierra o usar un accesorio adaptador.
- (c) Trabajar en la bomba o encenderla mientras está conectada.
- (d) Retirar la carcasa del motor, desenroscar el impulsor o de otra manera retirar el sello del impulsor.
- (e) Hacer funcionar la bomba de forma continua.
- (f) Bombear productos químicos o líquidos corrosivos.
- (g) Bombear gasolina u otros líquidos inflamables.

# Información de seguridad (continuación)



**PRECAUCIÓN:** Llame a un electricista cuando tenga dudas. La bomba debe conectarse a un disyuntor de circuito separado de 20A o a un bloque de fusibles de 20A. Conectar la bomba en tomacorrientes existentes puede ocasionar bajo voltaje en el motor. Esto podría hacer que exploten los fusibles, que se active la sobrecarga del motor o que se quemé el motor.



**ADVERTENCIA:** Si la bomba está dañada, haga que la inspeccione un centro de servicio autorizado.



**ADVERTENCIA:** Asegúrese de que las conexiones eléctricas estén protegidas contra inundaciones. Proteja el enchufe y el cable de energía del calor y bordes filosos.



**ADVERTENCIA:** El cable de energía debe ser reemplazado por personal calificado solamente. Conexión a tierra: El enchufe y el cable de energía tienen un contacto doble con conexión a tierra, para que la conexión a tierra se pueda lograr simplemente insertando el enchufe.

## SEGURIDAD ELÉCTRICA



**ADVERTENCIA:** Compruebe que el voltaje y la frecuencia de la bomba mostrados en la placa de identificación correspondan a los que están disponibles en la red eléctrica. El instalador debe asegurarse de que el sistema eléctrico esté conectado a tierra de acuerdo con los códigos.



**ADVERTENCIA:** Para uso en exteriores es necesario usar un cable con una longitud de al menos 10 pies (3 m). El enchufe y la conexión deben estar protegidos de salpicaduras de agua, y nunca deben ser usados con un cable de extensión. Antes de usar la bomba, inspecciónela visualmente siempre (especialmente el cable de energía y el enchufe).



**ADVERTENCIA:** No use la bomba si está dañada.

## PROTECCIÓN CONTRA SOBRECARGAS

Esta serie de bombas tiene un interruptor de protección térmica incorporado, protegerá el motor contra quemadura debido a sobrecalentamiento/sobrecarga. Cuando los motores se enfrían, el protector de sobrecarga se reajustará automáticamente y arrancará el motor.

Si la sobrecarga se activa con frecuencia, revise en busca de la causa. Podría ser un impulsor atascado, voltaje erróneo/bajo, o falla eléctrica en el motor. Si se sospecha de una falla eléctrica en el motor, haga que un técnico le dé servicio.

## Garantía

Este producto está garantizado contra defectos en materiales y mano de obra por un periodo de cinco años a partir de la fecha de compra original al por menor.

NO devuelva este producto (si se ha instalado alguna vez) a su tienda local de Home Depot. Las bombas de aguas residuales que han estado en servicio y han sido retiradas llevan un riesgo de contaminación con ellas. Si su bomba de aguas residuales ha fallado:

- use guantes de goma cuando manipule la bomba
- desconecte la bomba de la fuente de energía y siga todas las precauciones de seguridad adecuadas

Deseche la bomba de acuerdo con las ordenanzas de desecho locales.

Sujeto a las condiciones y limitaciones descritas antes, este producto será reemplazado (con el mismo modelo o uno de igual valor o especificación si el extremo del cable de la bomba con la etiqueta del cable y la prueba de compra son devueltos a la tienda minorista dentro del periodo de garantía establecido.

Estas garantías están sujetas a las siguientes condiciones y limitaciones:

- a) se deberá proporcionar un recibo de prueba de compra que compruebe el lugar de la compra y la fecha de compra;
- b) Esta garantía no aplicará a ningún producto o parte del mismo que esté desgastado o roto o que se haya vuelto inoperante debido a abuso, mal uso, daño accidental, materiales extraños en el sistema, operación a presiones superiores a las máximas recomendadas, negligencia o falta de instalación, operación o mantenimiento apropiados (como están descritos en el manual del propietario aplicable o las instrucciones de operación) o que esté siendo usado para fines industriales, profesionales, comerciales o de alquiler.
- c) Esta garantía no aplica al desgaste y uso normales, ni a las piezas o accesorios fungibles que pueden ser suministrados con el producto las que se espera se vuelvan inoperantes o inutilizables después de un periodo de uso razonable;
- d) Esta garantía no aplicará a mantenimiento de rutina y elementos consumibles;
- e) Esta garantía no aplicará cuando el daño sea causado por reparaciones hechas o intentadas por otros (es decir, personas no autorizadas por el fabricante);
- f) Esta garantía no aplicará a ningún producto que haya sido vendido al comprador original como un producto reacondicionado o renovado (a menos que se especifique lo contrario por escrito);
- g) esta garantía no aplicará a ningún producto o parte del mismo si se instala en él alguna pieza de otro fabricante o se hayan hecho o intentado reparaciones o alteraciones por personas no autorizadas;

## Garantía (continuación)

h) Esta garantía no aplicará al deterioro normal del acabado exterior, tal como, pero no limitado a, rayones, abolladuras, desprendimientos de pintura o corrosión o decoloración por calor, abrasivos y limpiadores químicos; y

i) Esta garantía no aplicará a piezas componentes vendidas por e identificadas como el producto de otra compañía, que será cubierto bajo la garantía del fabricante del producto, si la hay.

### LIMITACIONES ADICIONALES

Esta garantía aplica solamente al comprador original y no puede ser transferida. Ni la tienda minorista ni el fabricante serán responsables de ningún otro gasto, pérdida o daños, incluyendo, sin limitación, cualquier daño indirecto, incidental, consecuente o ejemplar que surjan relacionados con la venta, uso o incapacidad de usar este producto.

### AVISO AL CONSUMIDOR

Esta garantía le otorga derechos legales específicos y también puede tener otros derechos que pueden variar de un estado a otro. Las disposiciones contenidas en esta garantía no están previstas para limitar, modificar, quitar, renunciar o excluir cualquier garantía legal descrita en cualquier legislación provincial o federal aplicable.

Póngase en contacto con el Equipo de Servicio al Cliente llamando al 1-844-883-1872 o visite [www.HomeDepot.com](http://www.HomeDepot.com).

## Pre-instalación

### REQUERIMIENTOS DE INSTALACIÓN

Esta bomba está provista con un interruptor flotante de encendido/apagado para operación automática. Consulte las Instrucciones de instalación incluidas con los interruptores y controladores para la instalación.

Debe tenerse cuidado para evitar que la bomba funcione en un sumidero seco.

La bomba debe instalarse en un cuenco a prueba de gas que tenga un mínimo de 18 pulg. de diámetro y un mínimo de 30 pulg. de profundidad y ventilado de acuerdo con los códigos locales de fontanería.

La bomba debe ser colocada sobre una superficie dura y a nivel. Nunca coloque la bomba directamente sobre superficies de arcilla, tierra o grava.

La bomba puede ser instalada con tubería de ABS, PVC, polietileno o acero galvanizado. Se requieren adaptadores apropiados para conectar la tubería plástica a la bomba.

Siempre instale una unión en la línea de descarga, justamente sobre la fosa del sumidero, para permitir un fácil retiro de la bomba para limpieza o reparación.

Debe usarse una válvula de retención en la línea de descarga para evitar que el líquido fluya de nuevo al cuenco. La válvula de retención debe ser una válvula de flujo libre que permita con facilidad el paso de sólidos.



**PRECAUCIÓN:** Instale la válvula de retención según la recomendación del fabricante.

Cuando use una válvula de retención, perforo un agujero de alivio de 3/16 pulg. de diámetro en la tubería de descarga. Este agujero debe estar localizado abajo de la línea del piso entre la descarga de la bomba y la válvula de retención. A menos que se proporcione tal agujero de alivio, la bomba se podría bloquear por aire y no bombeará agua a pesar de que funcione.

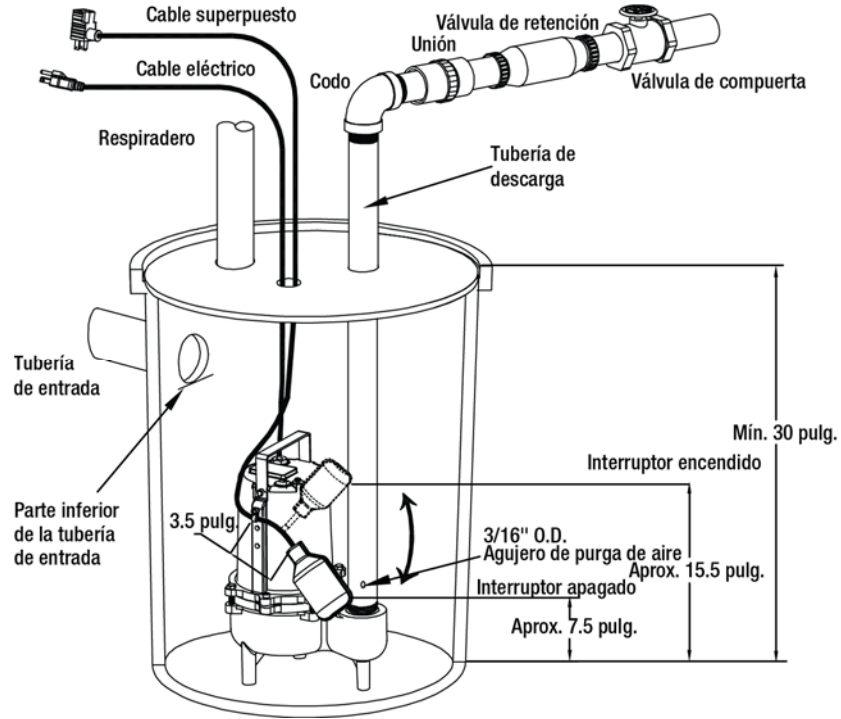
Una válvula de compuerta debe seguir a la válvula de retención para permitir la limpieza periódica de la válvula de retención o el retiro de la bomba.

El resto de la línea de descarga debe ser lo más corta posible con un mínimo de vueltas para minimizar las pérdidas de cabeza de fricción. No restrinja la descarga a tamaños menores de 2 pulg.

Las aplicaciones de aguas residuales y efluentes requerirán un respiradero de sumidero separado. Se proporciona una conexión en la parte superior del sumidero o cubierta que debe ser canalizada al respiradero existente del edificio o extendida afuera con su propia tubería.



# Pre-instalación (continuación)



## GRÁFICO DE RENDIMIENTO

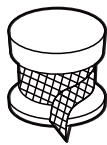
SKU	HP	Voltio	Amperios	LPM de agua a pies totales de elevación					Máx. Elevación
				0 pies	5 pies	10 pies	15 pies	20 pies	
1005 057 562	3/4	115V	10.8A	530	492	416	344	269	28 ft.

## MATERIALES REQUERIDOS (NO INCLUIDOS)

Antes de usar esta bomba, asegúrese de tener los siguientes artículos:



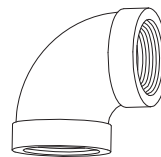
2 pulg.  
Tubería de  
descarga



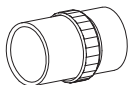
Cinta selladora  
de roscas



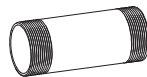
2 pulg. Válvula de  
retención



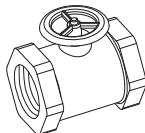
2 pulg. Codo



2 pulg.  
Unión



2 pulg. Niple



2 pulg. Válvula de  
compuerta

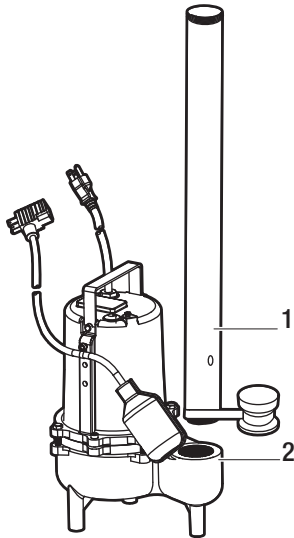


**NOTA:** El consumidor/instalador debe comprar una tubería MNPT pre-roscada de 2 pulg. (o tubería sin rosca y terraja de tubería) o un adaptador de 2 pulg. (2 pulg. MNPT x 2 pulg. OD adaptador deslizable).

# Instalación

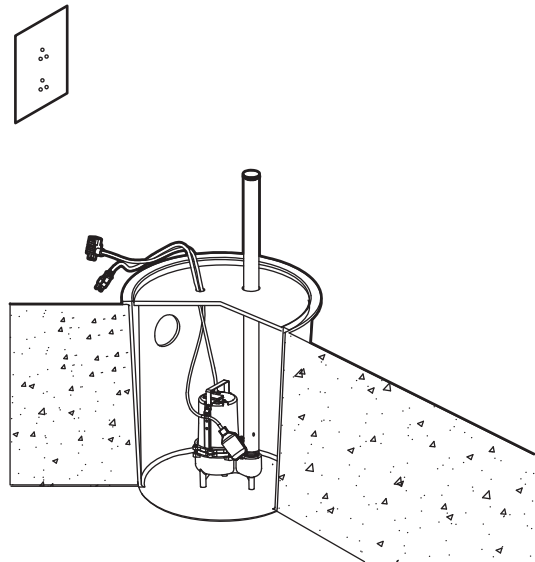
## 1 Conexión de una tubería de descarga a la bomba

- Envuelva las roscas de la tubería de descarga de 2 pulg. (1) con cinta selladora de rosca.
- Instale la tubería de descarga (1) en la descarga de la bomba (2).



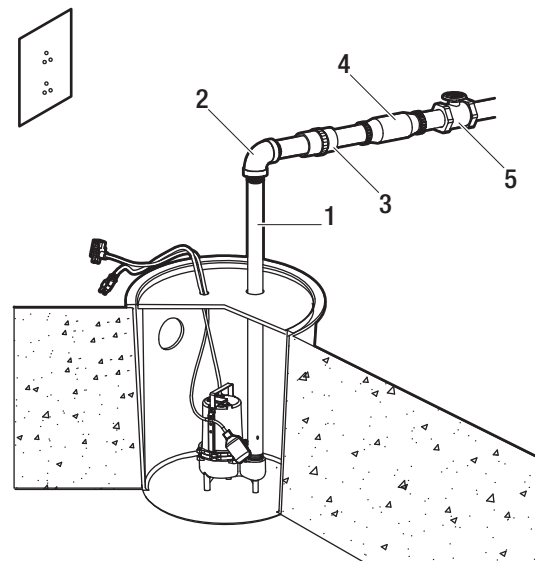
## 2 Colocación de la bomba en un cuenco

- Coloque la bomba sobre una superficie dura dentro del cuenco de las aguas residuales.



## 3 Conexión de la válvula de retención

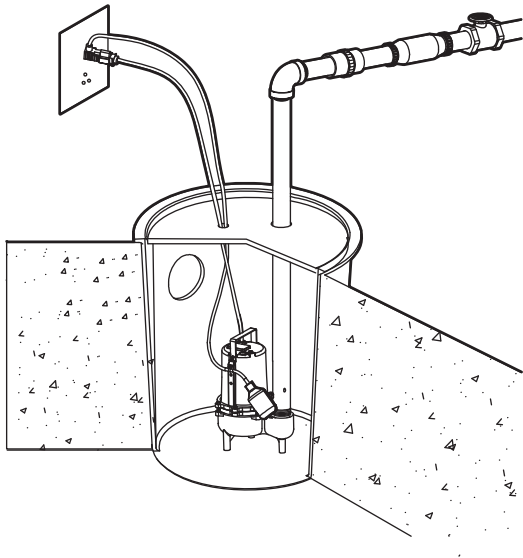
- Conecte la tubería de descarga (1) en el codo (2), la unión (3), la válvula de retención (4), y la válvula de compuerta (5).



# Funcionamiento

## 1 Conexión de la energía

- Conecte el enchufe del cable eléctrico de la bomba en el tomacorriente del enchufe de interruptor tipo adaptador.
- Conecte el enchufe interruptor en un tomacorriente GFCI de 115V.

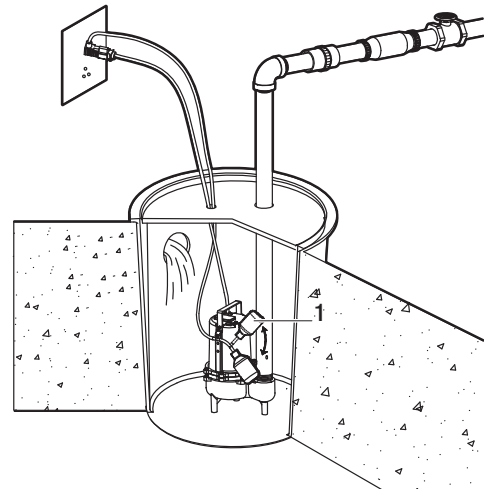


## 2 Operación de la bomba

- Cuando el interruptor flotante (1) se mueva hacia arriba sobre la parte superior de la bomba, la bomba comienza a funcionar. Cuando el agua baja hasta cierto nivel, el interruptor flotante (1) apagará la bomba.
- Deje que la bomba funcione a través de varios ciclos de encendido/apagado.



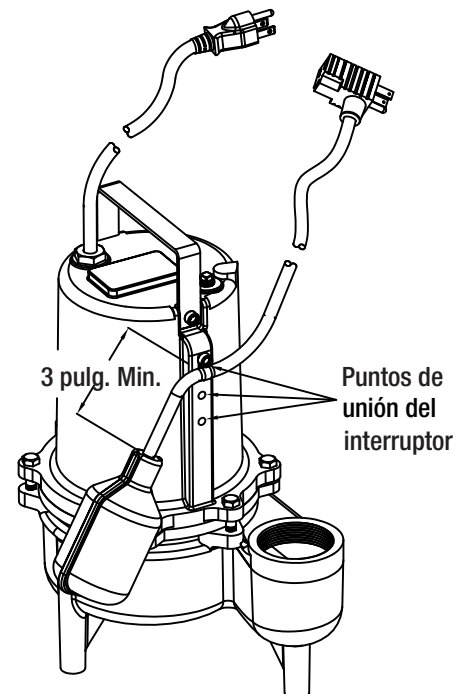
**NOTA:** Asegúrese de que la bomba esté sumergida en agua. Poner a funcionar la bomba sin suficiente agua puede dañar la bomba.



## 3 Ajuste de altura de amarre de interruptor

Dependiendo de la altura de la tubería de entrada, es posible que deba ajustarse el interruptor flotante de la bomba. El cable del interruptor se sujeta al lado de la carcasa del motor con un gancho y tornillo. Si se deja que el agua en el cuenco suba más allá del fondo de la tubería de entrada antes de activar la bomba, baje el cable del interruptor flotante según las instrucciones a continuación. Mantenga siempre 3 pulg. de longitud del cable entre el interruptor y el gancho.

- Determine la altura del fondo de la entrada.
- Eleve el interruptor flotante para determinar la altura a la que la bomba está activada. Solo deje que la bomba funcione seca durante 1 segundo.
- Retire el tornillo del gancho de amarre del flotador y recóloquelo en un agujero roscado inferior para permitir que la bomba funcione antes de que el agua alcance el fondo de la tubería de entrada.
- Pruebe la operación encendido/apagado del interruptor agregando agua limpia al cuenco mientras observa el funcionamiento de la bomba.



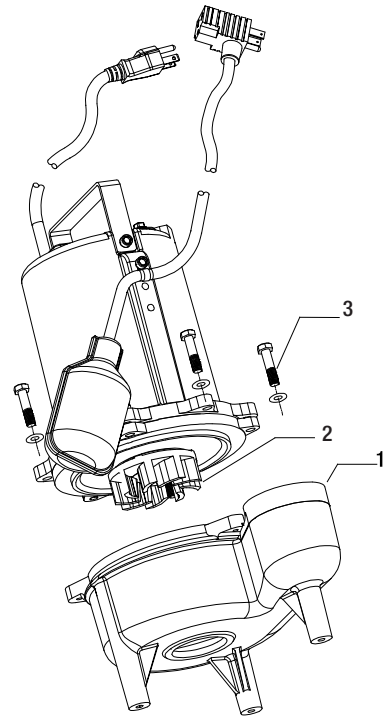
# Cuidado y limpieza

Para limpiar la bomba cuando está atascada con desechos:

- Desenchufe la bomba para desconectar la energía eléctrica.
- Quite los cuatro tornillos (3) en el cuerpo de la bomba y retire la espiral (1).
- Retire los desechos alrededor del impulsor (2).
- Ensamble de nuevo la bomba.



**NOTA:** Esta bomba presenta un motor lleno de aceite para un enfriamiento eficiente. El aceite también sirve para lubricar permanentemente los cojinetes. **NO** desensamble el cuerpo de la bomba ya que el aceite se fugará y esto anulará la garantía.



# Resolución de fallas



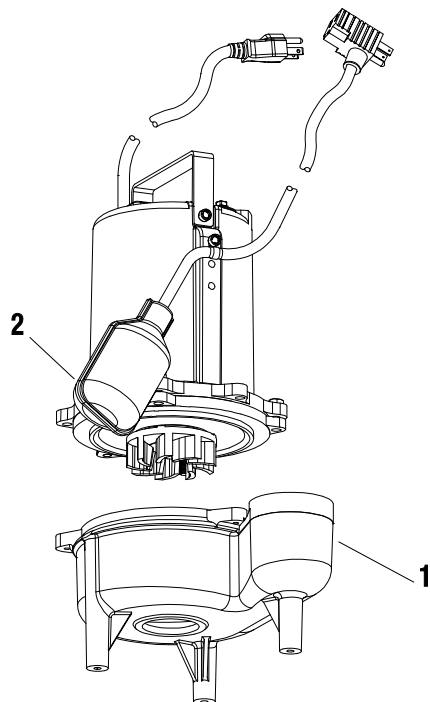
**ADVERTENCIA:** Antes de darle servicio a la bomba, siempre apague el disyuntor de energía principal y luego desconecte la bomba. Bajo condiciones de inundación, asegúrese de no estar parado en agua y que esté usando zapatos protectores aislados. Póngase en contacto con la compañía eléctrica local o con un electricista calificado para desconectar el servicio de electricidad antes del retiro de la bomba.



**PRECAUCIÓN:** Llame a un electricista cuando tenga dudas. La bomba debe conectarse a un disyuntor de circuito separado de 20A o a un bloque de fusibles de 20A. Note que conectar la bomba en tomacorrientes existentes puede ocasionar bajo voltaje en el motor. Esto podría hacer que exploten los fusibles, que se active la sobrecarga del motor o que se quemé el motor.

Problema	Causas probables y solución
La bomba no funciona y hace un zumbido.	<ul style="list-style-type: none"> <li><input type="checkbox"/> El disyuntor del circuito de la línea está apagado, o el fusible ha explotado o está flojo.</li> <li><input type="checkbox"/> El nivel del agua en el cuenco no ha alcanzado el nivel de encendido como se indica en el esquema de Requisitos de instalación.</li> <li><input type="checkbox"/> El cable de la bomba no está haciendo contacto en el receptáculo.</li> <li><input type="checkbox"/> El flotador está atascado. Debe funcionar libremente en el cuenco.</li> <li><input type="checkbox"/> Si todo lo anterior está bien, entonces el motor debe estar funcionando mal.</li> </ul>
La bomba funciona pero no entrega agua.	<ul style="list-style-type: none"> <li><input type="checkbox"/> Compruebe si la válvula de retención está instalada al revés. La flecha en la válvula de retención debe apuntar en la dirección del flujo.</li> <li><input type="checkbox"/> La válvula de compuerta (si se está usando) puede estar cerrada.</li> <li><input type="checkbox"/> Las aberturas del impulsor o espiral están completa o parcialmente obstruidas. Retire la bomba y límpiela.</li> <li><input type="checkbox"/> La bomba está bloqueada por aire. Arranque y pare varias veces conectando y desconectando el cable. Revise para ver si está obstruido el agujero de ventilación en la cubierta de la bomba o la tubería de descarga y/o si no hay agujero de ventilación en la cubierta de la bomba o la tubería de descarga.</li> <li><input type="checkbox"/> Los agujeros de entrada en la base de la bomba están obstruidos. Retire la bomba y limpie las aberturas.</li> <li><input type="checkbox"/> La distancia de bombeo vertical es demasiado alta. Reduzca la distancia o cambie las conexiones de descarga de la bomba.</li> </ul>
La bomba funciona y bombea al sumidero pero no se para.	<ul style="list-style-type: none"> <li><input type="checkbox"/> El flotador está atascado en la posición de arriba. Asegúrese de que el flotador funcione libremente en el cuenco.</li> <li><input type="checkbox"/> El interruptor del flotador está defectuoso. Reemplace el interruptor del flotador.</li> </ul>
La bomba funciona pero solo entrega una pequeña cantidad de agua.	<ul style="list-style-type: none"> <li><input type="checkbox"/> La bomba está bloqueada por aire. Arranque y pare varias veces conectando y desconectando el cable. Revise para ver si está obstruido el agujero de ventilación en la cubierta de la bomba.</li> <li><input type="checkbox"/> La distancia de bombeo vertical es demasiado alta. Reduzca la distancia o cambie las conexiones de descarga de la bomba.</li> <li><input type="checkbox"/> Los agujeros de entrada en la base de la bomba están obstruidos. Retire la bomba y limpie el colador y las aberturas.</li> <li><input type="checkbox"/> Las aberturas del impulsor o espiral están completa o parcialmente obstruidas. Retire la bomba y límpiela.</li> </ul>
El fusible explota o el disyuntor de circuito se dispara cuando la bomba arranca.	<ul style="list-style-type: none"> <li><input type="checkbox"/> El impulsor de la bomba está parcialmente obstruido, haciendo que el motor funcione lentamente y se sobrecargue. Retire la bomba y límpiela.</li> <li><input type="checkbox"/> El estator del motor puede estar defectuoso.</li> <li><input type="checkbox"/> El tamaño del fusible o del disyuntor de circuito puede ser demasiado pequeño (debe ser de 20 A).</li> <li><input type="checkbox"/> Las aberturas del impulsor o espiral están completa o parcialmente obstruidas. Retire la bomba y límpiela.</li> </ul>
El motor funciona durante un corto periodo de tiempo y luego se para.	<ul style="list-style-type: none"> <li><input type="checkbox"/> Los agujeros de entrada en la base de la bomba están obstruidos. Retire la bomba y limpie las aberturas.</li> <li><input type="checkbox"/> El impulsor de la bomba está parcialmente obstruido, haciendo que el motor funcione lentamente y se sobrecargue. Retire la bomba y límpiela.</li> <li><input type="checkbox"/> El estator del motor puede estar defectuoso.</li> <li><input type="checkbox"/> Las aberturas del impulsor o espiral están completa o parcialmente obstruidas. Retire la bomba y límpiela. Limpie también el colador si tiene instalado uno.</li> </ul>

# Piezas de servicio



No.	Descripción	Número de pieza	Cantidad
1	Voluta	HDESE6001-2	1
2	Interruptor flotante	HDESE6002	1





¿Tiene preguntas, problemas, o faltan piezas? Antes de regresar a la tienda,  
llame a Servicio al Cliente de Everbilt  
de lunes a viernes de 8 a.m. a 7 p.m., sábado de 9 a.m. a 6 p.m., hora local del Este.

**1-844-883-1872**

**HOMEDEPOT.COM**

Conserve este manual para uso futuro.