

KICHLER®

65" Eads™ Patio XL / 52" Eads™ Patio

Product images may vary slightly from actual product.



INSTRUCTION MANUAL

TABLE OF CONTENTS

- SAFETY RULES4
- TOOLS REQUIRED5
- PACKAGE CONTENTS5
- MOUNTING OPTIONS6
- HANGING THE FAN7
- INSTALLATION OF SAFETY SUPPORT.....9
- ELECTRIC CONNECTIONS11
- FINISHING THE INSTALLATION12

- ATTACHING THE FAN BLADE.....13
- INSTALLING THE SWITCH HOUSING14
- INSTALLING THE SWITCH COVER15
- INSTALLING THE FOB15
- INSTALLING AN OPTIONAL LIGHT FIXTURE16
- TROUBLESHOOTING17

SAFETY RULES

1. To reduce the risk of electric shock, insure electricity has been turned off at the circuit breaker or fuse box before beginning.
2. All wiring must be in accordance with the National Electrical Code and local electrical codes. Electrical installation should be performed by a qualified licensed electrician.
3. **WARNING:** To reduce the risk of fire or electric shock, use only the control provided with the fan.
4. **WARNING:** To reduce the risk of fire, electric shock, or personal injury, mount to outlet box UL-listed marked "Acceptable for fan support of 15.9 kg (35 lbs) or less and use mounting screws provided with the outlet box and/or support directly form building structure. Most outlet boxes commonly used for the support of luminaires are not acceptable for fan support and may need to be replace, consult a qualified electrician if in doubt.

WARNING: TO REDUCE THE RISK OF FIRE, ELECTRIC SHOCK OR PERSONAL INJURY, MOUNT FAN TO OUTLET BOX MARKED "ACCEPTABLE FOR FAN SUPPORT".

5. The outlet box and support structure must be securely mounted and capable of reliably supporting a minimum of 35 pounds. Use only CUL Listed outlet boxes marked "FOR FAN SUPPORT".
6. The fan must be mounted with a minimum of 7 feet clearance from the trailing edge of the blades to the floor.
7. Do not operate reversing switch while fan blades are in motion. Fan must be turned off and blades stopped before reversing blade direction.

8. Avoid placing objects in the path of the blades.
9. To avoid personal injury or damage to the fan and other items, be cautious when working around or cleaning the fan.
10. Do not use water or detergents when cleaning the fan or fan blades. A dry dust cloth or lightly dampened cloth will be suitable for most cleaning.
11. After making the electrical connections, spliced conductors should be turned upward and pushed carefully up into outlet box. The wires should be spread apart with the ground wire and white
12. (common) wire to one side with the black (load) wire to the other side of the outlet box.

WARNING: TO REDUCE THE RISK OF PERSONAL INJURY, DO NOT BEND THE BLADE BRACKETS (ALSO REFERRED TO AS FLANGES) DURING ASSEMBLY OR AFTER INSTALLATION. DO NOT INSERT OBJECTS IN THE PATH OF THE BLADES.

TOOLS AND MATERIALS REQUIRED

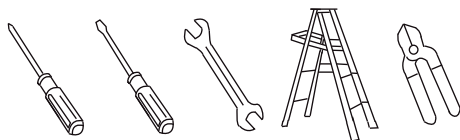
Philips screw driver

Blade screw driver

11 mm wrench

Step ladder

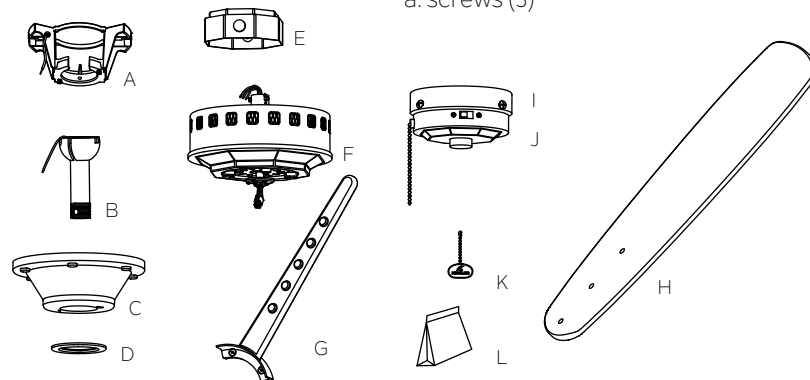
Wire cutters



PACKAGE CONTENTS

Unpack your fan and check the contents. You should have the following items:

- A. Mounting Bracket (1)
- B. Ball / Downrod Assembly (1)
- C. Canopy (1)
- D. Canopy Hole Cover (1)
- E. Coupling Cover (1)
- F. Motor Body (1)
- G. Blade Arm (4)
- H. Fan Blades (4)
- I. Switch Housing (1)
- J. Switch Cover (1)
- K. Fob (1)
- L. Package Hardware
 - 1) Mounting Hardware:
 - a. wood screws (2), screws (2), flat washers (2), lockwashers (2), wire connectors (3)
 - 2) Blade Attachment Hardware:
 - a. screws (14), washers (14)
 - 3) Blade Arm Hardware:
 - a. screw (2)
 - 4) Safety Cable Hardware:
 - a. wood screw (1), spring washer (1), flat washer (1)
 - 5) Balance Kit (1)
 - 6) Screw Hardware:
 - a. screws (3)



MOUNTING OPTIONS

If there isn't an existing UL (cUL for Canadian Installation) listed mounting box, then read the following instructions. Disconnect the power by removing fuses or turning off circuit breakers.

Secure the outlet box directly to the building structure. Use appropriate fasteners and building materials. The outlet box and its support must be able to fully support the moving weight of the fan (at least 35 lbs). Do not use plastic outlet boxes.

Figures 1, 2 and 3 are examples of different ways to mount the outlet box.

NOTE: If you are installing the ceiling fan on a sloped (vaulted) ceiling, you may need a longer downrod to maintain proper clearance between the tip of the blade and the ceiling. A minimum clearance of 12" is suggested for optimal operation.

NOTE: Depending on the location you have selected for installation, you may need to purchase and install a "Joist Hanger" for the support of the outlet box. Make sure the joist hanger you purchase has been designed for use with ceiling fans. (Fig. 4)

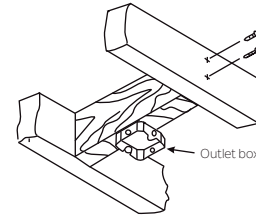


Fig. 1

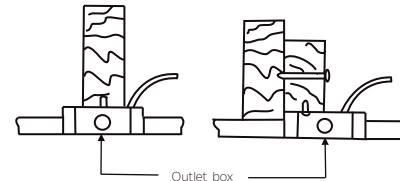


Fig. 2

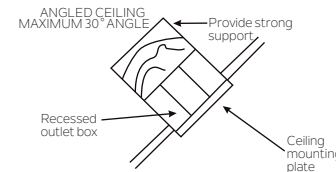


Fig. 3

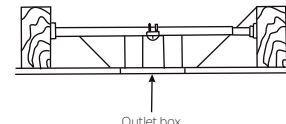


Fig. 4

HANGING THE FAN

REMEMBER: To turn off the power before you begin installation. This is necessary for your safety and also the proper programming of the control system. To properly install your ceiling fan, follow the steps below.

Step 1. Before attaching fan to outlet box (not included), ensure the outlet box is securely fastened to at least two points to a structural ceiling member (a loose box will cause the fan to wobble). Pass the 120 volt supply wires from the ceiling outlet box through the center of the mounting bracket to outlet box in ceiling using the screws and washers included with the outlet box or screws and washers in the hardware bag. (Fig. 5)

Step 2. Remove the hanger ball from downrod assembly by loosening set screws, removing the cross pin, and twisting ball out of the rod. (Fig. 6)

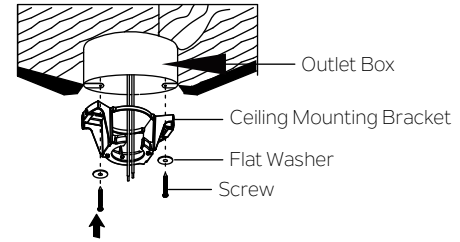


Fig. 5

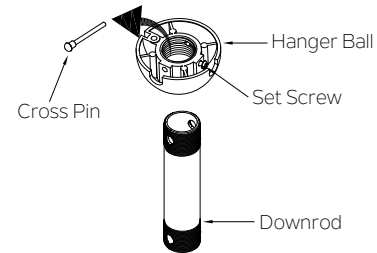


Fig. 6

HANGING THE FAN

Step 3. Loosen the two set screws and remove the clip and cross pin from the top coupling of the motor body.

Carefully feed the fan wires up through the downrod. Thread the downrod onto the motor coupling until the cross pin holes are aligned. Next, replace the cross pin and clip, and tighten both set screws. (Fig. 7)

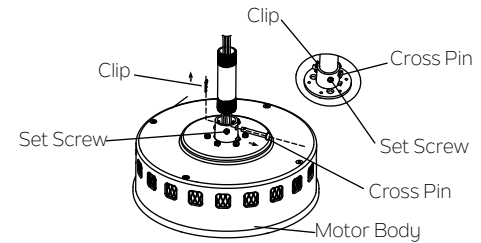


Fig. 7

Step 4. Slip the coupling cover, canopy hole cover and canopy onto the downrod. Carefully reinstall the hanger ball onto the downrod. Make sure the cross pin is in the correct position and screws are tight and the wires are not twisted. (Fig. 8)

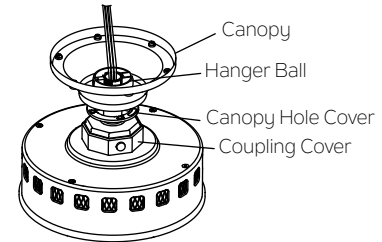


Fig. 8

HANGING THE FAN

Step 5. Now lift the motor body into position and place the hanger ball into the hanger bracket. Rotate until the "Check Tab" has dropped into the "Registration Slot " and seats firmly. (Fig. 9)
The entire motor body should not rotate if this is done correctly.

WARNING: Failure to properly seat the "Check Tab" can damage the ceiling fan during operation.

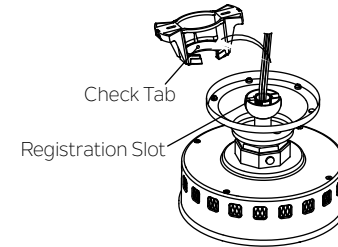


Fig. 9

INSTALLATION OF SAFETY SUPPORT (required for Canadian installation only)

A safety support cable is provided to help prevent the ceiling fan from falling, please install it as follows.

Step 1. Drive a wood screw and washers into the side of the brace that holds the outlet box. Leave 3mm (1/8") of space between the support brace and the washer. (Fig. 10)

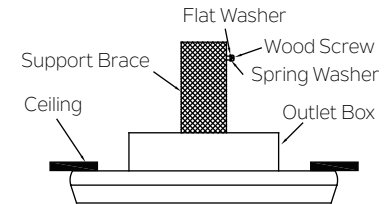


Fig.10

INSTALLATION OF SAFETY SUPPORT (required for Candian installation only)

Step 2. Insert the safety cable through the mounting bracket and one of the holes in the outlet box into the ceiling. Adjust the length of the safety cable to reach the screw and washers by pulling the extra cable through the cable clamp until the overall length is correct, put the end of the cable back through the cable clamp, forming a loop at the end of the cable. Tighten the cable clamp securely. Now, put the loop in the end of the safety cable over the wood screw and under the washer. Tighten the wood screw securely. (Fig. 11)

NOTE: Although the safety support cable is required for Canadian installations only. It's a good idea to make the attachment with any installation.

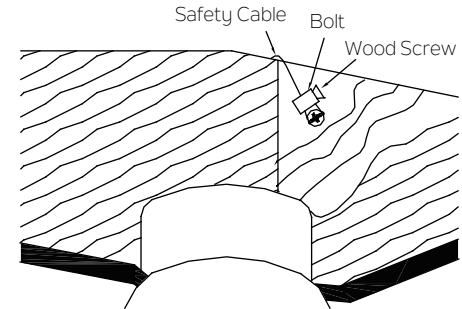


Fig.11

MAKE THE ELECTRIC CONNECTIONS

WARNING: To avoid possible electrical shock, be sure you have turned off the power at the main circuit panel before wiring.

Follow the steps below to connect the fan to your household wiring. Use the wire connecting nuts supplied with your fan. Secure the connector with electrical tape. Make sure there are no loose wire stands or connections.

WARNING: If your house wires are different colors than referenced in this manual, stop immediately. A professional electrician is recommended to determine proper wiring.

Step 1. Connect the fan supply BLACK wire and fan light supply BLUE wire to the BLACK household supply wire as shown in Fig. 12.

Step 2. Connect the fan neutral WHITE wire to the household neutral WHITE wire as shown in Fig. 12.

Step 3. Connect GROUND (GREEN) wires from mounting bracket and downrod ball, to GROUND (GREEN) or BARE (COPPER) from house.(Fig. 12)

Step 4. After making all of the above connecting,spread them apart so the GREEN and WHITE wires to one side of the outlet box and the BLACK wire toward the other side.

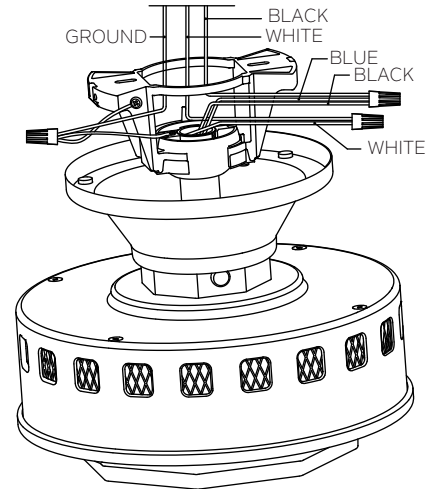


Fig. 12

FINISHING THE INSTALLATION

Step 1. Remove one of the two shoulder screws in the mounting bracket. Loosen the second shoulder screw without fully removing it. (Fig. 13)

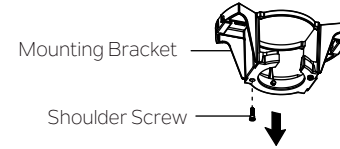


Fig.13

Step 2. Assemble canopy by rotating key slot in canopy over shoulder screw in mounting bracket. Tighten shoulder screw. Fully assemble and tighten second shoulder screw that was previously removed. (Fig. 14)

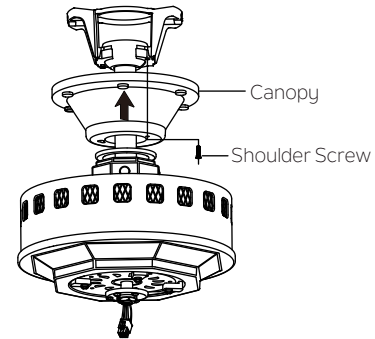


Fig.14

FINISHING THE INSTALLATION

Step 3. Securely attach and tighten the canopy hole cover over the shoulder screws in the mounting bracket utilizing the keyslot twist-lock feature. (Fig. 15)



Fig.15

ATTACHING THE FAN BLADES

NOTE: Before continuing, make sure the power is disconnected by turning off the circuit breaker or removing the fuse at the circuit box.

Step 1. Position the blade over the blade arm with threaded posts showing. Make sure the bottom edge of the blade is fully seated against the blade arm. With a Philips screwdriver, start a screw into the blade arm (do not tighten) and repeat for the 2 remaining blade screws and washers. Tighten each screw securely starting with the center screw. Make sure the blade is straight. Repeat steps for the remaining blades.(Fig. 16)

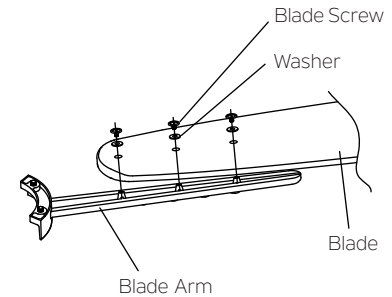


Fig.16

ATTACHING THE FAN BLANES

Step 2. Remove the shipping blocks from the bottom of the motor body and discard. Fasten blade assembly to the holes located on the bottom of the motor body. Tighten the two "pre-installed" motor screws in the blade arm. Repeat steps for the remaining blades assemblies. (Fig. 17)

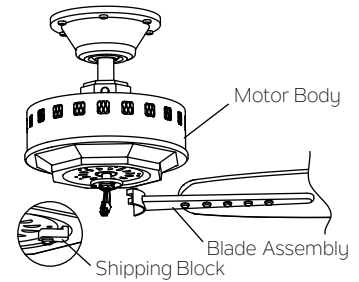


Fig.17

INSTALLING THE SWITCH HOUSING

Step 1. Remove the three screws and separate the switch housing from the switch cover (Fig. 18)

Step 2. Remove the screw on the mounting ring and loosen the other two (do not remove). Let the 9-pin connector from motor body through the middle hole of switch housing. Align the two slot holes on the switch housing over the 2 screws previously loosened from the mounting ring. Turn the switch housing until it locks in place at the narrow end of the key holes. Securely tighten all three screws. (Fig. 18)

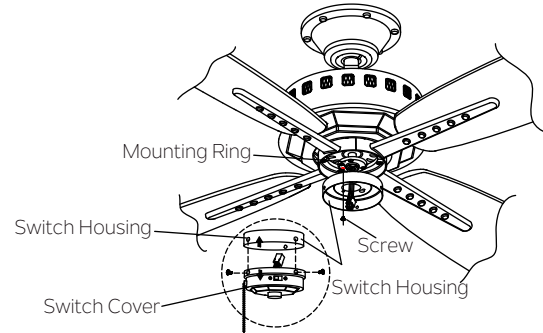


Fig.18

INSTALLING THE SWITCH COVER

NOTE: Before continuing, make sure the power is disconnected by turning off the circuit breaker or removing the fuse at the circuit box.

NOTE: If you plan to install an “Optional” light fixture purchased separately, please skip to page 16 and continue. If you want your ceiling fan installed WITHOUT an “Optional” light fixture, follow steps below.

Step 1. The Square plastic wiring connector from the motor body and switch cover will only fit together one way. Match up the color on the side of each connector, then push them together until the snap engages. (Fig. 19)

Step 2. Tuck the new connections neatly into the switch cover. Align the switch cover with the screws on the edge of the switch housing. Make sure all three screws are tight and secure. (Fig. 19)

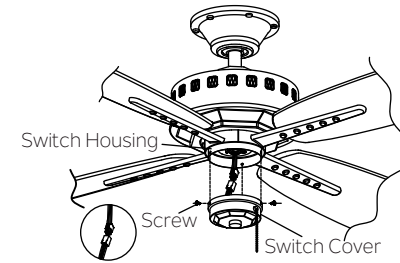


Fig. 19

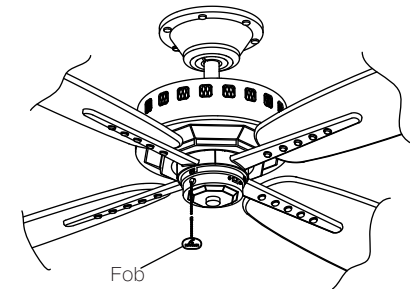


Fig. 20

INSTALLING THE FOB

Step 1. Attach the decorative pull chain fob to the chain coming out of the switch cover. Refer to Fig. 20.

INSTALLING AN “OPTIONAL” LIGHT FIXTURE

Step 1. Remove the hex nut (1) and finial located in the bottom of the switch cover by using a tooling. (Fig. 21) Keep them for future use.

Step 2. Feed the electrical wires from the light fixture through the holes in the middle of the rubber washer and switch cover (starting with one by one). Threaded the light fixture onto the switch cover and make sure the pull chain hole on the switch cover is nearest to the one of light fixture and pass it into the hole. Add the lock washer and hex nut (2) onto the inside of the switch cover and tighten securely. (Fig. 22)

Step 3. Connect the BLACK wire connectors from the light fixture and switch cover by pushing them together. Follow the same procedure with the WHITE wire connectors. (Fig. 22)

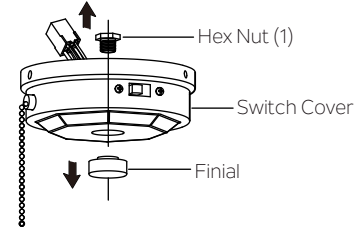


Fig. 21

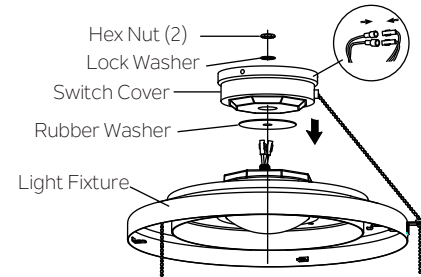


Fig. 22

TROUBLESHOOTING

Problem

Solution

Fan will not start.

1. Check circuit fuses or breakers.
2. Check all electrical connections to insure proper contact. **CAUTION:** Make sure the main power is OFF when checking any electrical connection.
3. Make sure the transmitter batteries are installed properly. Postive (+) side facing out.
4. Insure the batteries have a good charge.

Fan sounds noisy.

1. Make sure all motor housing screws are snug.
2. Make sure the screws that attach the fan blade brackets to the motor are tight.
3. Make sure wire nut connections are not rubbing against each other or the interior wall of the switch housing. **CAUTION:** Make sure main power is off.
4. Allow a 24-hour "breaking-in" period. Most noise associated with a new fan disappear during this time.
5. If using an optional light kit, make sure the screws securing the glassware are tight. Make sure the light bulbs are not touching any other component.
6. Do not connect this fan to a wall mounted variable speed control(s). They are not compatible with ceiling fan motors or remote controls.
7. Make sure the upper canopy is a short distance from the ceiling. It should not touch the ceiling.

TROUBLESHOOTING

Problem	Solution
Fan wobble.	<ol style="list-style-type: none"><li data-bbox="493 343 1342 373">1. Check that all blade and blade arm screws are secure.<li data-bbox="493 373 1342 517">2. Most fan wobbling problems are caused when blade levels are unequal. Check this level by selecting a point on the ceiling above the tip of one of the blades. Measure this distance. Rotate the fan until the next blade is positioned for measurement. Repeat for each blade. The distance deviation should be equal within 1/8".<li data-bbox="493 517 1342 547">3. Use the enclosed Blade Balancing Kit if the blade wobble is still noticeable.<li data-bbox="493 547 1342 632">4. If the blade wobble is still noticeable, interchanging two adjacent (side by side) blades can redistribute the weight and possibly result in smoother operation.
Remote control malfunction.	<ol style="list-style-type: none"><li data-bbox="493 686 1342 772">1. Check Fans with remote control systems CAN NOT be operated in conjunction with any other control system EXCEPT a basic On/Off wall switch, if desired.

KICHLER®

www.kichler.com

KICHLER® LIGHTING

7711 EAST PLEASANT VALLEY ROAD P.O. BOX 318010

CLEVELAND, OHIO 44131-8010

CUSTOMER SERVICE 866.558.5706

8:30 AM TO 5:00 PM EST, MONDAY - FRIDAY