

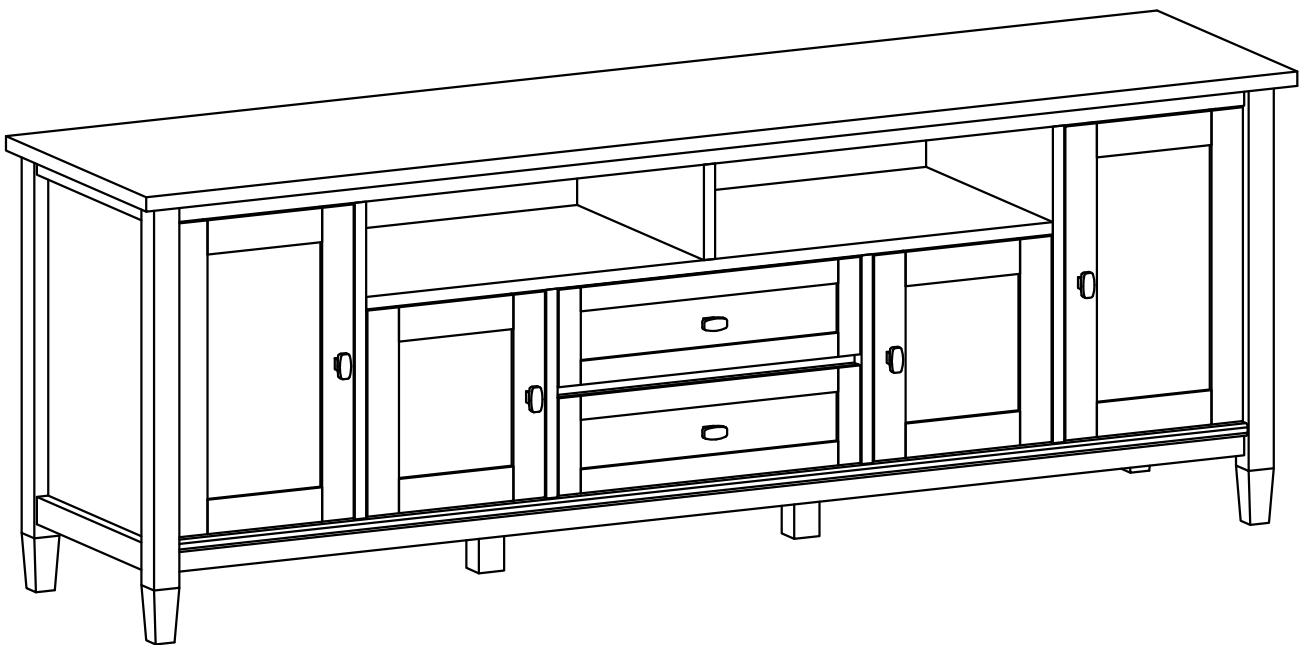
SIMPLI™
H O M E

Wyndent Hall™
HOME DECOR
brooklyn + max™

WARM SHAKER / NORFOLK / LEXINGTON

72 INCH TV MEDIA STAND

MODEL # AXWSH003-72-GR





**FOR REPLACEMENT PARTS OR HELP WITH
ASSEMBLY PLEASE CONTACT US AT:
simpli-home.com/customer-support
PLEASE ENSURE TO HAVE THE MODEL #
FROM THE PACKAGING OR INSTRUCTION BOOKLET**

**TO RETURN THE PRODUCT:
PLEASE CONTACT THE RETAILER
WHERE THE ITEM WAS PURCHASED FROM**

SIMPLI[™]
H O M E

WyndenHall[™]
HOME DECOR
brooklyn + max[™]

**ENTER
TO WIN**

**Upload an image of our furniture
in your home with a short review
to our facebook page for a chance to**

**Win up to \$3000 of
Simpli Home furniture!!!**

www.facebook.com/simplihomefurnishings



IMPORTANT : Please read this manual carefully before beginning assembly of this product. Keep this manual for future reference.

SAFETY INFORMATION

Identify all the parts and hardware. Do not discard of the packaging until you have checked that you have all of the parts and hardware required. Hardware package may have spare parts.

WARNING: This item contains small parts which can be swallowed by children and pets. Keep children and pets away during assembly. To avoid danger of suffocation, always keep plastic bags away from children and pets. We recommend that you assemble this unit on a carpeted floor to avoid scratches. If using power tools, set the tool to low torque to avoid damage.

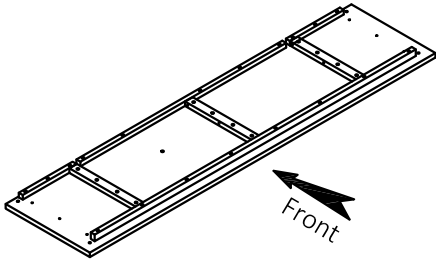
May require 2 people for ease of assembly.

CARE and MAINTENANCE

To clean, use a soft or slightly damp cloth, then wipe with a clean, dry cloth. Dust with soft dry cloth.
Do not use ammonia-based cleaning products, as they will damage the finish. Do not leave liquids or damp cloths on this furniture.
To avoid dulling of the finish, do not place furniture in direct sunlight. Please inspect and tighten all screws or bolts on a regular basis to ensure proper performance and safety of your item.

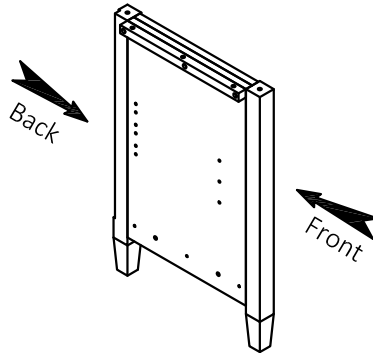
PART DESCRIPTION

A



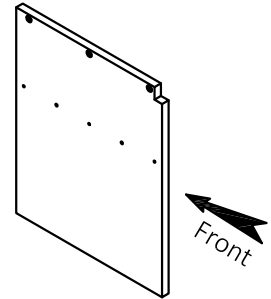
TOP
QTY 1

B



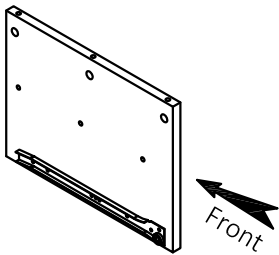
SIDE
QTY 1 PAIR

C



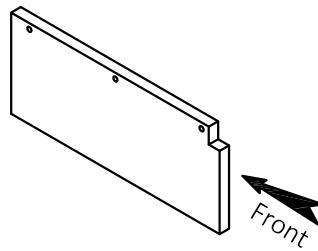
DIVIDER
QTY 1PAIR

D



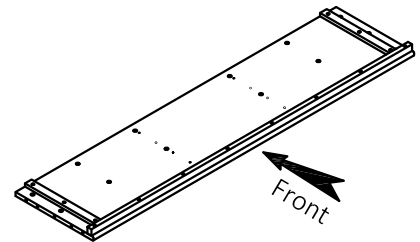
MIDDLE DIVIDER
QTY 1 PAIR

E



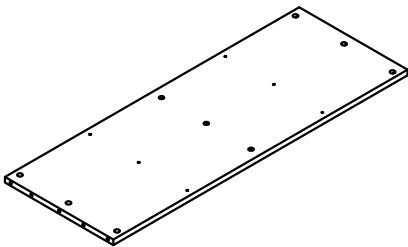
TOP DIVIDER
QTY 1

F



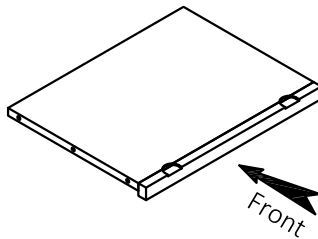
BOTTOM SHELF
QTY 1

G



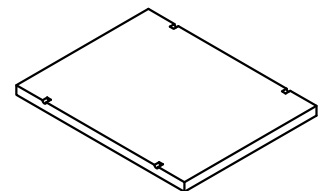
TOP SHELF
QTY 1

H



CENTRE SHELF
QTY 1

I

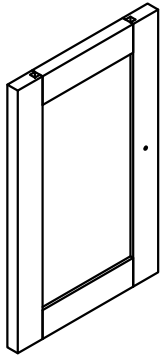


SHELF
QTY 2

NEED HELP? For help with assembly or if you are missing a part,
Please call customer service at 1-866-518-0120 ext. 262 (9 am to 4 pm EST)

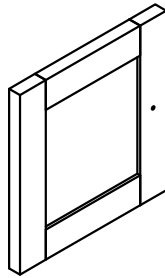
PART DESCRIPTION

J



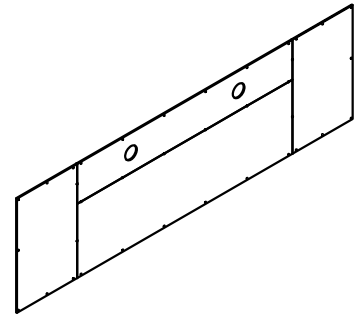
LARGE DOOR
QTY 2

K



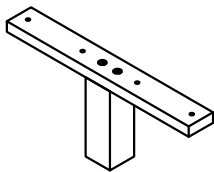
SMALL DOOR
QTY 2

L



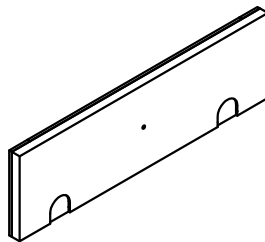
BACK PANEL
QTY 1 SET

M



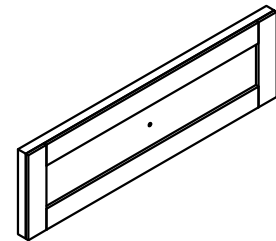
BOTTOM SUPPORT LEG
QTY 2

N



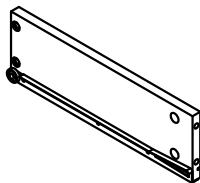
FLIP DOWN DOOR
QTY 1

O



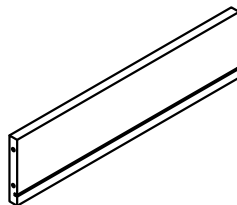
DRAWER FRONT
QTY 1

P



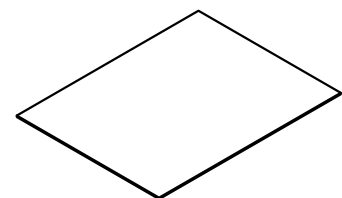
DRAWER SIDE
QTY 1PAIR

Q



DRAWER BACK
QTY 1

R



DRAWER BOTTOM
QTY 1

NEED HELP? For help with assembly or if you are missing a part,
Please call customer service at 1-866-518-0120 ext. 262 (9 am to 4 pm EST)

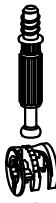
HARDWARE DESCRIPTION

1



ALLEN KEY SCREW
M6 X 30mm
QTY 34

2



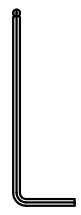
CAM LOCK PIN
CAM LOCK
QTY 22 SETS

3



WOOD DOWEL
Ø8 X 30mm
QTY 28

4



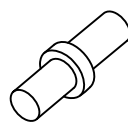
ALLEN KEY
QTY 1

5



PHILLIPS SCREW
ROUND HEAD
M4 X 15mm
QTY 36

6




SHELF SUPPORT
QTY 12

7



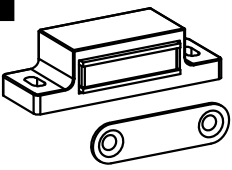
HANDLE
M4 X 25 mm
QTY 6 SETS

8



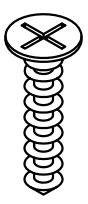
PHILLIPS SCREW
M3 X 15mm
QTY 16

9



MAGNET AND PLATE
QTY 4 SETS

10




PHILLIPS SCREW
M4 X 15mm
QTY 48

11



ADJUSTABLE HINGE
QTY 8

12



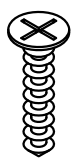
PHILLIPS SCREW
M3.5 X 15mm
QTY 12

13



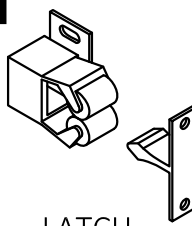
HINGE
QTY 2

14



PHILLIPS SCREW
M3 X 12mm
QTY 4

15



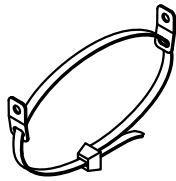
LATCH
QTY 1




16



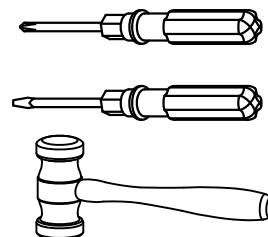
PHILLIPS SCREW
M4 X 25mm
QTY 8

17



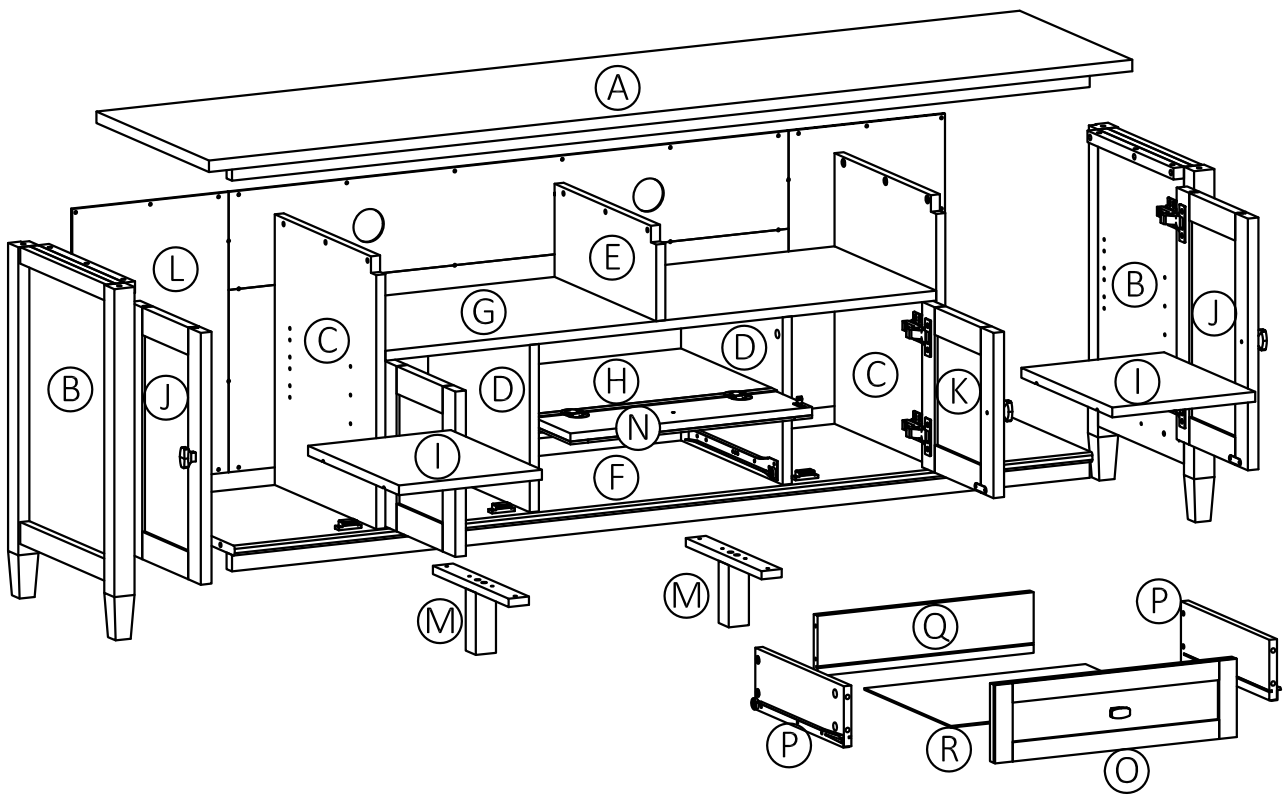
a.  M4 X 25mm - QTY 1
b.  M4 X 15mm - QTY 1
c.  M4 X 25mm - QTY 1

TIPPING RESTRAINT
QTY 1 SET

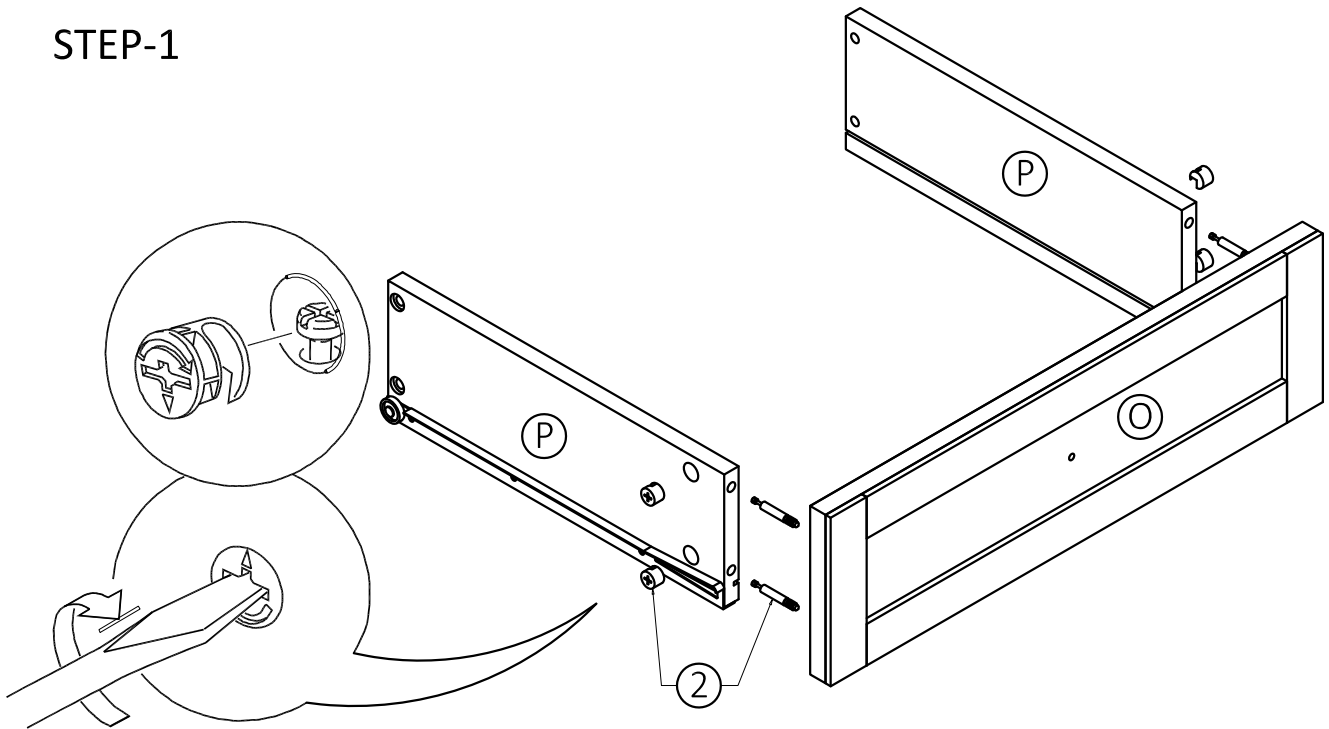


Required -
Flathead screwdriver
Phillips screwdriver
Rubber mallet
Not Included

NEED HELP? For help with assembly or if you are missing a part,
Please call customer service at 1-866-518-0120 ext. 262 (9 am to 4 pm EST)

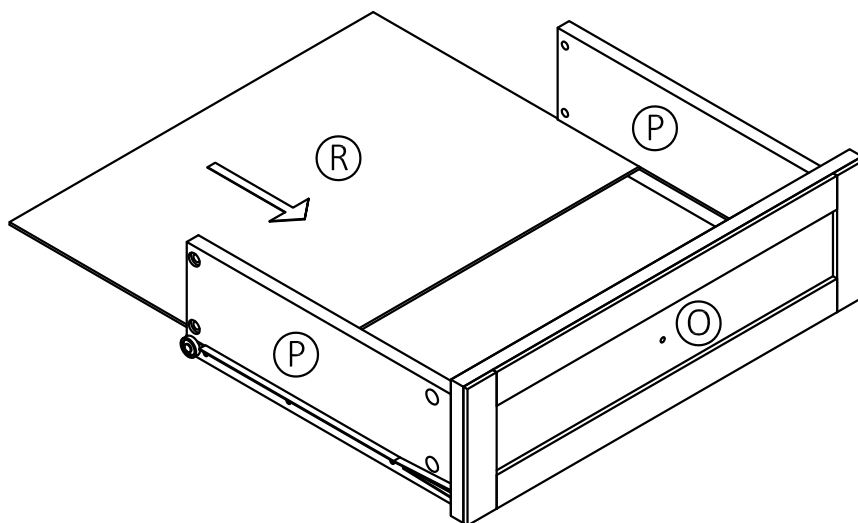


STEP-1



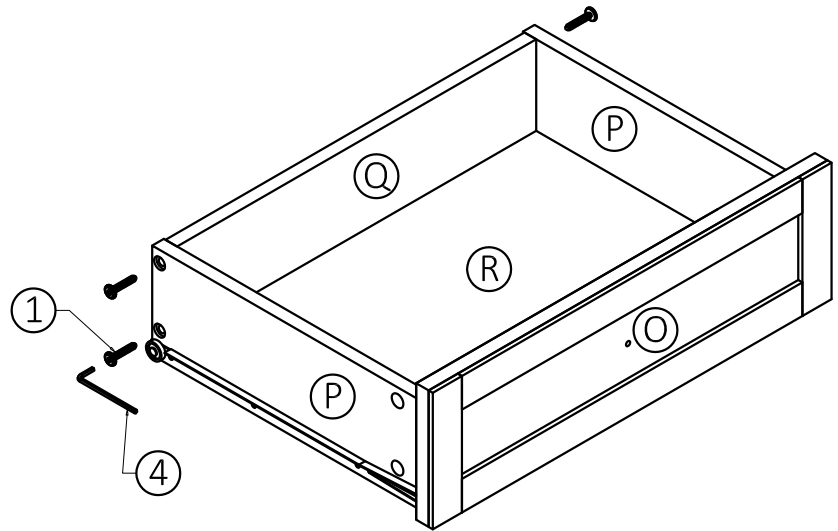
1. Attach 4 Cam Lock Pins (2) to pre-drilled holes at back of Drawer Front (O).
2. Align Cam Lock Pins with pre-drilled holes and attach Drawer Side (P).
3. Insert 2 Cam Locks (2) into pre-drilled holes on each Drawer Side (P).
4. Use flathead screwdriver secure Cam Locks.

STEP-2



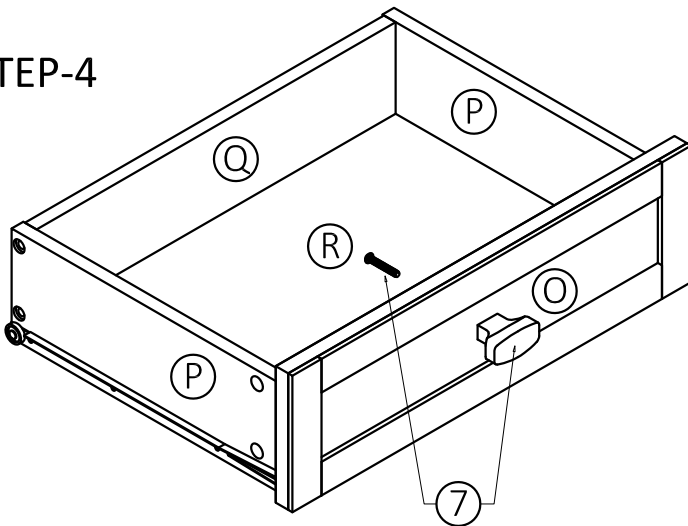
1. Slide Drawer Bottom (R) firmly into slots on Drawer Sides (P) and Drawer Front (O).

STEP-3



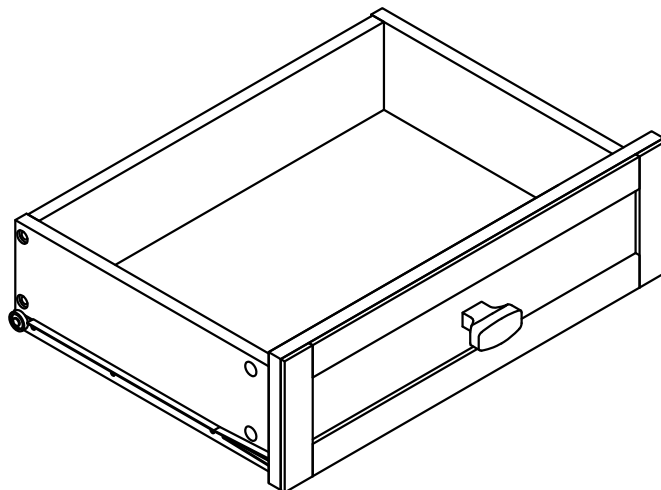
1. Align Drawer Back (Q) with Drawer Bottom (R) and press firmly into slot.
2. Attach Drawer Back (Q) using 2 Allen Key Screws (1) through pre-drilled holes on each Side (P).
3. Use Allen Key (4) to tighten screws. Do not over-tighten.

STEP-4

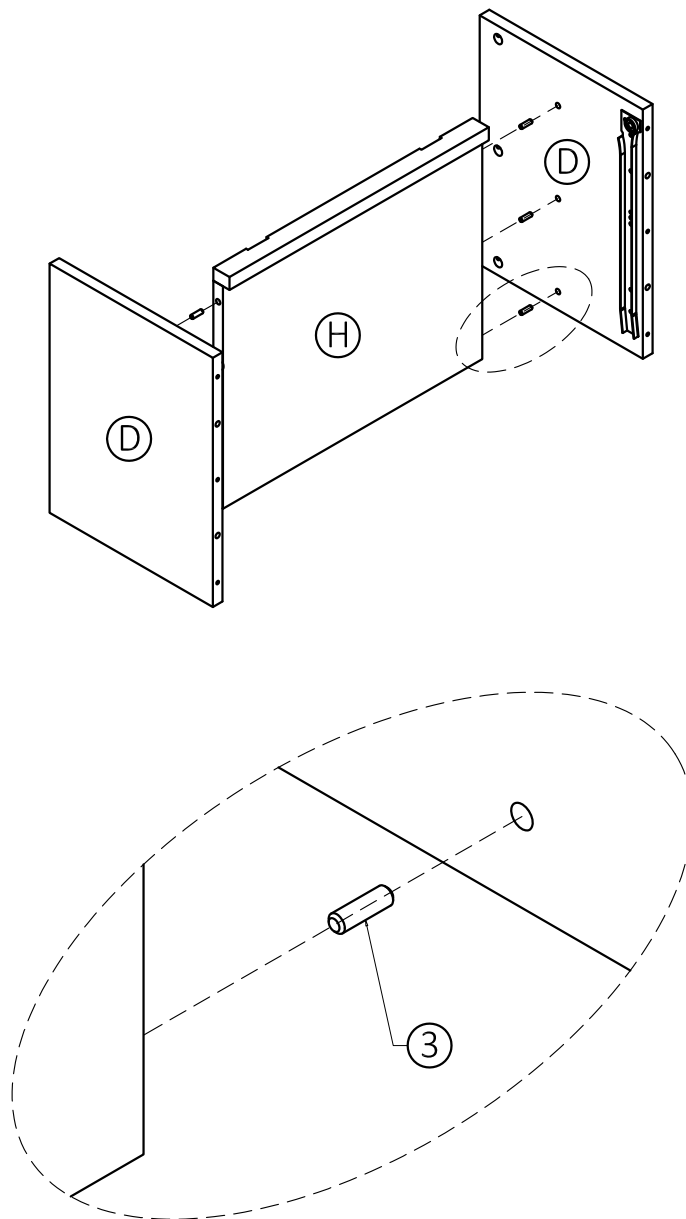


NOTE: The screwdriver is not included in the hardware pack.

1. Use Phillips screwdriver to attach Handle (7) to Drawer Front (O).

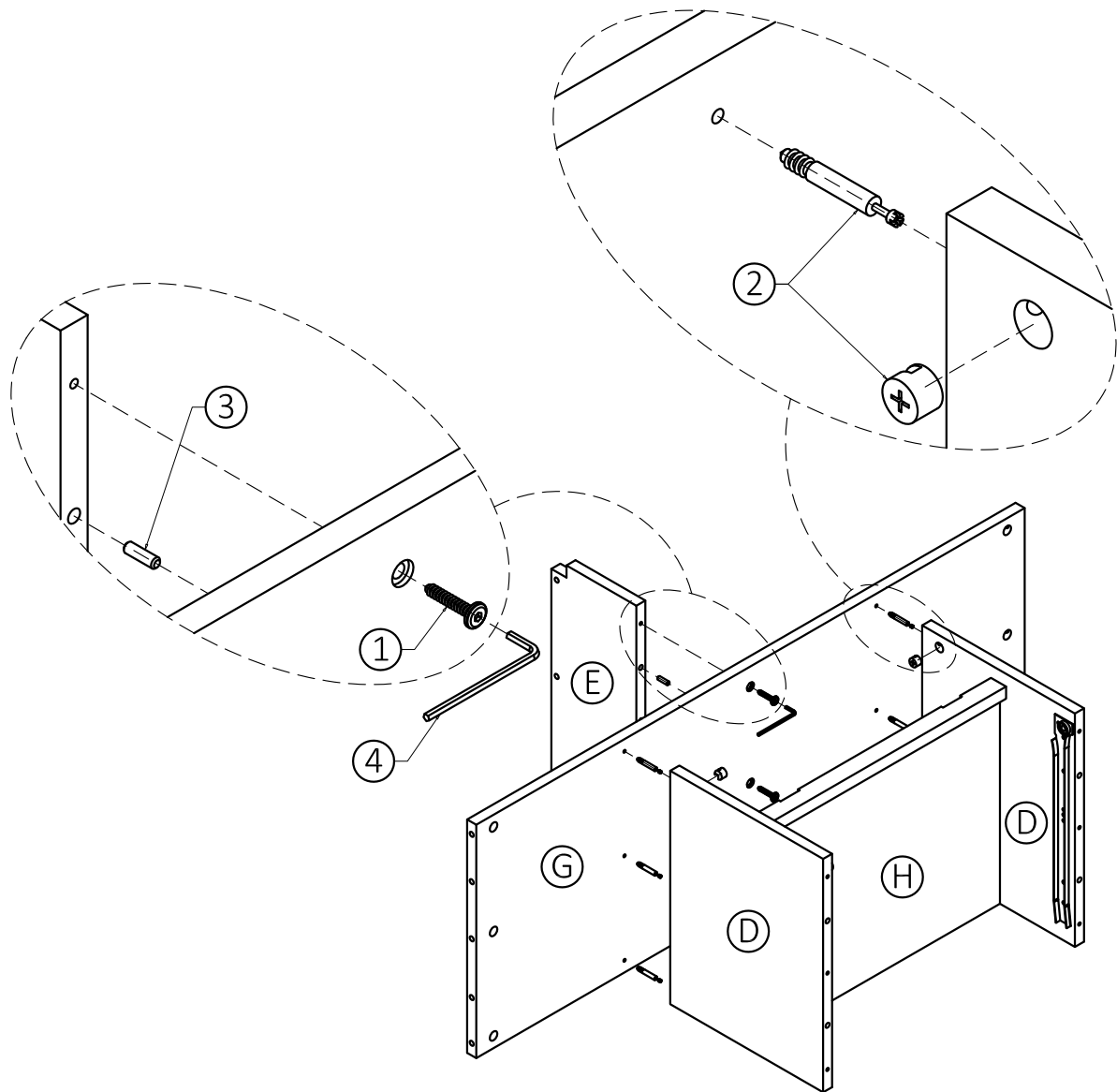


STEP-5



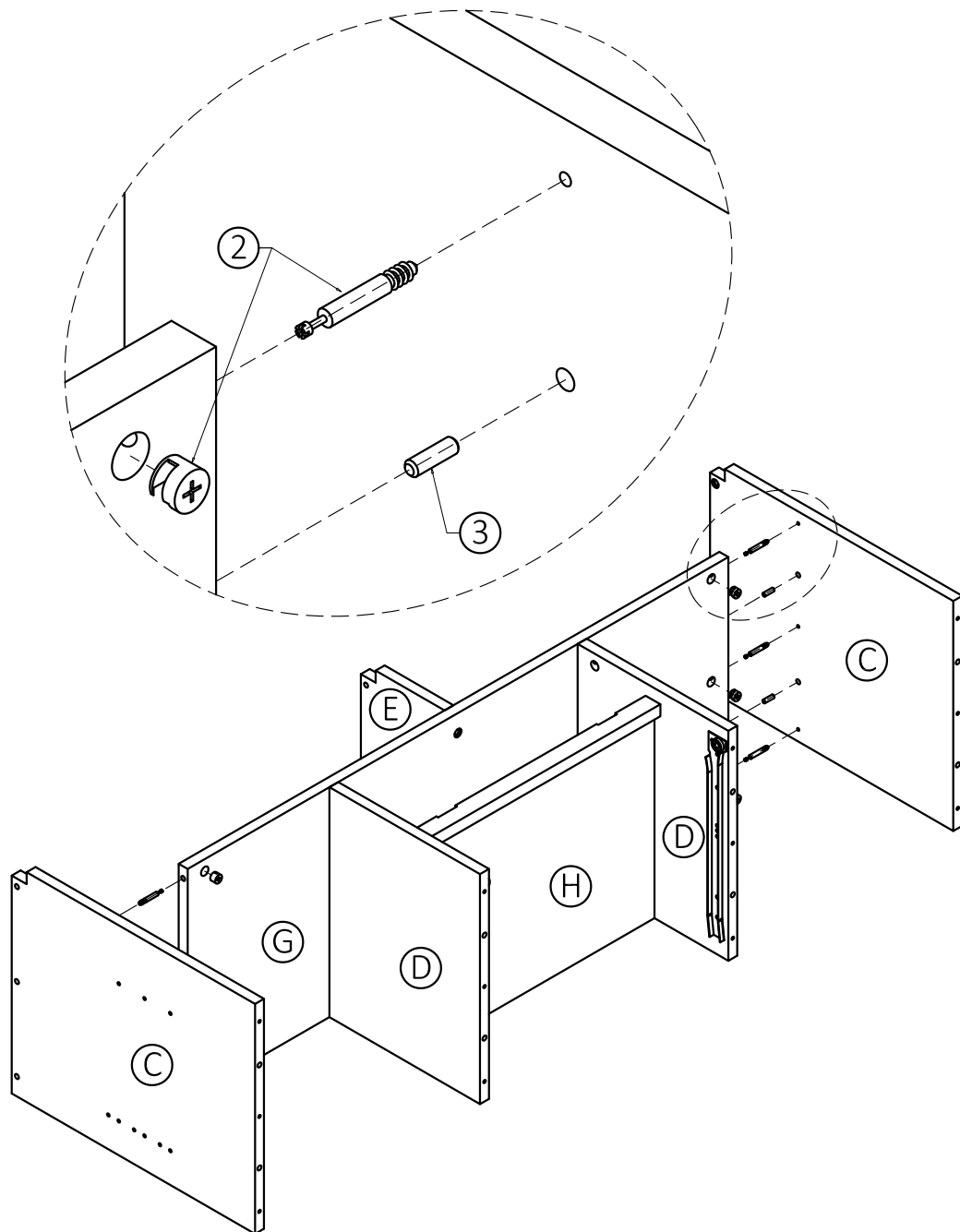
1. Insert 6 Dowels (3) into pre-drilled holes on Centre Shelf (H).
2. Use rubber mallet to tap Dowels (3) into bottom of holes securely. 1/2 length of Dowels should be exposed.
3. Attach Centre Shelf (H) to Middle Dividers (D).
4. Use rubber mallet to tap Middle Dividers (D) into Centre Shelf (H).

STEP-6



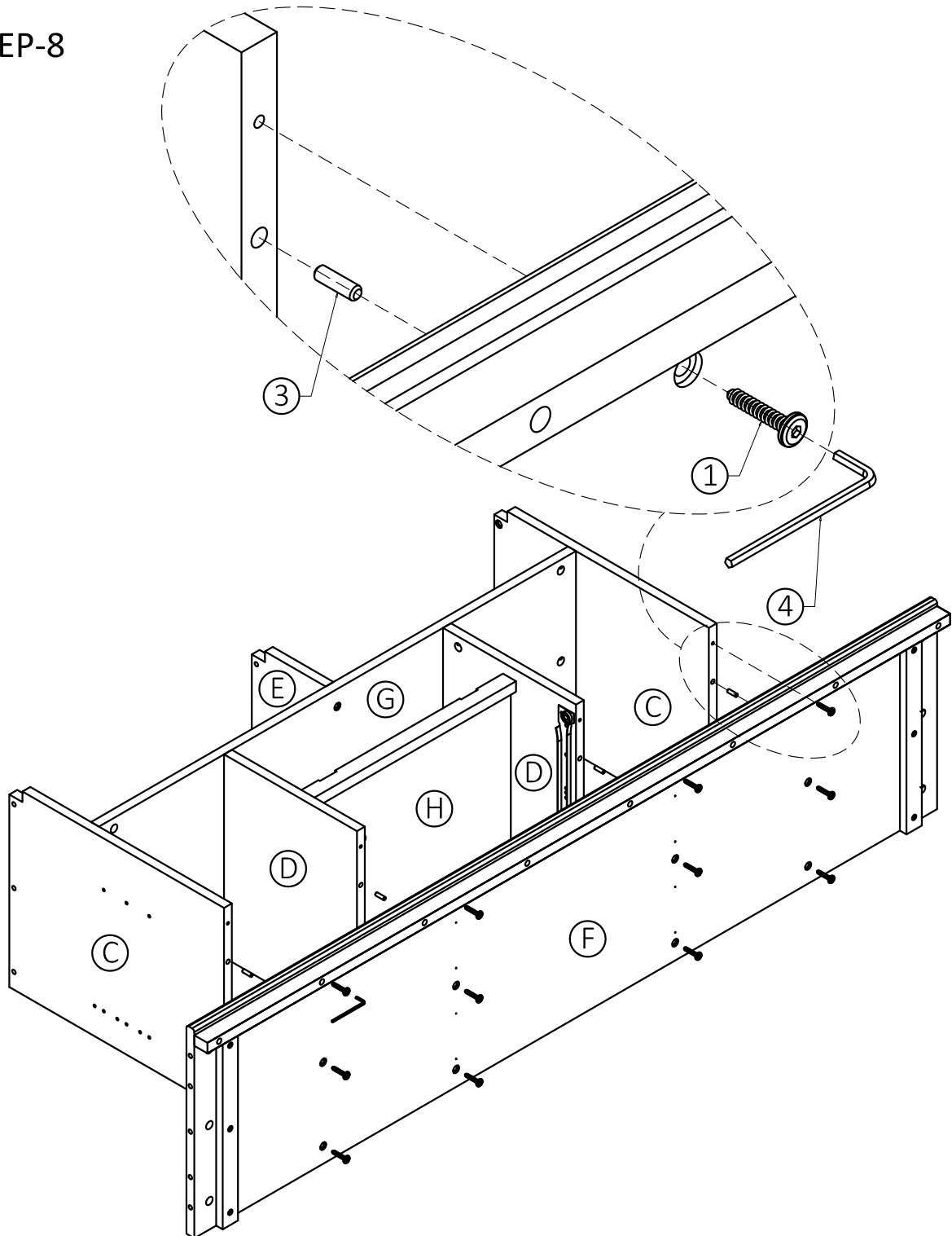
1. Insert 2 Dowels (3) into pre-drilled holes on bottom of Top Divider (E).
2. Use rubber mallet to tap Dowels (3) into bottom of holes securely. 1/2 length of Dowels should be exposed.
3. Attach Top Shelf (G) to Top Divider (E) using 3 Allen Key Screws (1).
4. Use Allen Key (4) to tighten Screws. Do not over-tighten.
3. Attach 6 Cam Lock Pins (2) to Top Shelf (G) using guide holes.
4. Align Cam Lock Pins with pre-drilled holes on Middle Dividers (D).
5. Insert 6 Cam Locks (2) into pre-drilled holes on Middle Dividers (D) (3 Cam Locks on each Middle Divider).
6. Use flathead screwdriver secure Cam Locks.

STEP-7



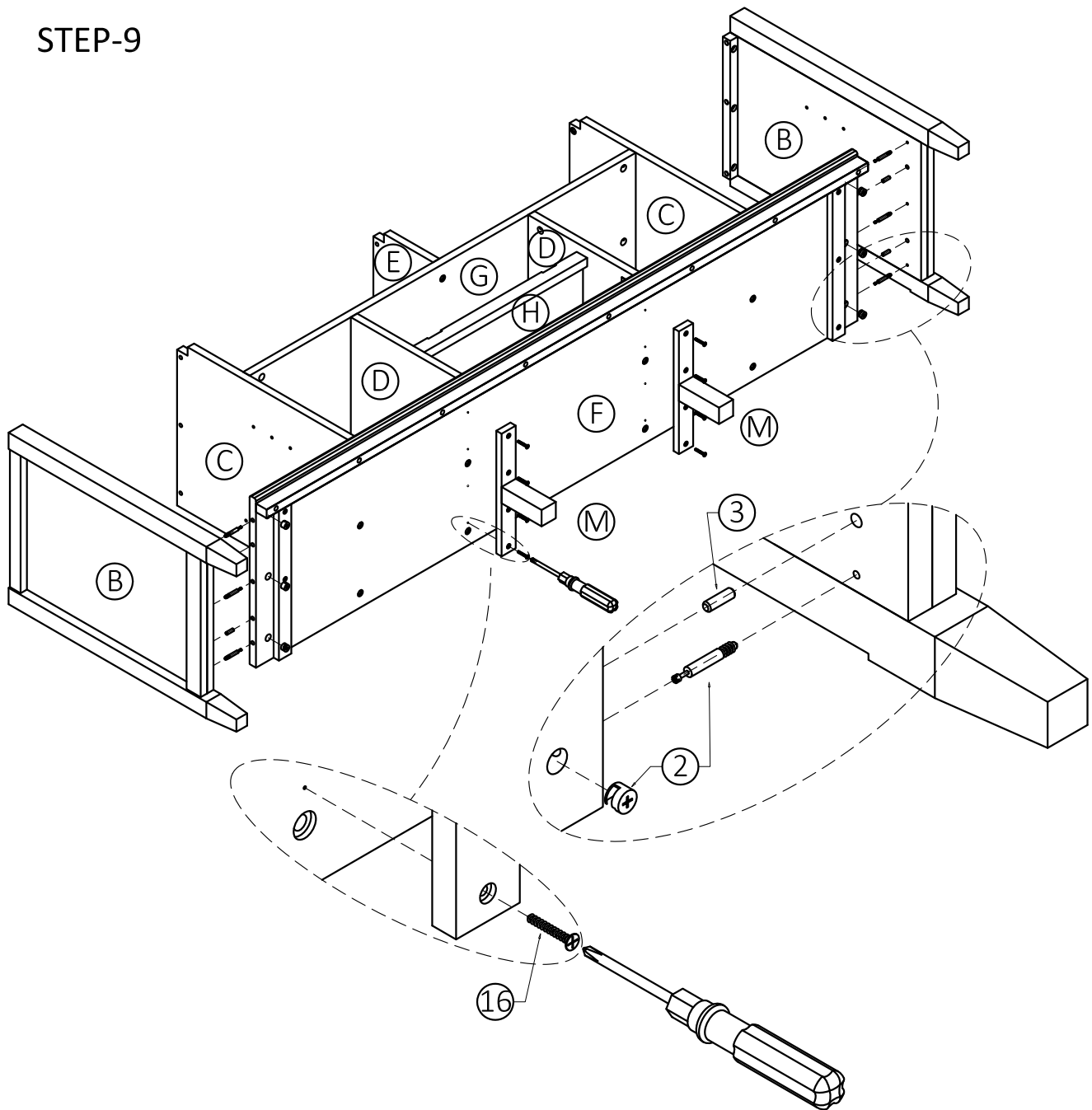
1. Insert 4 Dowels (3) into pre-drilled holes on Top Shelf (G) (2 dowels on each side).
2. Use rubber mallet to tap Dowels (3) into bottom of holes securely. 1/2 length of Dowels should be exposed.
3. Attach 6 Cam Lock Pins (2) to Dividers (C) using guide holes (3 pins on each Divider).
4. Align Cam Lock Pins with pre-drilled holes on Top Shelf (G).
5. Insert 6 Cam Locks (2) into pre-drilled holes on Top Shelf (G) (3 Cam Locks on each side).
6. Use flathead screwdriver secure Cam Locks.

STEP-8



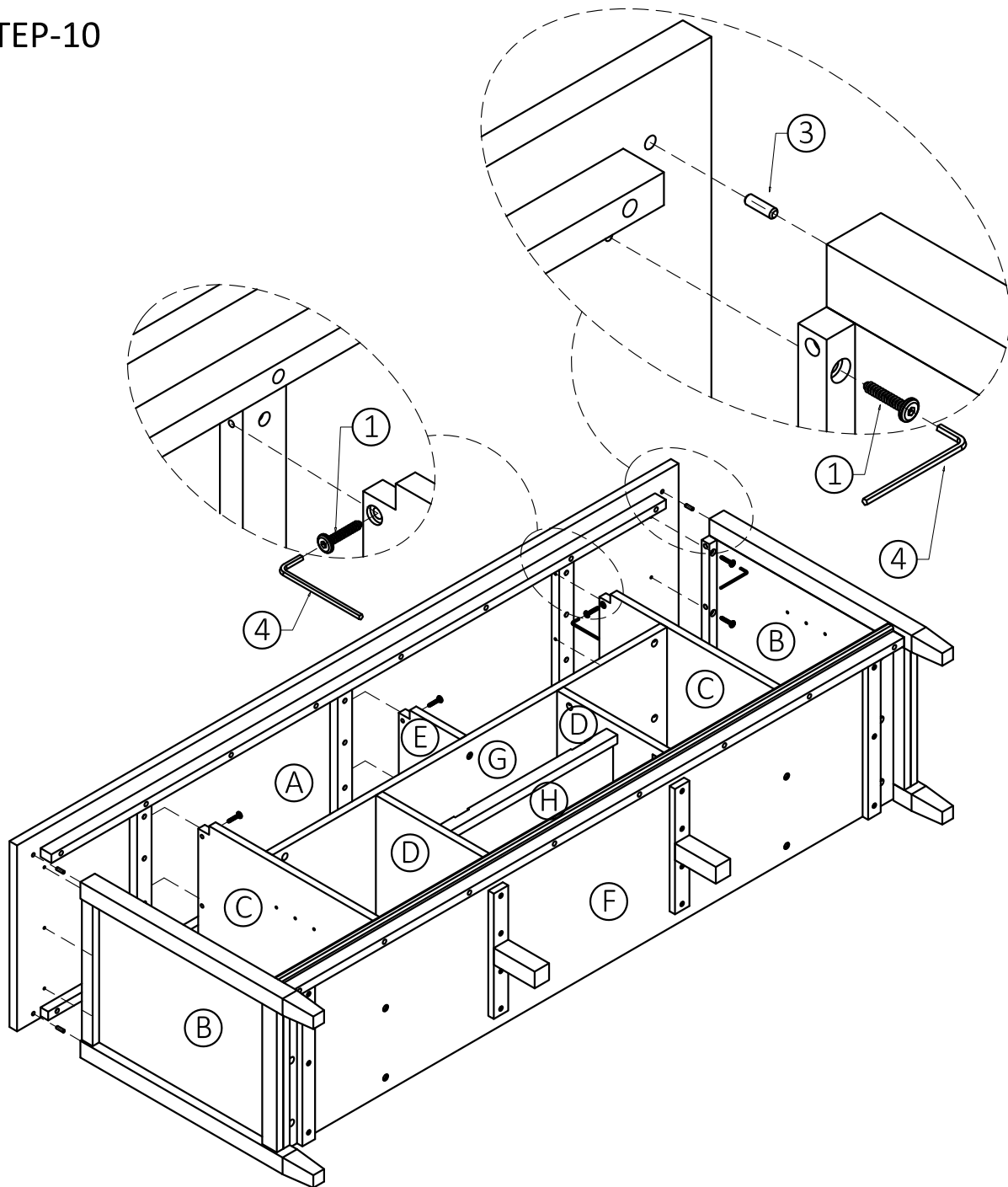
1. Insert 2 Dowels (3) into pre-drilled holes on bottom of each Divider (C) and Middle Divider (D).
2. Use rubber mallet to tap Dowels (3) into bottom of holes securely. 1/2 length of Dowels should be exposed.
3. Attach Bottom Shelf (F) to Dividers (C) and Middle Dividers (D) using 12 Allen Key Screws (1).
4. Use Allen Key (4) to tighten Screws. Do not over-tighten.

STEP-9



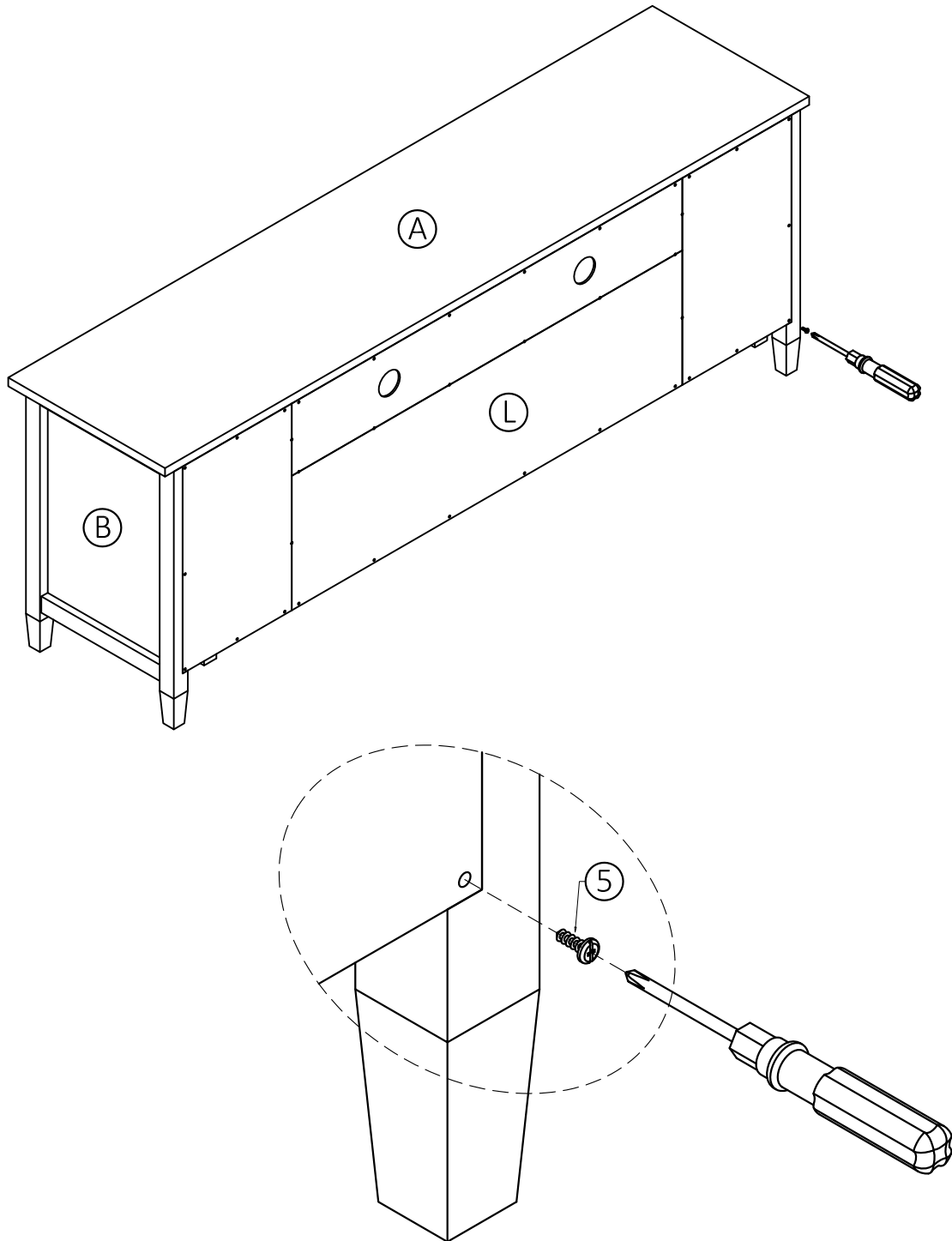
1. Insert 4 Dowels (3) into pre-drilled holes on Bottom Shelf (F).
2. Use rubber mallet to tap Dowels (3) into bottom of holes securely. 1/2 length of Dowels should be exposed.
3. Attach 3 Cam Lock Pins (2) to each Side (B) using guide holes.
4. Align Cam Lock Pins with pre-drilled holes on Bottom Shelf (F).
5. Insert 6 Cam Locks (2) into pre-drilled holes on Bottom Shelf (F).
6. Use flathead screwdriver secure Cam Locks.
7. Attach Bottom Support Legs (M) to Bottom Shelf (F) using 8 Phillips Screws (16) (4 Phillips Screws on each Bottom Support Leg).
8. Use Phillips screwdriver to snugly tighten screw.

STEP-10



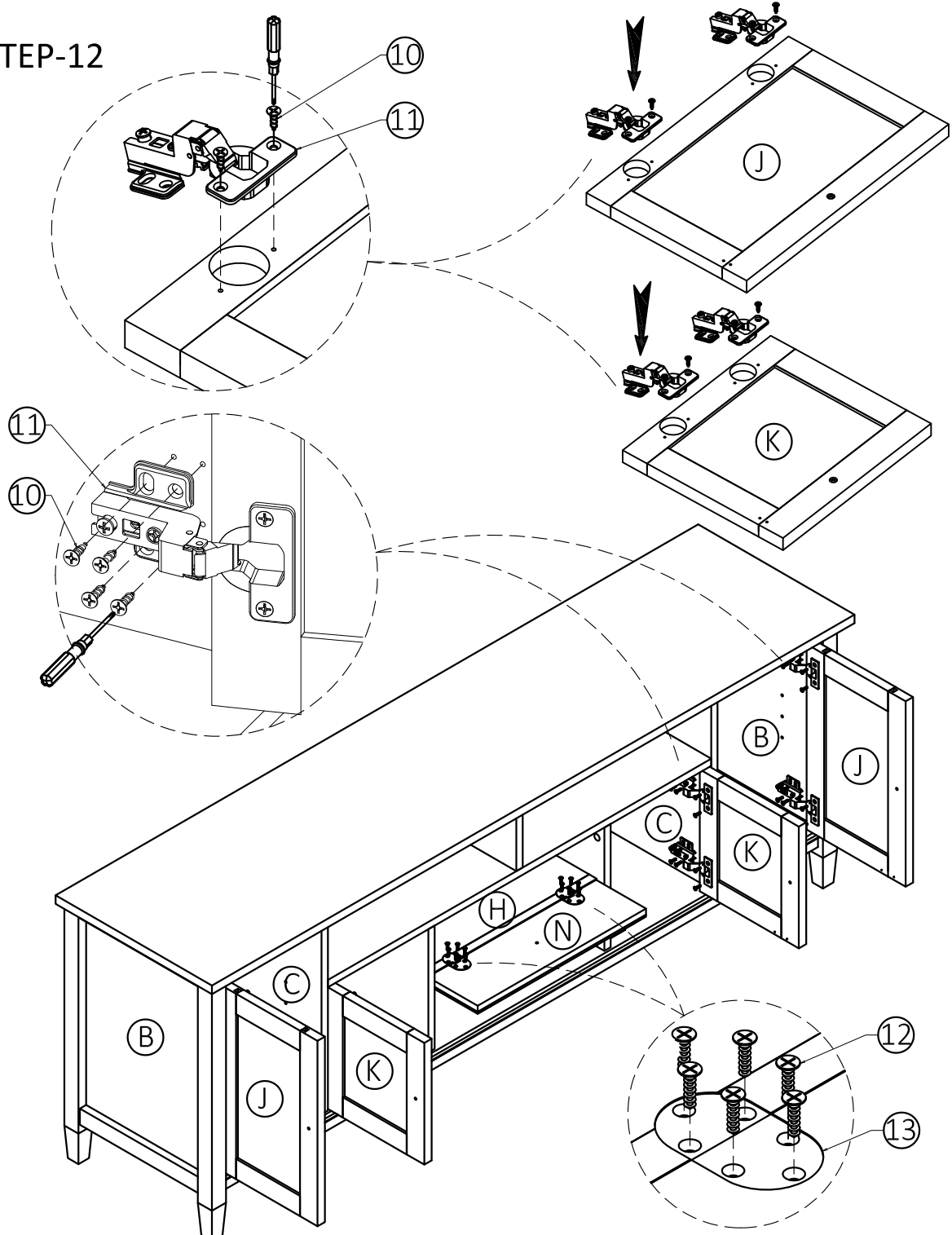
1. Insert 2 Dowels (3) into pre-drilled holes on each Side (B).
2. Use rubber mallet to tap Dowels (3) into bottom of holes securely. 1/2 length of Dowels should be exposed.
3. Attach Top (A) to Sides (B), Dividers (C) and Top Divider (E) using 15 Allen Key Screws (1) (3 screws on each Side and Divider).
4. Use Allen Key (4) to tighten Screws. Do not over-tighten.

STEP-11



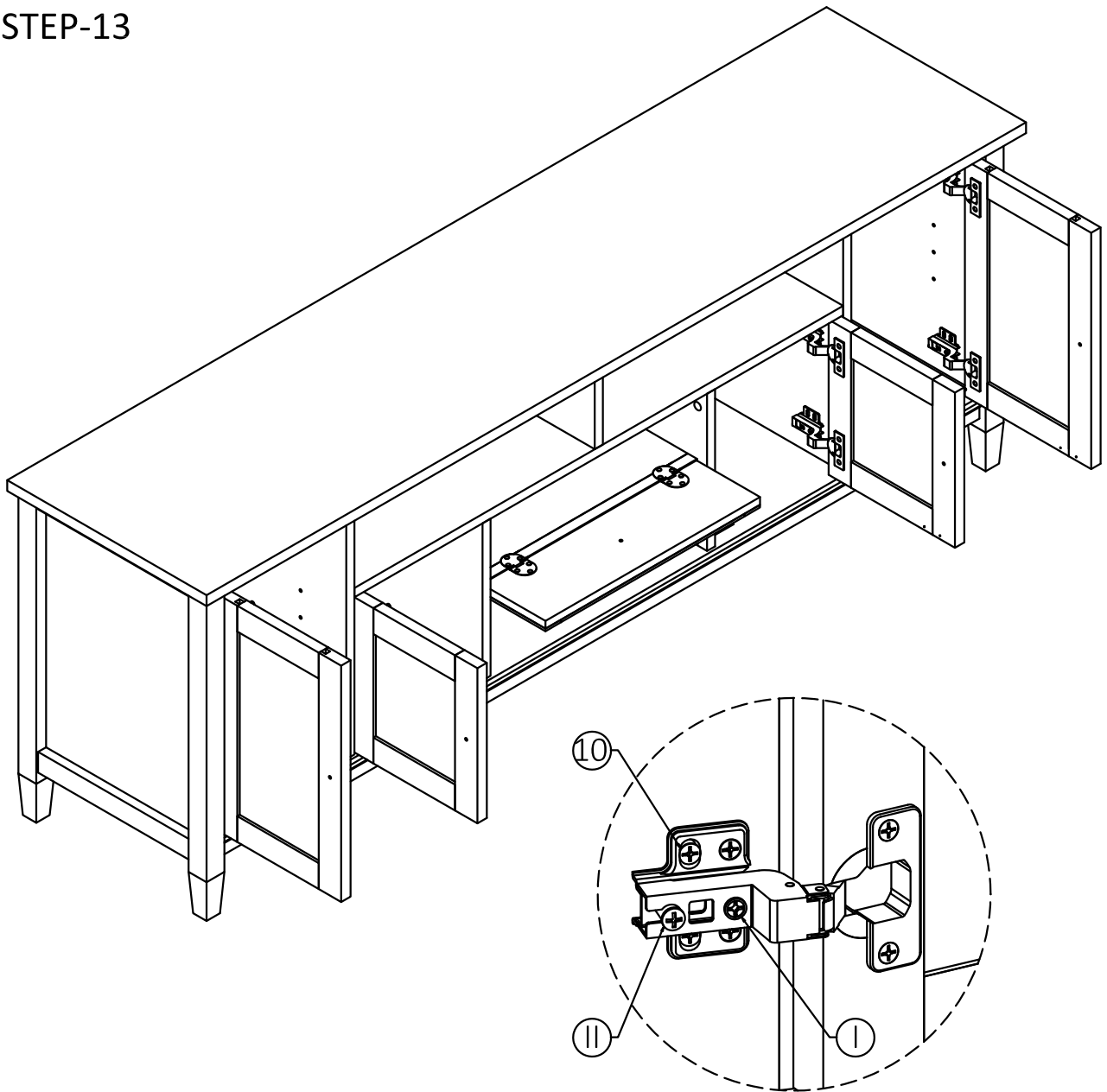
1. Attach Back Panels (L) to back frame of TV using 36 Phillips Screws Round Head (5) through pre-drilled holes.
2. Use Phillips Screwdriver to tighten screws.

STEP-12



1. Attach Adjustable Hinges (11) to Doors (J) and (K) using Phillips Screws (10) into guide holes on Doors (J) and (K).
2. Attach Adjustable Hinges on Doors (J) to Sides (B) using Phillips Screws (10) into guide holes on Sides (B).
3. Attach Adjustable Hinges on Doors (K) to Dividers (C) using Phillips Screws (10) into guide holes on Dividers (C).
4. Attach Hinges (13) to Centre Shelf (H) and Flip Down Door (N) using Phillips Screws (12) into guide holes.
5. Use Phillips Screwdriver to tighten screws.

STEP-13



Tighten the Screw marked ⑪ to fasten hinge. The door may need to be adjusted so that all the spaces between the door and the unit sides are equal.

To adjust, follow instructions:

1. Side adjustment 4 mm

To move the door towards the side panel, loosen screw ① and tighten screw ⑪.

To move the door away from the side panel, loosen screw ⑪ and tighten screw ①.

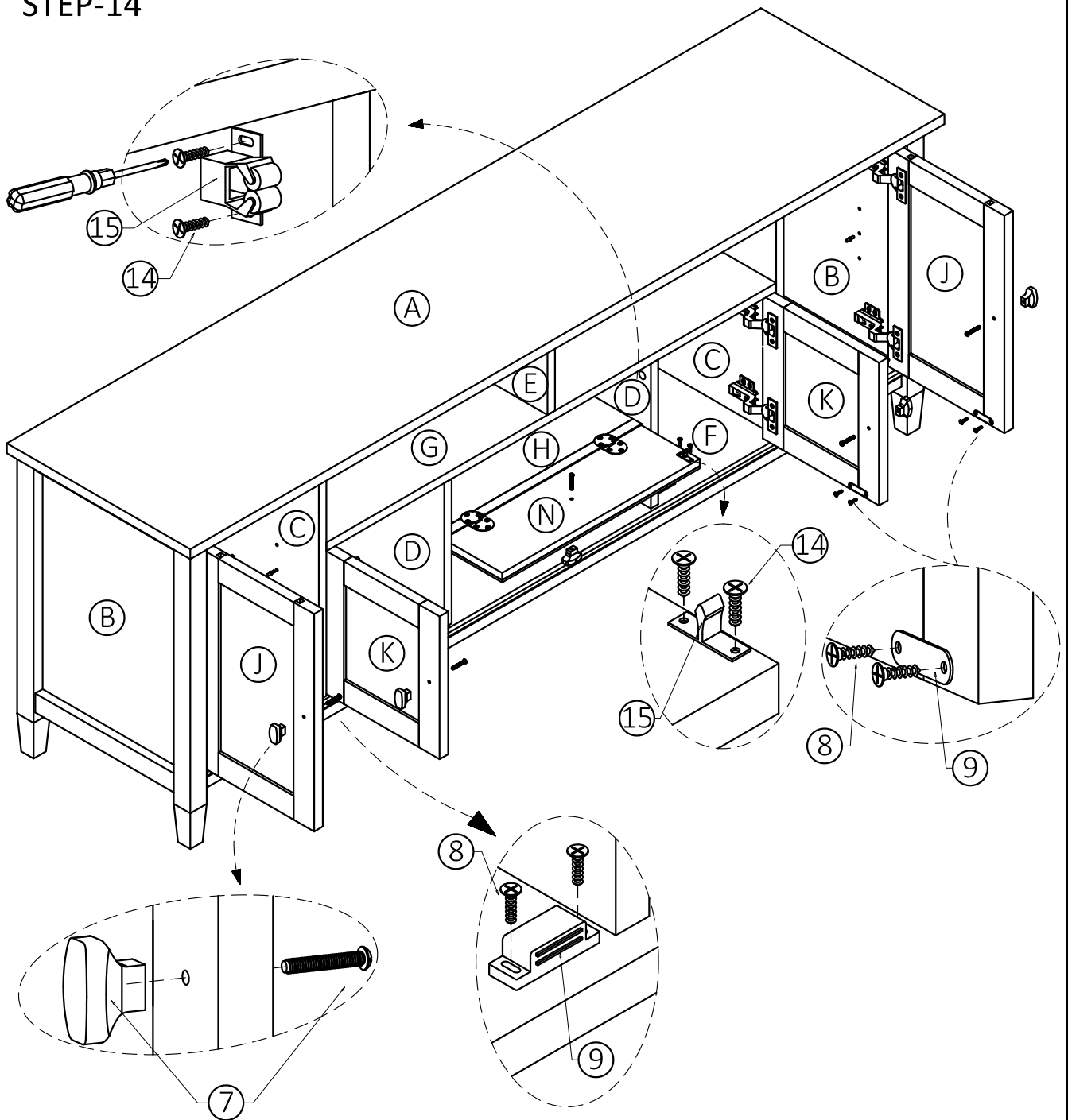
2. Depth adjustment 4 mm

Loosen screw ⑪ (just one turn), adjust door to desired position, re-tighten screw .

3. Height adjustment

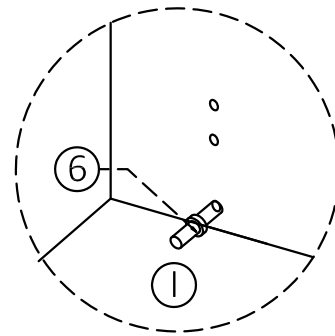
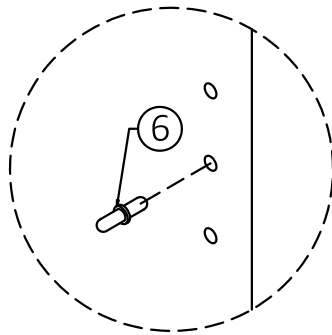
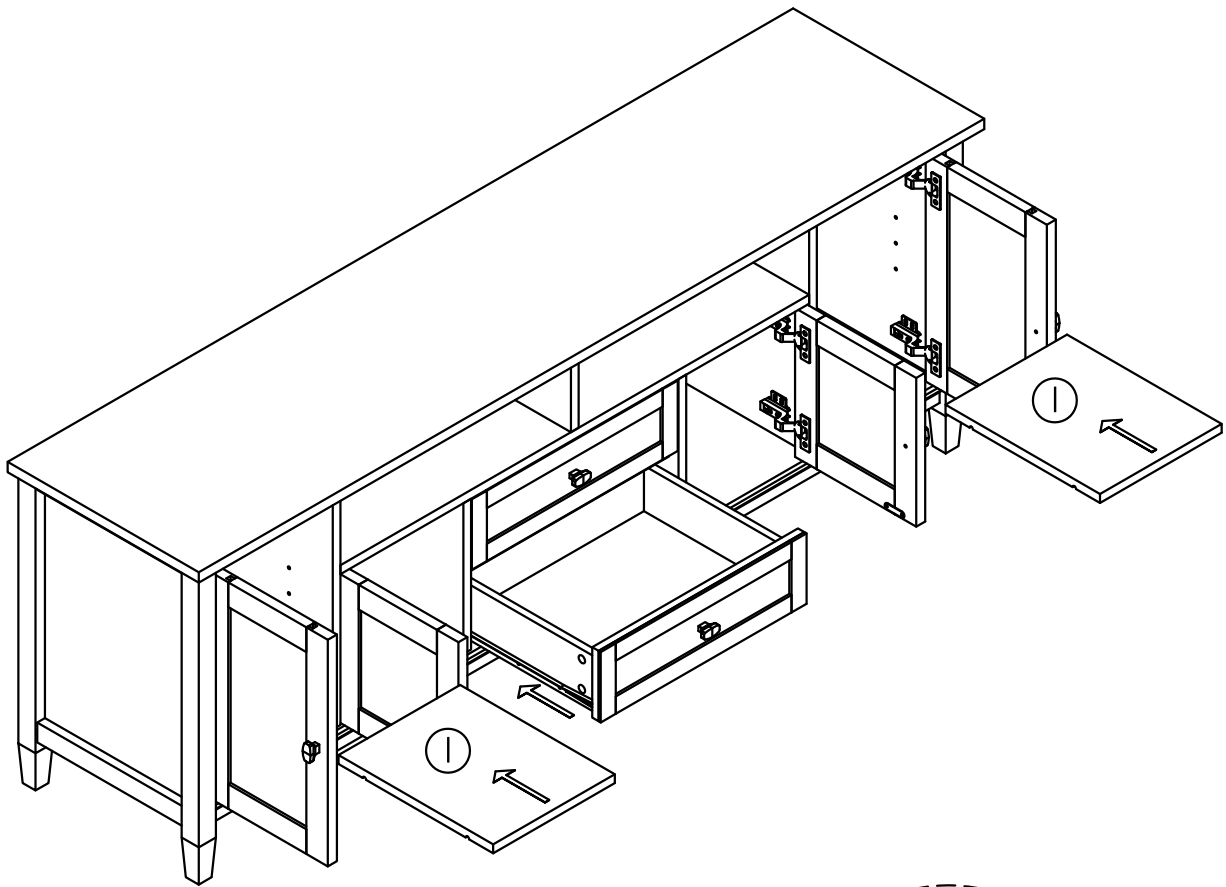
Loosen screw ⑩, adjust door to desired position, re-tighten screw .

STEP-14



1. Attach Magnet Plates (9) to bottom corner of Large Doors (J), Small Doors (K) using Phillips Screws (8) into guide holes on Large Doors (J), Small Doors (K).
2. Attach Magnets (9) using Phillips Screws (8) into guide holes on Bottom Shelf (F).
3. Attach Latch (15) to Flip Down Door (N) using Phillips Screws (14) into guide holes.
4. Attach Latch (15) to Middle Divider (D) using Phillips Screws (14) into guide holes.
5. Use Phillips screwdriver to snugly tighten screw.
6. Use Phillips screwdriver to attach Handles (7) to Large Doors (J), Small Doors (K), Flip Down Door (N).

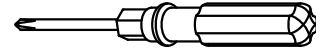
STEP-15



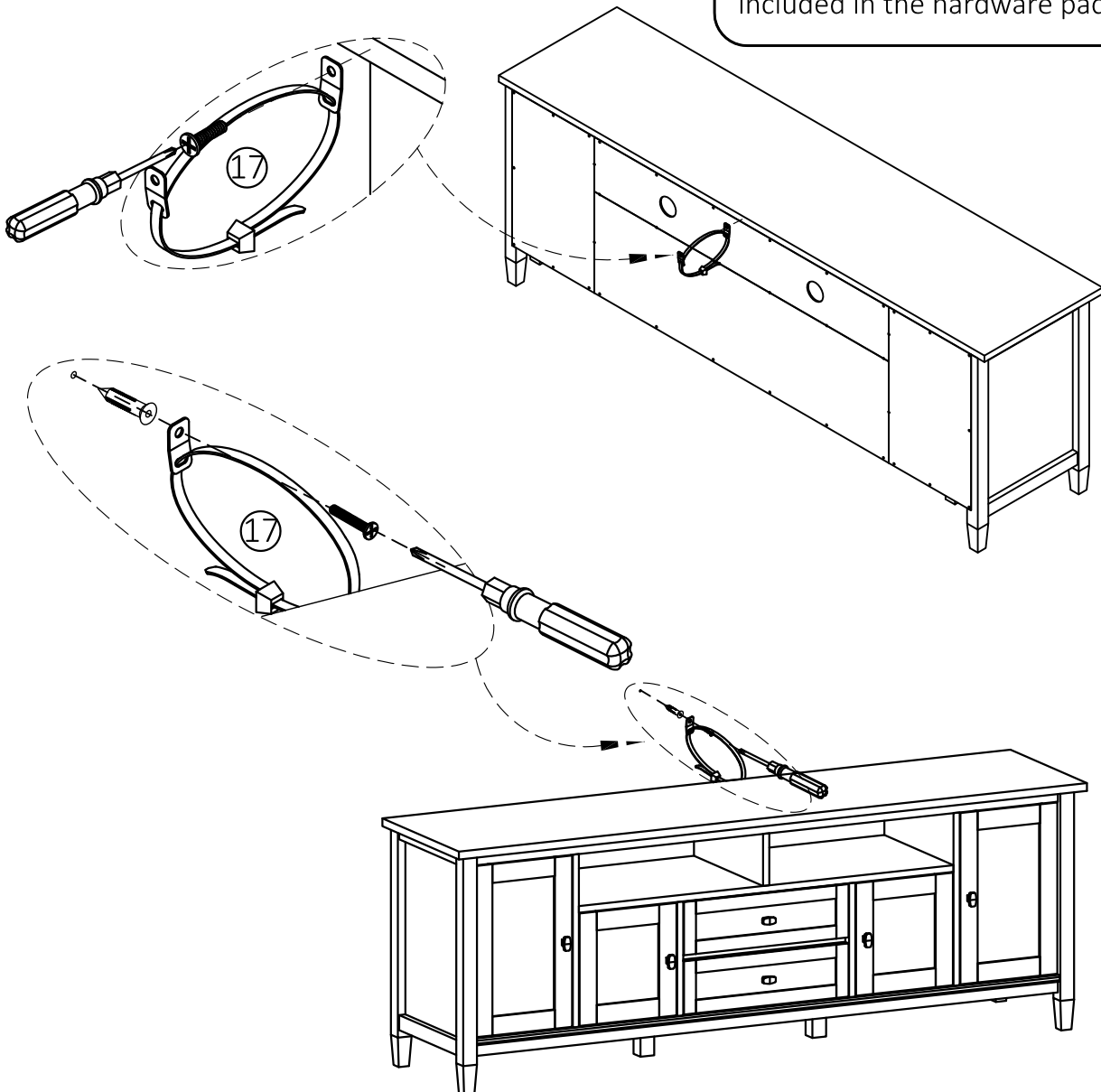
1. Use 4 Shelf Supports (6) for each Shelf (1) in desired location.
2. 2 Shelf Supports (6) may be used on back top of each Shelf (1) as a tipping restraint.
3. Insert assembled drawer into glides on assembled sideboard.

NOTE: Injuries and damage can occur from furniture tip-over. It is important to use the safety bracket included. If the tipping restraint kit is not in the box, please contact our customer service department in order to obtain another kit before using the furniture.

STEP-16



NOTE: The screwdriver is not included in the hardware pack.



1. To attach Tipping Restraint (17), follow instructions on Tipping Restraint package.

When you determined the location for your unit, install the Furniture Tipping restraint. Carefully follow the instructions contained on the package.



WARRANTY

Thank you for purchasing a **Simpli Home – Wyndenhall – Brooklyn + Max** product. These products have been made to demanding, high-quality standards and are guaranteed for domestic use against manufacturing faults for a period of 12 months from the date of purchase. This warranty does not affect your statutory rights.

In case of any malfunction of your product (failure, missing parts, etc.) please contact us at our toll free service line at 1-866-518-0120 ext. 262 from 9 am to 4 pm, Monday to Friday, Eastern Standard Time or by email at [simpli-home.com/customer-support](https://www.simpli-home.com/customer-support).

We reserve the right to repair or replace the defective product, at its discretion.

This product is guaranteed for 12 months if used for normal purposes. Any warranty is invalid if the product has been overloaded or subject to neglect, improper use or an attempted repair by other than an authorized agent. Heavy-duty or daily professional/commercial usage are not guaranteed.

Due to continuous product improvement, we reserve the right to change the product specifications without prior notice.



Questions, problems, missing parts?

Before returning your product
please email Customer Support at
simpli-home.com/customer-support

or call

Customer Support at 1-866-518-0120 ext. 262
Monday to Friday between 9 am – 4 pm EST

For more information visit us on our website
www.simpli-home.com

Like us on facebook
www.facebook.com/simplihomefurnishings