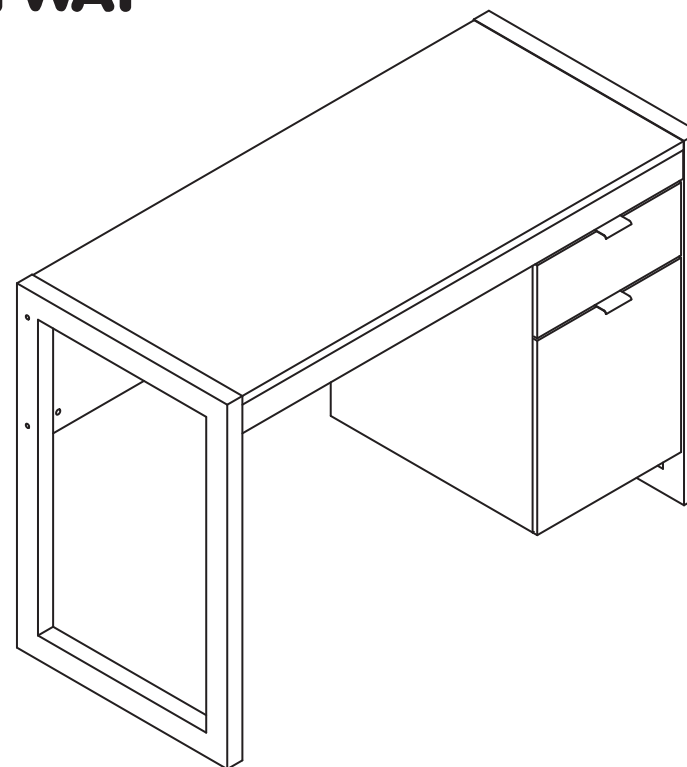


COSTWAY®



USER'S MANUAL

Computer Desk

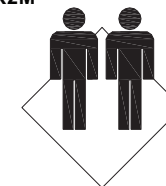
HW65885

THIS INSTRUCTION BOOKLET CONTAINS **IMPORTANT** SAFETY INFORMATION. PLEASE READ AND KEEP FOR FUTURE REFERENCE.

Please give us a chance to make it right and do better!

Contact our friendly customer service department for help first.
Replacements for missing or damaged parts will be shipped ASAP!

**FLOOR AREA
2MX2M**



ASSEMBLED BY 2 ADULTS



Follow Costway
Visit us: www.costway.com



Contact Us!

Do NOT return this item.

Contact our friendly customer service department for help first.

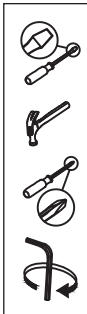


ASSEMBLY VIDEO TIPS

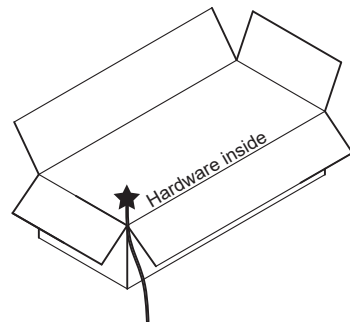


<https://v.costway.com/HW60320>

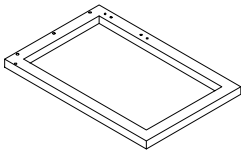
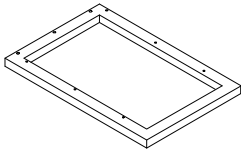
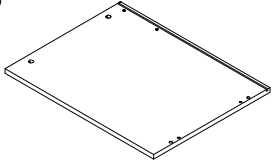
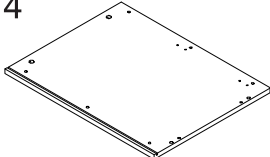
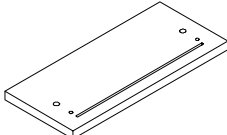
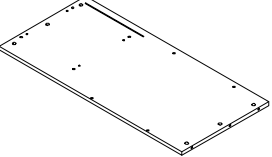
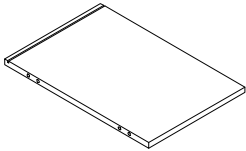

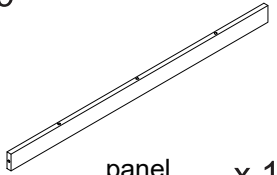
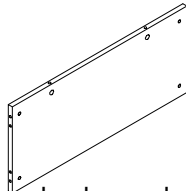
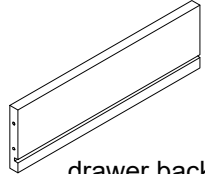
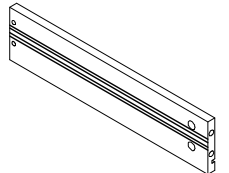
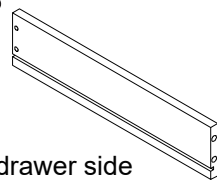
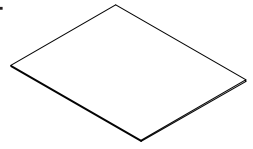
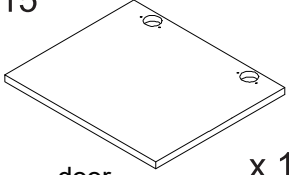
Before You Start



- ⦿ Read each step carefully before starting. It is very important to ensure each step followed in correct order, otherwise assembly difficulties may occur.
- ⦿ Most of board parts are labeled or stamped on the raw edges. Have a check to make sure all parts are included.
- ⦿ Work in a spacious area, preferably on a carpet close to where the unit will be used.
- ⦿ Keep the handtools close at hand. Do not use power tools to assemble your furniture. They may scratch or damage the parts.

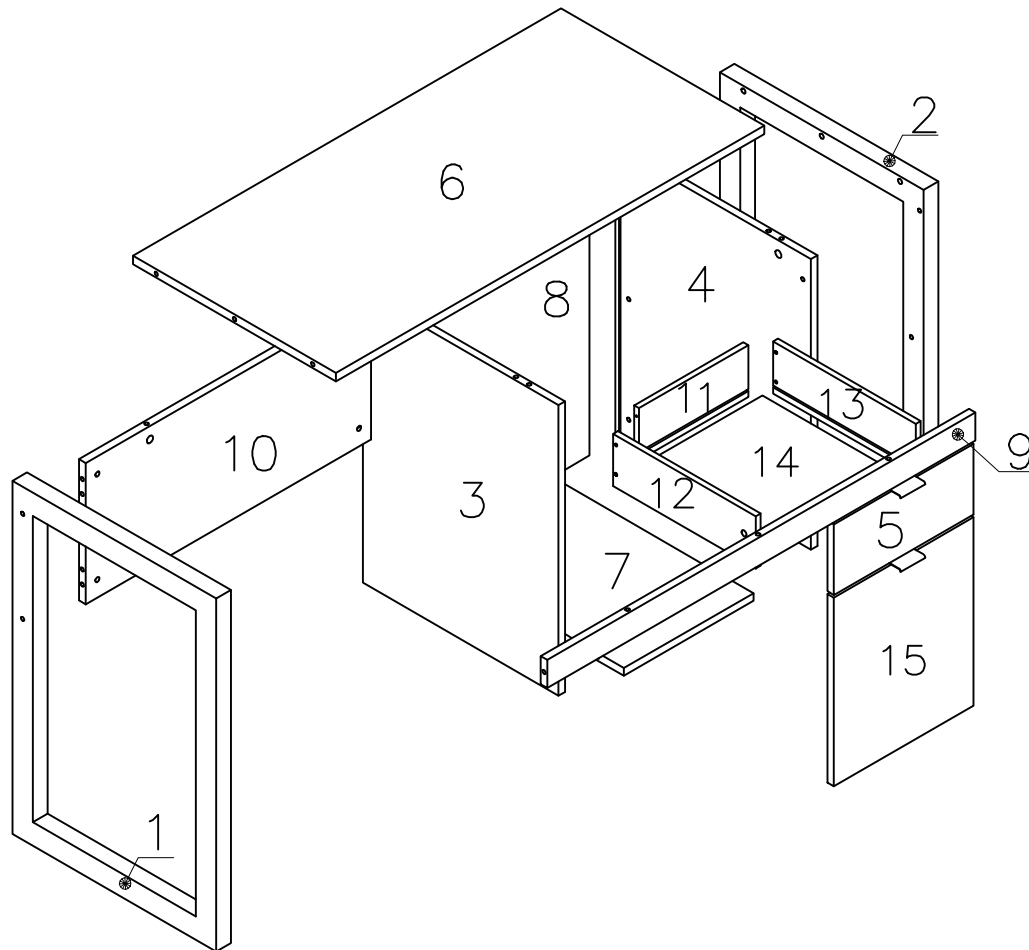


Board Identification

1  left leg x 1	2  right leg x 1	3  side panel x 1
4  side panel x 1	5  drawer panel x 1	6  desk top panel x 1
7  cupboard bottom panel X 1	8  cupboard back panel x 1	9  panel x 1
10  back panel x 1	11  drawer back x 1	12  drawer side x 1
13  drawer side x 1	14  drawer bottom panel X 1	15  door x 1

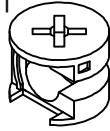
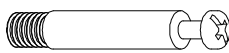
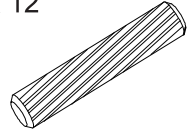





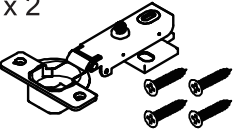


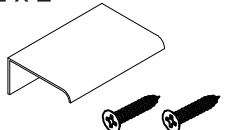
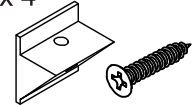
Board Identification

Not actual size



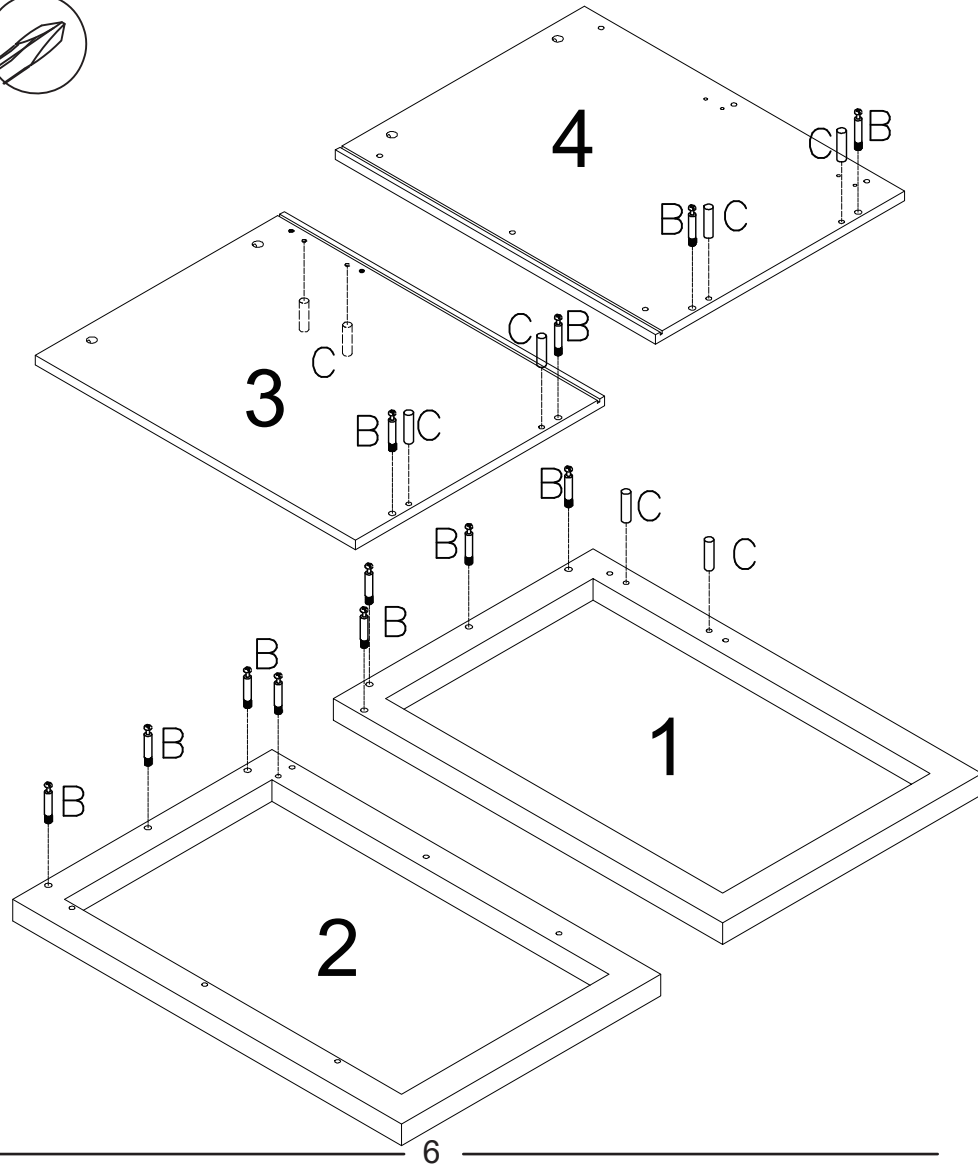
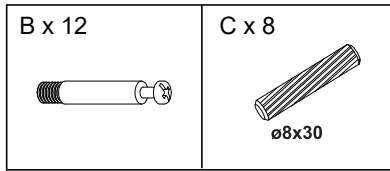
Hardware List

Actual size

<p>A x 21</p>  <p>$\varnothing 15 \times 11$</p>	<p>B x 25</p> 	<p>C x 12</p>  <p>$\varnothing 8 \times 30$</p>
<p>D x 2</p> 	<p>E x 4</p>  <p>$\varnothing 12 \times 11$</p>	<p>F x 4</p>  <p>$\varnothing 3.5 \times 30$</p>
<p>G x 2</p>  <p>M6x70</p>	<p>H x 2</p>  <p>M6x50</p>	<p>I x 2</p>  <p>$\varnothing 3.5 \times 16$</p>
<p>J x 6</p>  <p>M6x30</p>	<p>K x 4</p> 	<p>L x 2</p>  <p>$\varnothing 3 \times 12$</p>
<p>M x 4</p>  <p>$\varnothing 3 \times 16$</p>		

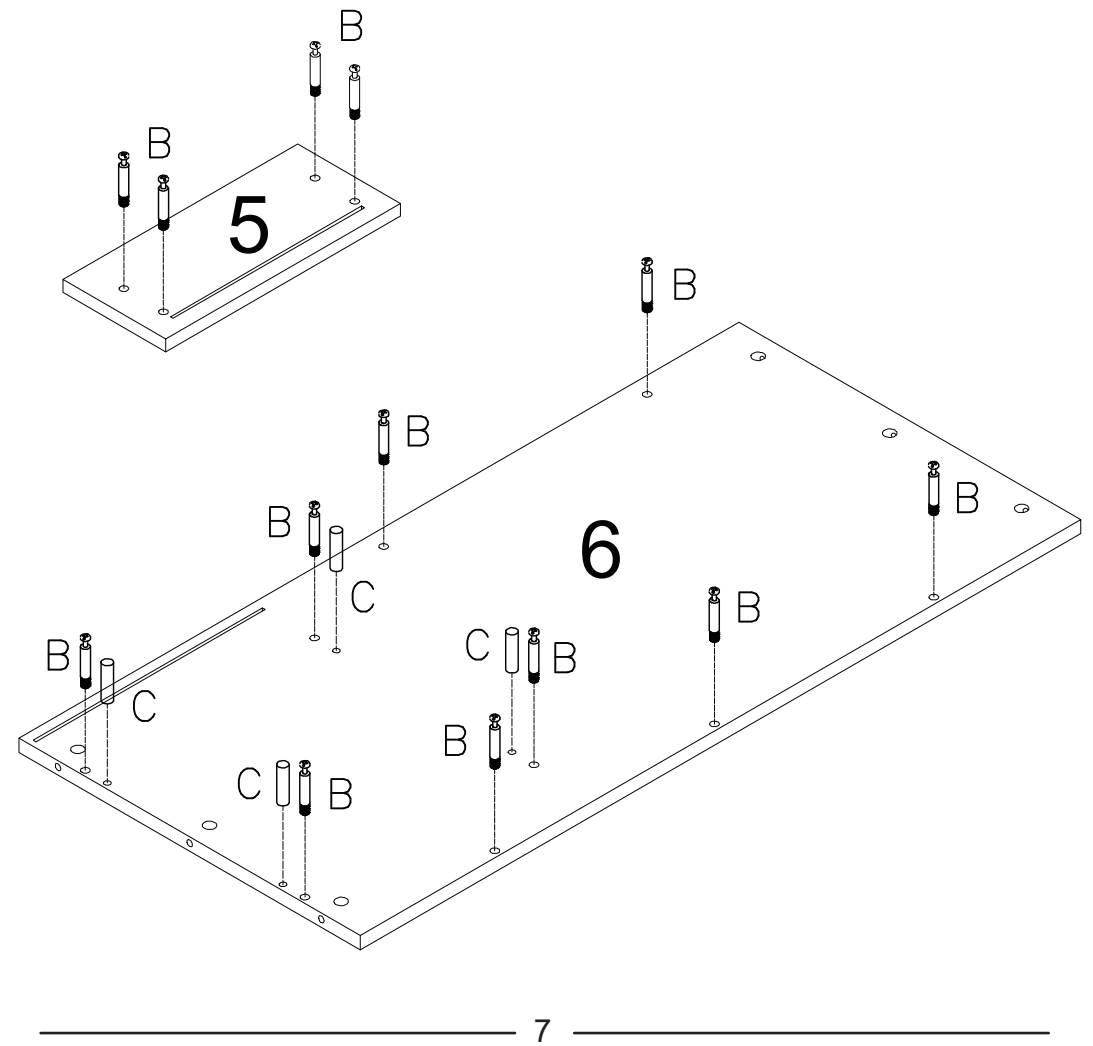
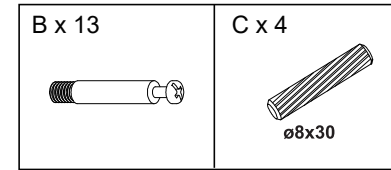
PRODUCT ASSEMBLY

STEP 1



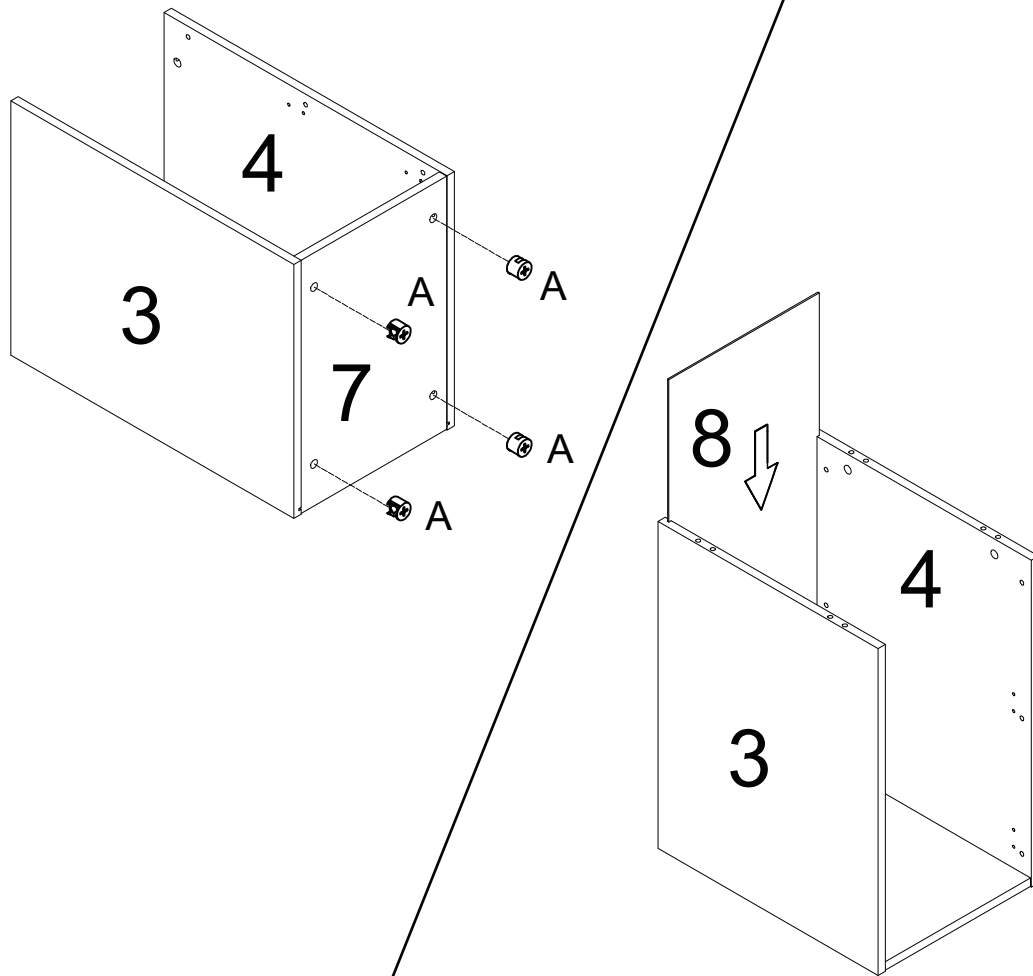
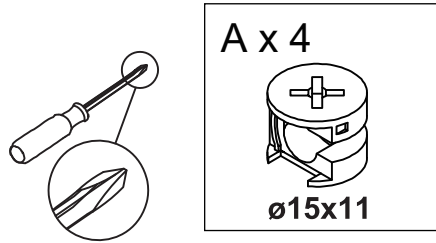
PRODUCT ASSEMBLY

STEP 2



PRODUCT ASSEMBLY

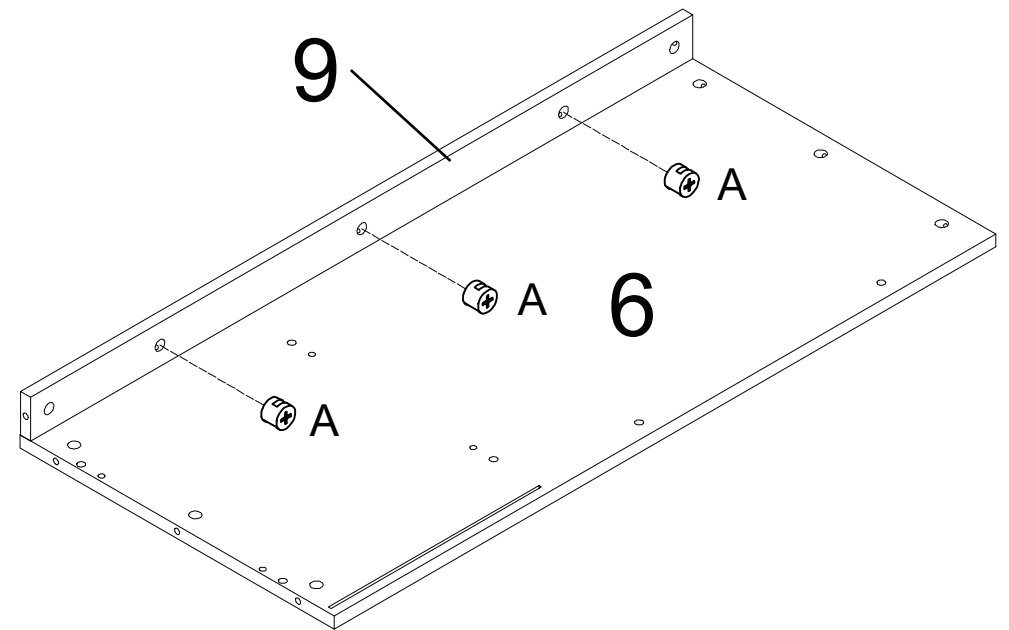
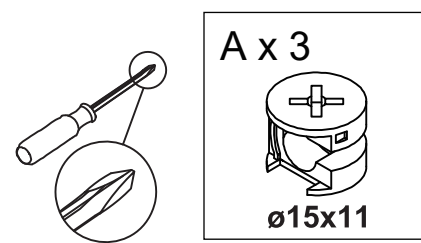
STEP 3



8

PRODUCT ASSEMBLY

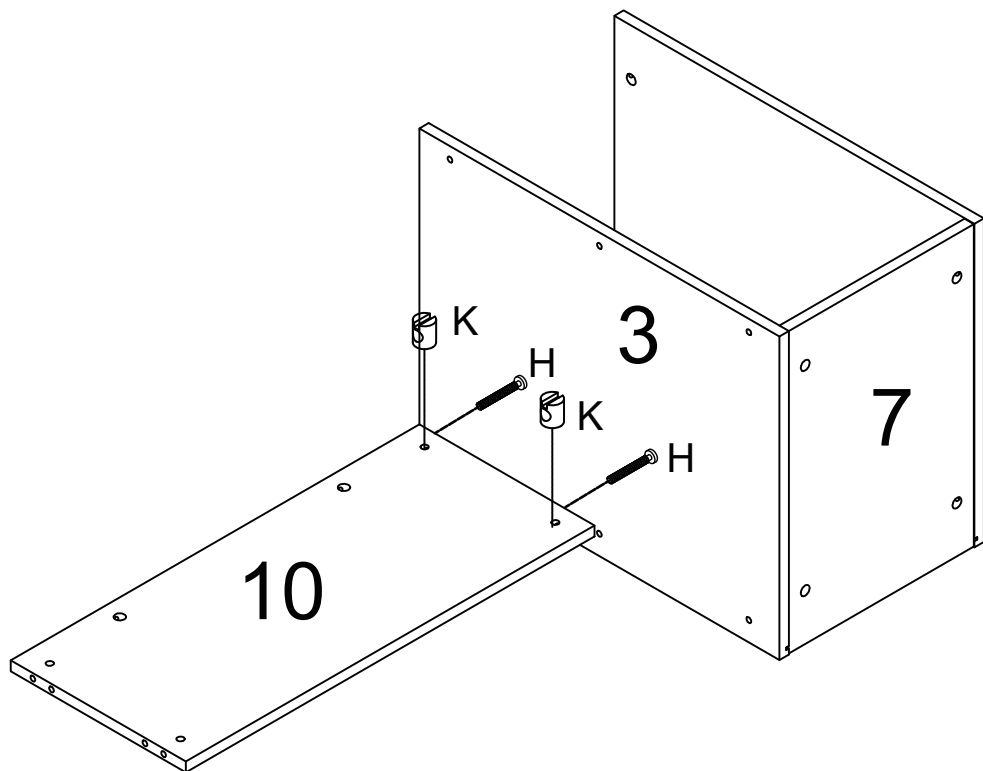
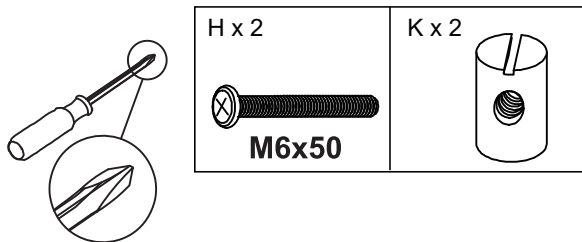
STEP 4



9

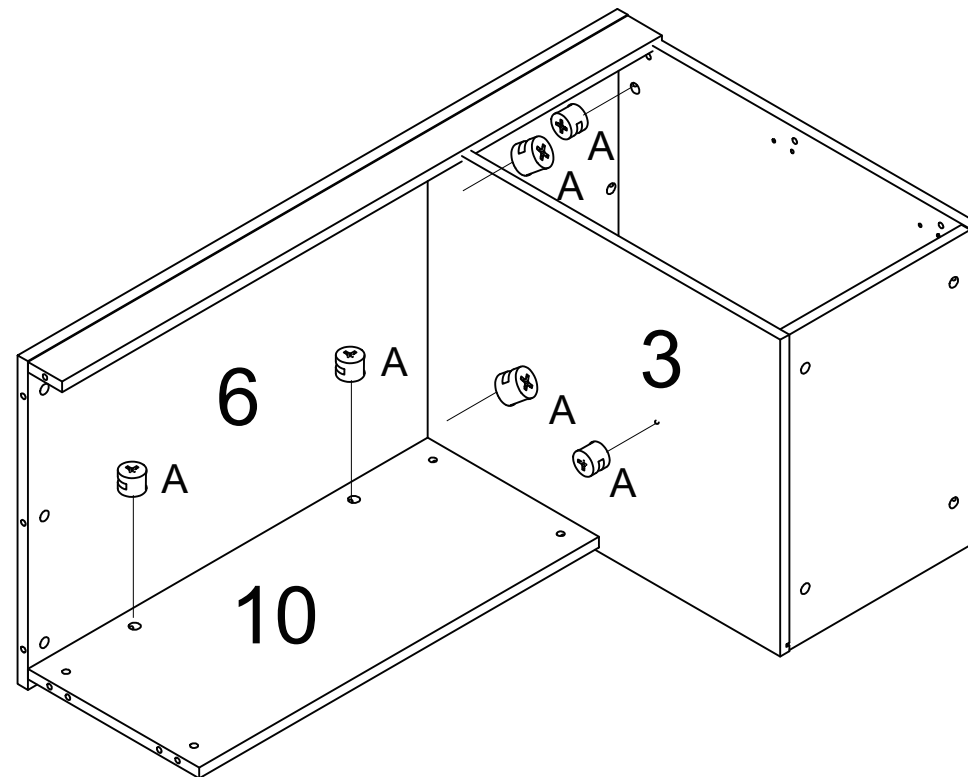
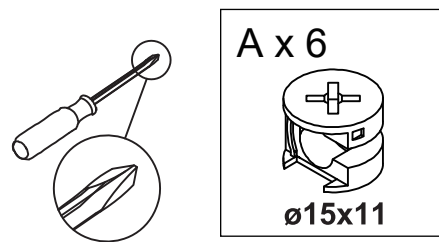
PRODUCT ASSEMBLY

STEP 5



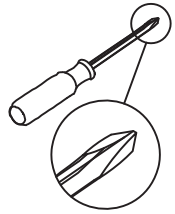
PRODUCT ASSEMBLY

STEP 6

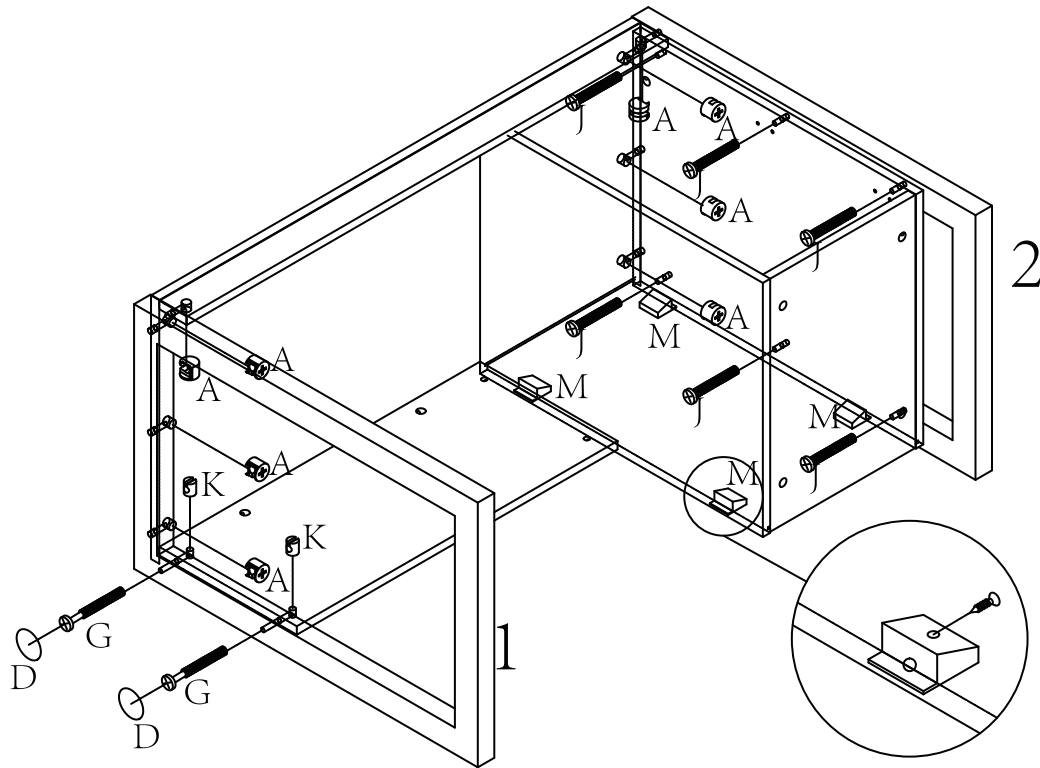


PRODUCT ASSEMBLY

STEP 7



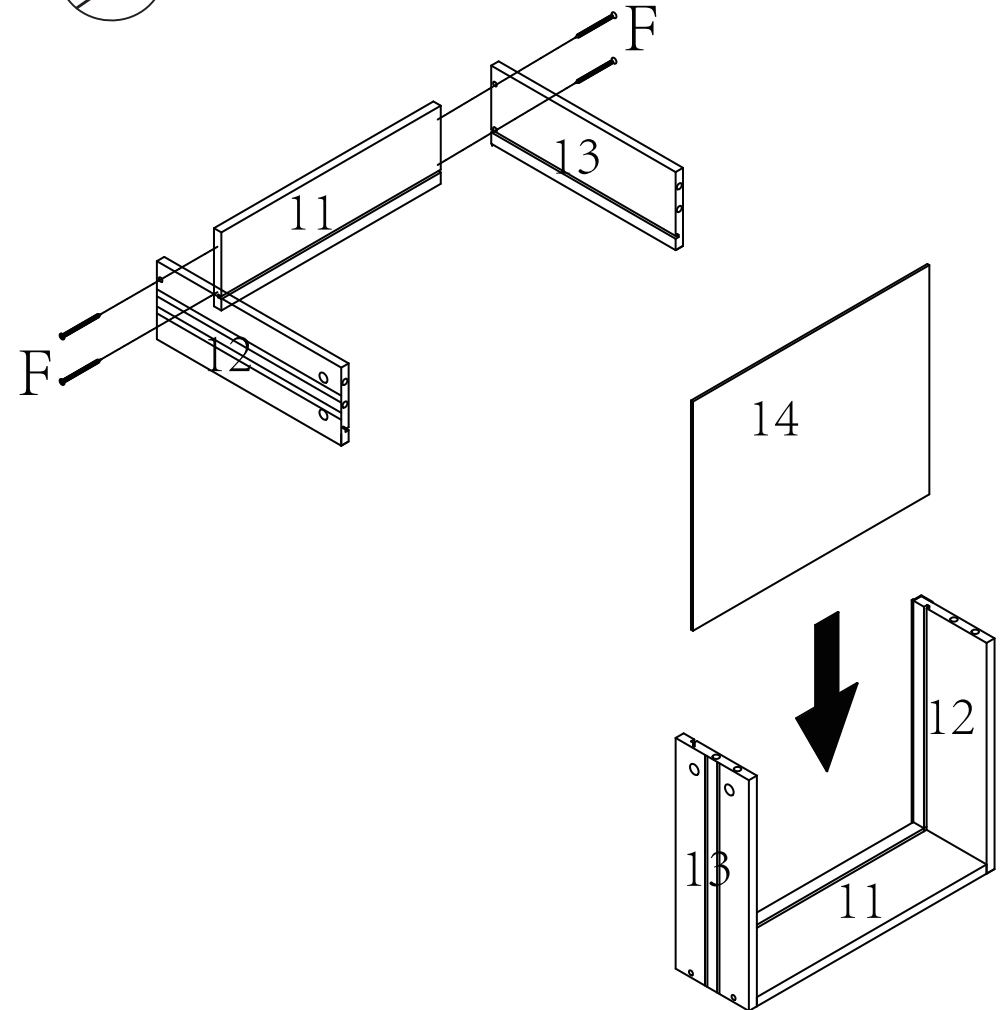
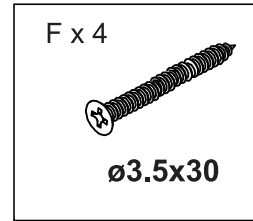
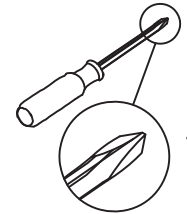
D x 2 	G x 2 M6x70	J x 6 M6x30
K x 2 	M x 4 	A x 8 ø15x11



12

PRODUCT ASSEMBLY

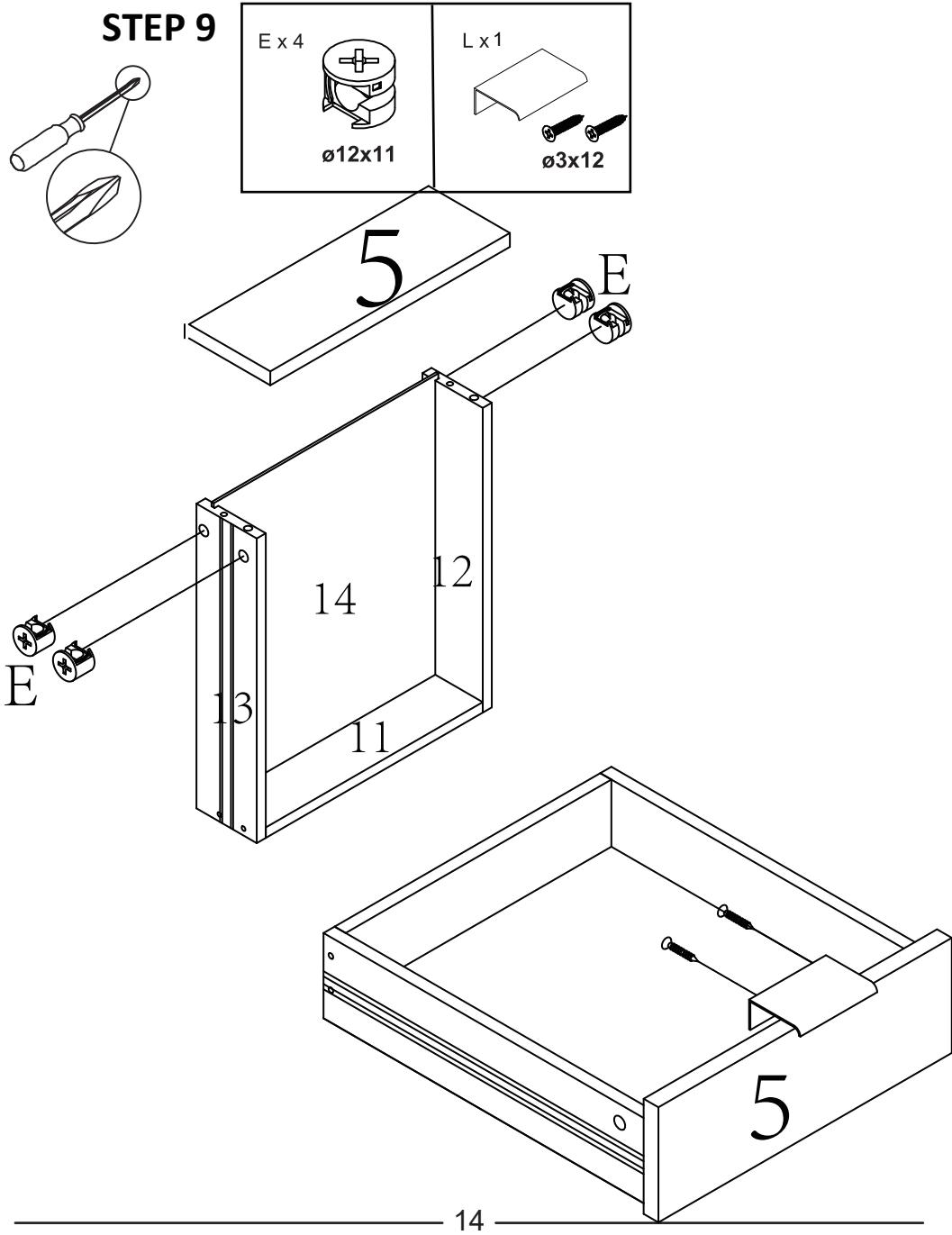
STEP 8



13

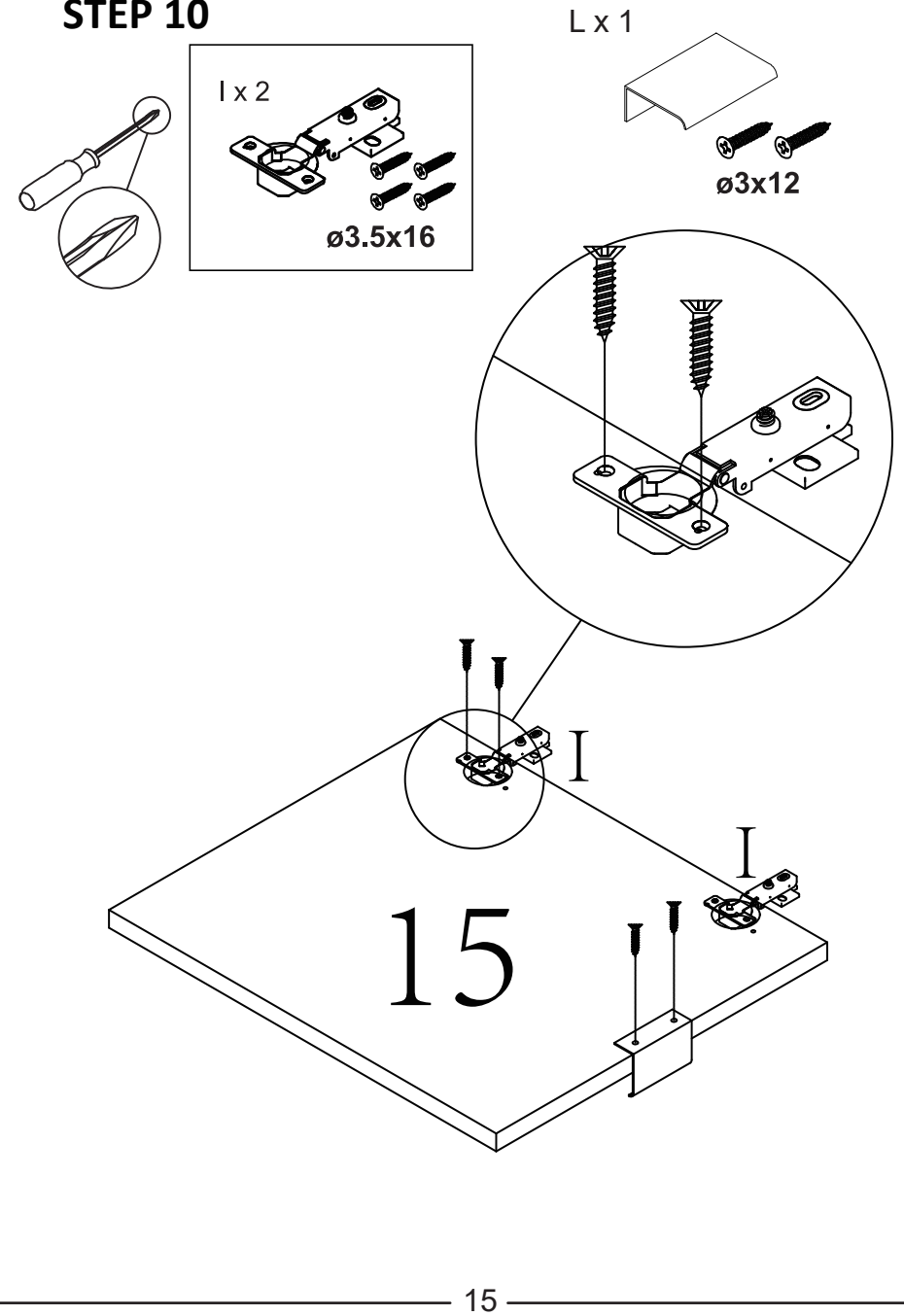
PRODUCT ASSEMBLY

STEP 9



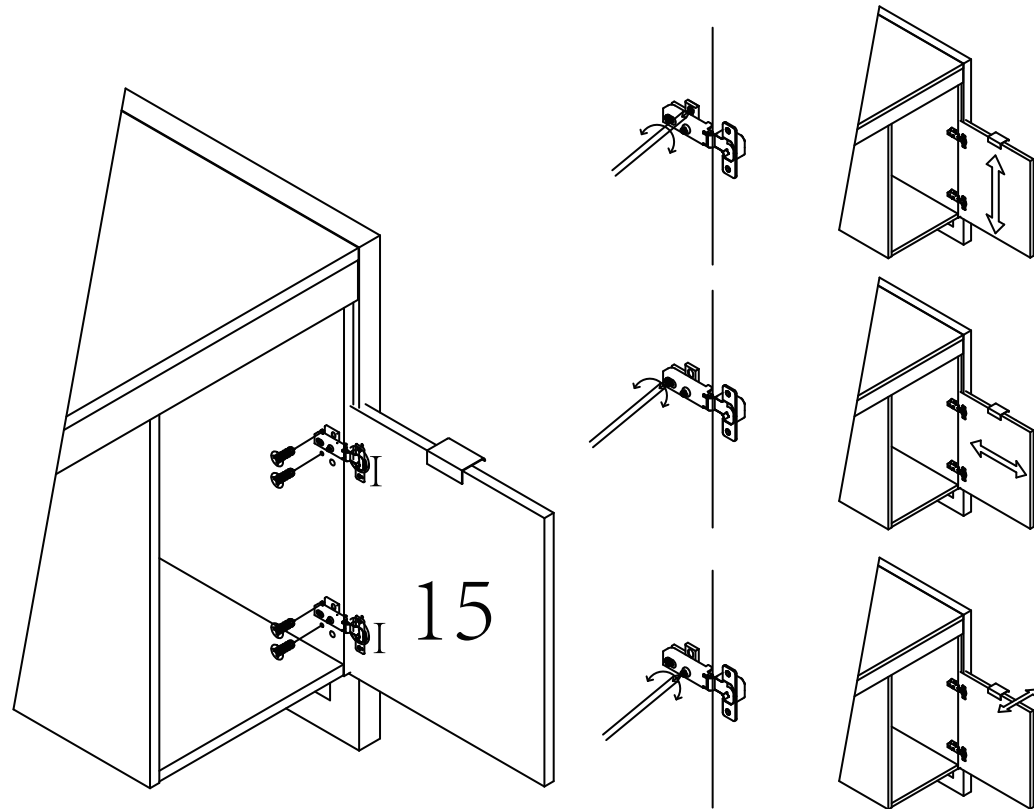
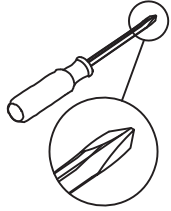
PRODUCT ASSEMBLY

STEP 10



PRODUCT ASSEMBLY

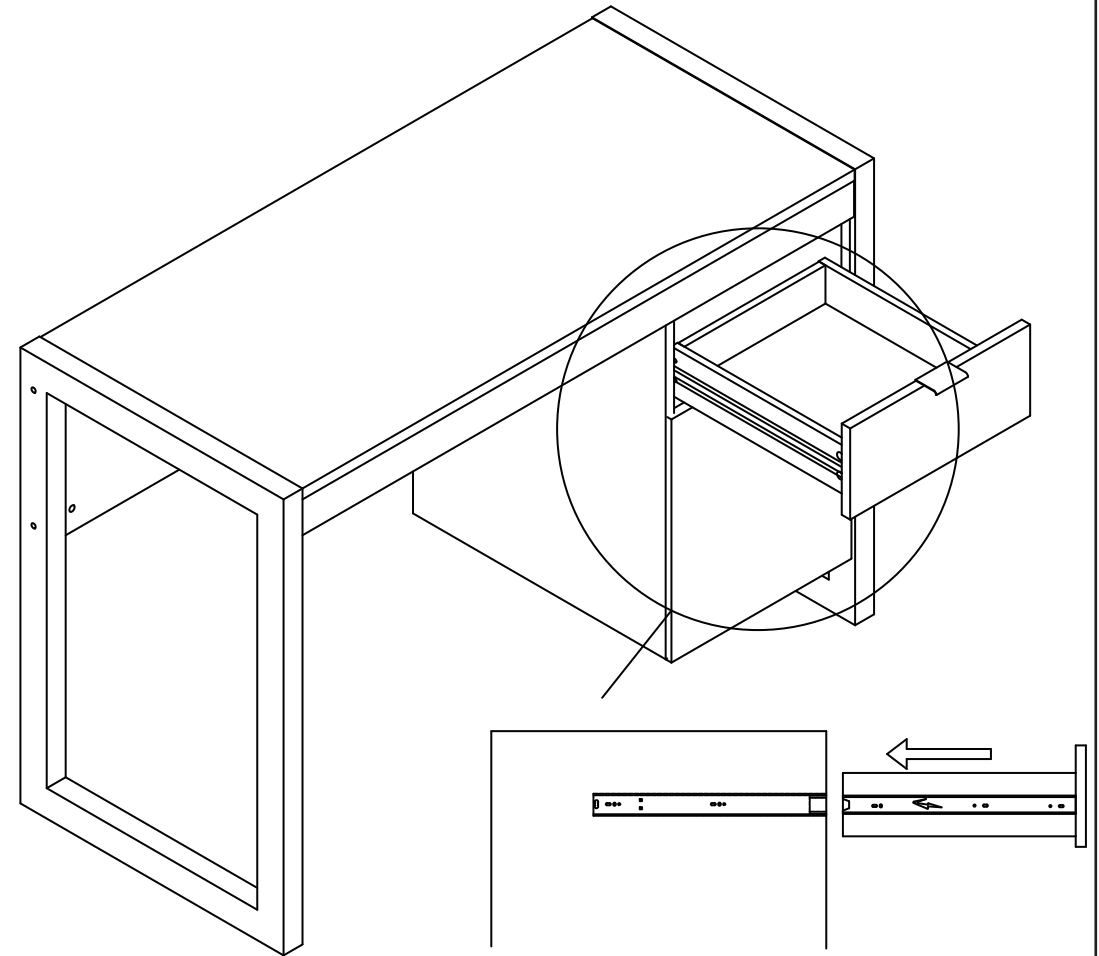
STEP 11



16

PRODUCT ASSEMBLY

STEP 12



17

Care and Maintenance

Use a soft, clean cloth that will not scratch the surface when dusting.

Use of furniture polish is not necessary.

Should you choose to use polish, test first in an inconspicuous area.

Using solvents of any kind on your furniture may damage the finish.

Never use water to clean your furniture as it may cause damage to the finish.

Liquid spills should be removed immediately. Using a soft clean cloth, blot the spill gently. Avoid rubbing.

Check bolts/screws periodically and tighten them if necessary.

Further advice about wood furniture care

It is best to keep your furniture in a climate-controlled environment.

Extreme temperature and humidity changes can cause fading, warping, shrinking and splitting of wood.

It is advised to keep furniture away from direct sunlight as sun may damage the finish.

Proper care and cleaning at home will extend the life of your purchase.

Following these important and helpful tips will enhance your furniture as it ages.

Welcome to visit our website and purchase our quality products!

Your suggestions and comments for COSTWAY are really important to us!
We sincerely solicit you to go back to our shop and leave a good rating in just a simple click. It would be quite encouraging if you could kindly do so like below:

★★★★★ Great products so far

February 24, 2019

Great products so far. Fast delivery, easy setup, and working without any issues.

With your inspiring rating, COSTWAY will be more consistent to offer you
EASY SHOPPING EXPERIENCE, GOOD PRODUCTS and EFFICIENT SERVICE!

US office: Fontana, California

UK office: Ipswich



- * Reward Points
- * Exclusive Customer Service
- * Personalized Recommendations
- * Permanent Shopping Cart
- * Order History

5 Star Rating



We would like to extend our heartfelt thanks to
all of our customers for taking time to assemble
this product and giving us valuable feedbacks.

